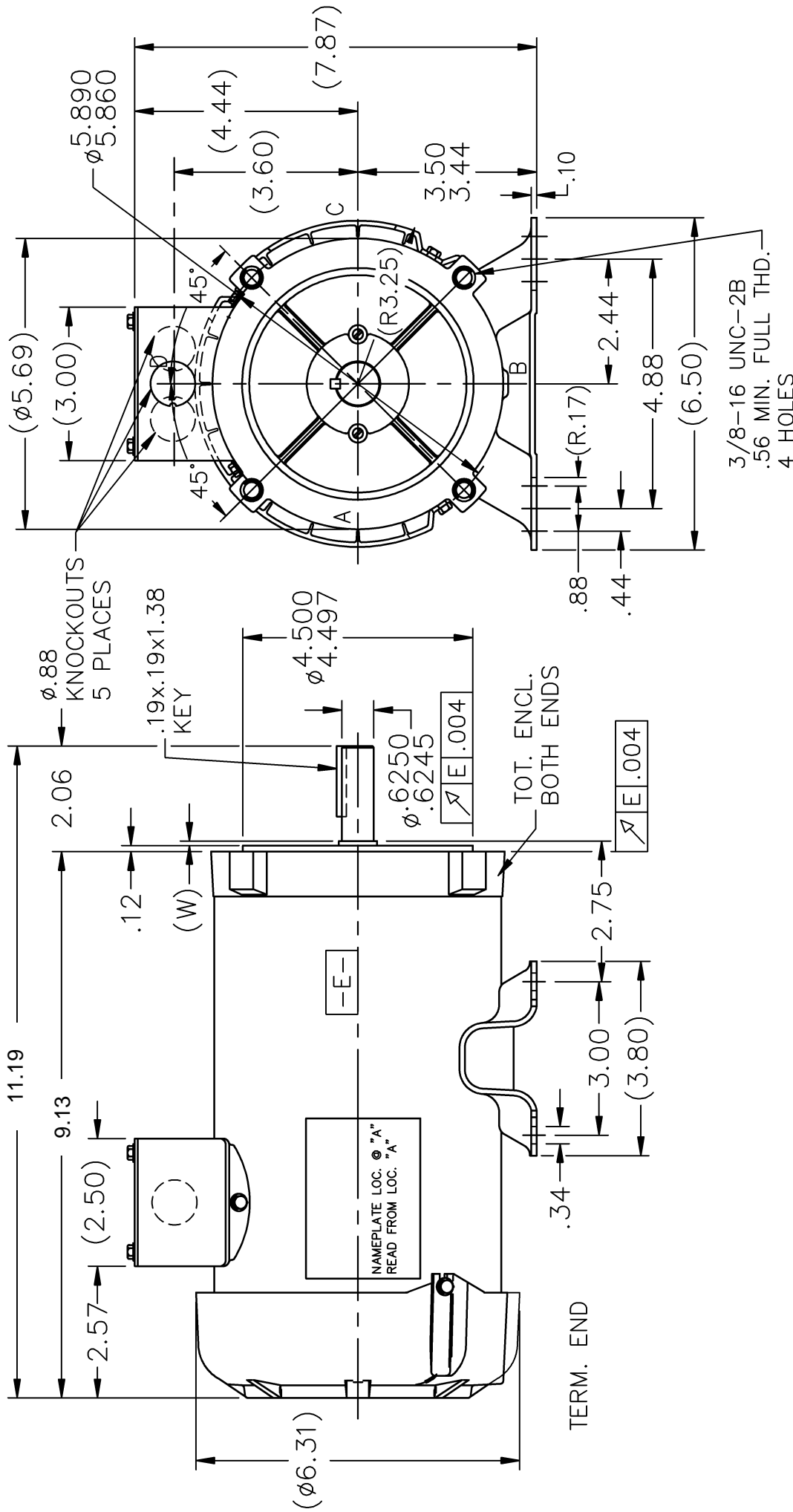


'W' = CLEARANCE ALLOWED FOR ALL VARIANCES IN MANUFACTURING & ASSEMBLY



**Rockwell**  
**Automation**

DRAWN DD 08-27-1993  
CHK ML 08-30-1993  
APPD JAY 08-31-1993

SCALE 11=32  
REF  
FMF  
PREV

TITLE OUTLINE  
MATERIAL FINISH  
CAD FILE ss75928

NO.	REVISION	BY & DATE	CHK	ANG	DIST	WP
3	REDRAWN IN AUTOCAD	TAT 07-06-2004	ML	XX	±.03	RFP
2	REVISED NAMEPLATE LOCATION	NJS 02-19-2002	DRS	XXX	±.005	DIST
1	NEW DRAWING	NJS 02-19-2002	ML	XXXX	±.0005	

THIS DRAWING IN DESIGN AND DETAIL IS OUR PROPERTY AND MUST NOT BE USED EXCEPT IN CONNECTION WITH OUR WORK. ALL RIGHTS OF DESIGN AND INVENTION ARE RESERVED. THIS IS AN ELECTRONICALLY GENERATED DOCUMENT - DO NOT SCALE THIS PRINT

DRAWING NO. SS75928  
PAGE OF 3  
REV. 3