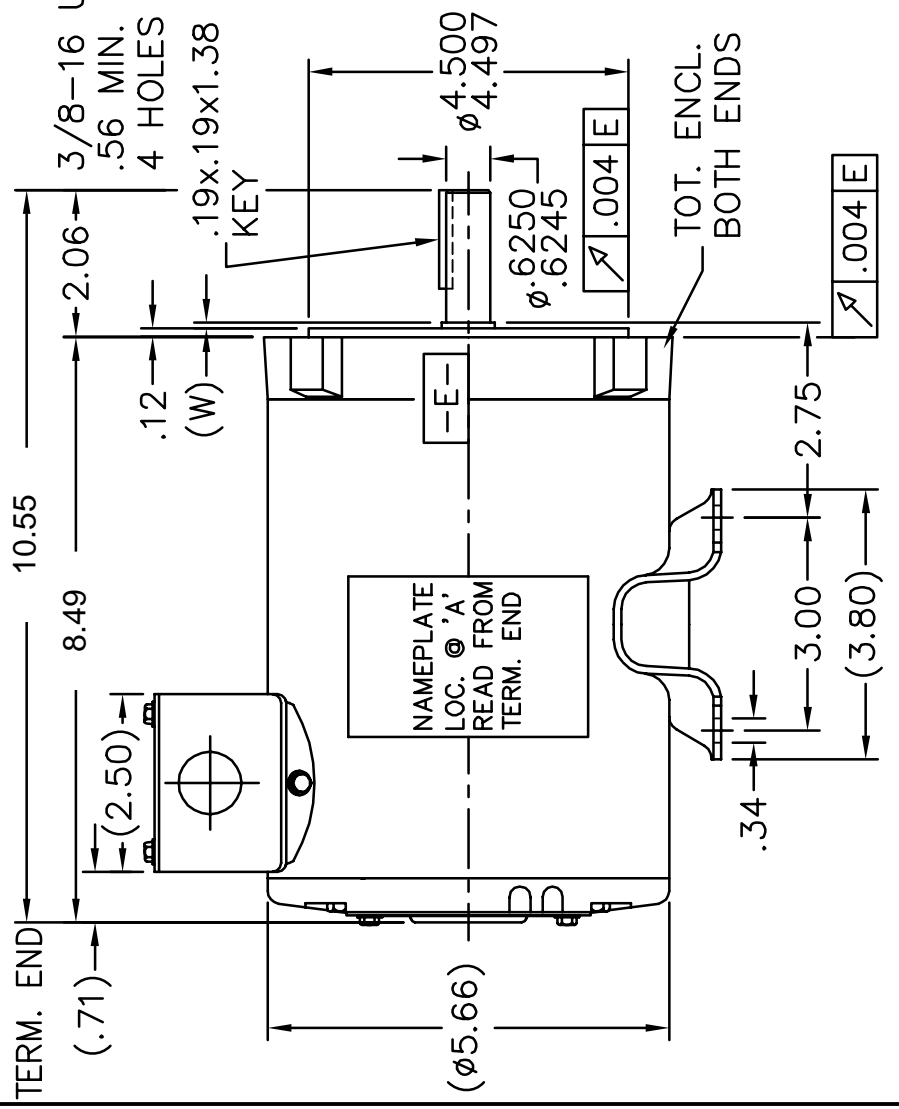
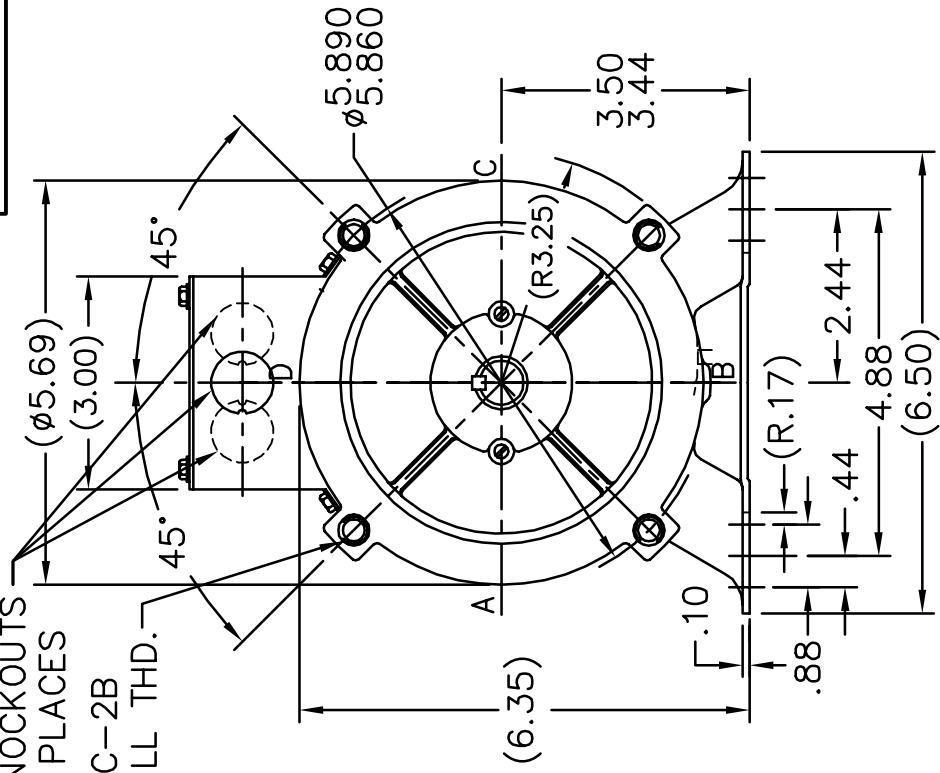


'W' = CLEARANCE ALLOWED FOR ALL VARIANCES
IN MANUFACTURING & ASSEMBLY

SS403204



0.88
KNOCKOUTS
5 PLACES
UNC-2B
FULL THD.



| | | |
|--|--|---|
| | | DRAWN TJB 01-14-2002 CHK DRS 01-29-2002 APPD TOM 01-30-2002 |
| | | SCALE 3=8 REF FMF PREV |
| TITLE OUTLINE 56 FRAME | | MATL. FINISH |
| CAD FILE ss403204 | | DRAWING NO. SS403204 PAGE OF 2 |
| THIS DRAWING IN DESIGN AND DETAIL IS OUR PROPERTY AND MUST NOT BE USED EXCEPT IN CONNECTION WITH OUR WORK ALL RIGHTS OF DESIGN AND INVENTION ARE RESERVED THIS IS AN ELECTRONICALLY GENERATED DOCUMENT - DO NOT SCALE THIS PRINT | | SIZE A |
| BY & DATE TAT 06-24-2005 TJB 01-30-2002 | | REVISION 1 NEW DRAWING CN 34675 |
| UNLESS SPECIFIED DEC. INCHES .X ±.1 .XX ±.03 .XXX ±.005 .XXXX ±.0005 | | TOLERANCES UNLESS SPECIFIED DEC. INCHES .X ±.1 .XX ±.03 .XXX ±.005 .XXXX ±.0005 |
| RFP DIST WP | | CHK ANG ±750° |