

Rockwell
Automation



Allen-Bradley

Product Information Packet

Rockwell Automation

CM224-XV01518AXZCA

15HP,1800RPM,3PH,60HZ,256TC,EPNV

CM224-XV01518AXZCA

Motor Family

Torque Speed

Enclosure Code

Horsepower Load Type

Temp Rating Mount Type

Insulation Start Type

Duty Design Frame

Model # Y984

Voltage Usable at 208V

Base Speed Amps

CHP Speed Max Speed

Conduit Box Location Service Factor

Bearing Type: ODE Bearing

Grease DE Bearing

OPTIONS

Encoder PPR Tachometer Tach Voltage

Heater Blower Voltage

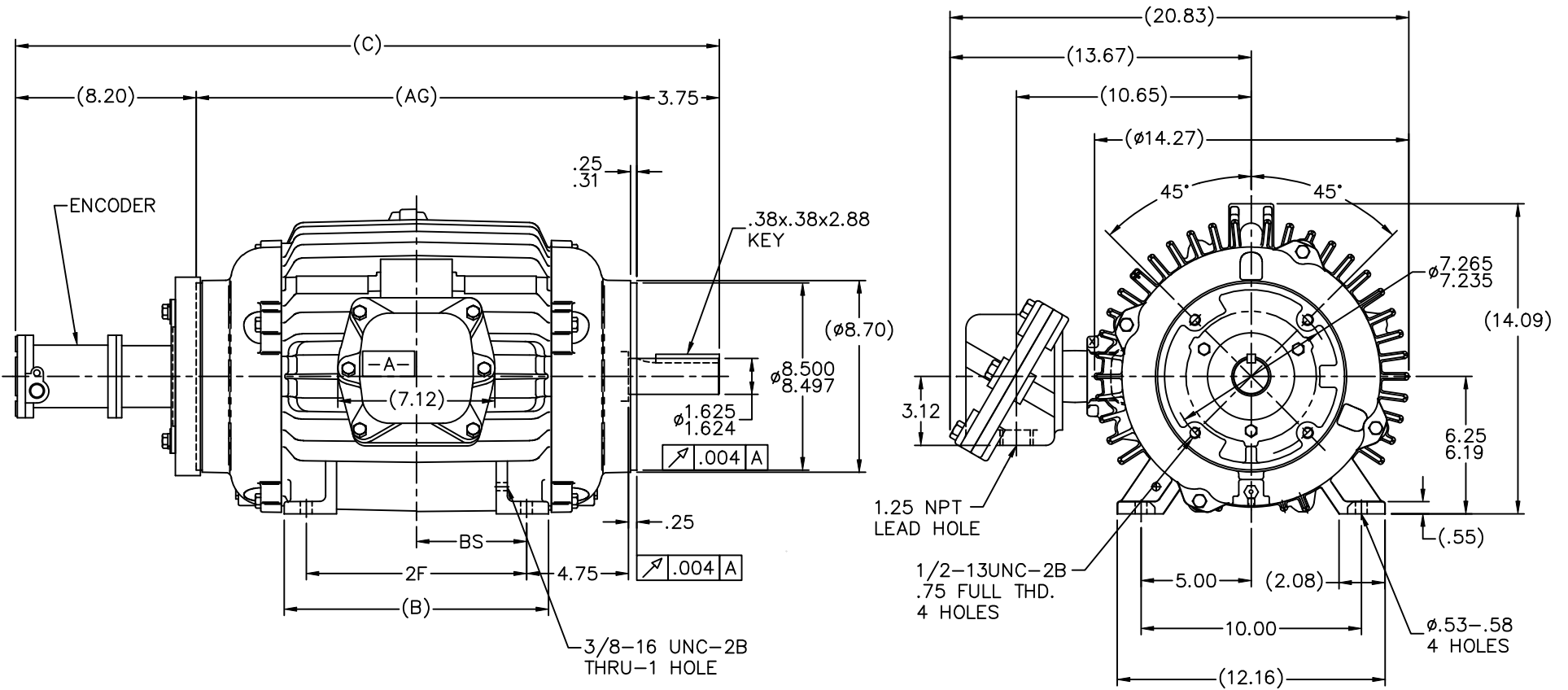
Holding Brake Ft. Lbs Coil Voltage Thermostats

Winding RTD'S Bearing RTD'S Ohms Type

Performance Data:

% of Rated Load	Efficiency	Power Factor	Amps
No Load			14.2 / 7.1
1/2 Load	91.7	67.5	
3/4 Load	92.4	78.5	
Full Load	93.0	85.0	36 / 18

Hazardous Location	
Division	I
Class	I and II
Group	CD, FG
Temp Code	T3B

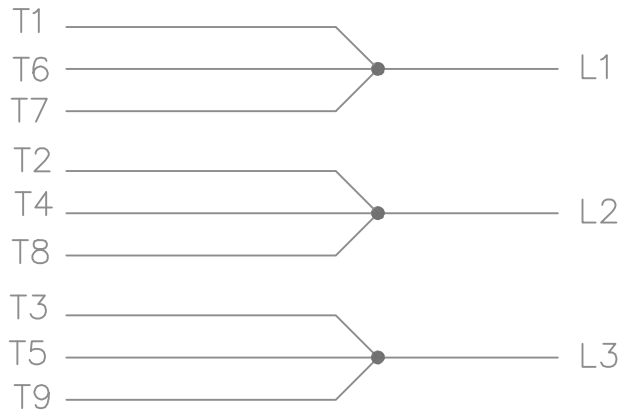


- NOTES:
 1. BOX CAN ONLY BE ROTATED CLOCKWISE UP TO 270' FROM ITS ORIGINAL POSITION.
 2. NAMEPLATE TO BE READ FROM C'BOX SIDE OF MOTOR.

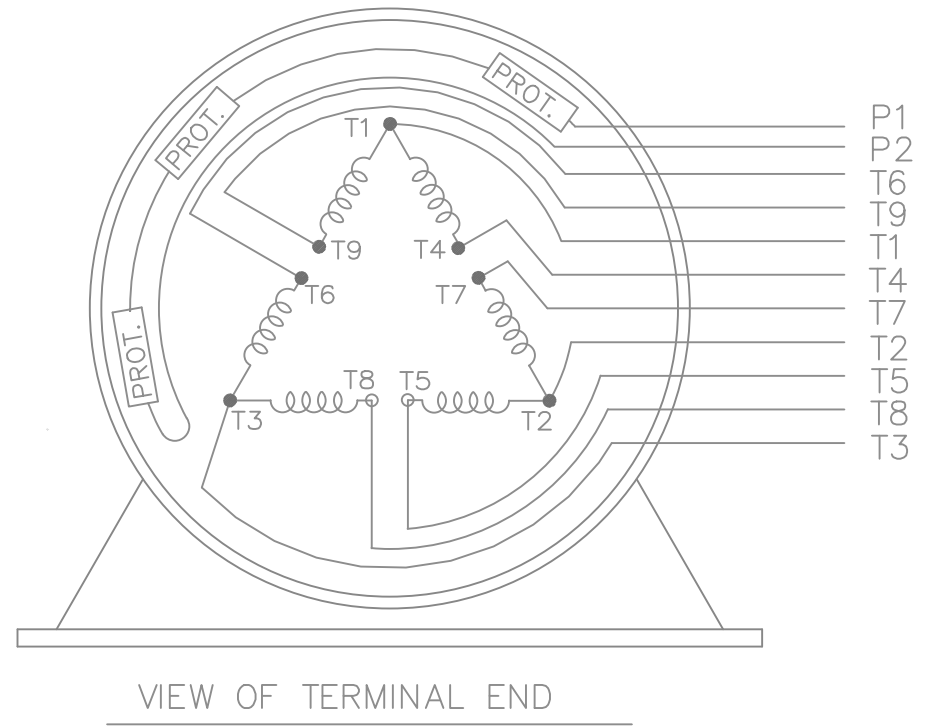
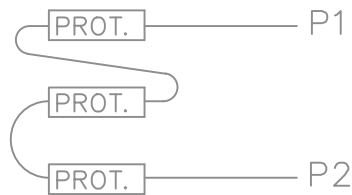
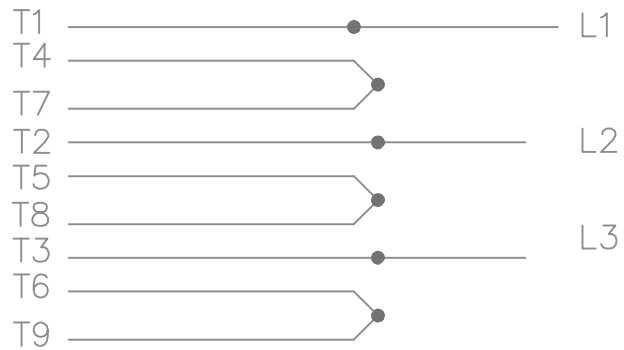
1225	256TC	31.95	20.00	12.00	10.00	5.00
DASH	FRAME	C	AG	B	2F	BS

				TOLERANCES UNLESS SPECIFIED		Rockwell Automation Allen-Bradley		DRAWN MJD 03-06-2000	
				DEC.	INCHES			CHK	ML 03-07-2000
				.X	±.1			APPD	DR 03-07-2000
				.XX	±.03	TITLE OUTLINE - BEI HS38 ENCODER 250T FR. - EXP. PR. - TGN - 'C' FACE		SCALE 7=32	
2	REDRAWN IN AUTOCAD	TAT	06-24-2005	DRS	.XXX	±.005			REF
1	NEW DRAWING MU29397	MJD	03-07-2000		.XXXX	±.0005	MAT'L		FMF
NO.	REVISION	BY & DATE		CHK	ANG	±7'30"	FINISH		PREV
THIS DRAWING IN DESIGN AND DETAIL IS OUR PROPERTY AND MUST NOT BE USED EXCEPT IN CONNECTION WITH OUR WORK ALL RIGHTS OF DESIGN AND INVENTION ARE RESERVED THIS IS AN ELECTRONICALLY GENERATED DOCUMENT - DO NOT SCALE THIS PRINT								RFP	CAD FILE ss203518
								SIZE	DRAWING NO. PAGE OF REV.
								B	SS203518 2

LOW VOLTAGE



HIGH VOLTAGE



VIEW OF TERMINAL END

WHEN MORE THAN ONE PROT. IS USED; PROT. ARE CONNECTED IN SERIES

				TOLERANCES UNLESS SPECIFIED			DRAWN MJD 12-19-1997
				DEC.	INCHES		CHK ML 01-07-1998
				.X	±.1		APPD GK 01-07-1998
				.XX	±.02		SCALE
8	HIGH VOLT. SCHEMATIC WAS L1, L3 & L3	CN 32724	DRS 06-12-2004	ML	.XXX ±.005	TITLE CONNECTION DIAGRAM 3φ - WITH PROTECTORS	REF
7	REDRAWN ON CADD		MJD 01-07-1998		.XXXX ±.0005	MAT'L.	FMF
NO.	REVISION		BY & DATE	CHK	ANG ±7'30"	FINISH	PREV
THIS DRAWING IN DESIGN AND DETAIL IS OUR PROPERTY AND MUST NOT BE USED EXCEPT IN CONNECTION WITH OUR WORK ALL RIGHTS OF DESIGN AND INVENTION ARE RESERVED THIS IS AN ELECTRONICALLY GENERATED DOCUMENT - DO NOT SCALE THIS PRINT				RFP		CAD FILE ee7308ad	SIZE DRAWING NO. PAGE OF REV.
				DIST	WA-LB	A	EE7308AD 8