

MODEL	L1	L2	L3
430	175 [6.90]	110 [4.31]	150 [5.89]

PIN-OUT	
POWER CONNECTOR	
PIN	FUNCTION
A	U
B	V
C	W
D	GND
E-H	-
L	-

PIN-OUT	
ENCODER CONNECTOR	
PIN	FUNCTION
1	SIN +
2	SIN -
3	COS +
4	COS -
5	DATA +
6	DATA -
7-8	-
9-10	-
11	EPWR 9V
12	ECOM
13	TS +
14	TS -
15-17	-

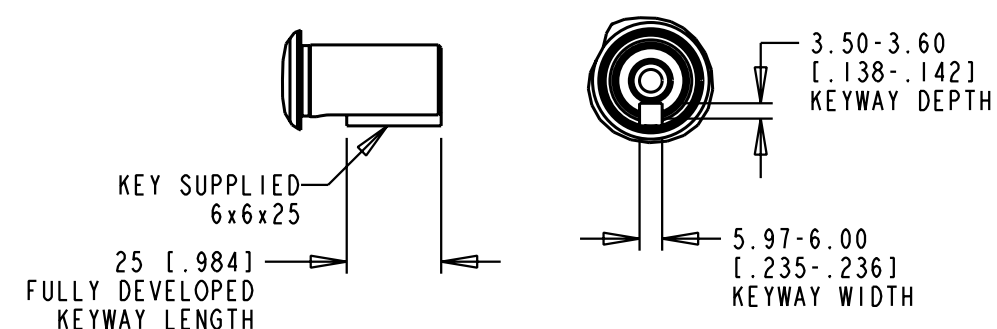
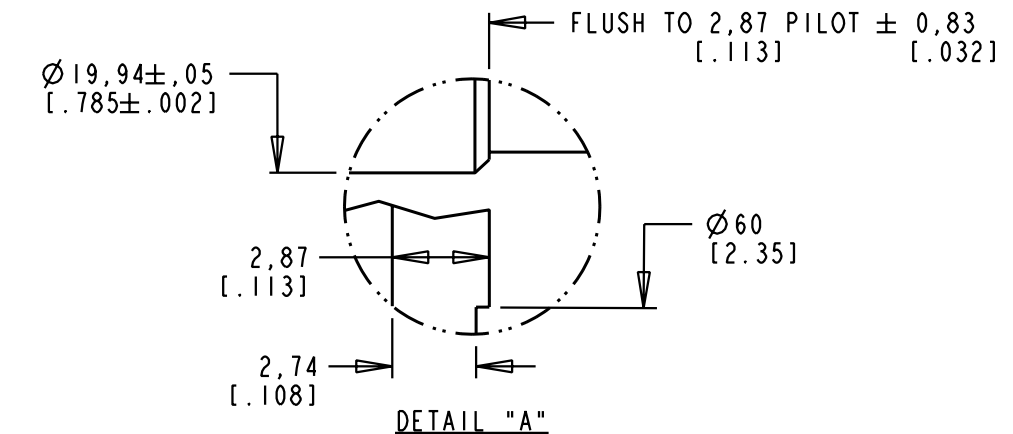
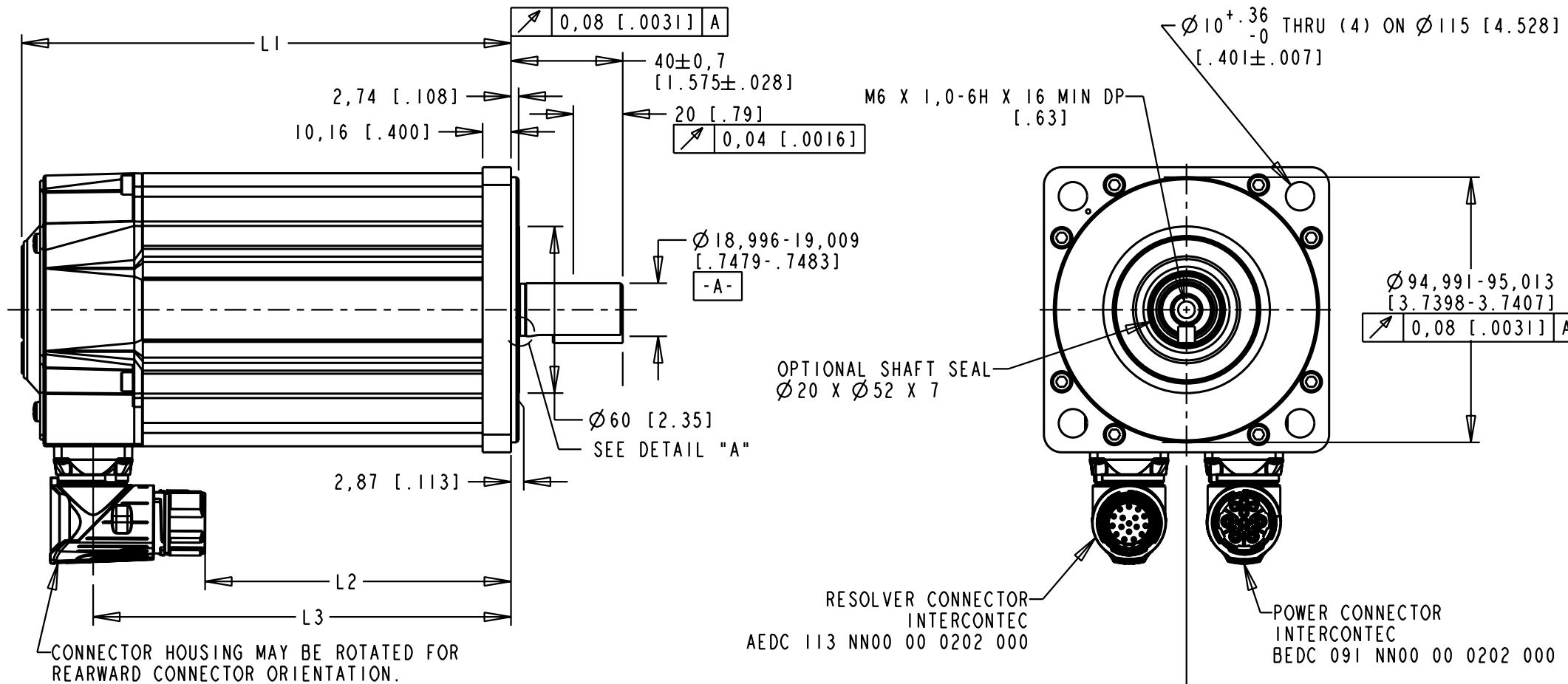
NOTE:



1 MODEL SHOWN IS MPF-x430x-xJ72BA.

2. 3D STEP (.stp) FILES AVAILABLE AT ALL LENGTHS.

3. COVERS SINGLE AND MULTI-TURN ABSOLUTE ENCODER 460V MODELS (i.e., MPF-B4xxx-MJ72BA and MPF-B4xxx-SJ72BA).



REFERENCES		DESCRIPTION	CAD DOCUMENT	
VERSION/ CHANGE NUMBER	UNLESS OTHERWISE SPECIFIED DO NOT SCALE DRAWING DIMENSIONS ARE IN MILLIMETERS WITH INCHES REFERENCED [X] UNTOLERANCED DIMENSIONS ARE REFERENCE 3RD ANGLE PROJECTION	MPF-B4xxx-xJ72BA, ESM	Allen-Bradley	
00	10005711	Rockwell Automation		
		DR. D. HECKSEL	DATE 05/27/08	SHEET 1 OF 1
		DXF 2D OR STEP 3D FILE AVAILABLE		DWG. SIZE B
				DOCUMENT NUMBER 10000020829