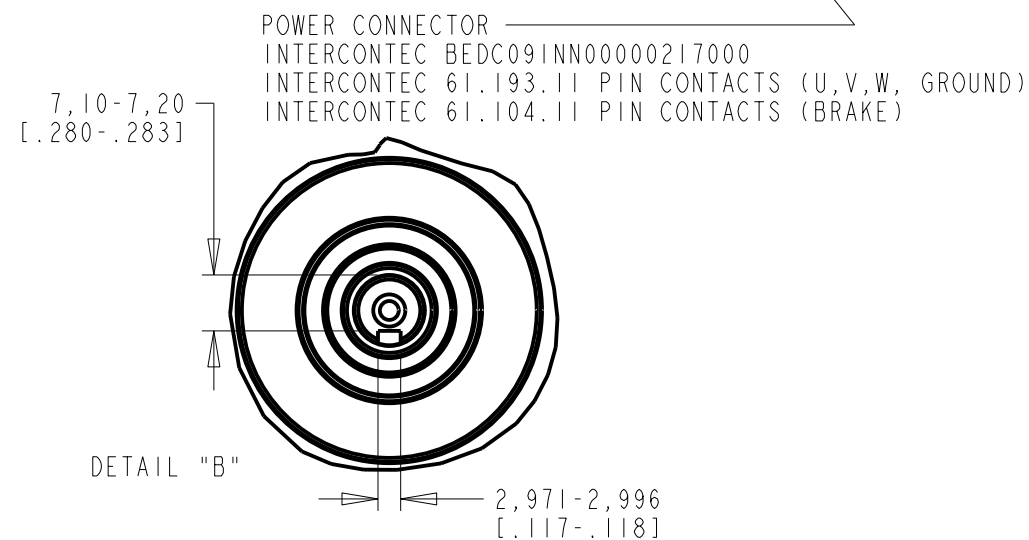
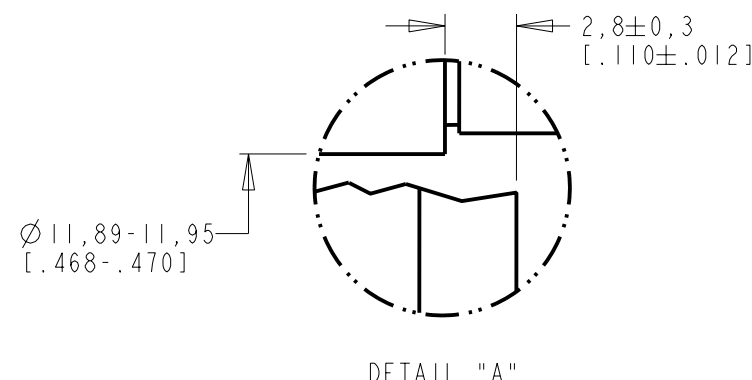


MODEL	LB	LD	LE
MPL-A1510	150 [5.89]	112 [4.41]	71,6 [2.82]
MPL-A1520	162,6 [6.40]	124,9 [4.92]	84,5 [3.33]
MPL-A1530	188 [7.40]	150 [5.90]	109,5 [4.31]



NOTE:  
 1. DXF FILE OF THIS DRAWING MUST BE SCALED TO LENGTH, SEE CHART ABOVE. MODEL SHOWN IS MPL-A1520x-xJ74AA.

2. 3D STEP (.stp) FILES AVAILABLE AT ALL LENGTHS.

3. THIS DRAWING COVERS SINGLE AND MULTI-TURN ABSOLUTE ENCODER MODELS (i.e., MPL-A15xxx-EJ74AA and MPL-A15xxx-VJ74AA).

PIN-OUT		ENCODER CONNECTOR	
PIN	FUNCTION	PIN	FUNCTION
A	U	1	SIN +
B	V	2	SIN -
C	W	3	COS +
⊕	GROUND	4	COS -
E	-	5	DATA +
F	MBR+	6	DATA -
G	MBR-	7-8	-
H	-	9	EPWR 5V
L	-	10	ECOM
		11-12	-
		13	TS +
		14	TS -
		15-17	-

<b>Rockwell Automation</b>		CONFIDENTIAL AND PROPRIETARY INFORMATION. THIS DOCUMENT CONTAINS CONFIDENTIAL AND PROPRIETARY INFORMATION OF ROCKWELL AUTOMATION, INC. AND MAY NOT BE USED, COPIED OR DISCLOSED TO OTHERS, EXCEPT WITH THE AUTHORIZED WRITTEN PERMISSION OF ROCKWELL AUTOMATION, INC.	
<b>ESM,MPL-A15xxx-EJ74AA;MPL-A15xxx-VJ74AA</b>		Sheet 1 Of 1	
Drawn by: SAJOHNSON	Date: 08-06-10	Size <b>B</b>	Ver <b>10000128119</b> <b>00</b>