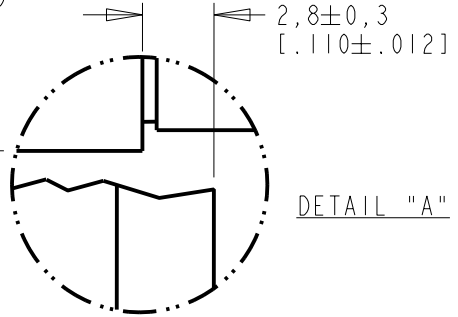
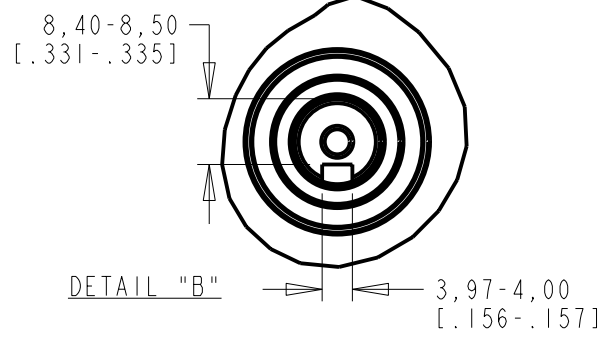


CONNECTOR HOUSINGS MAY BE ROTATED FOR REARWARD CONNECTOR ORIENTATION



POWER CONNECTOR  
INTERCONTEC BEDC09INN00000217000  
INTERCONTEC 61.193.11 PIN CONTACTS (U,V,W, GROUND)

ENCODER CONNECTOR  
INTERCONTEC AEDC113NN00000222000  
INTERCONTEC 61.004.11 PIN CONTACTS



MODEL	LB	LD	LE
MPL-A210	114,6 [4.51]	78,6 [3.09]	38,4 [1.51]
MPL-A220	140,1 [5.52]	104,1 [4.10]	63,9 [2.52]
MPL-A230	165,6 [6.52]	129,6 [5.10]	89,4 [3.52]

PIN-OUT		PIN-OUT	
PIN	FUNCTION	PIN	FUNCTION
A	U	1	SIN +
B	V	2	SIN -
C	W	3	COS +
⊕	GROUND	4	COS -
E-H	-	5	DATA +
L	-	6	DATA -
		7-8	-
		9	EPWR 5V
		10	ECOM
		11-12	-
		13	TS +
		14	TS -
		15-17	-

NOTE:  
1. DXF FILE OF THIS DRAWING MUST BE SCALED TO LENGTH, SEE CHART ABOVE. MODEL SHOWN IS MPL-A220x-xJ72AA.  
2. 3D STEP (.stp) FILES AVAILABLE AT ALL LENGTHS.  
3. THIS DRAWING COVERS SINGLE AND MULTI-TURN ABSOLUTE ENCODER MODELS (i.e.. MPL-A2xx-EJ72AA and MPL-A2xxx-VJ72AA).

**ESM,MPL-A2xxx-EJ72AA;MPL-A2xxx-VJ72AA**

Drawn by: SAJOHNSON      Date: 08-12-10

CONFIDENTIAL AND PROPRIETARY INFORMATION. THIS DOCUMENT CONTAINS CONFIDENTIAL AND PROPRIETARY INFORMATION OF ROCKWELL AUTOMATION, INC. AND MAY NOT BE USED, COPIED OR DISCLOSED TO OTHERS, EXCEPT WITH THE AUTHORIZED WRITTEN PERMISSION OF ROCKWELL AUTOMATION, INC.

Sheet 1 Of 1

Size	Ver
<b>B</b>	<b>00</b>