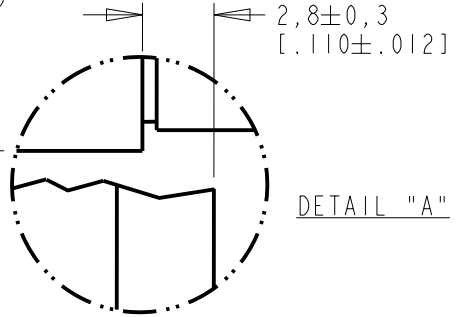


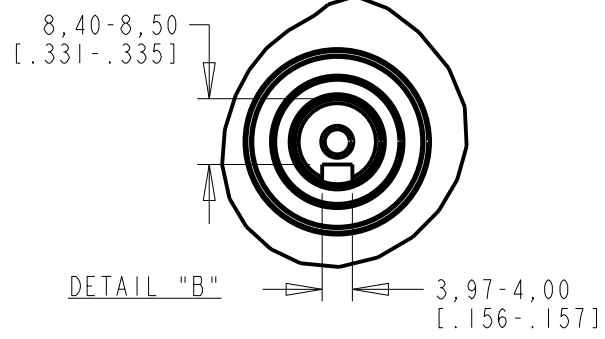
CONNECTOR HOUSINGS MAY BE ROTATED FOR REARWARD CONNECTOR ORIENTATION



0°±10° SHAFT KEYWAY ORIENTATION FOR ENCODER ABSOLUTE POSITION = 0

POWER CONNECTOR
INTERCONTEC BEDC09INN00000217000
INTERCONTEC 61.193.11 PIN CONTACTS (U,V,W, GROUND)

ENCODER CONNECTOR
INTERCONTEC AEDC113NN00000222000
INTERCONTEC 61.004.11 PIN CONTACTS



MODEL	LB	LD	LE
MPL-B210	114,6 [4.51]	78,6 [3.09]	38,4 [1.51]
MPL-B220	140,1 [5.52]	104,1 [4.10]	63,9 [2.52]
MPL-B230	165,6 [6.52]	129,6 [5.10]	89,4 [3.52]

PIN-OUT	
POWER CONNECTOR	
PIN	FUNCTION
A	U
B	V
C	W
⊕	GROUND
E-H	-
L	-

PIN-OUT	
ENCODER CONNECTOR	
PIN	FUNCTION
1	SIN +
2	SIN -
3	COS +
4	COS -
5	DATA +
6	DATA -
7-10	-
11	EPWR 9V
12	ECOM
13	TS +
14	TS -
15-17	-

NOTE:

1. DXF FILE OF THIS DRAWING MUST BE SCALED TO LENGTH, SEE CHART ABOVE. MODEL SHOWN IS MPL-B220x-xJ72AA.
2. 3D STEP (.stp) FILES AVAILABLE AT ALL LENGTHS.
3. THIS DRAWING COVERS SINGLE AND MULTI-TURN ABSOLUTE ENCODER MODELS (i.e.. MPL-B2xx-EJ72AA and MPL-B2xxx-VJ72AA).

Rockwell Automation

CONFIDENTIAL AND PROPRIETARY INFORMATION. THIS DOCUMENT CONTAINS CONFIDENTIAL AND PROPRIETARY INFORMATION OF ROCKWELL AUTOMATION, INC. AND MAY NOT BE USED, COPIED OR DISCLOSED TO OTHERS, EXCEPT WITH THE AUTHORIZED WRITTEN PERMISSION OF ROCKWELL AUTOMATION, INC.

ESM,MPL-B2xxx-EJ72AA;MPL-B2xxx-VJ72AA

Sheet 1 Of 1

Drawn by: SAJOHNSON

Date: 08-12-10

Size	Ver
B	00

10000128168