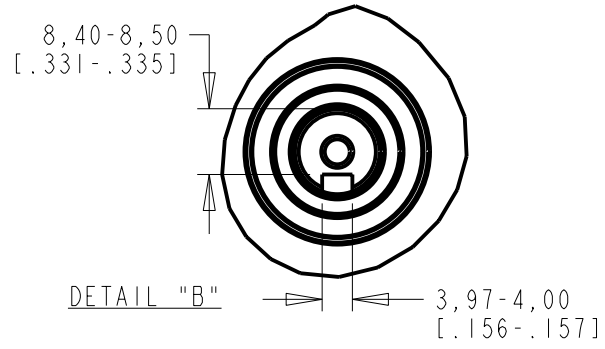
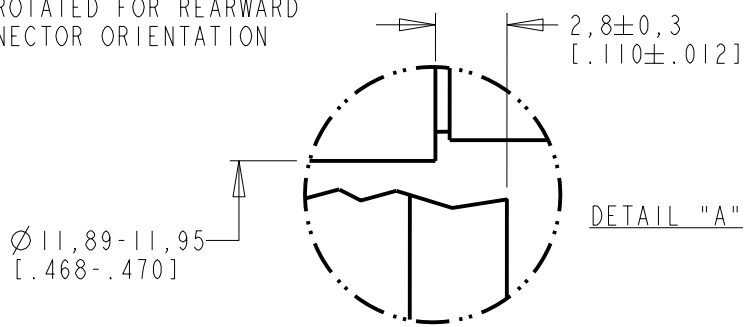
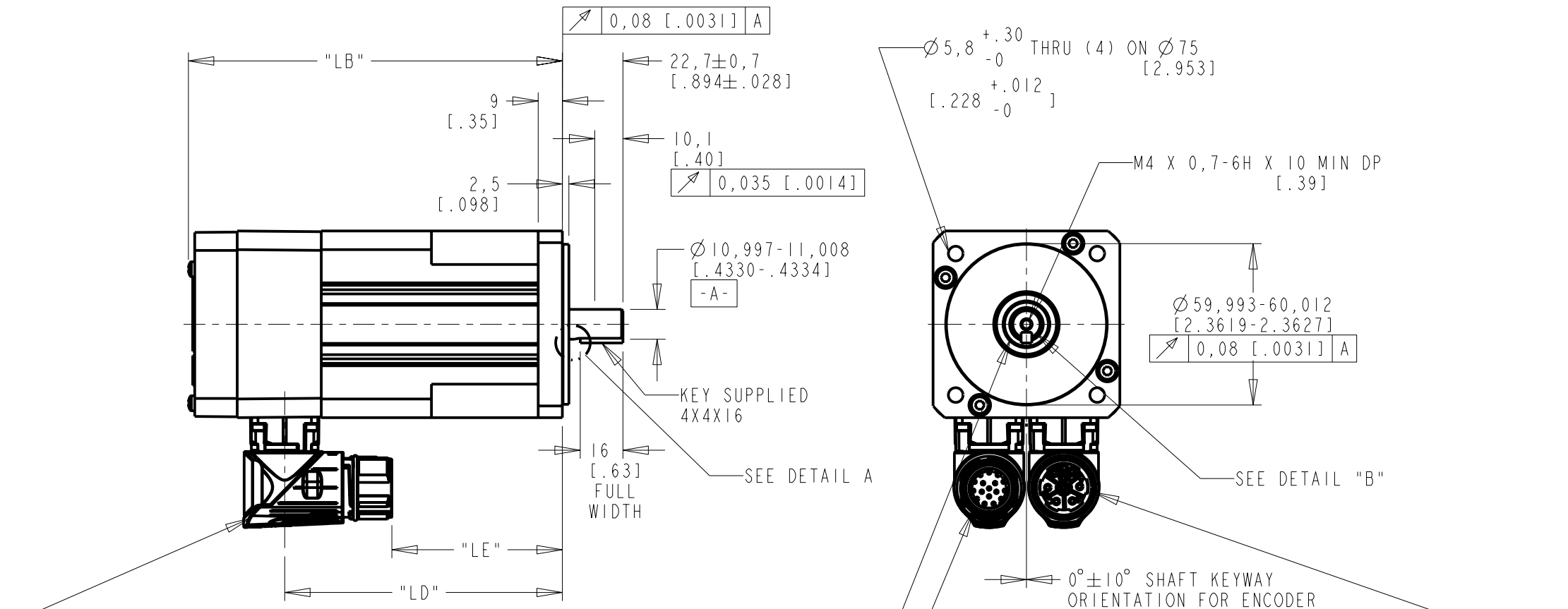
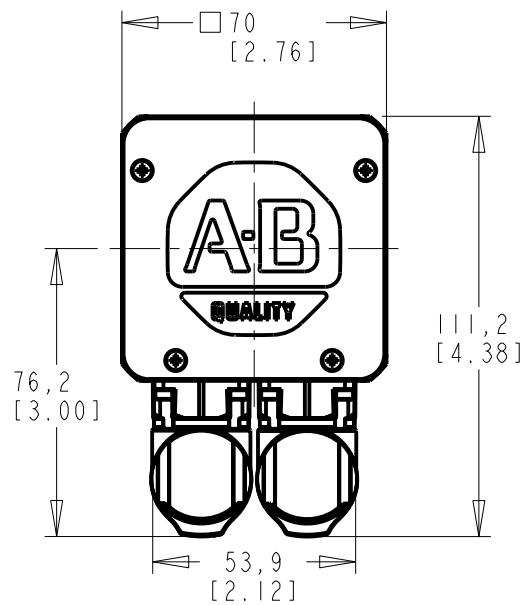


1 2 3 4 5 6 7 8

A
B
C
D
E
F
G
H



MODEL	LB	LD	LE
MPL-x210	114,6 [4.51]	78,6 [3.09]	38,4 [1.51]
MPL-x220	140,1 [5.52]	104,1 [4.10]	63,9 [2.52]
MPL-x230	165,6 [6.52]	129,6 [5.10]	89,4 [3.52]

PIN-OUT		PIN-OUT	
POWER CONNECTOR		ENCODER CONNECTOR	
PIN	FUNCTION	PIN	FUNCTION
A	U	1	AM +
B	V	2	AM -
C	W	3	BM +
⊕	GROUND	4	BM -
E-H	-	5	IM +
L	-	6	IM -
		7-8	-
		9	EPWR 5V
		10	ECOM
		11-12	-
		13	TS +
		14	TS -
		15	S1
		16	S2
		17	S3

NOTE:
 1. DXF FILE OF THIS DRAWING MUST BE SCALED TO LENGTH, SEE CHART ABOVE. MODEL SHOWN IS MPL-x220x-HJ72AA.
 2. 3D STEP (.stp) FILES AVAILABLE AT ALL LENGTHS.
 3. THIS DRAWING COVERS INCREMENTAL ENCODER MODELS (i.e., MPL-A2xxx-HJ72AA and MPL-B2xxx-HJ72AA).

Rockwell Automation		CONFIDENTIAL AND PROPRIETARY INFORMATION. THIS DOCUMENT CONTAINS CONFIDENTIAL AND PROPRIETARY INFORMATION OF ROCKWELL AUTOMATION, INC. AND MAY NOT BE USED, COPIED OR DISCLOSED TO OTHERS, EXCEPT WITH THE AUTHORIZED WRITTEN PERMISSION OF ROCKWELL AUTOMATION, INC.	
ESM,MPL-x2xxx-HJ72AA		Sheet 1 Of 1	
Drawn by: SAJOHNSON	Date: 08-12-10	Size B	Ver 10000128181 00