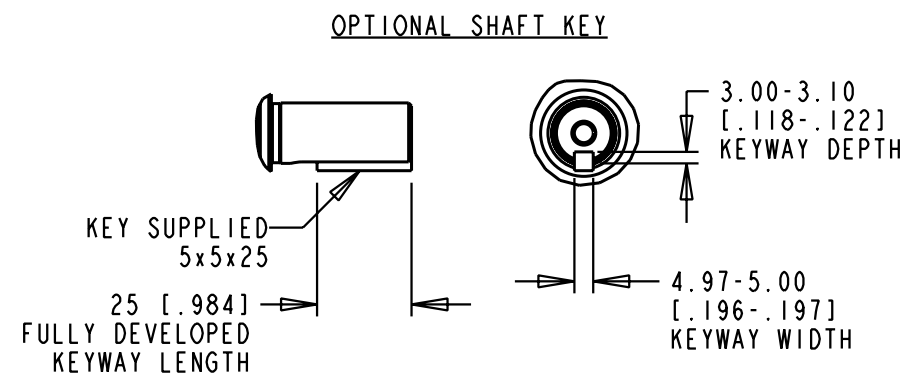
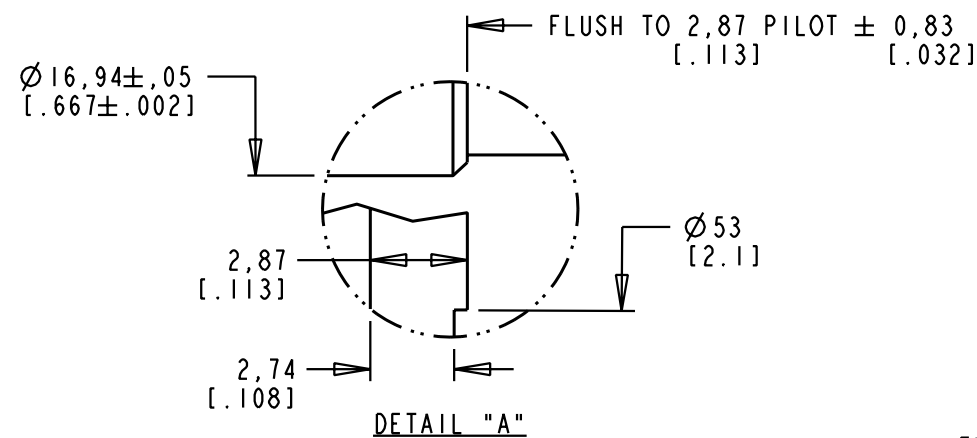
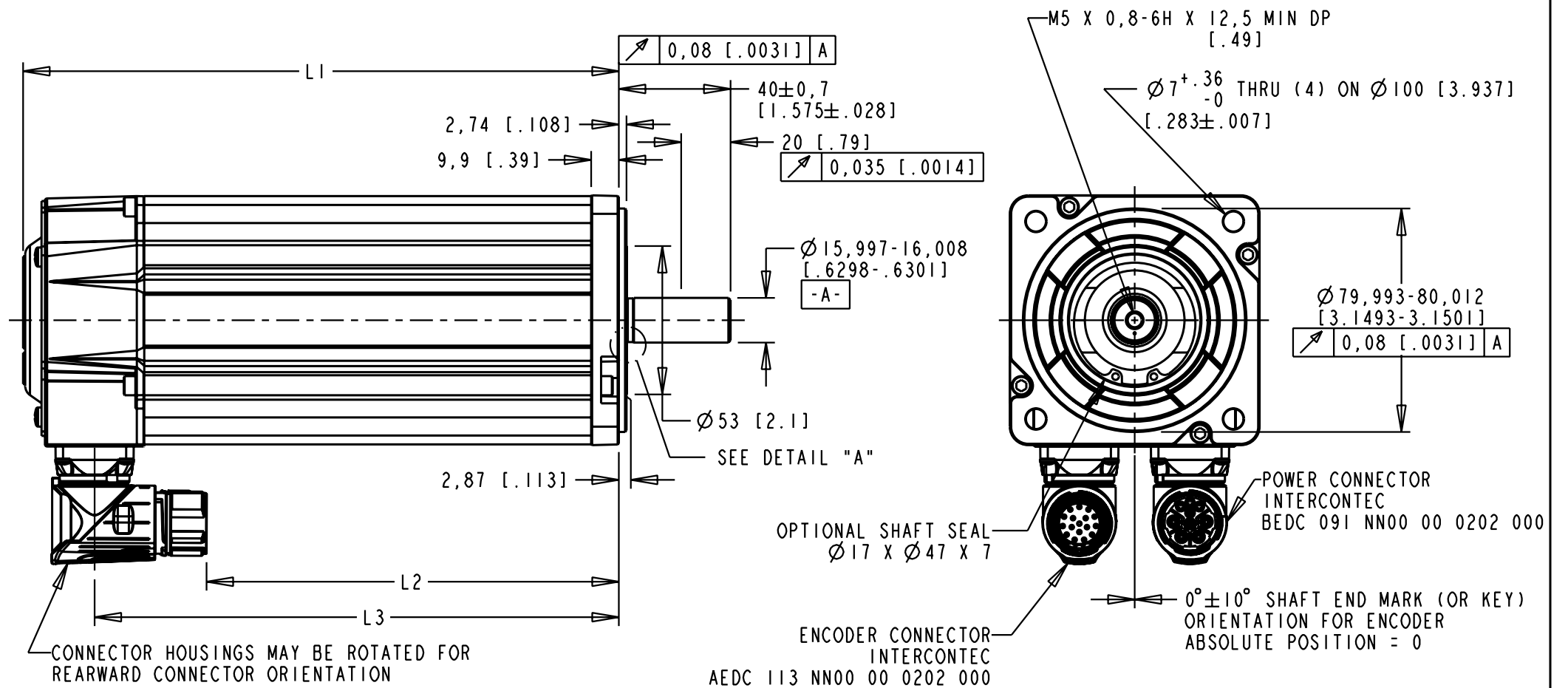


| MODEL | L1            | L2            | L3            |
|-------|---------------|---------------|---------------|
| 310   | 163<br>[6.40] | 97<br>[3.81]  | 137<br>[5.39] |
| 320   | 188<br>[7.40] | 122<br>[4.81] | 162<br>[6.39] |
| 330   | 213<br>[8.40] | 148<br>[5.81] | 188<br>[7.39] |

| PIN-OUT |          |
|---------|----------|
| PIN     | FUNCTION |
| A       | U        |
| B       | V        |
| C       | W        |
| D       | GND      |
| E       | -        |
| F       | MBRK+    |
| G       | MBRK-    |
| H       | -        |
| L       | -        |

| PIN-OUT |          |
|---------|----------|
| PIN     | FUNCTION |
| 1       | SIN +    |
| 2       | SIN -    |
| 3       | COS +    |
| 4       | COS -    |
| 5       | DATA +   |
| 6       | DATA -   |
| 7-8     | -        |
| 9       | EPWR 5V  |
| 10      | ECOM     |
| 11-12   | -        |
| 13      | TS+      |
| 14      | TS-      |
| 15-17   | -        |

- NOTE:
- DXF OF THIS DRAWING MUST BE SCALED TO LENGTH ON CHART (310, 320). MODEL SHOWN IS MPL-x330x-xx74AA.
  - 3D STEP (.stp) FILES AVAILABLE AT ALL LENGTHS.
  - COVERS SINGLE AND MULTI-TURN ABSOLUTE ENCODER 230V MODELS (i.e., MPL-A3xxx-Mx74AA and MPL-A3xxx-Sx74AA).



| REFERENCES                |   | DESCRIPTION                      | CAD DOCUMENT      |                             |
|---------------------------|---|----------------------------------|-------------------|-----------------------------|
| VERSION/<br>CHANGE NUMBER | UNLESS OTHERWISE SPECIFIED<br>DO NOT SCALE DRAWING DIMENSIONS ARE IN MILLIMETERS WITH INCHES REFERENCED (X) UNTOLERANCED DIMENSIONS ARE REFERENCE<br>3RD ANGLE PROJECTION | MPL-A3xxx-xx74AA, ESM            | Allen-Bradley<br> |                             |
| 00                        | 10005711  | DR. D. HECKSEL                   |                   |                             |
|                           |   | DXF 2D OR STEP 3D FILE AVAILABLE | DWG. SIZE B       | DOCUMENT NUMBER 10000020720 |