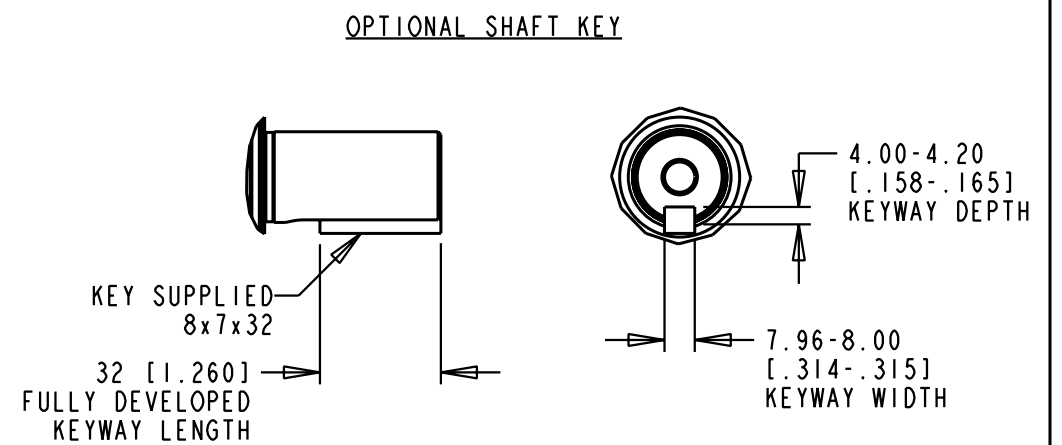
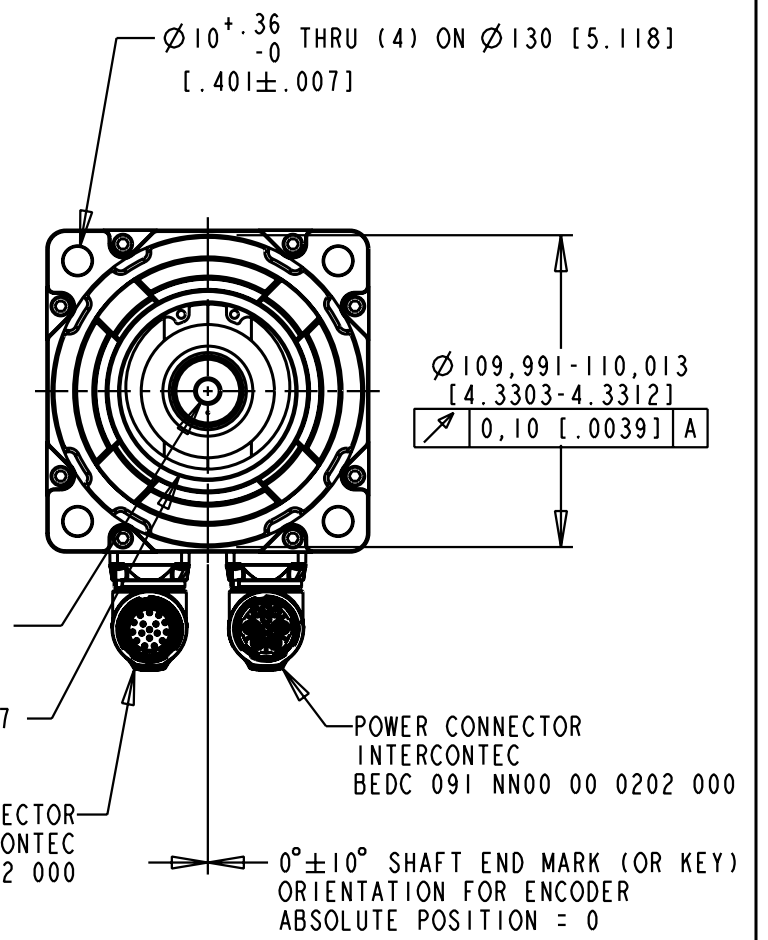
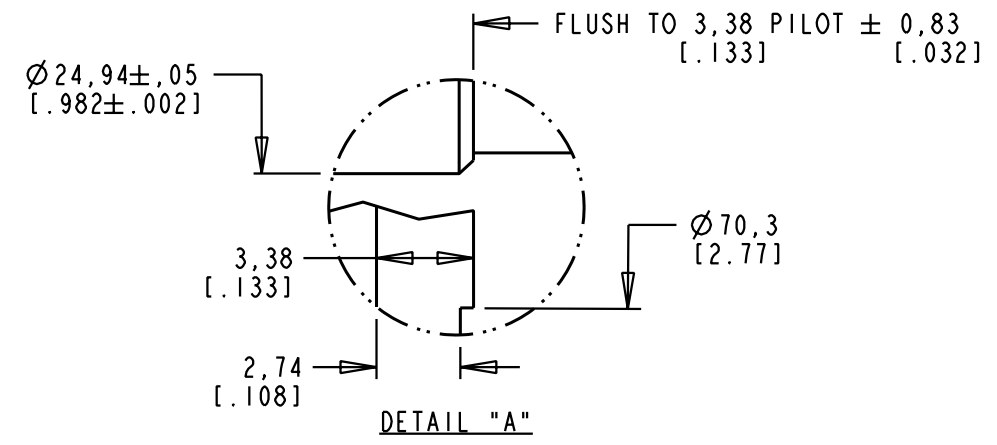
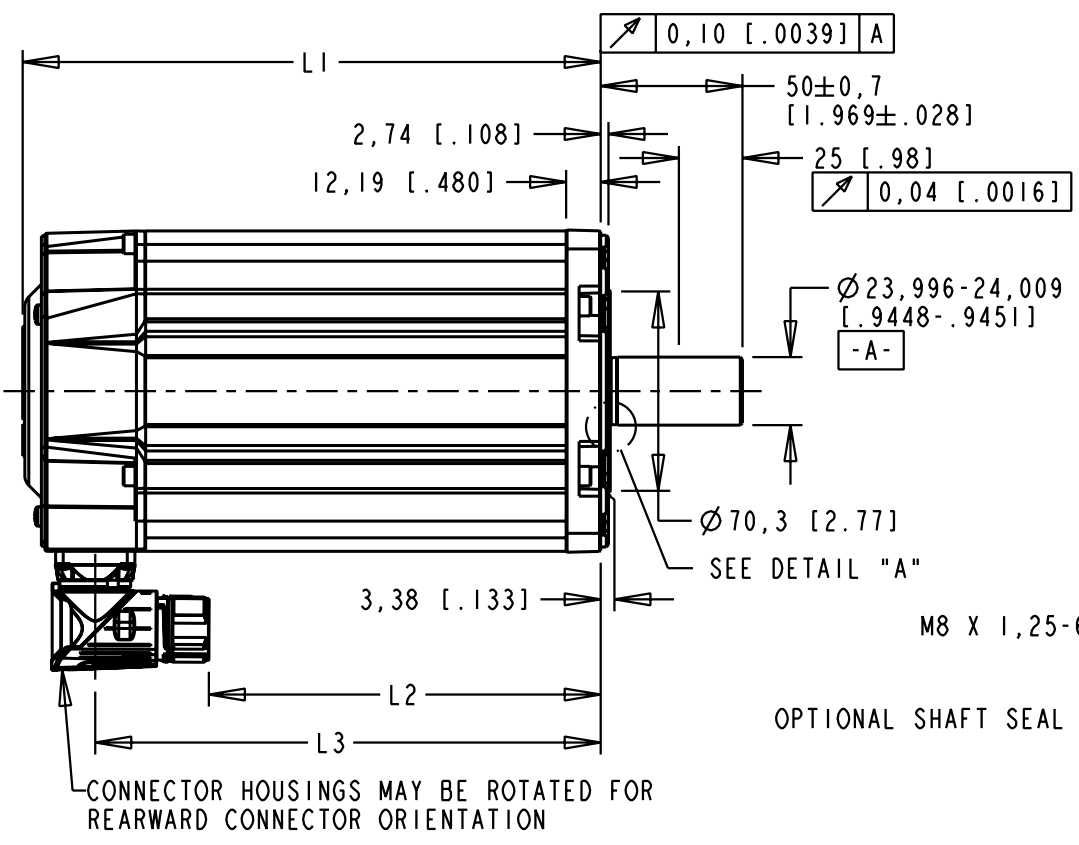


MODEL	L1	L2	L3
4530	179 [7.03]	113 [4.44]	153 [6.02]
4540	204 [8.03]	138 [5.44]	178 [7.02]
4560	255 [10.03]	189 [7.44]	229 [9.02]

PIN-OUT		PIN-OUT	
POWER CONNECTOR		ENCODER CONNECTOR	
PIN	FUNCTION	PIN	FUNCTION
A	U	1	SIN +
B	V	2	SIN -
C	W	3	COS +
D	GND	4	COS -
E-H	-	5	DATA +
L	-	6	DATA -
		7-8	-
		9	EPWR 5V
		10	ECOM
		11-12	-
		13	TS +
		14	TS -
		15-17	-

- NOTE:
- DXF OF THIS DRAWING MUST BE SCALED TO LENGTH ON CHART (4530, 4560). MODEL SHOWN IS MPL-A4540x-xx72AA.
 - 3D STEP (.stp) FILES AVAILABLE AT ALL LENGTHS.
 - COVERS SINGLE AND MULTI-TURN ABSOLUTE ENCODER 230V MODELS (i.e., MPL-A45xx-Mx72AA AND MPL-A45xx-Sx72AA).



REFERENCES		DESCRIPTION	CAD DOCUMENT	
VERSION/ CHANGE NUMBER	UNLESS OTHERWISE SPECIFIED	MPL-A45xxx-xx72AA, ESM	Allen-Bradley	
	DO NOT SCALE DRAWING DIMENSIONS ARE IN MILLIMETERS WITH INCHES REFERENCED [X] UNTOLERANCED DIMENSIONS ARE REFERENCE 3RD ANGLE PROJECTION			
00	10005711	DR. D. HECKSEL	DATE 05/27/08	SHEET 1 OF 1
		DXF 2D OR STEP 3D FILE AVAILABLE	DWG. SIZE B	DOCUMENT NUMBER 10000014303

