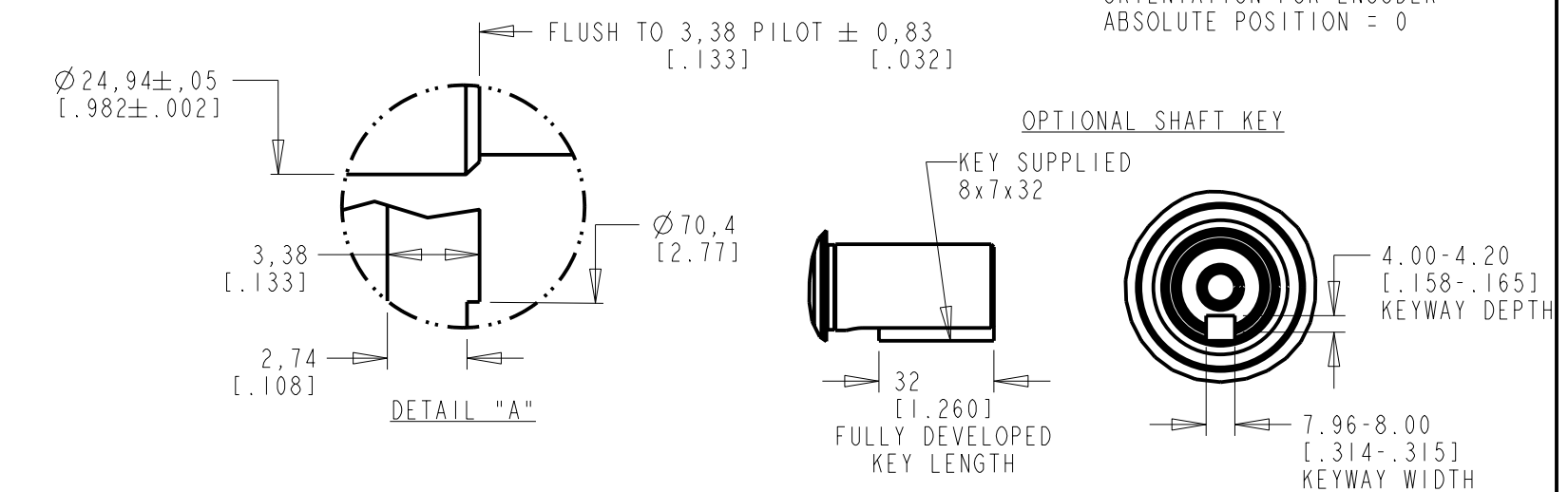


MODEL	LB	LD	LE
MPL-B4530	178,6 [7.03]	152,9 [6.02]	112,8 [4.44]
MPL-B4540	204 [8.03]	178,3 [7.02]	138,2 [5.44]
MPL-B4560	254,8 [10.03]	229,1 [9.02]	189 [7.44]
MPM-B1302	178,6 [7.03]	152,9 [6.02]	112,8 [4.44]
MPM-B1304	229,4 [9.03]	203,7 [8.02]	163,6 [6.44]

PIN-OUT		ENCODER CONNECTOR	
PIN	FUNCTION	PIN	FUNCTION
A	U	1	SIN +
B	V	2	SIN -
C	W	3	COS +
⊕	GND	4	COS -
E-H	-	5	DATA +
L	-	6	DATA -
		7-8	-
		9-10	-
		11	EPWR 9V
		12	ECOM
		13	TS +
		14	TS -
		15-17	-



NOTE:

- DXF FILE OF THIS DRAWING MUST BE SCALED TO LENGTH, SEE CHART ABOVE. MODEL SHOWN IS MPL-B4540x-xx72AA.
- 3D STEP (.stp) FILES AVAILABLE AT ALL LENGTHS.
- THIS DRAWING COVERS SINGLE AND MULTI-TURN ABSOLUTE ENCODER MODELS (i.e., MPx-Bxxxx-Mx72Ax AND MPx-Bxxxx-Sx72Ax).

REFERENCES		DESCRIPTION	CAD DOCUMENT	
VERSION	UNLESS OTHERWISE SPECIFIED	ESM, MPL-B45xxx-xx72AA; MPM-B130xx-xx72AA	Allen-Bradley 	
02	DO NOT SCALE DRAWING DIMENSIONS ARE IN MILLIMETERS WITH INCHES REFERENCED [X] UNTOLERANCED DIMENSIONS ARE REFERENCE 3RD ANGLE PROJECTION			
		DR. WKG	DATE 2/7/08	SHEET 1 OF 1
		DXF 2D OR STEP 3D FILE AVAILABLE		DWG. SIZE B
				DOCUMENT NUMBER 10000014305