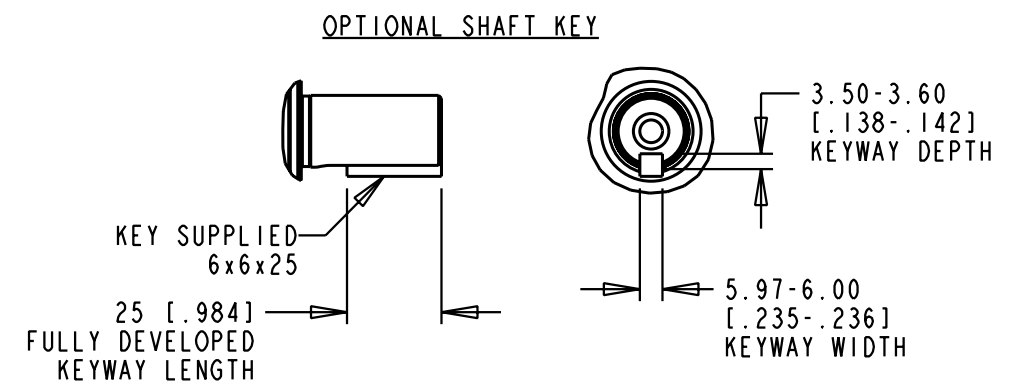
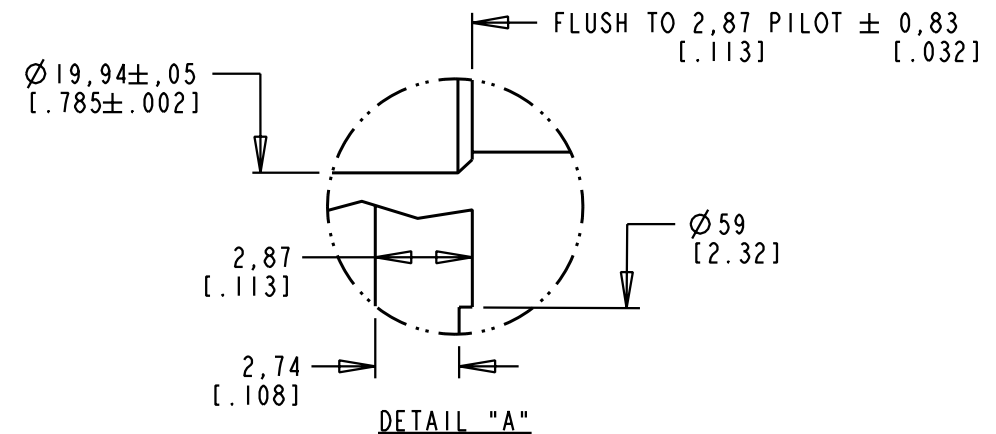


MODEL	L1	L2	L3
420	150 [5.90]	84 [3.31]	124 [4.89]
430	175 [6.90]	110 [4.31]	150 [5.89]

PIN-OUT	
POWER CONNECTOR	
PIN	FUNCTION
A	U
B	V
C	W
D	GND
E-H	-
L	-

PIN-OUT	
ENCODER CONNECTOR	
PIN	FUNCTION
1	SIN +
2	SIN -
3	COS +
4	COS -
5	DATA +
6	DATA -
7-8	-
9-10	-
11	EPWR 9V
12	ECOM
13	TS +
14	TS -
15-17	-



- NOTE:
- DXF OF THIS DRAWING MUST BE SCALED TO LENGTH ON CHART (420). MODEL SHOWN IS MPL-B430x-xx72AA.
 - 3D STEP (.stp) FILES AVAILABLE AT ALL LENGTHS.
 - COVERS SINGLE AND MULTI-TURN ABSOLUTE ENCODER 460V MODELS (i.e., MPL-B4xxx-Mx72AA and MPL-B4xxx-Sx72AA).

REFERENCES		DESCRIPTION	CAD DOCUMENT	
VERSION/ CHANGE NUMBER	UNLESS OTHERWISE SPECIFIED DO NOT SCALE DRAWING DIMENSIONS ARE IN MILLIMETERS WITH INCHES REFERENCED (X) UNTOLERANCED DIMENSIONS ARE REFERENCE 3RD ANGLE PROJECTION	MPL-B4xxx-xx72AA, ESM	Allen-Bradley 	
00	10005711	 DR. D. HECKSEL DATE 05/27/08 SHEET 1 OF 1 DWG. SIZE B DOCUMENT NUMBER 10000020745		