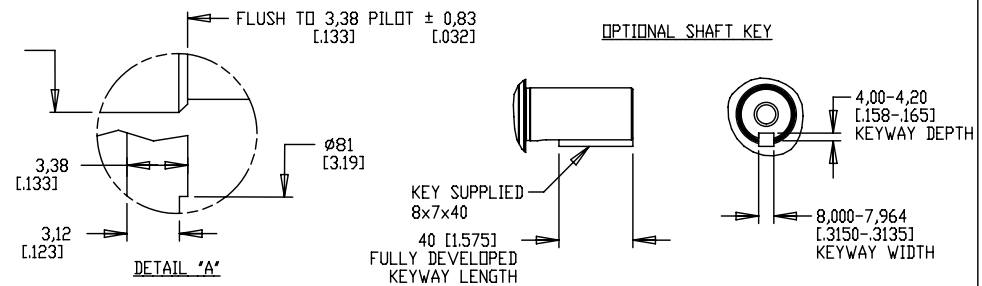
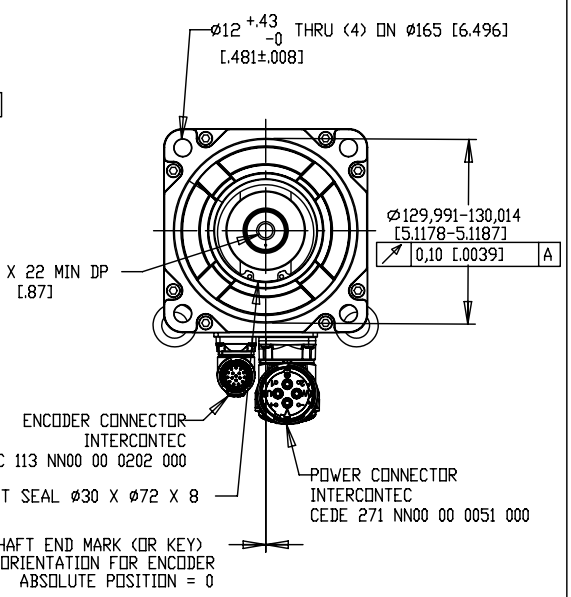
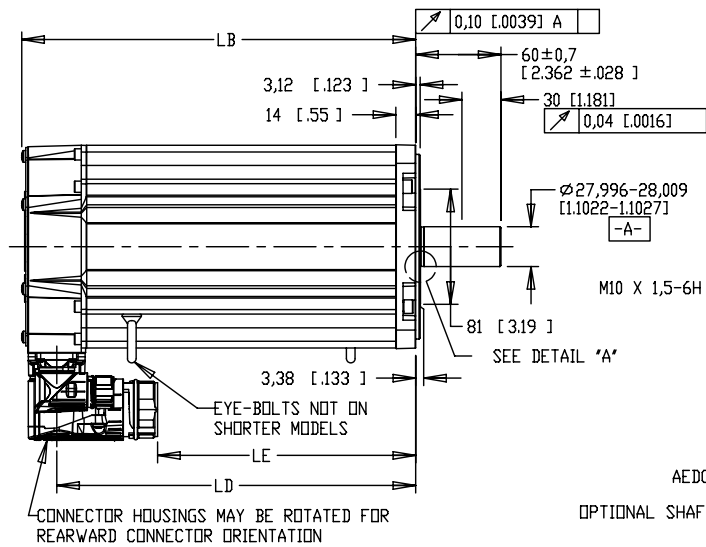


MODEL	LB	LD	LE
MPL-x520	175,8 [6.92]	151,1 [5.95]	80 [3.15]
MPL-x540	226,6 [8.92]	201,9 [7.95]	130,8 [5.15]
MPL-x560	277,4 [10.92]	252,7 [9.95]	181,6 [7.15]
MPM-x1651	226,6 [8.92]	201,9 [7.95]	130,8 [5.15]
MPM-x1652	277,4 [10.92]	252,7 [9.95]	181,6 [7.15]
MPM-x1653	328,2 [12.92]	303,5 [11.95]	232,4 [9.15]

PIN-OUT	
POWER CONNECTOR	
PIN	FUNCTION
U	U
V	V
W	W
⊕	GND
+	-
-	-
1	-
2	-

PIN-OUT	
ENCODER CONNECTOR	
PIN	FUNCTION
1	SIN +
2	SIN -
3	COS +
4	COS -
5	DATA +
6	DATA -
7-8	-
9-10	-
11	EPWR 9V
12	ECOM
13	TS +
14	TS -
15-17	-



NOTE:

- DXF FILE OF THIS DRAWING MUST BE SCALED TO LENGTH, SEE CHART ABOVE. MODEL SHOWN IS MPL-x560x-xx72AA.
- 3D STEP (.stp) FILES AVAILABLE AT ALL LENGTHS.
- THIS DRAWING COVERS SINGLE AND MULTI-TURN ABSOLUTE ENCODER MODELS (i.e., MPx-xxxxx-Mx72AA and MPx-xxxxx-Sx72AA).

REFERENCES		DESCRIPTION	CAD DOCUMENT
VERSION	UNLESS OTHERWISE SPECIFIED	ESM,MPL-x5xxx-xx72AA;MPM-x165xx-xx72AA M40 CONNECTOR	Allen-Bradley 
02	DO NOT SCALE DRAWING DIMENSIONS ARE IN MILLIMETERS WITH INCHES REFERENCED (X) UNTOLEERANCED DIMENSIONS ARE REFERENCE		
3RD ANGLE PROJECTION		DR. D. HECKSEL	DATE 05/28/08
		SHEET 1 OF 1	
		DWG. DOCUMENT NUMBER	
		SIZE 10000014308	

B