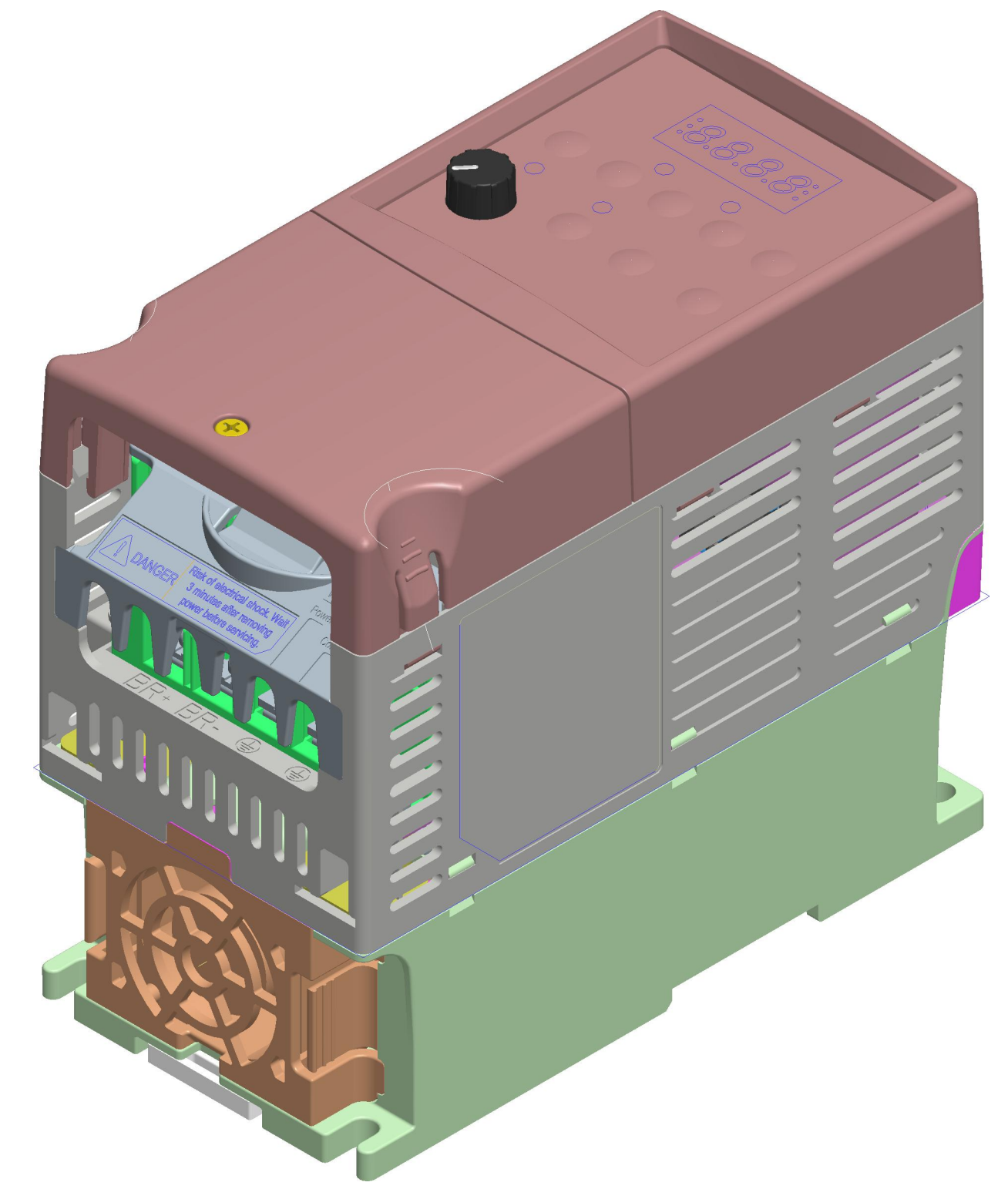
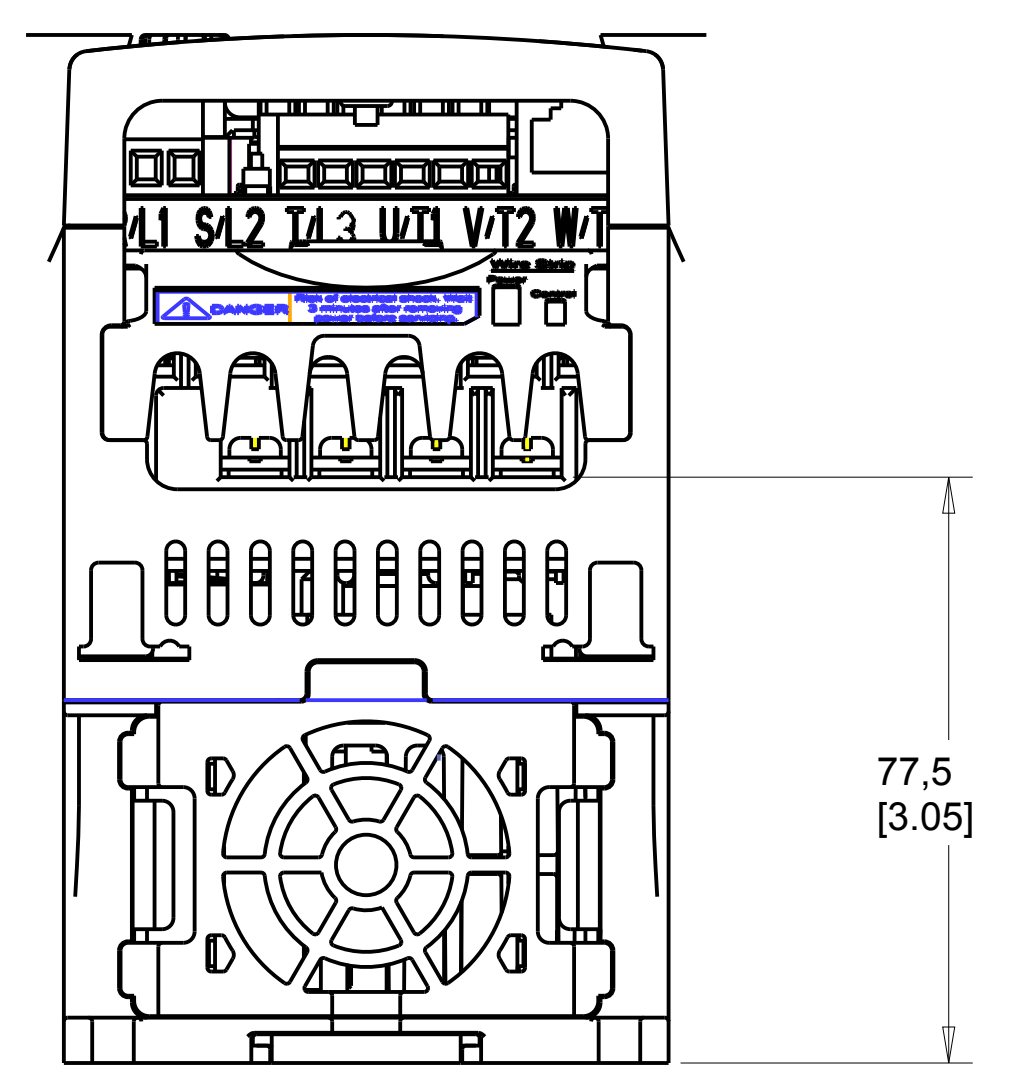
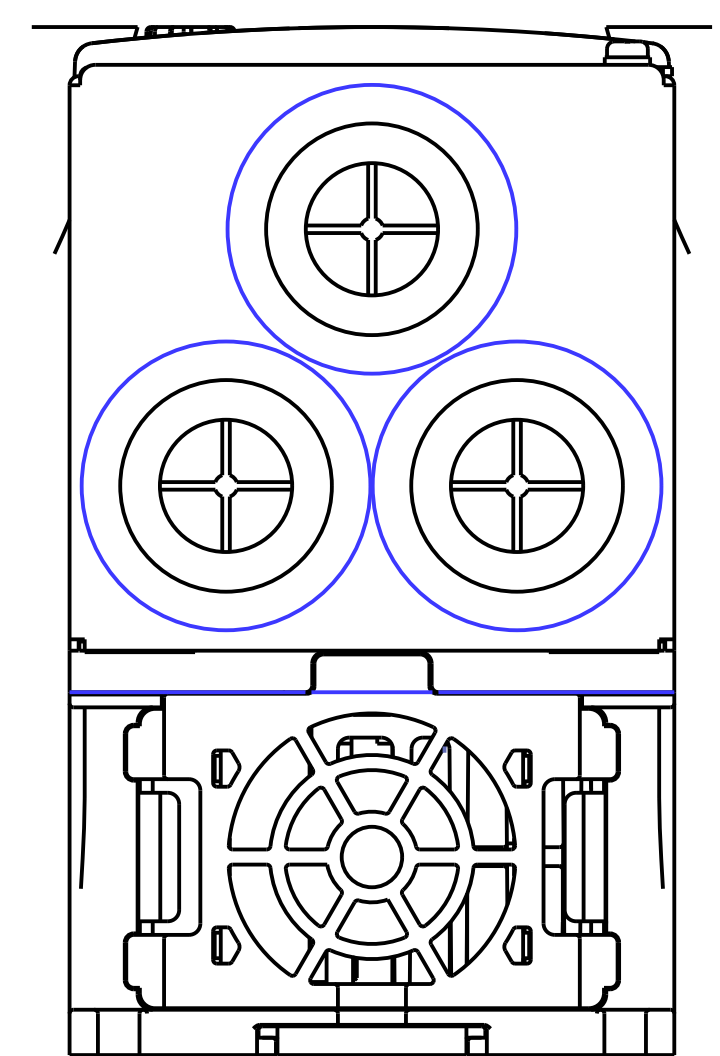
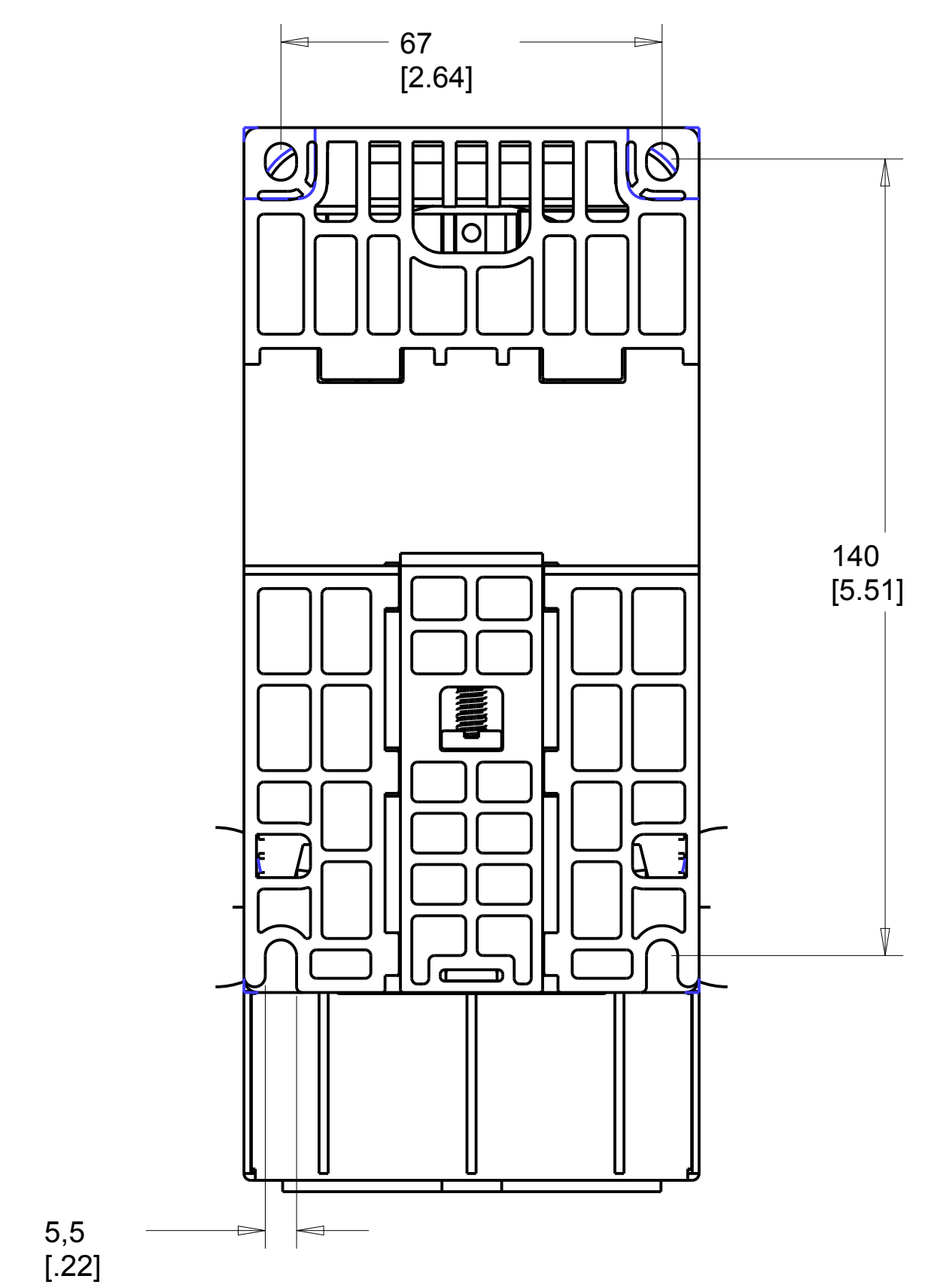
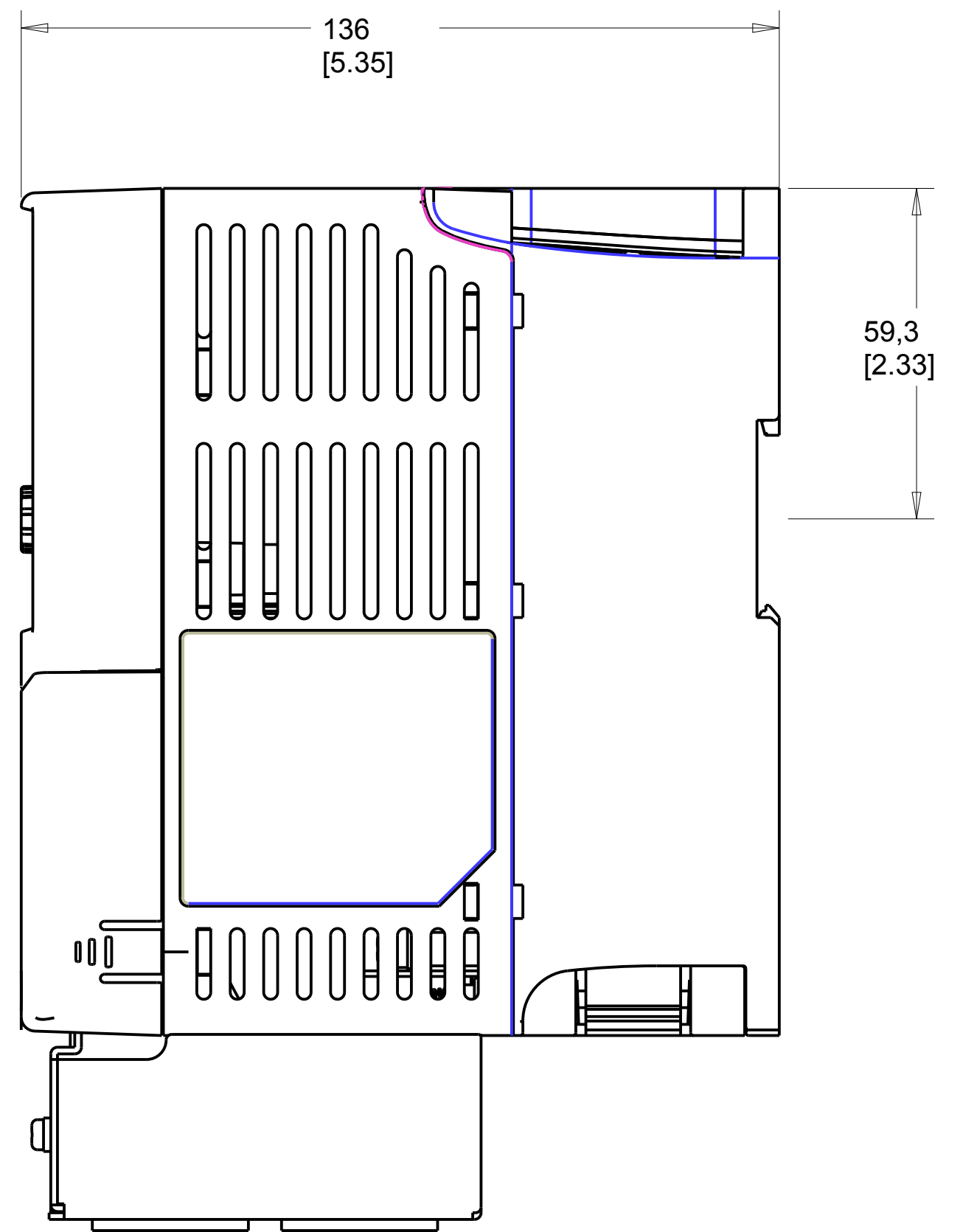
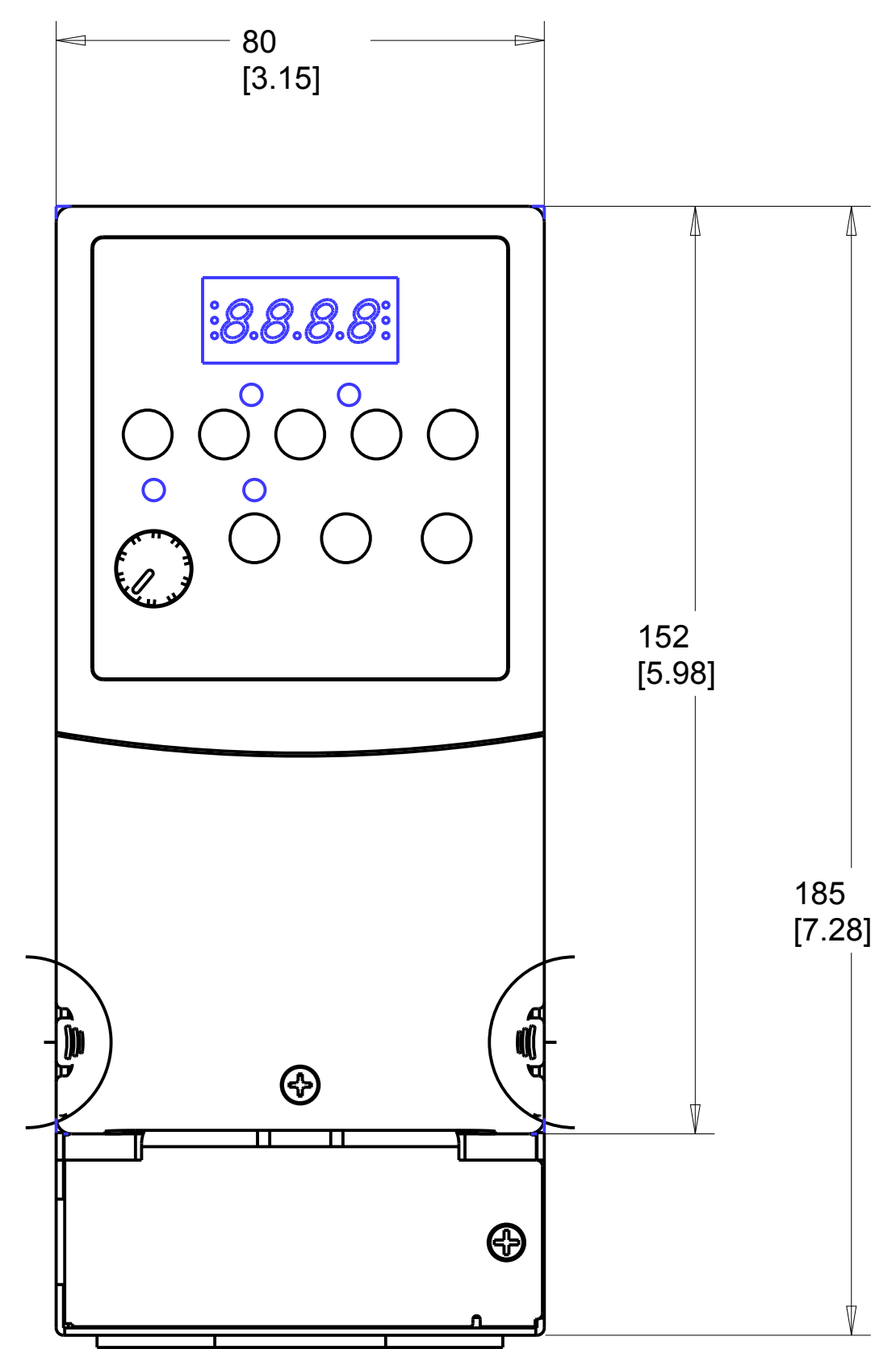


1 2 3 4 5 6 7 8

A
B
C
D
E
F
G
H



CONDUIT BOX NOT SHOWN

Rockwell Automation PF4, FRAME A OUTLINE DRAWING		<small>CONFIDENTIAL AND PROPRIETARY INFORMATION THIS DOCUMENT CONTAINS CONFIDENTIAL AND PROPRIETARY INFORMATION OF ROCKWELL AUTOMATION, INC. AND MAY NOT BE USED, COPIED OR DISCLOSED TO OTHERS, EXCEPT WITH THE AUTHORIZED WRITTEN PERMISSION OF ROCKWELL AUTOMATION, INC.</small>	
		Sheet 1 Of 1	Ver 00
Drawn by: I GUREV11	Date: 06-24-11	D	10000192459