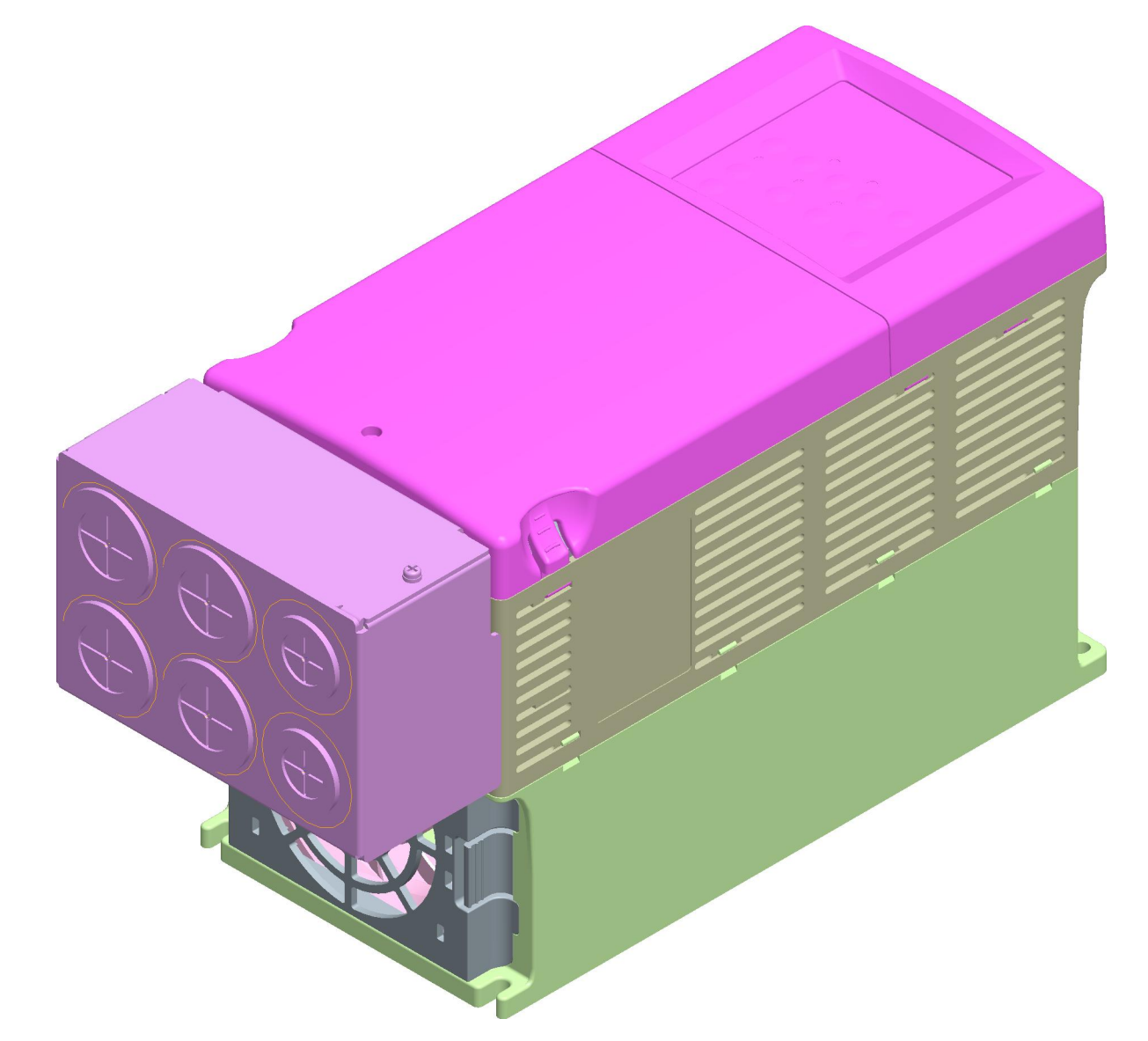
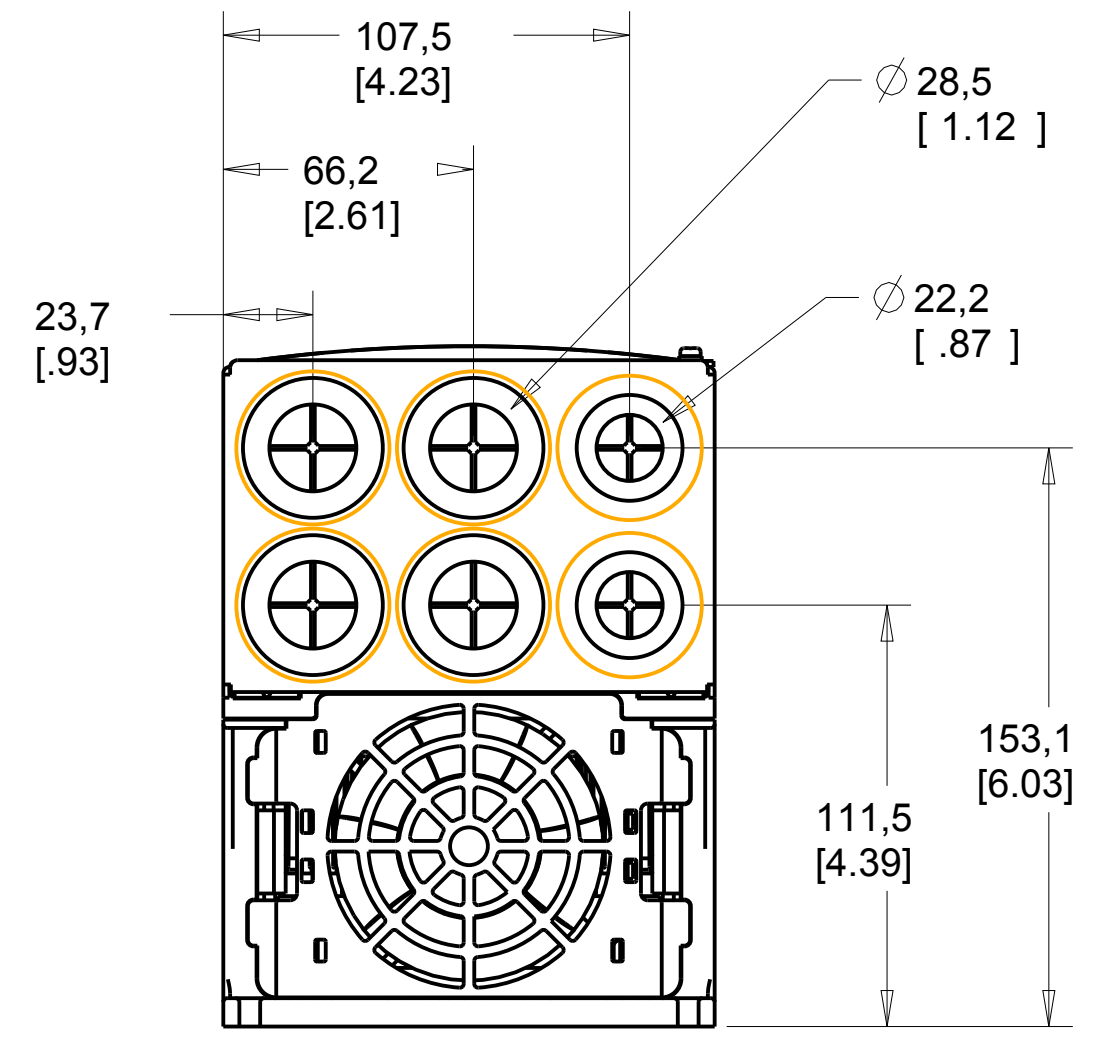
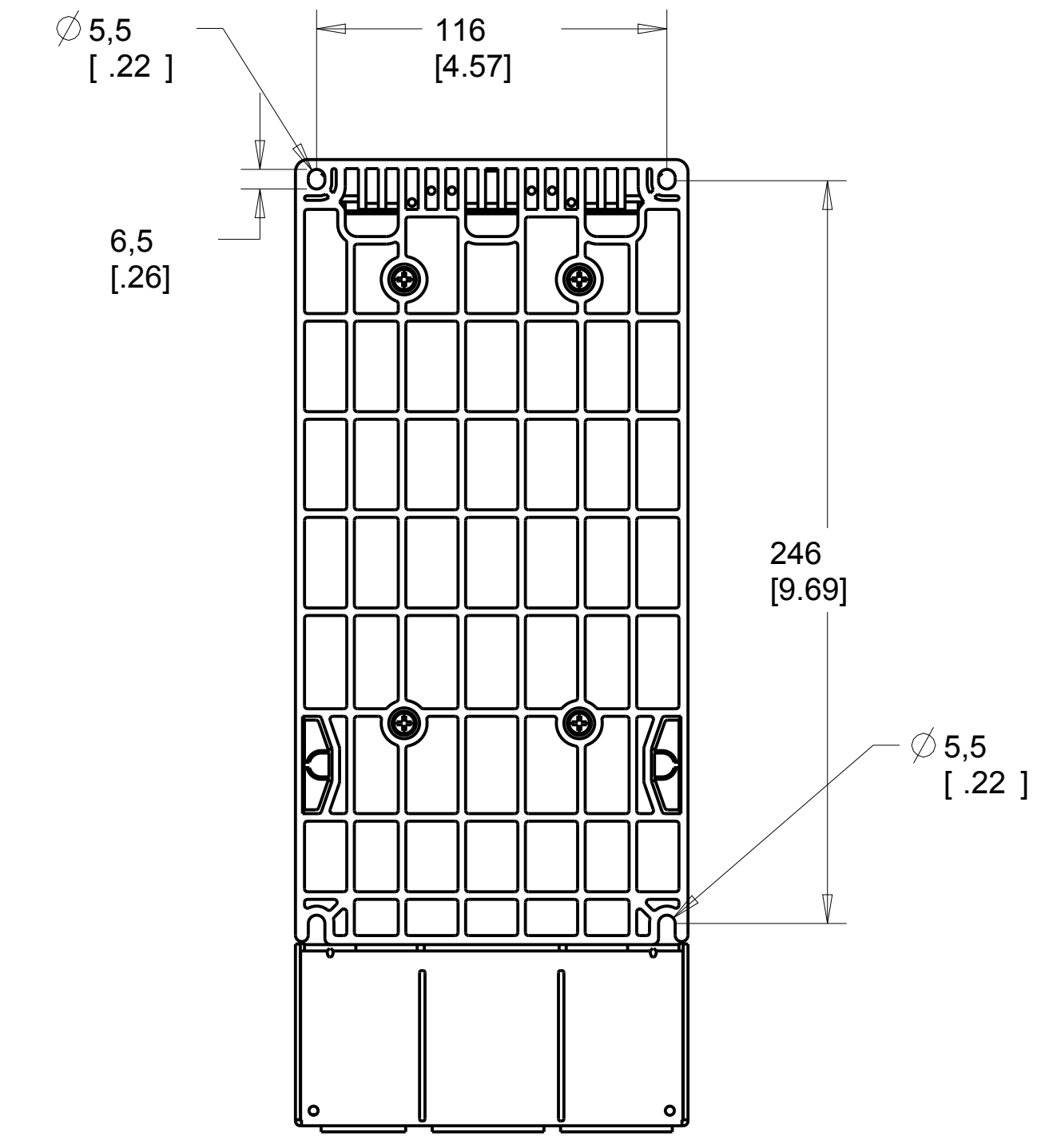
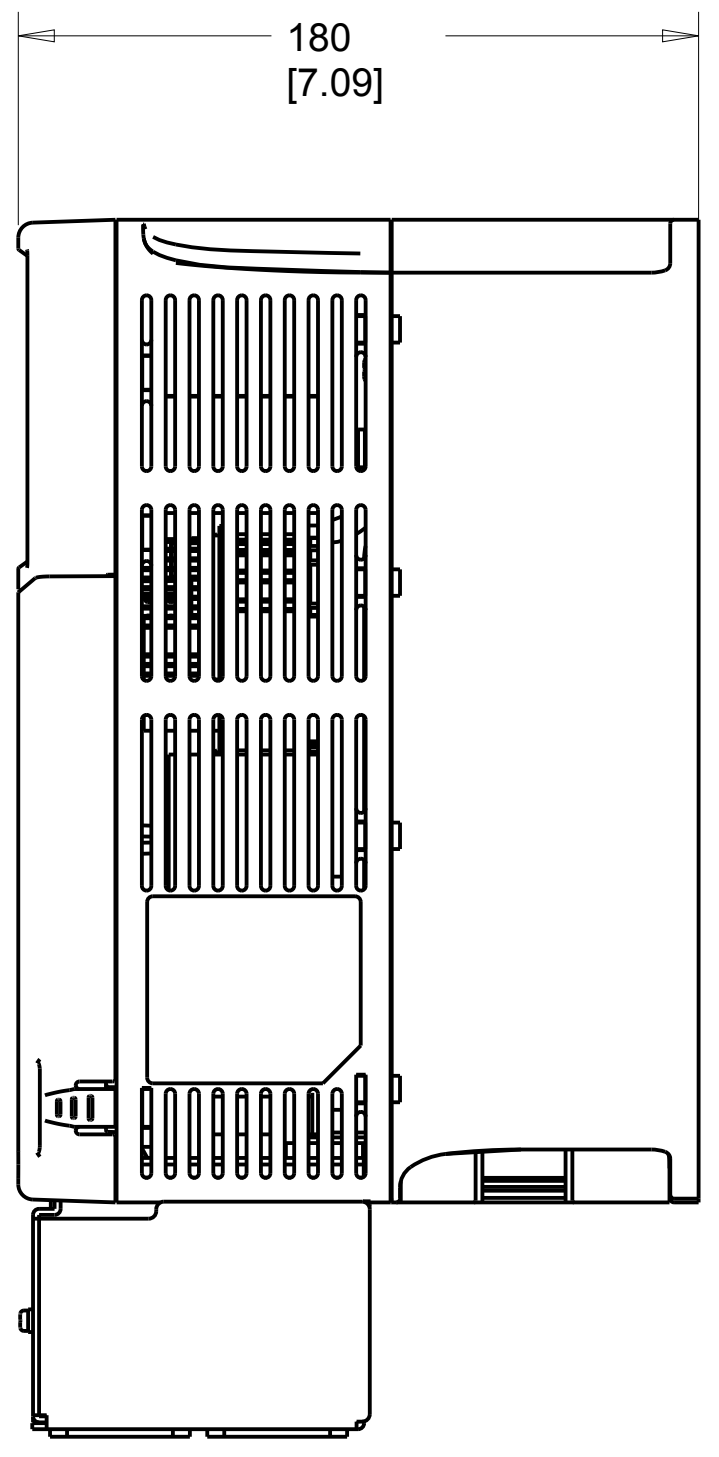
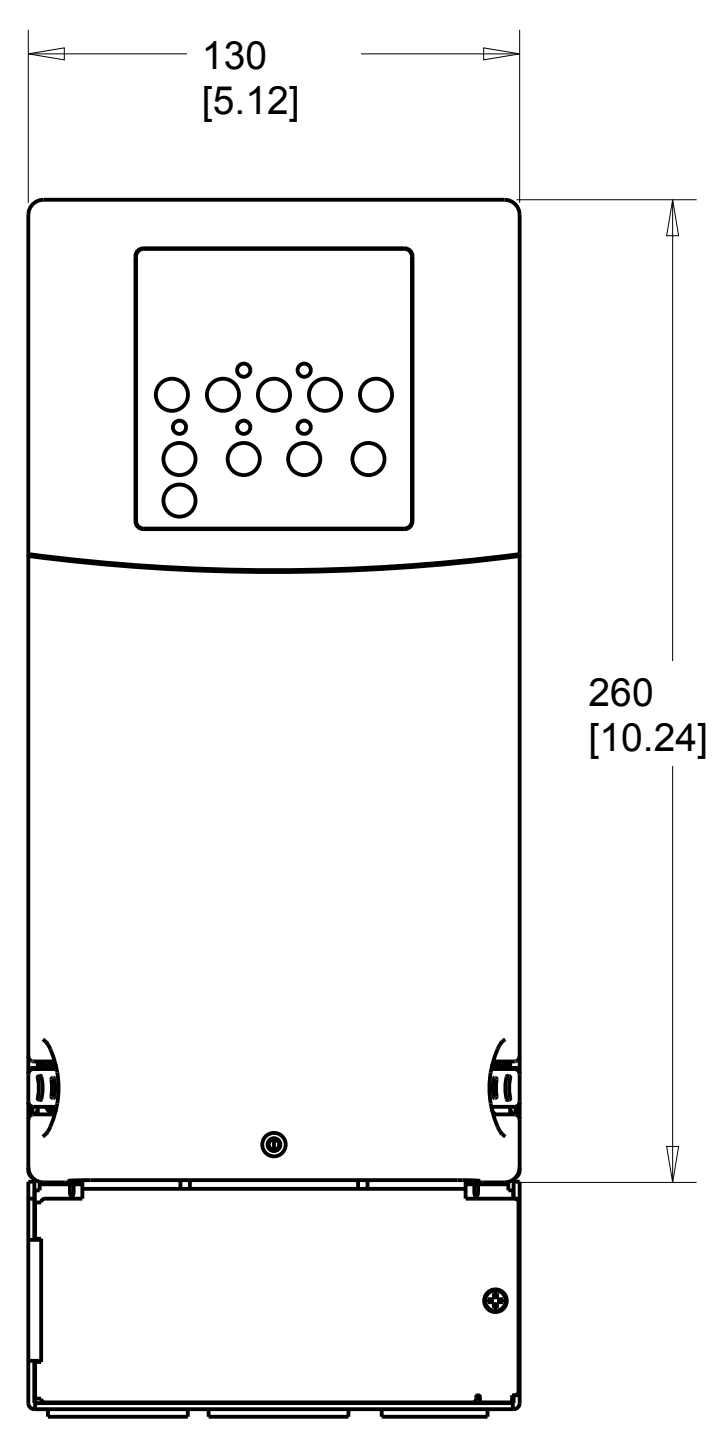


1 2 3 4 5 6 7 8

A
B
C
D
E
F
G
H



Rockwell Automation		<small>CONFIDENTIAL AND PROPRIETARY INFORMATION THIS DOCUMENT CONTAINS CONFIDENTIAL AND PROPRIETARY INFORMATION OF ROCKWELL AUTOMATION, INC. AND MAY NOT BE USED, COPIED OR DISCLOSED TO OTHERS, EXCEPT WITH THE AUTHORIZED WRITTEN PERMISSION OF ROCKWELL AUTOMATION, INC.</small>	
		22c.drw PF400, FRAME-C OUTLINE DRAWING	Sheet 1 Of 1
Drawn by: IGUREV11	Date: 06-28-11	D	10000193170
			Ver 00