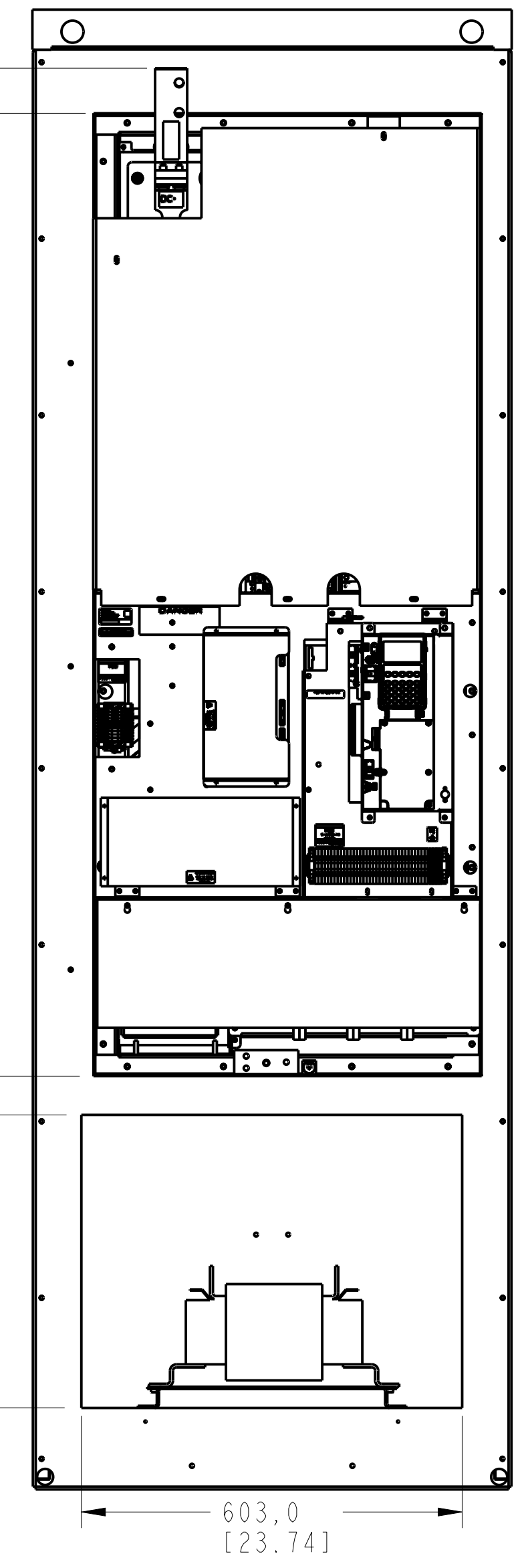
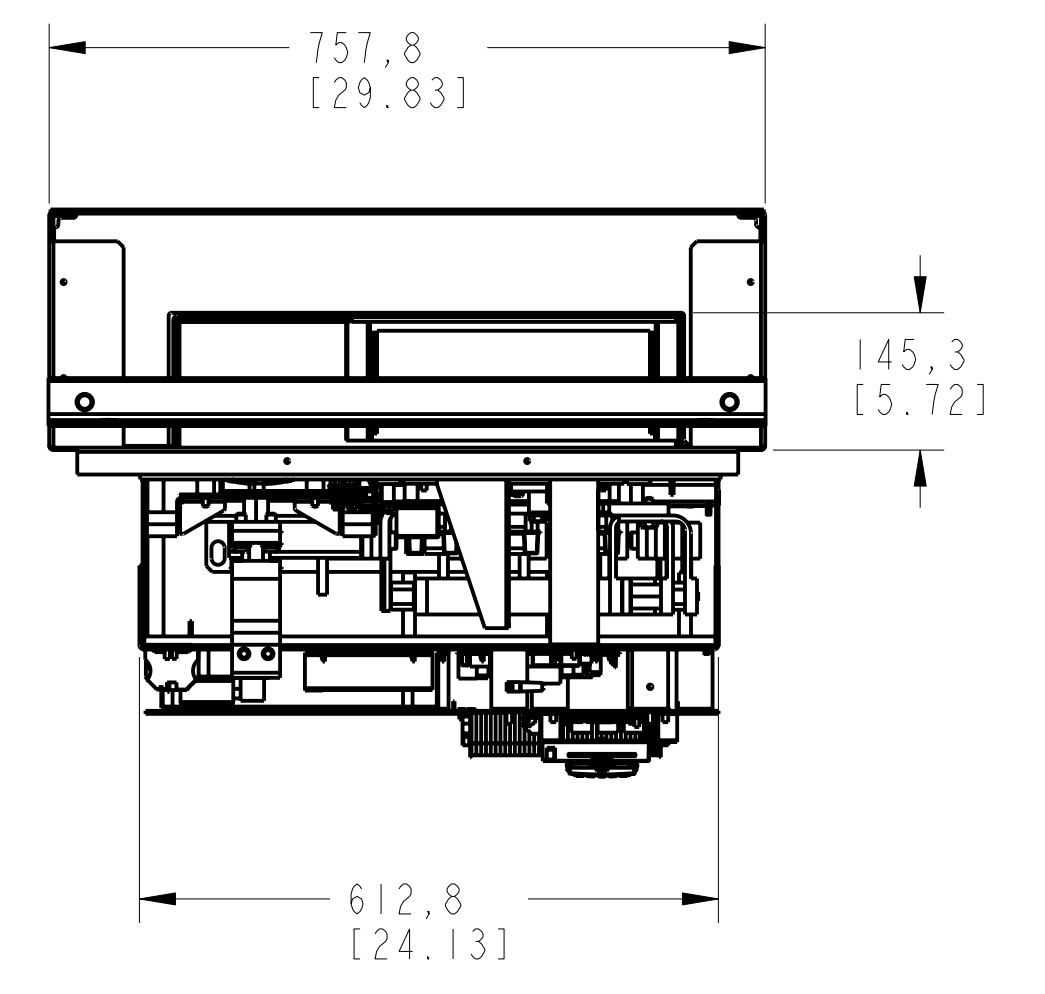
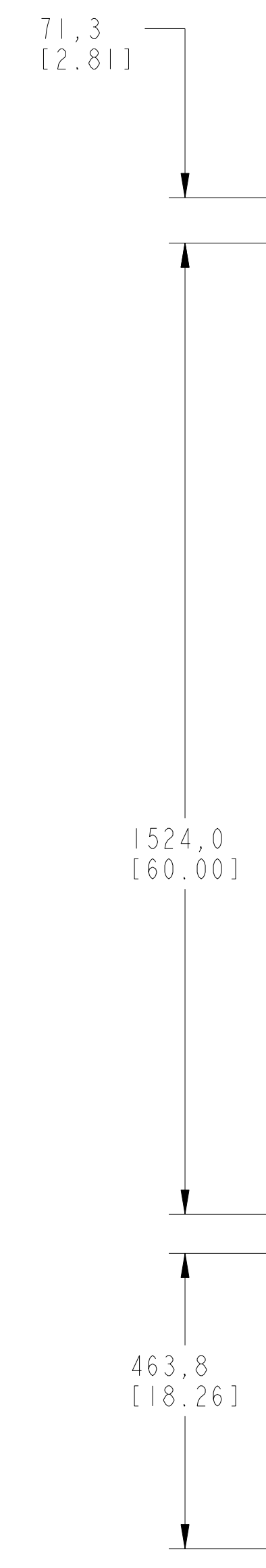
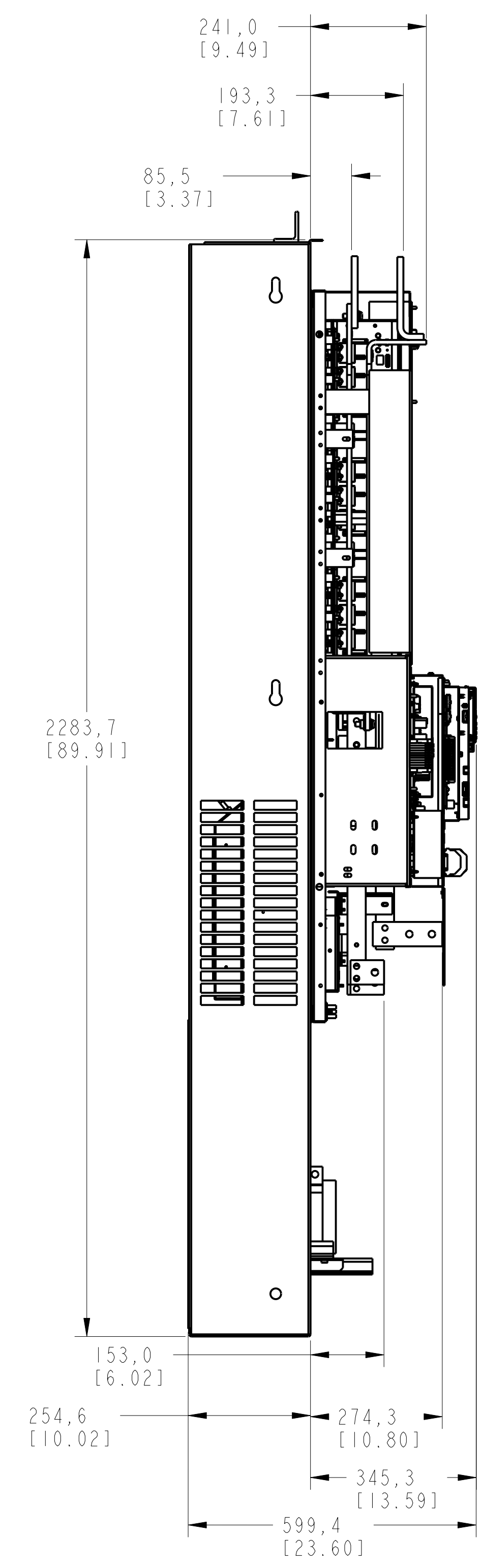
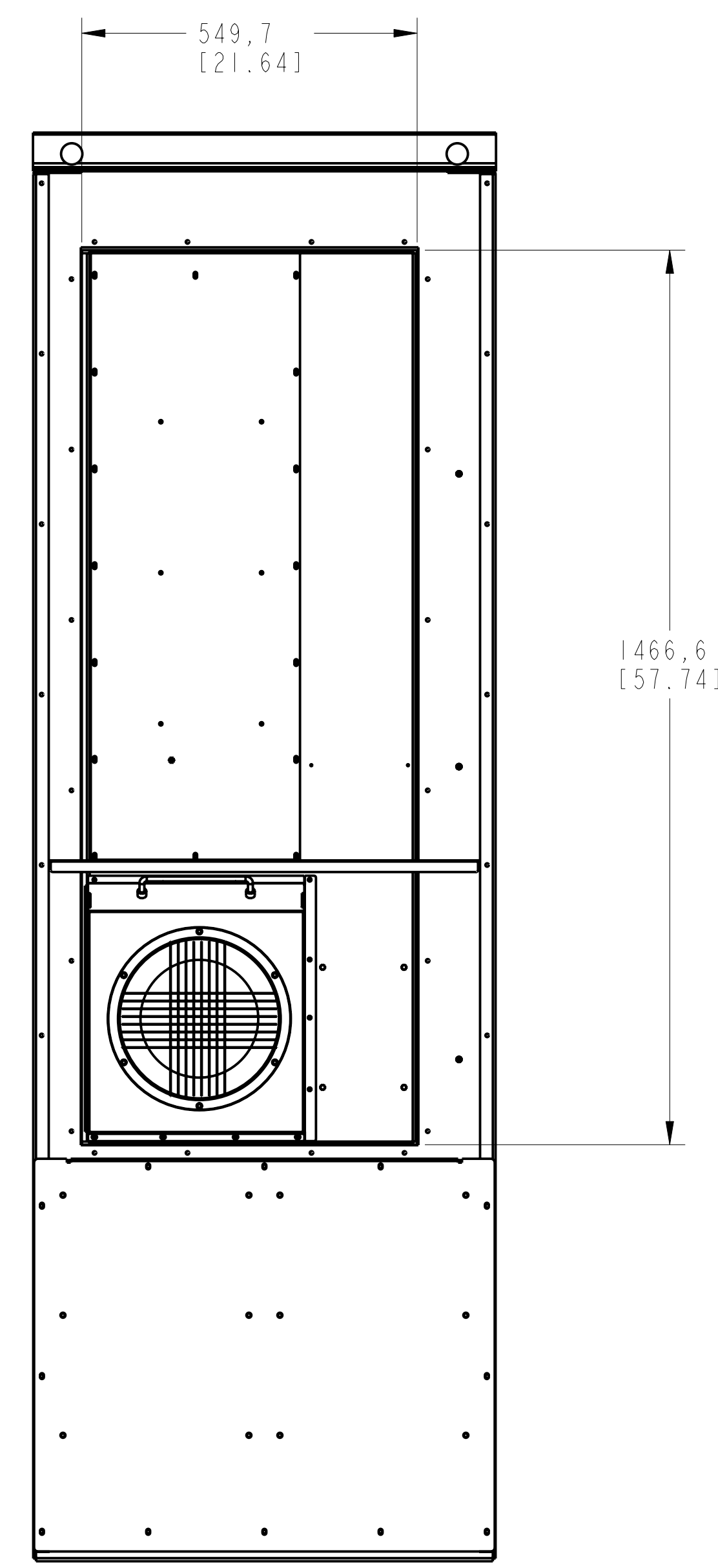


1 2 3 4 5 6 7 8

A
B
C
D
E
F
G
H

FRAME 8
10 INCH BACKPLANE
365A, 415A, AND 481A

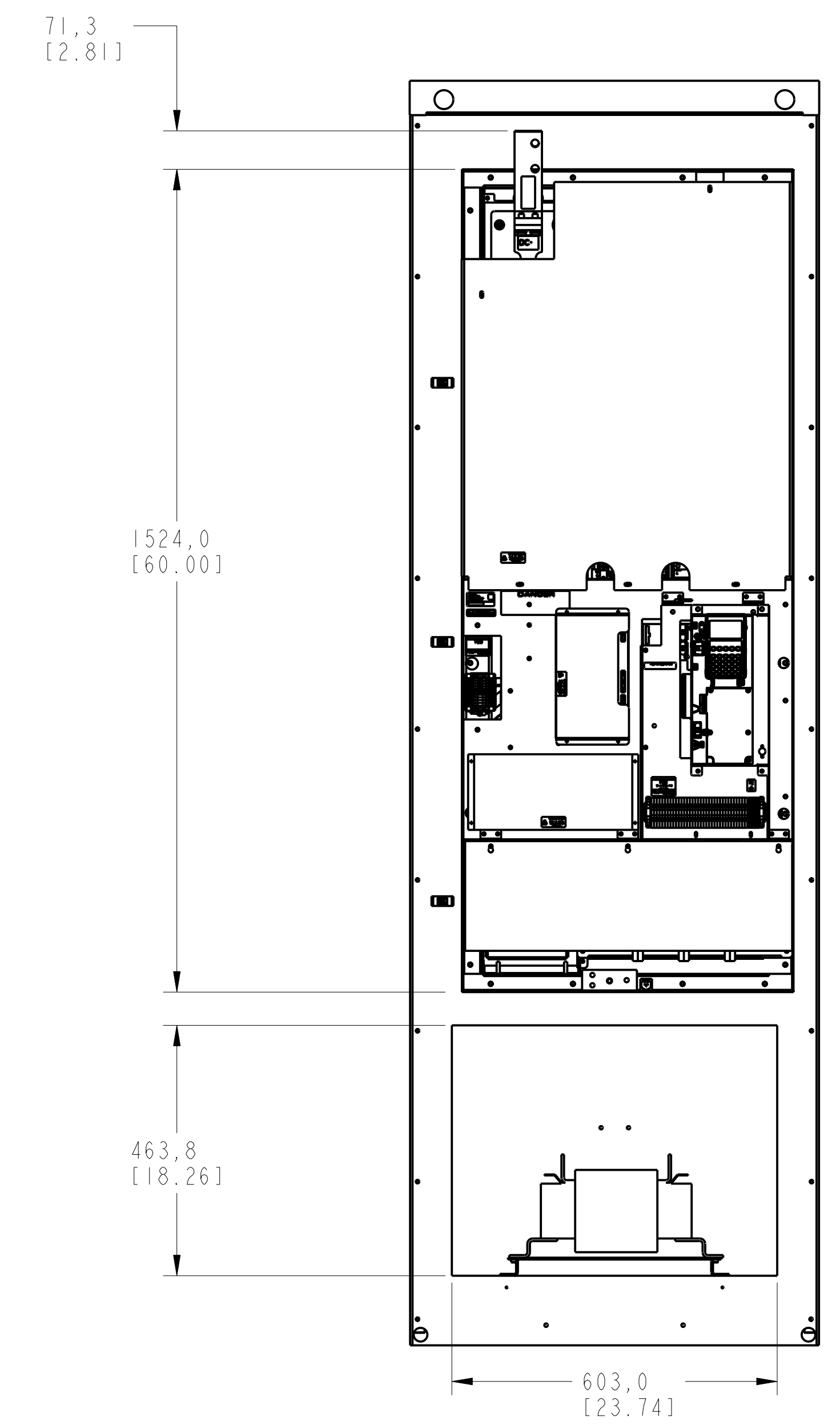
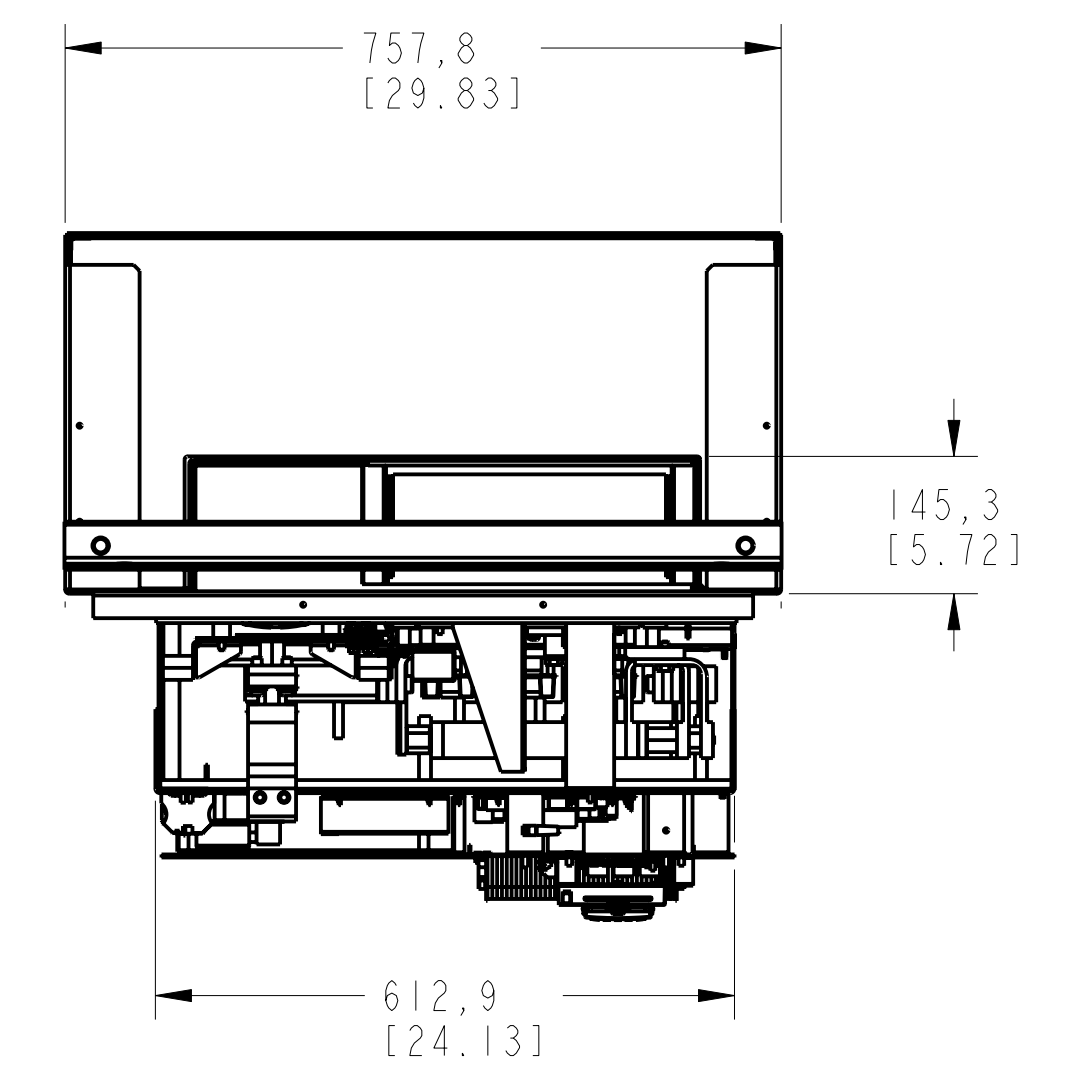
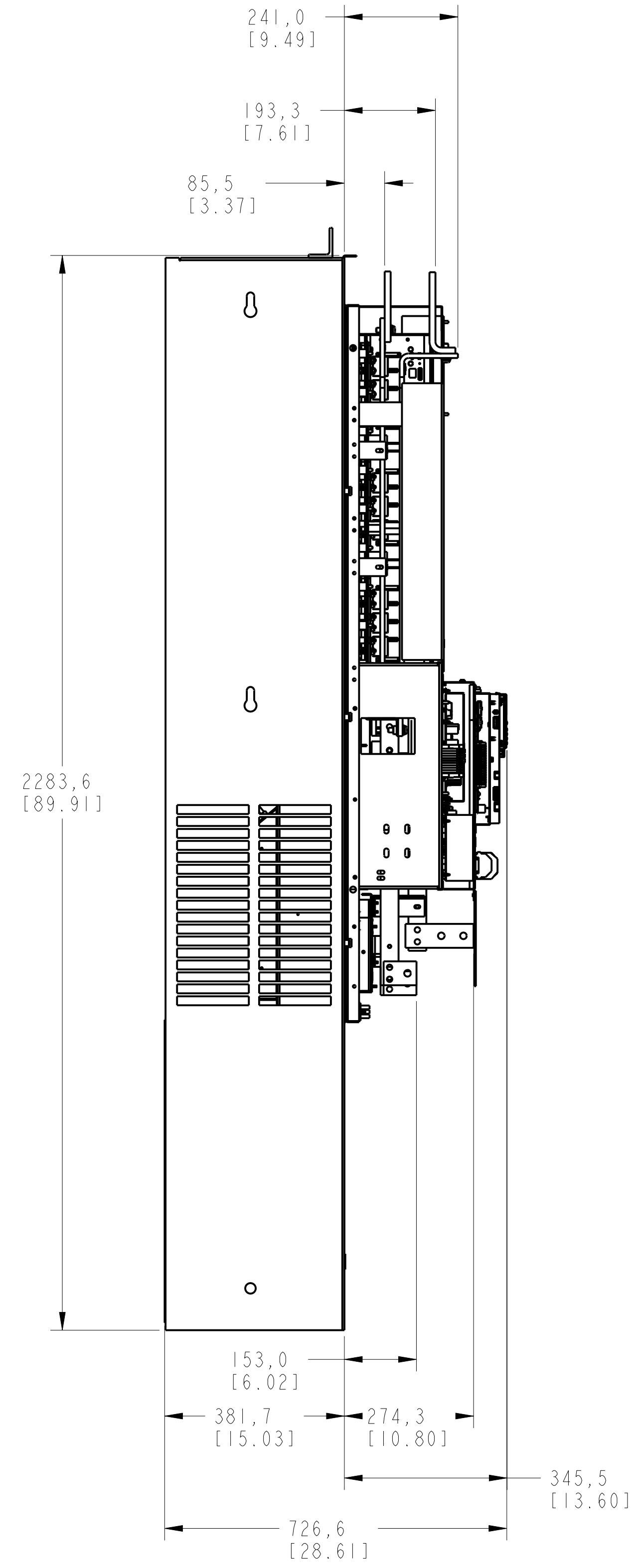
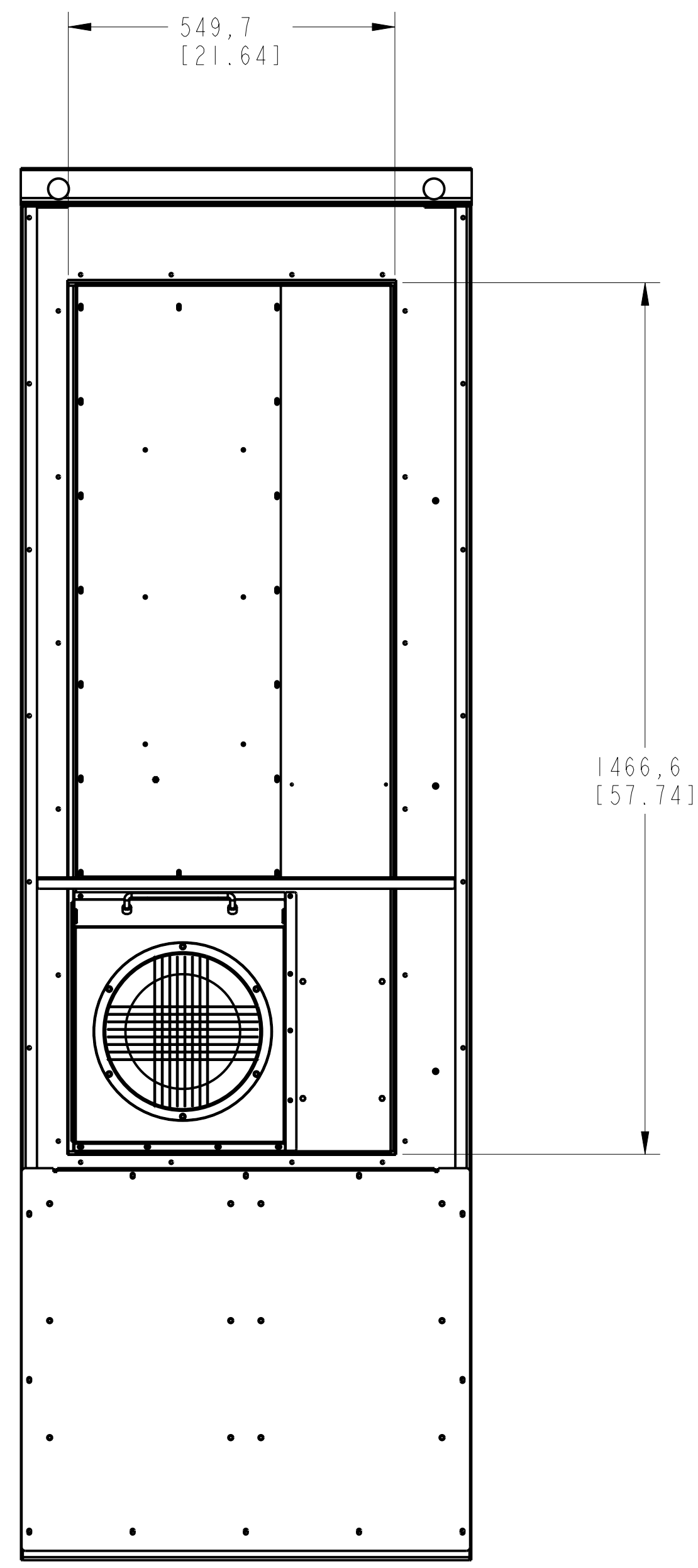


<p>Rockwell Automation</p> <p>OUTLINE DRAWING FRAME 8 AND 9 1 BAY OPEN PF700VC</p>		<p>CONFIDENTIAL AND PROPRIETARY INFORMATION THIS DOCUMENT CONTAINS CONFIDENTIAL AND PROPRIETARY INFORMATION OF ROCKWELL AUTOMATION, INC. AND MAY NOT BE USED, COPIED OR DISCLOSED TO OTHERS, EXCEPT WITH THE AUTHORIZED WRITTEN PERMISSION OF ROCKWELL AUTOMATION, INC.</p>	
		<p>Sheet 1 Of 4</p>	<p>Ver</p>
<p>Drawn by: IGUREVII</p>	<p>Date: 06-07-10</p>	<p>D</p>	<p>1000106546</p>

1 2 3 4 5 6 7 8

A
B
C
D
E
F
G
H

FRAME 8
15 INCH BACKPLANE
535A, AND 600A



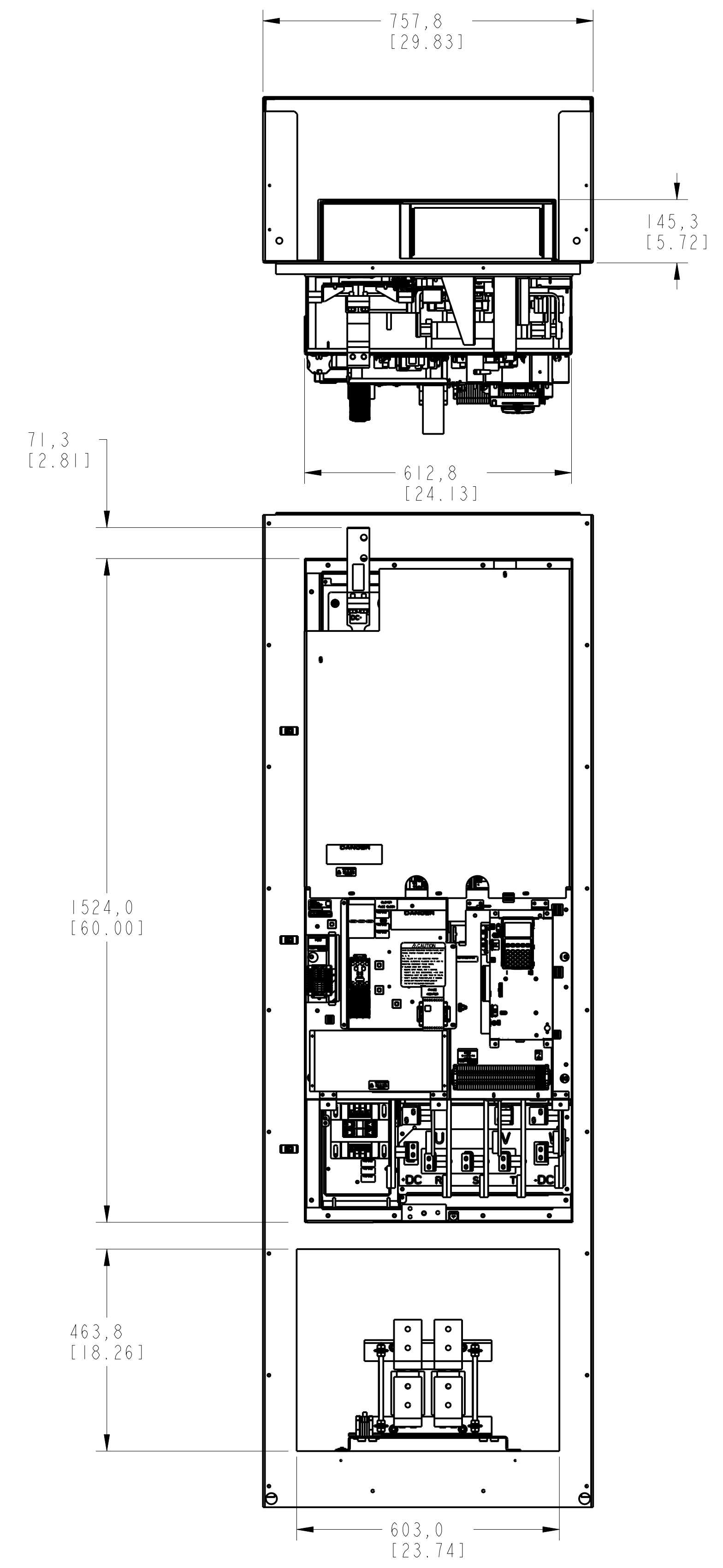
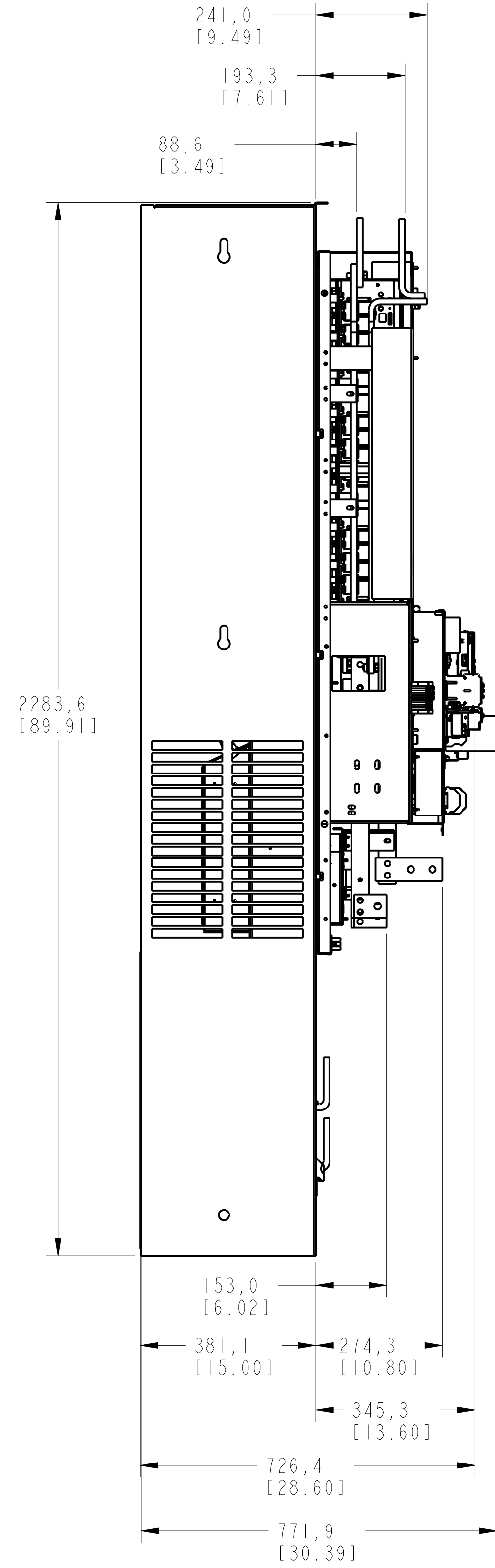
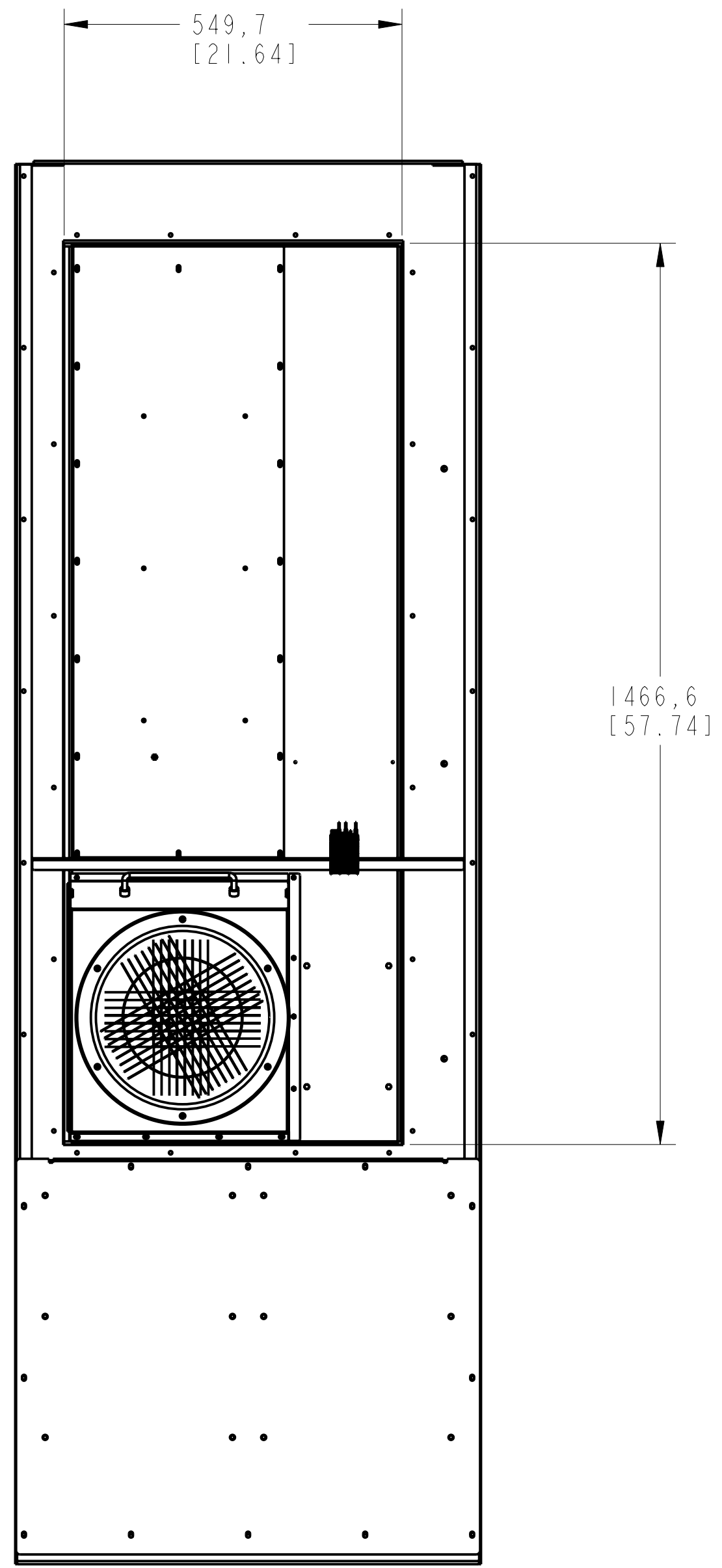
<p>Rockwell Automation</p> <p>OUTLINE DRAWING FRAME 8 AND 9 1 BAY OPEN PF700VC</p> <p>Drawn by: IUREVII Date: 06-07-10</p>		<p>CONFIDENTIAL AND PROPRIETARY INFORMATION THIS DOCUMENT CONTAINS CONFIDENTIAL AND PROPRIETARY INFORMATION OF ROCKWELL AUTOMATION, INC. AND MAY NOT BE USED, COPIED OR DISCLOSED TO OTHERS, EXCEPT WITH THE AUTHORIZED WRITTEN PERMISSION OF ROCKWELL AUTOMATION, INC.</p>	
		<p>Sheet 2 Of 4</p>	<p>Ver</p>
<p>D</p>	<p>10000106546</p>	<p>00</p>	<p></p>

1 2 3 4 5 6 7 8

A
B
C
D
E
F
G
H

FRAME 9 15 INCH BACKPLANE

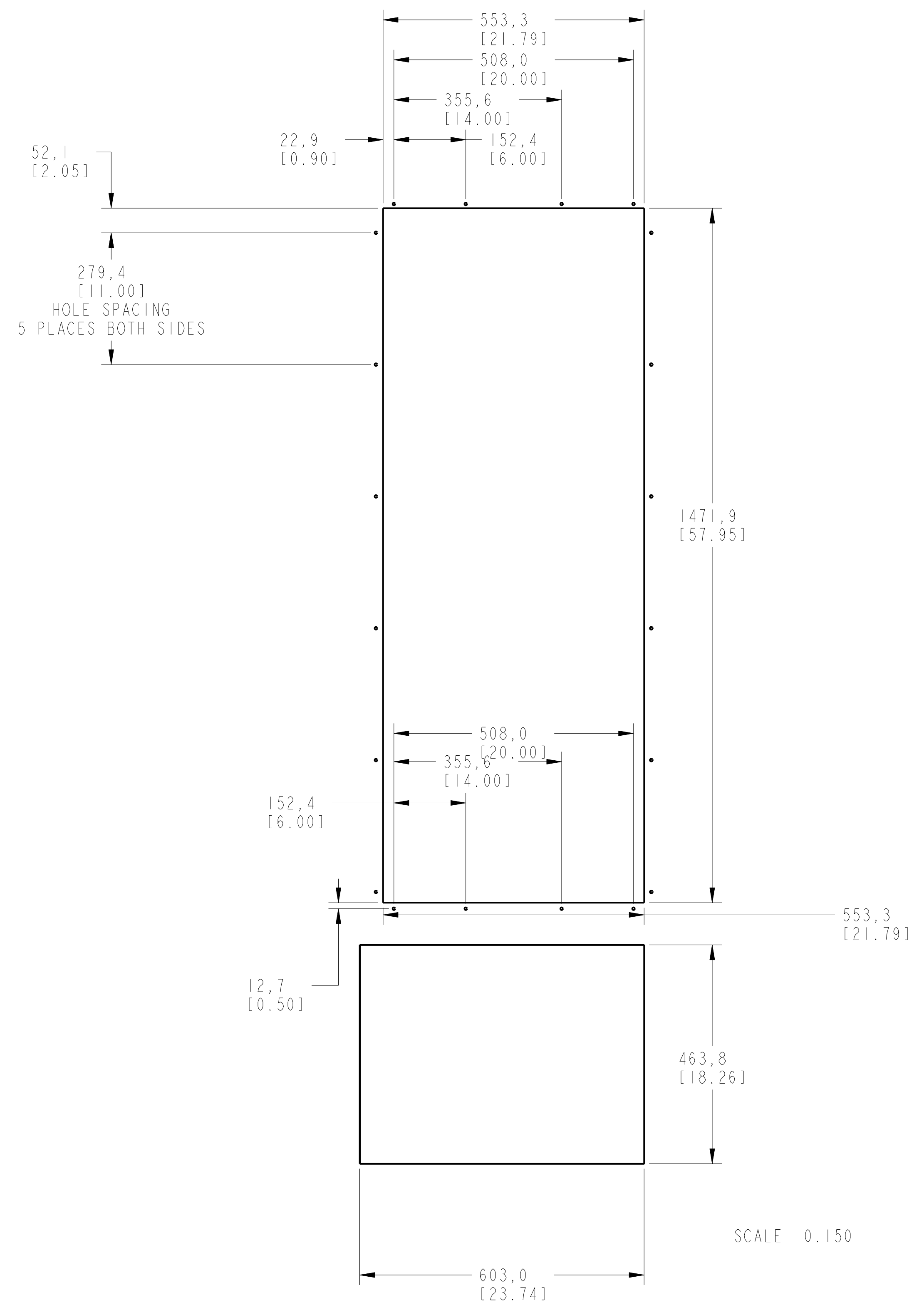
SCALE 0.125



Rockwell Automation OUTLINE DRAWING FRAME 8 AND 9 1 BAY OPEN PF700VC		<small>CONFIDENTIAL AND PROPRIETARY INFORMATION THIS DOCUMENT CONTAINS CONFIDENTIAL AND PROPRIETARY INFORMATION OF ROCKWELL AUTOMATION, INC. AND MAY NOT BE USED, COPIED OR DISCLOSED TO OTHERS, EXCEPT WITH THE AUTHORIZED WRITTEN PERMISSION OF ROCKWELL AUTOMATION, INC.</small>	
		Sheet 3 Of 4	Ver 00
Drawn by: IGUREVII	Date: 06-07-10	Size D	10000106546

1 2 3 4 5 6 7 8

A
B
C
D
E
F
G
H



CUTOUT FOR FRAME 8, AND 9

Rockwell Automation		<small>CONFIDENTIAL AND PROPRIETARY INFORMATION. THIS DOCUMENT CONTAINS CONFIDENTIAL AND PROPRIETARY INFORMATION OF ROCKWELL AUTOMATION, INC. AND MAY NOT BE USED, COPIED OR DISCLOSED TO OTHERS, EXCEPT WITH THE AUTHORIZED WRITTEN PERMISSION OF ROCKWELL AUTOMATION, INC.</small>	
		Sheet 4 Of 4	
OUTLINE DRAWING FRAME 8 AND 9, 1 BAY OPEN PF700VC		Size D	Ver 00
Drawn by: IGUREVII		Date: 06-10-10	
		10000106546	