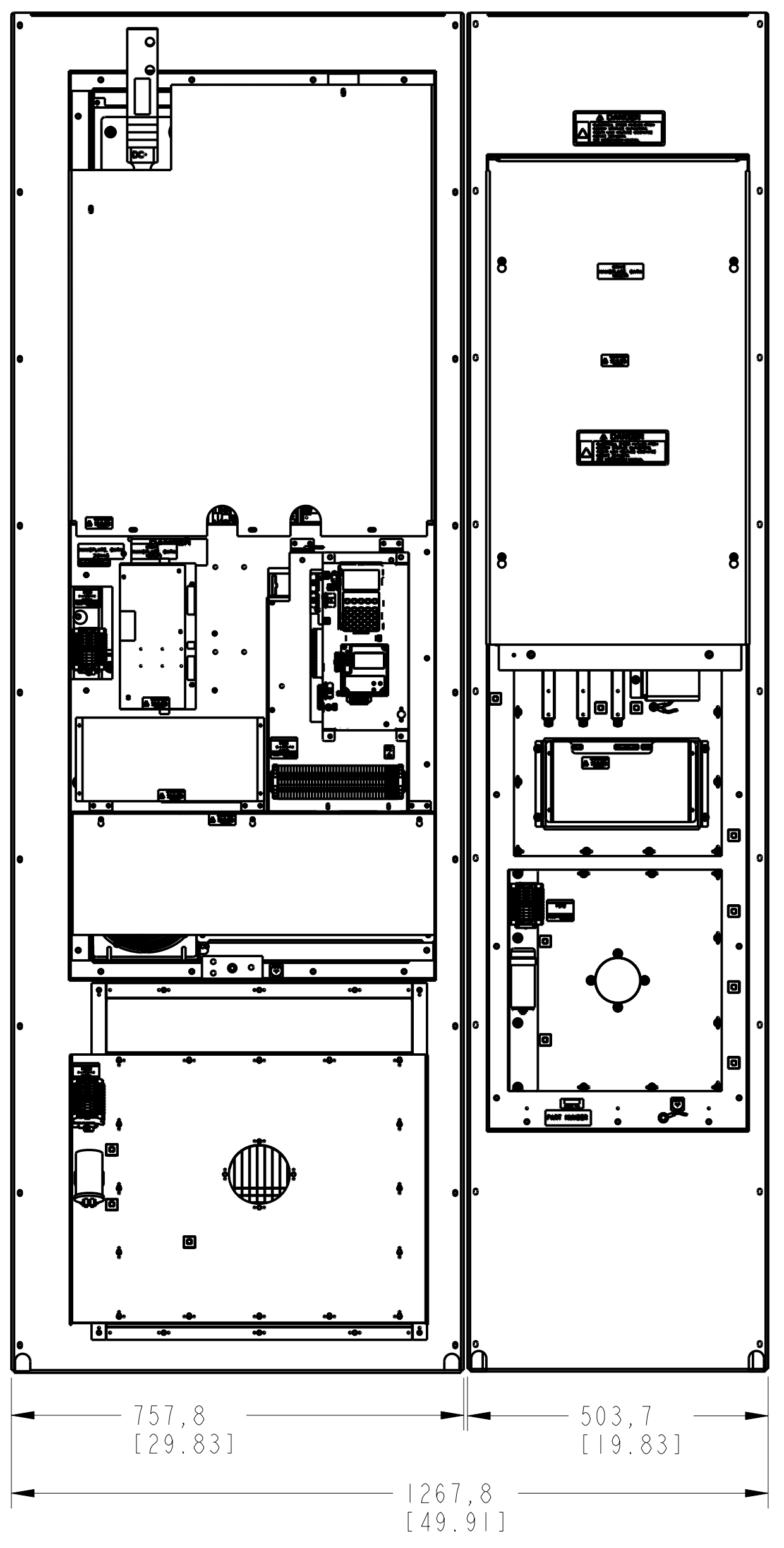
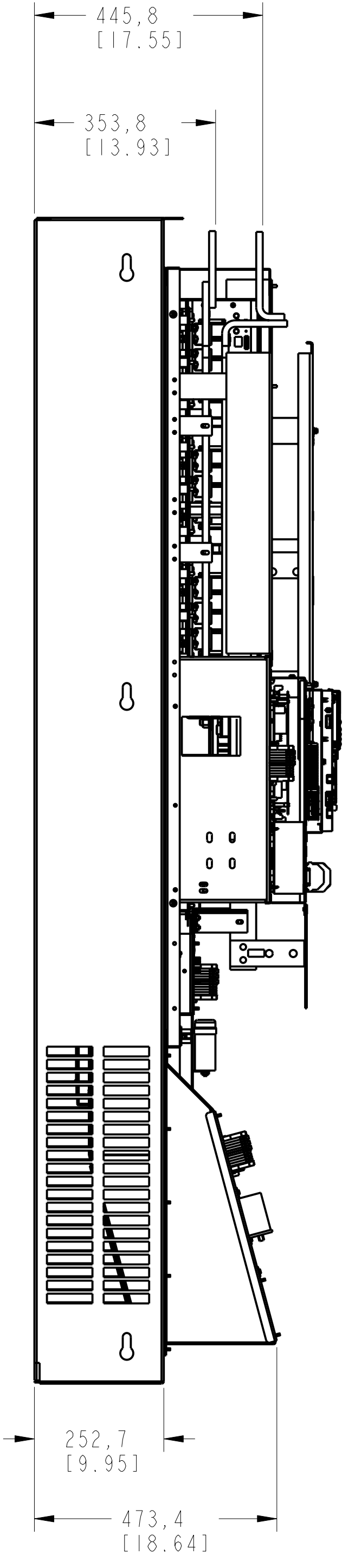
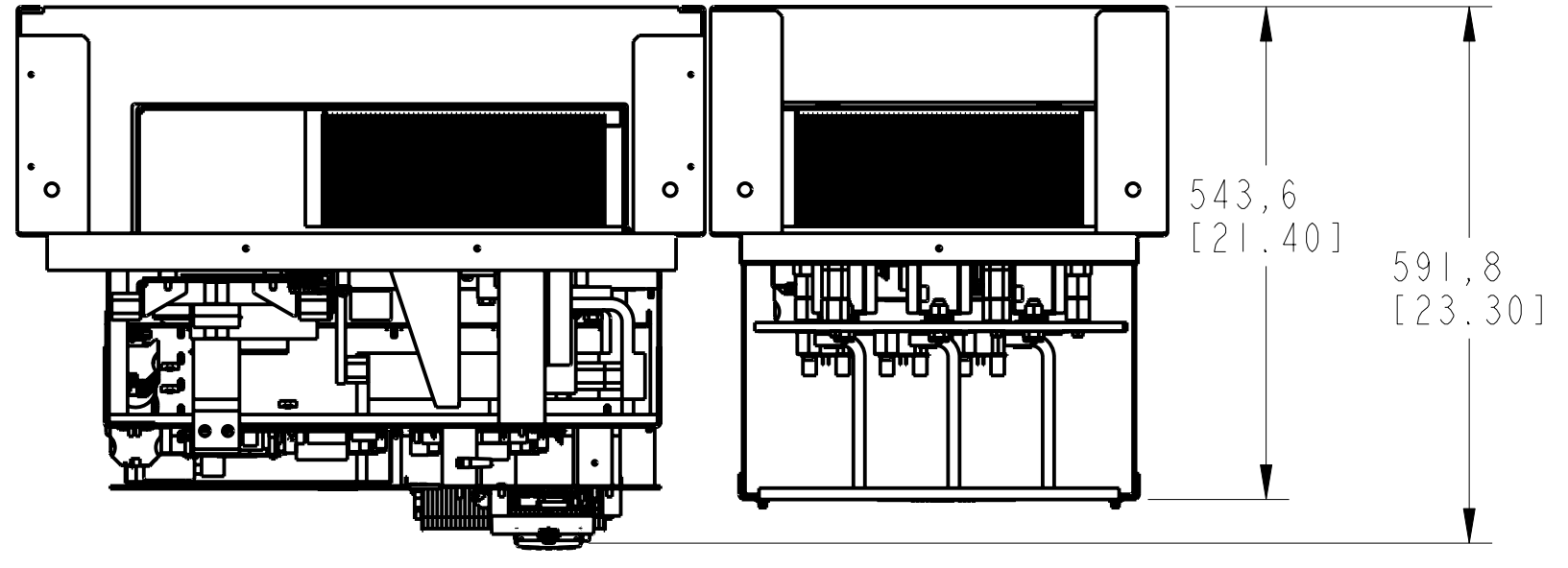
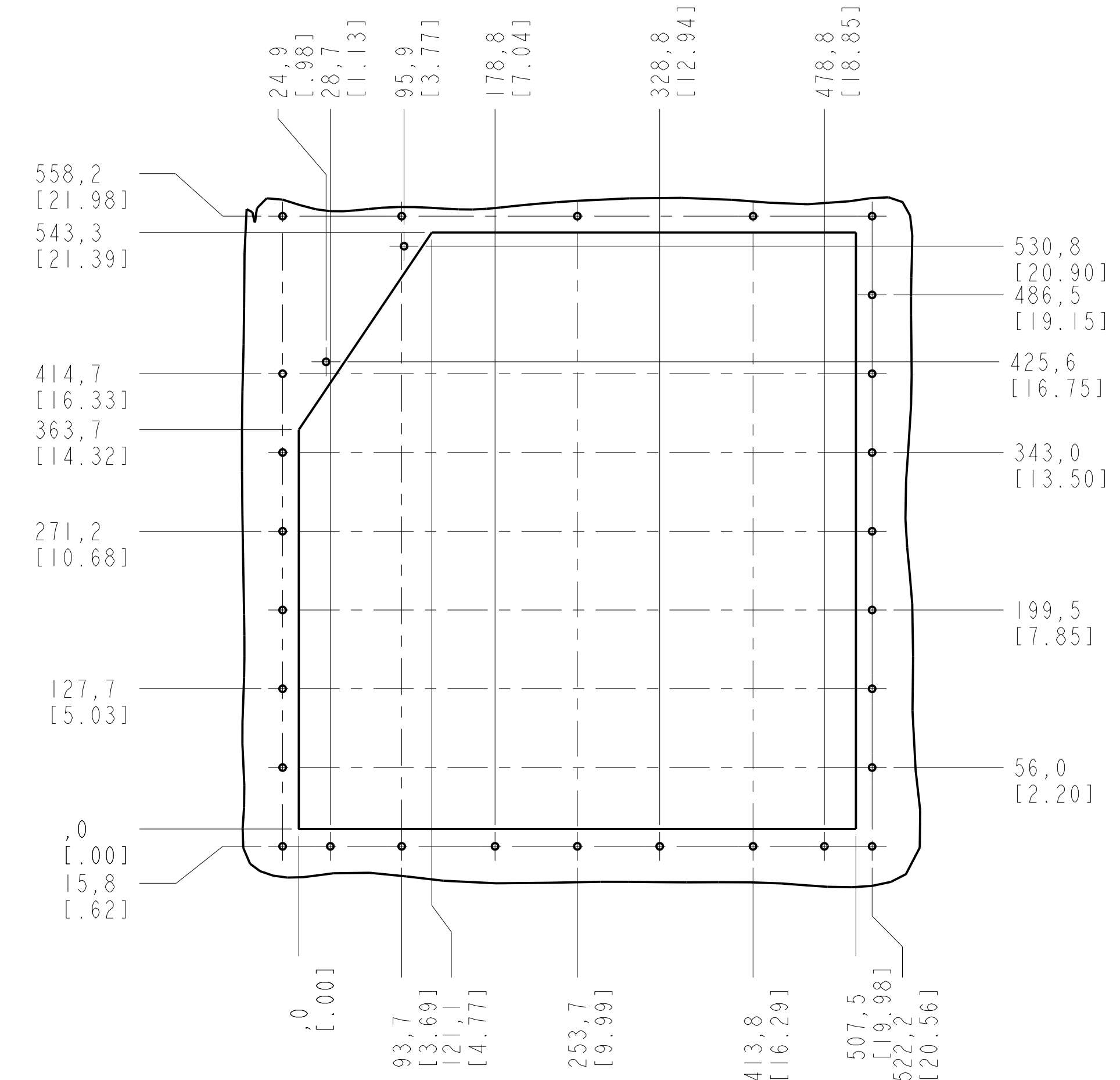
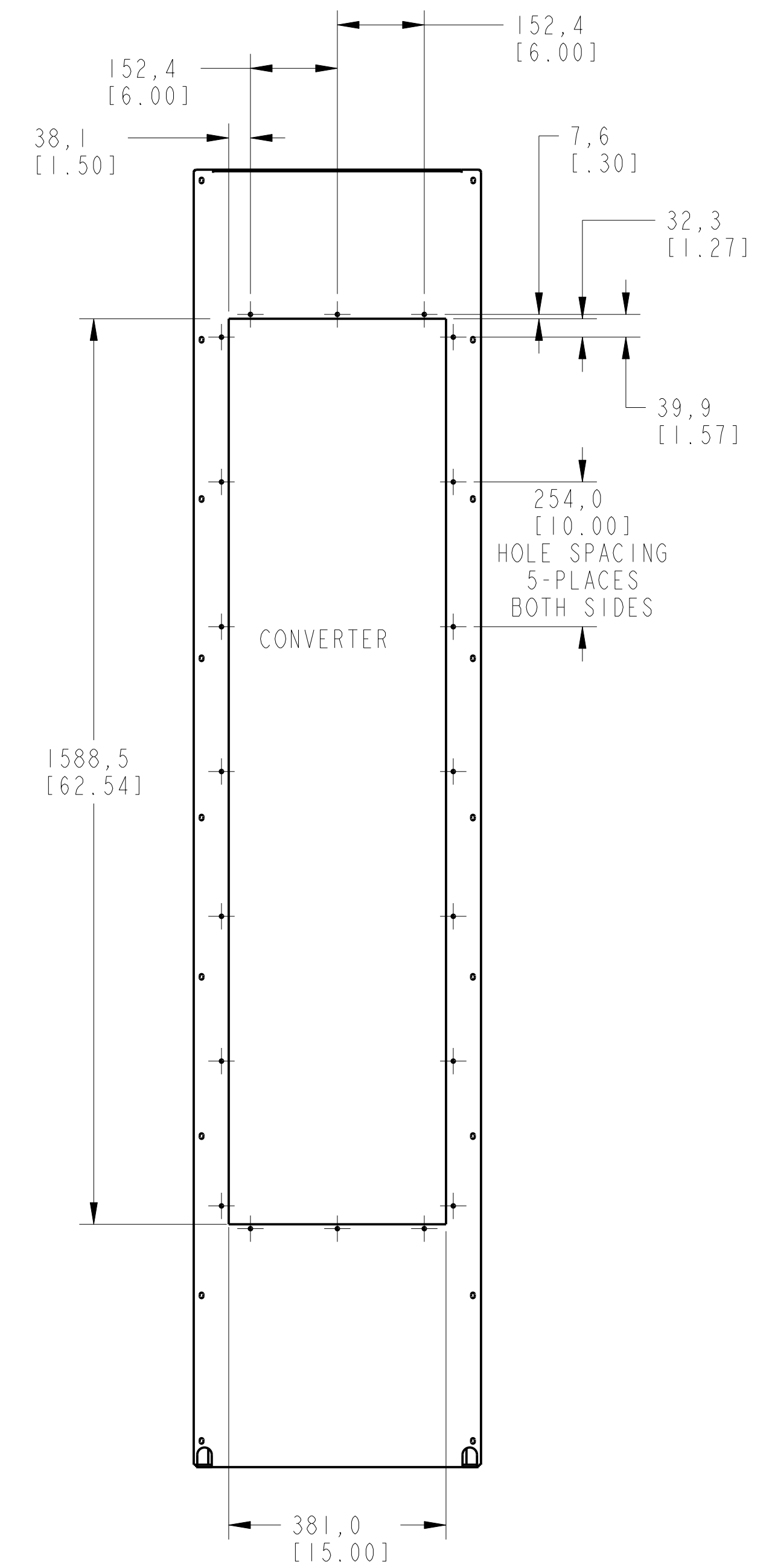
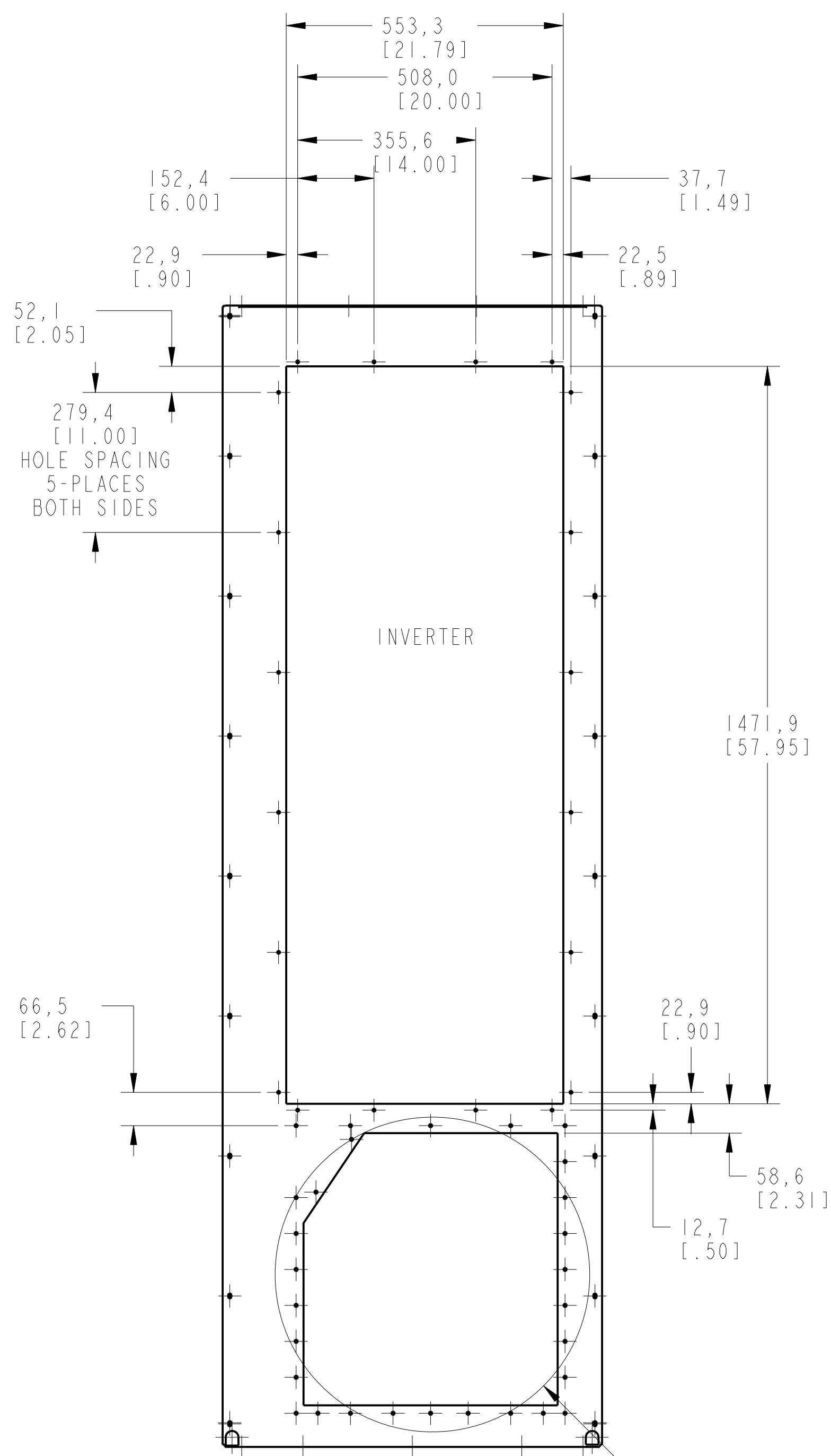


1 2 3 4 5 6 7 8

A
B
C
D
E
F
G
H



		<small>CONFIDENTIAL AND PROPRIETARY INFORMATION. THIS DOCUMENT CONTAINS CONFIDENTIAL AND PROPRIETARY INFORMATION OF ROCKWELL AUTOMATION, INC. AND MAY NOT BE USED, COPIED OR DISCLOSED TO OTHERS, EXCEPT WITH THE AUTHORIZED WRITTEN PERMISSION OF ROCKWELL AUTOMATION, INC.</small>	
		Sheet 1 Of 2	
OUTLINE DRAWING FRAME 10 2BAY OPEN PF700VC		Size D	Ver 00
Drawn by: IGUREVII Date: 07-28-10		1000106536	



DETAIL A
SCALE 0.250