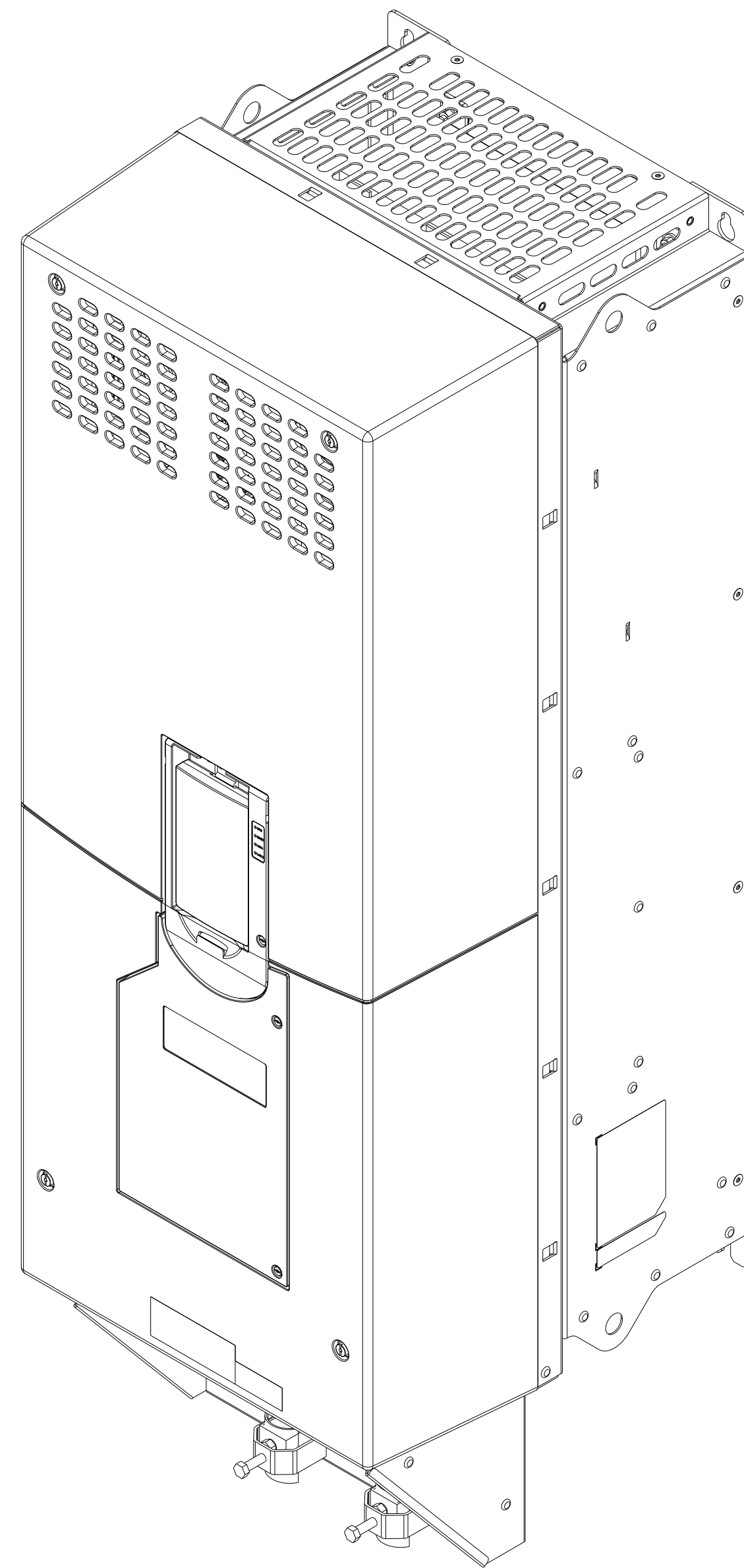
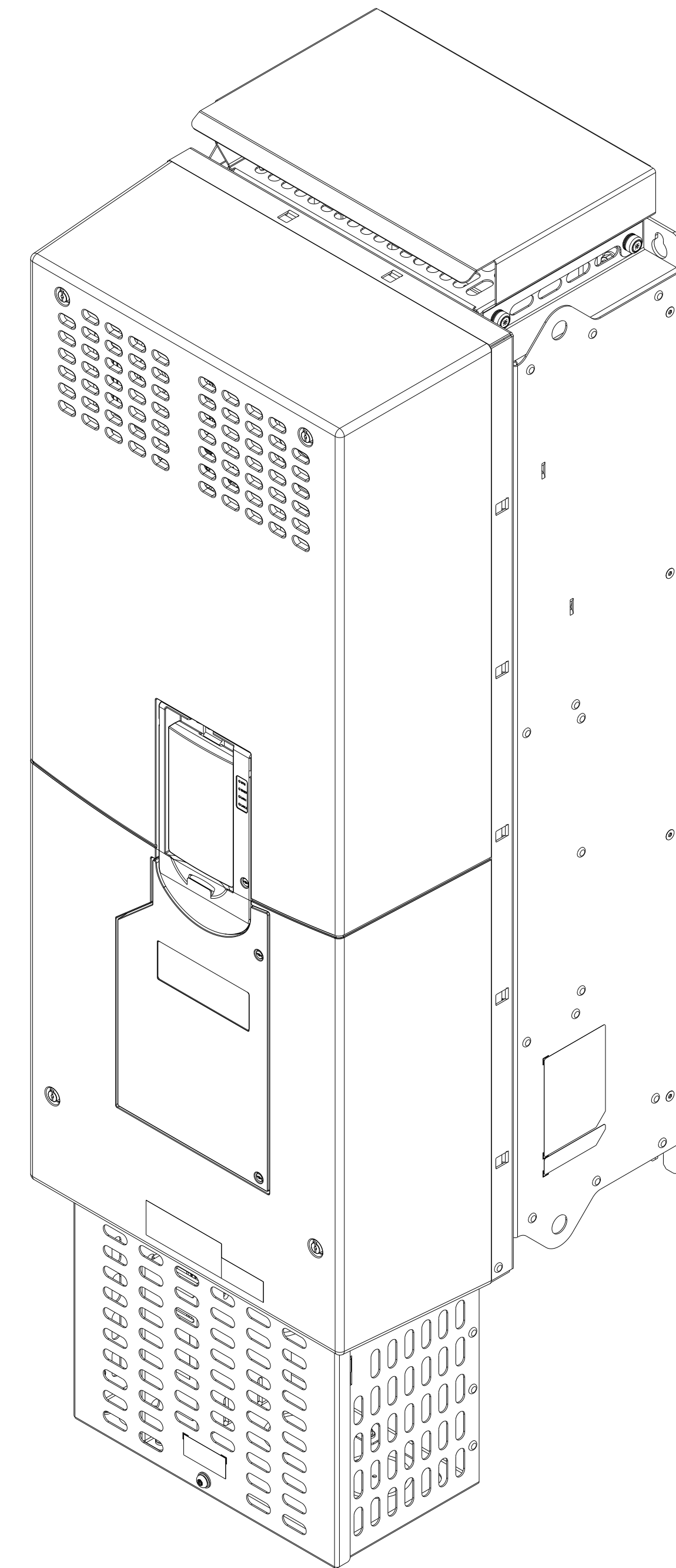


IP00 / UL OPEN TYPE



IP00 / UL OPEN TYPE
WITH GROUND PLATE

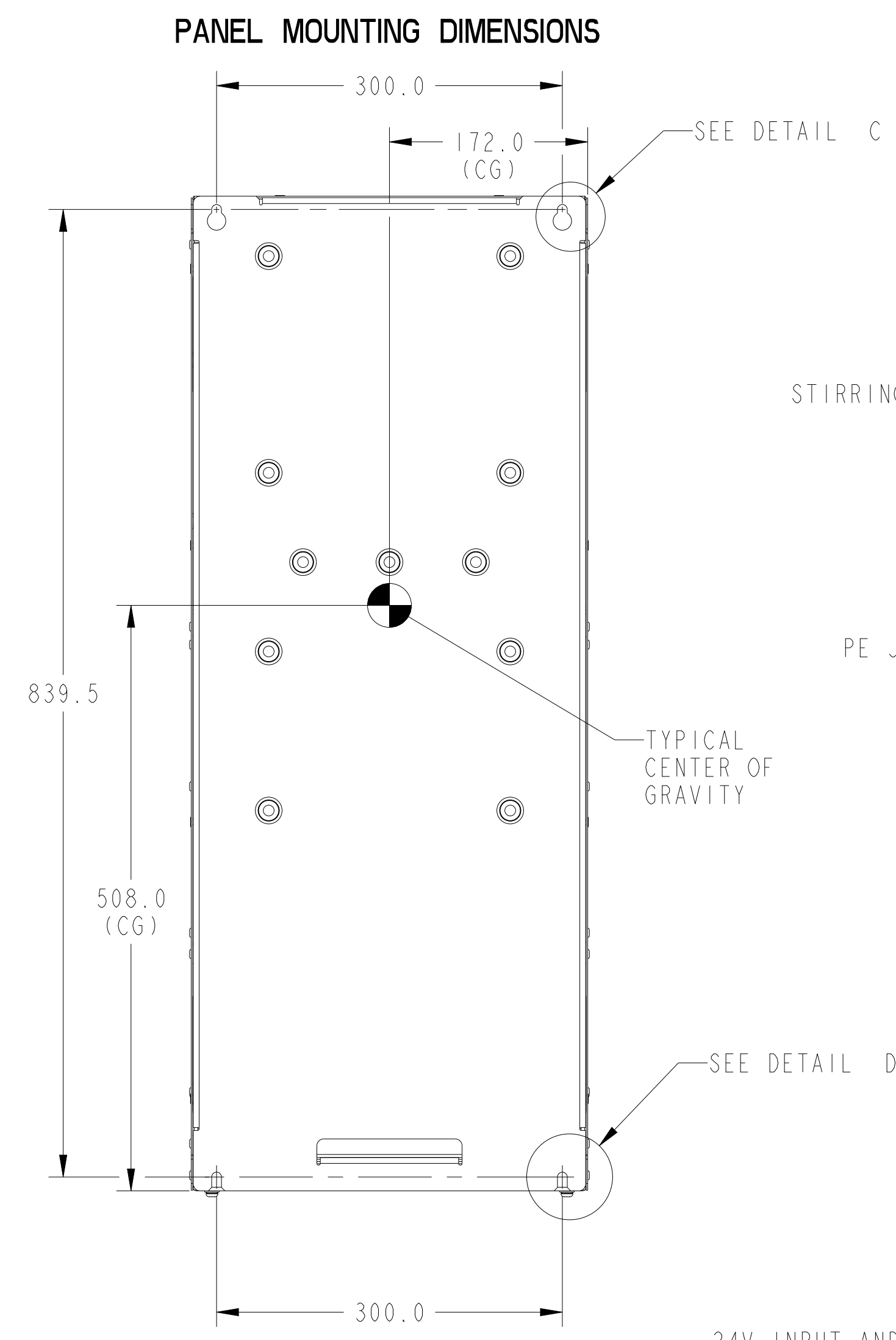
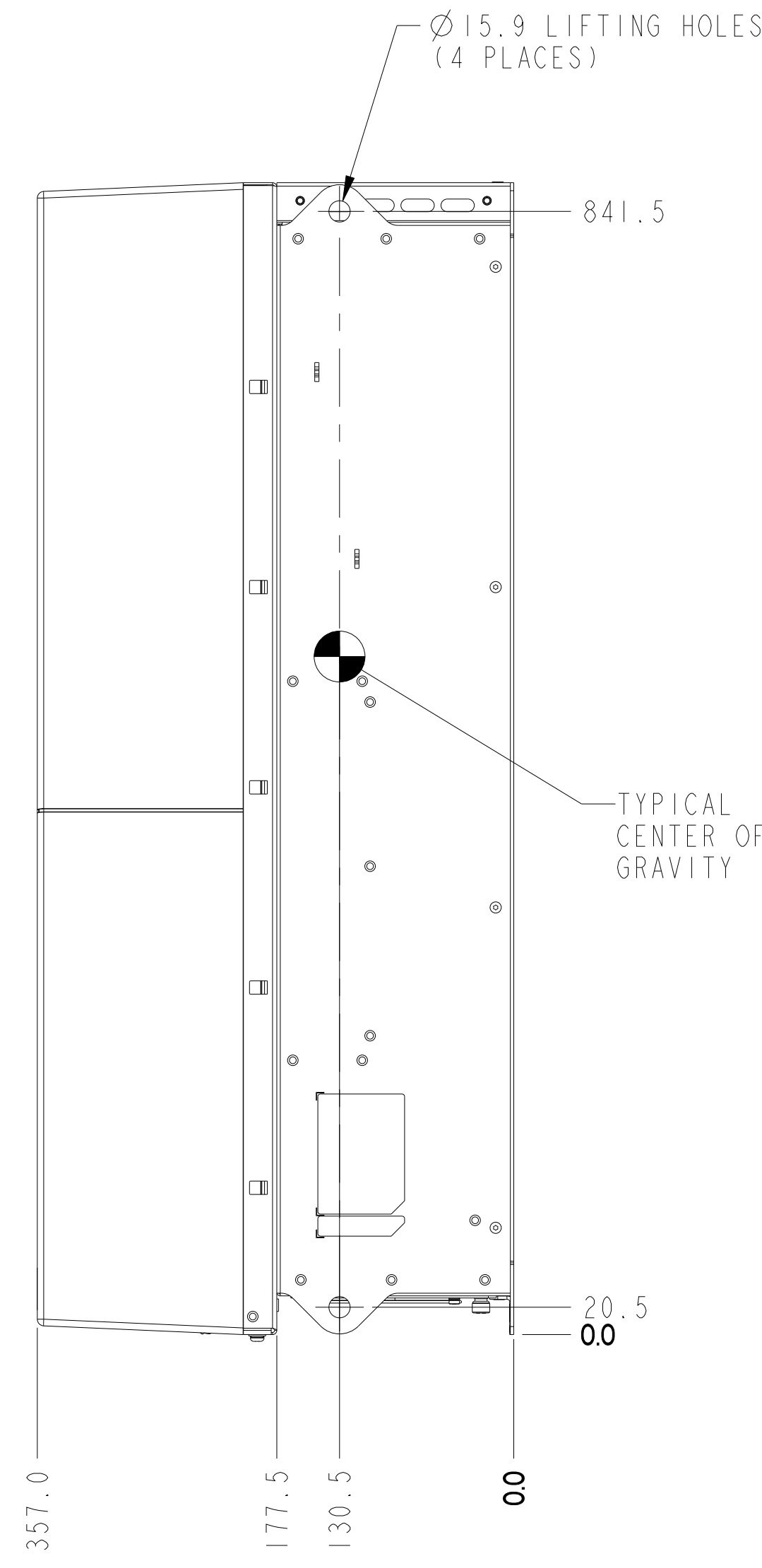
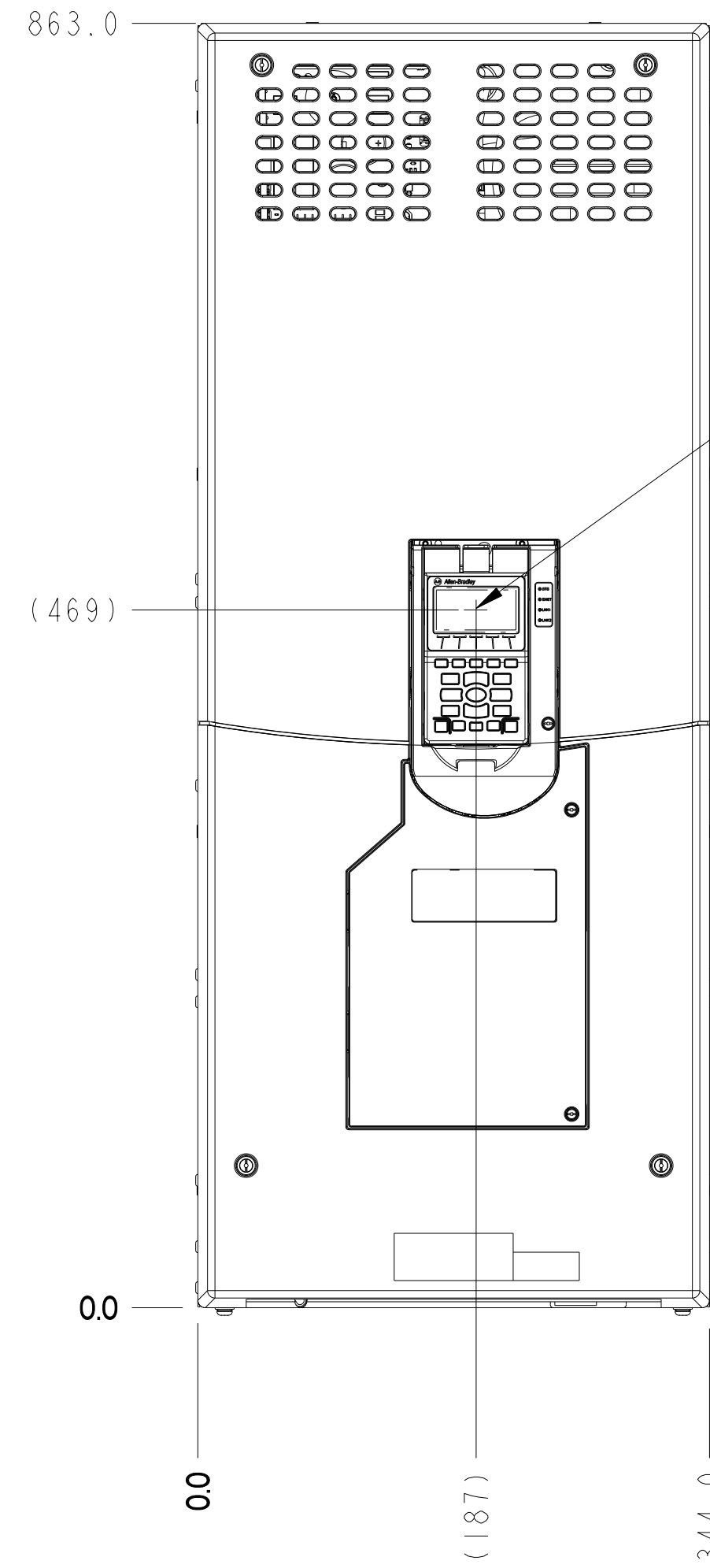


IP20 / UL TYPE 1

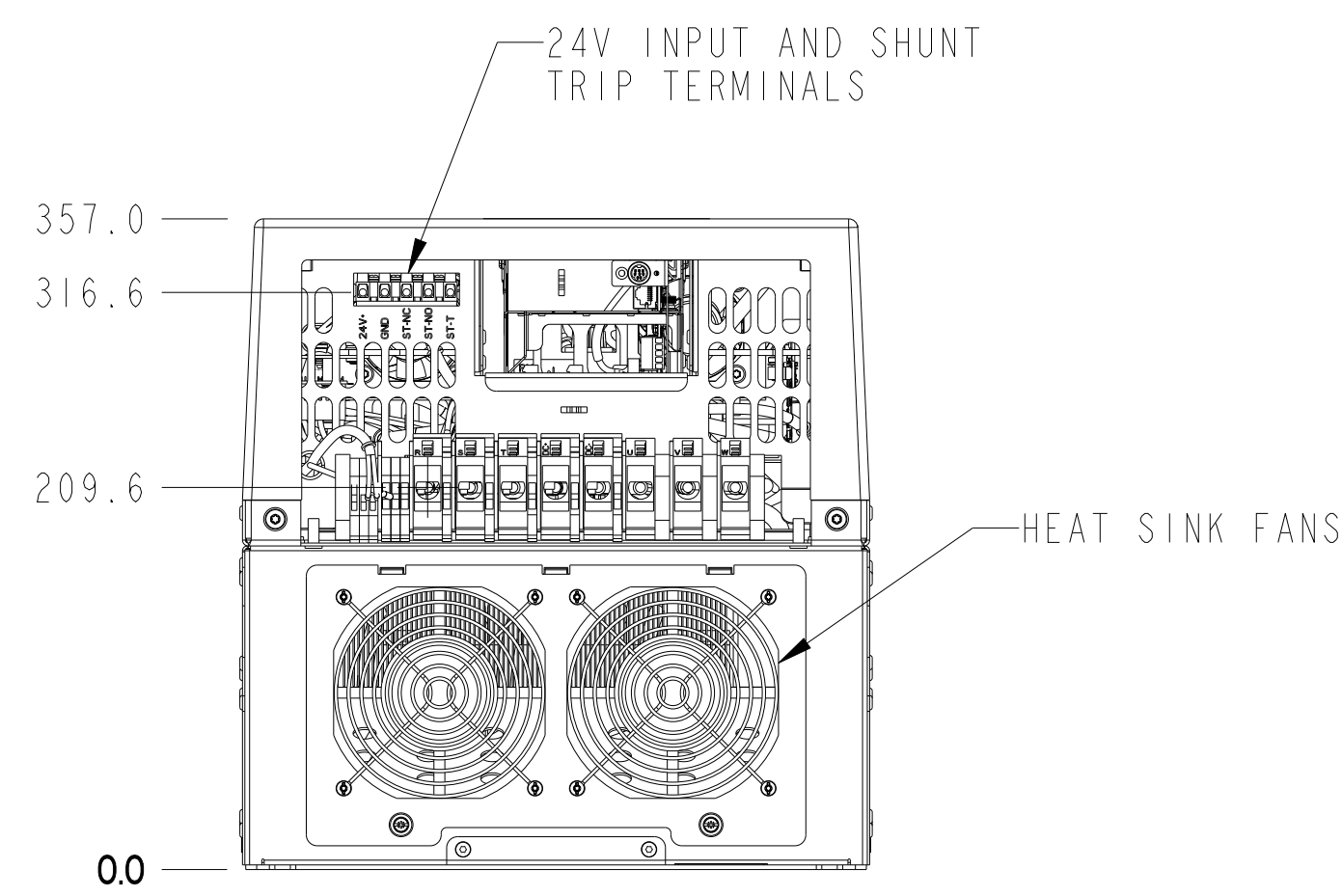
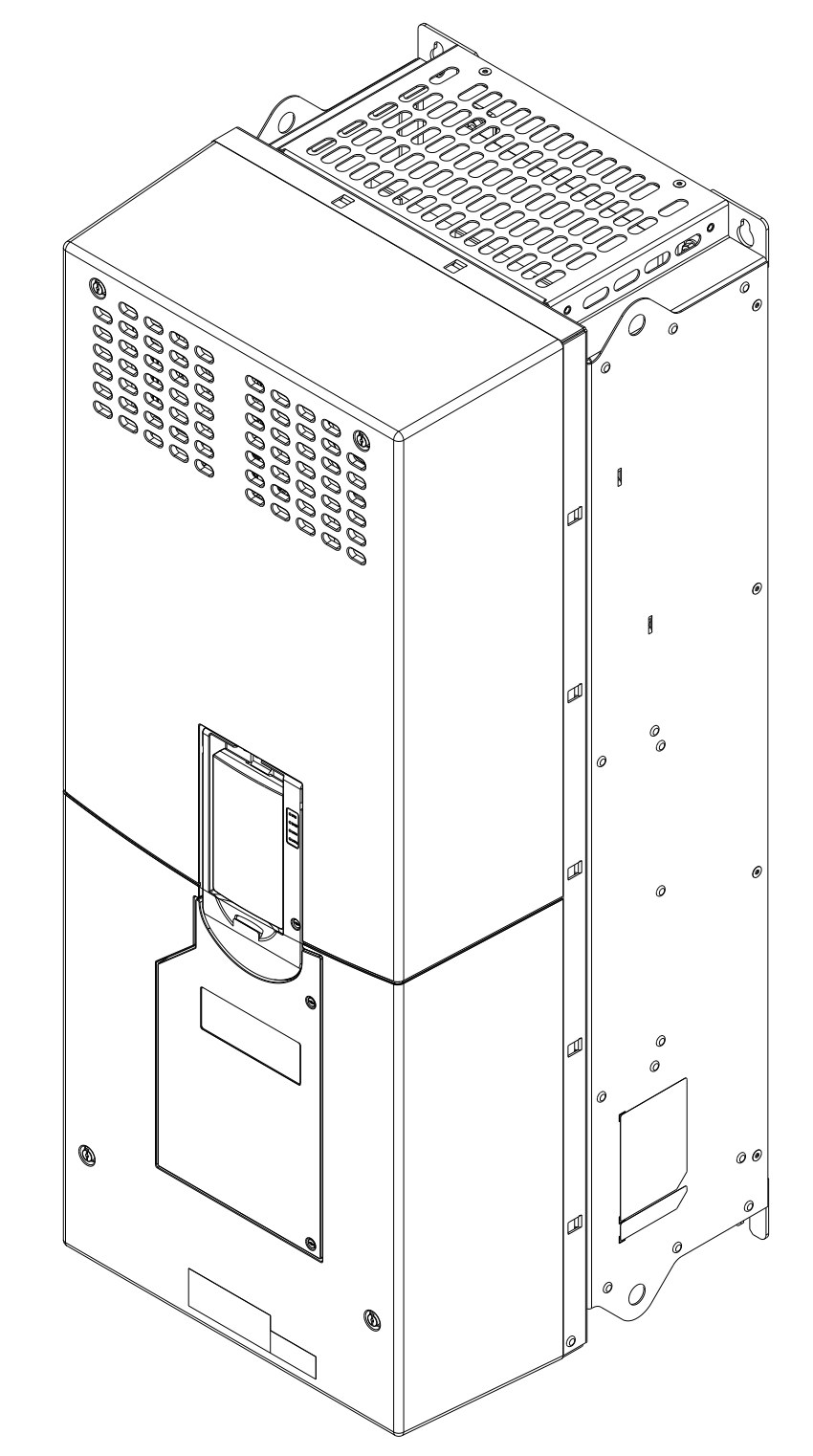
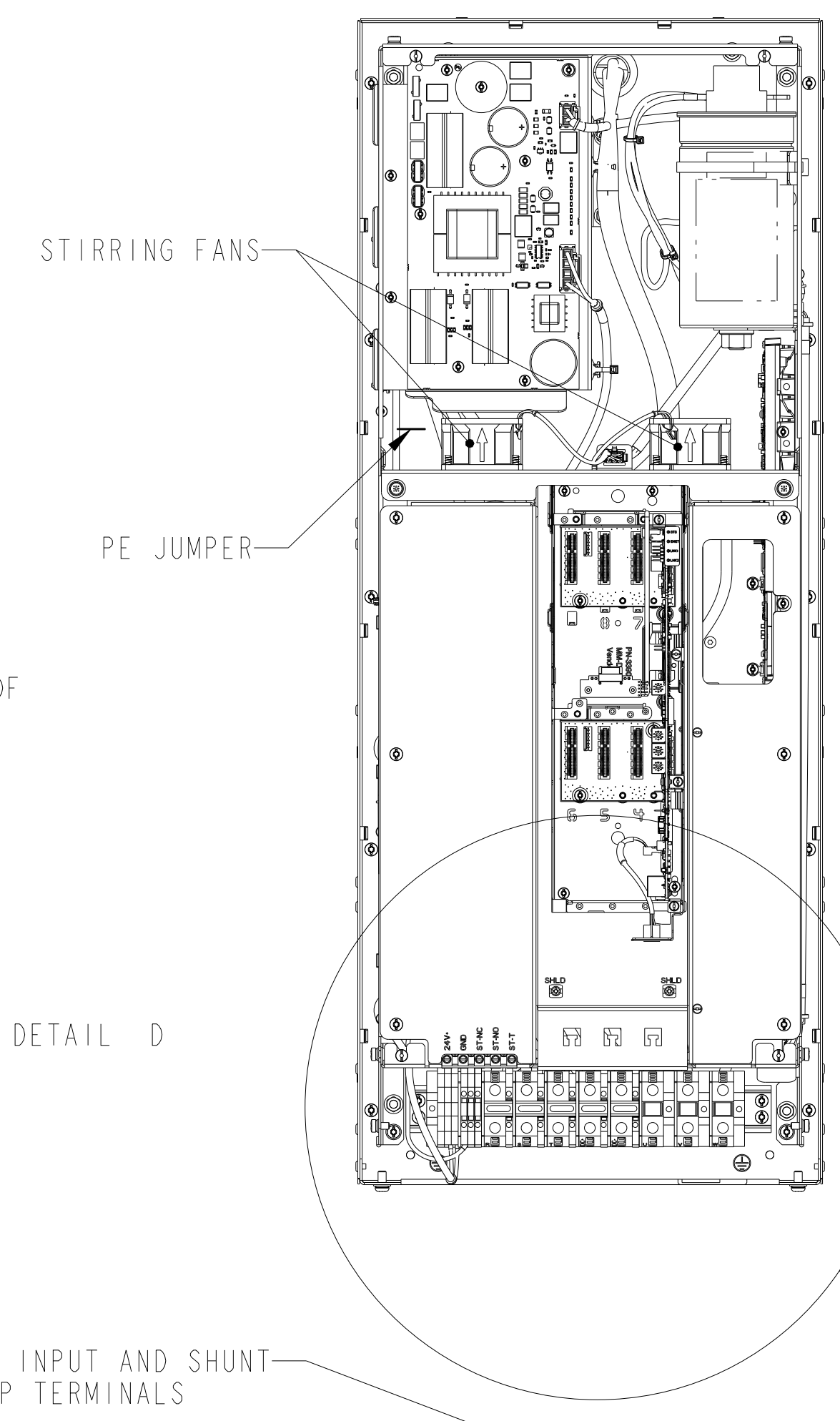
ESTIMATED MAX WEIGHT:
73kg (160 lbs)

ALL UNDIMENSIONED GEOMETRIES ARE CONTROLLED BY THE CAD MODEL. IN CASE OF DIMENSION DISCREPANCY, CAD MODEL OVERRIDES.		Rockwell Automation		<small>CONFIDENTIAL AND PROPRIETARY INFORMATION. THIS DOCUMENT CONTAINS CONFIDENTIAL AND PROPRIETARY INFORMATION OF ROCKWELL AUTOMATION, INC. AND MAY NOT BE USED, COPIED OR DISCLOSED TO OTHERS, EXCEPT WITH THE AUTHORIZED WRITTEN PERMISSION OF ROCKWELL AUTOMATION, INC.</small>	
THIRD ANGLE PROJECTION 		DESCRIPTION PF755T, AFEF5, INSTALLATION SPECIFICATION		DATE: 2018-10-25 SIZE: D	SHEET 1 OF 4 VER: 01
		CREATED BY: KBLOK CHANGED BY: KBLOK		D 10003933511	

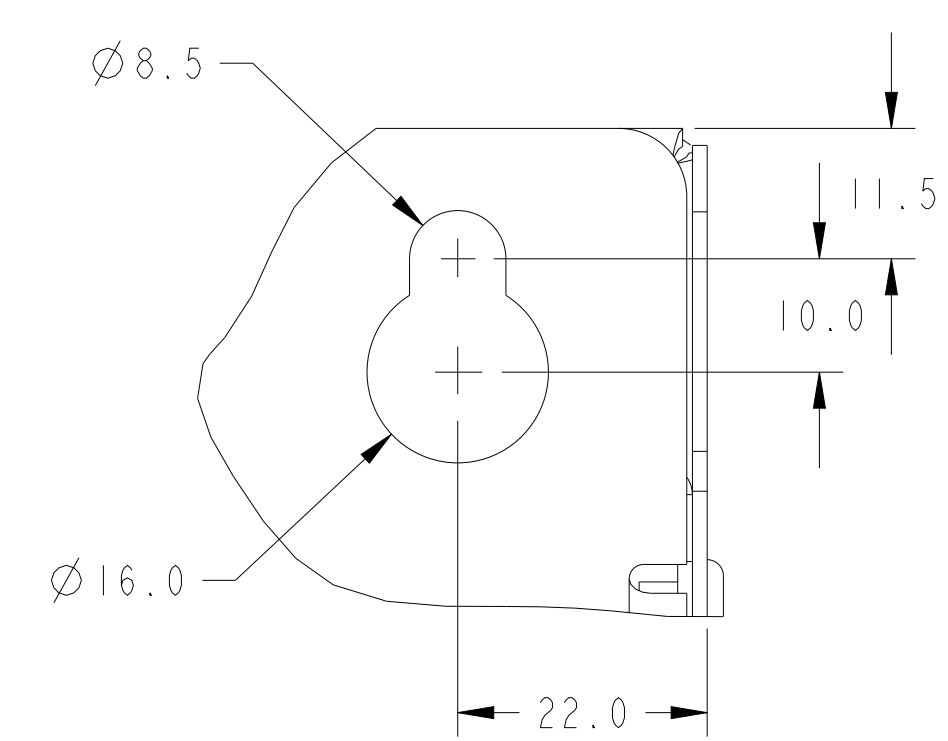
IP00 / UL OPEN TYPE



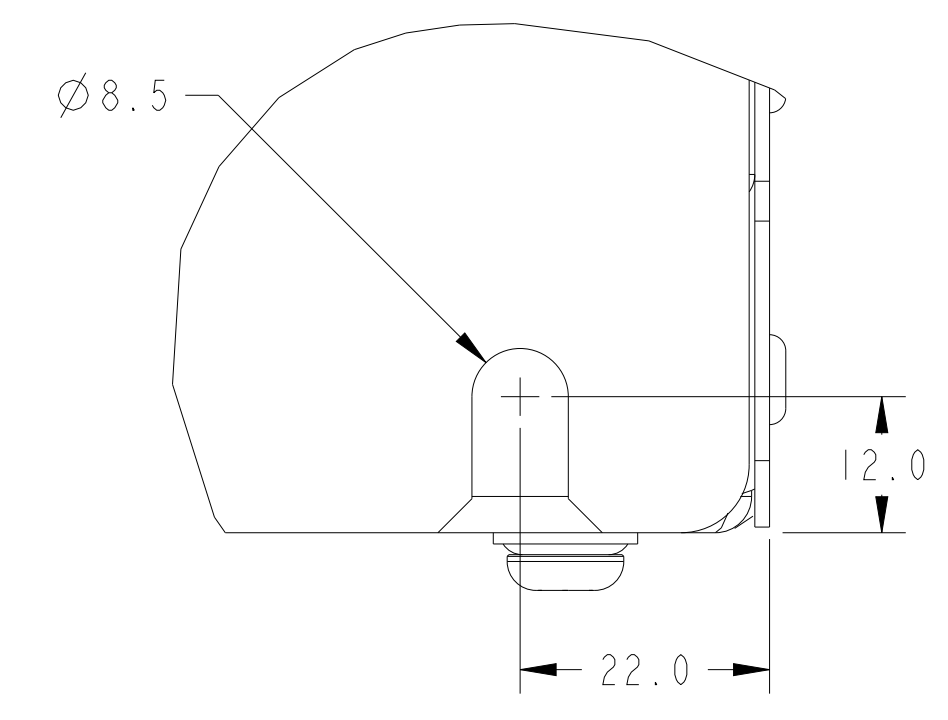
COVER AND HIM BEZEL REMOVED



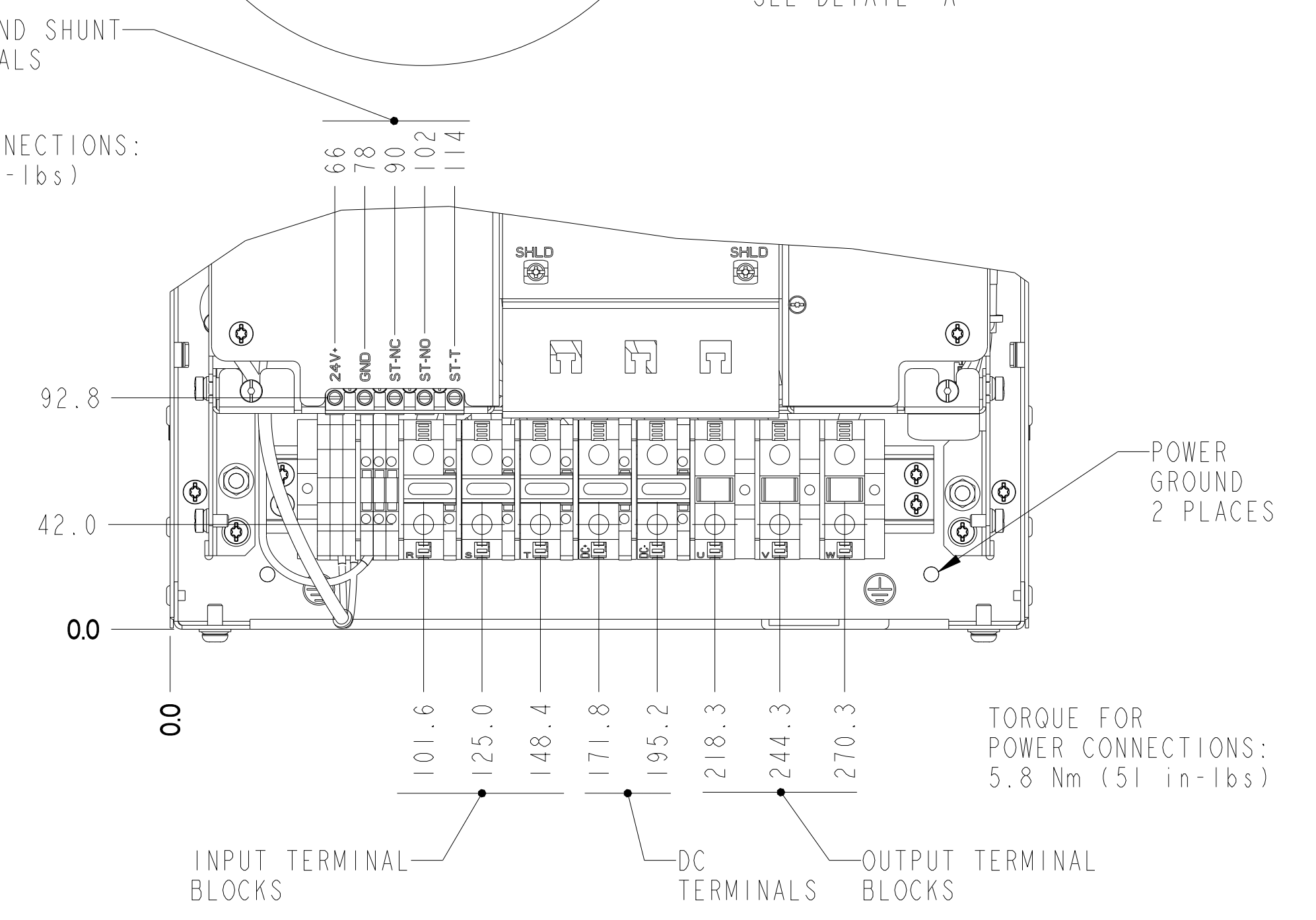
DETAIL C
UPPER MOUNTING HOLES
2 PLACES
SCALE 1.500



DETAIL D
LOWER MOUNTING HOLES
2 PLACES
SCALE 1.500



TORQUE FOR AUXILIARY CONNECTIONS:
0.56 Nm (5 in-lbs)

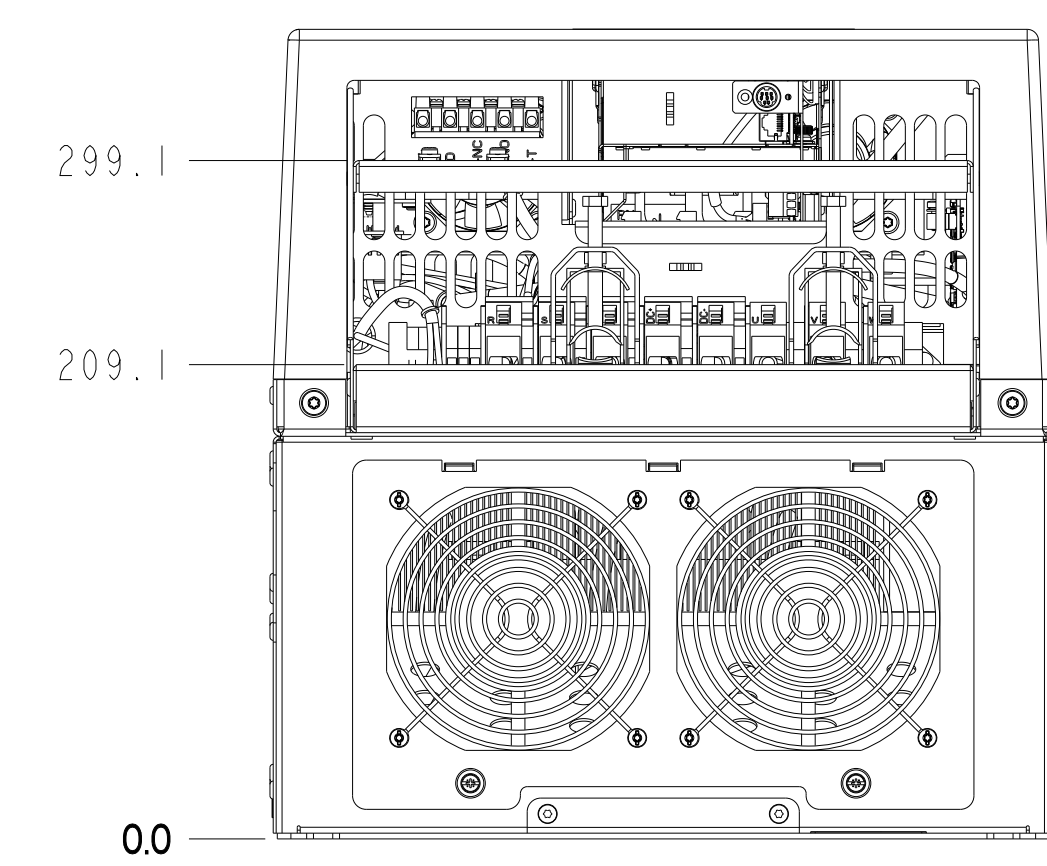
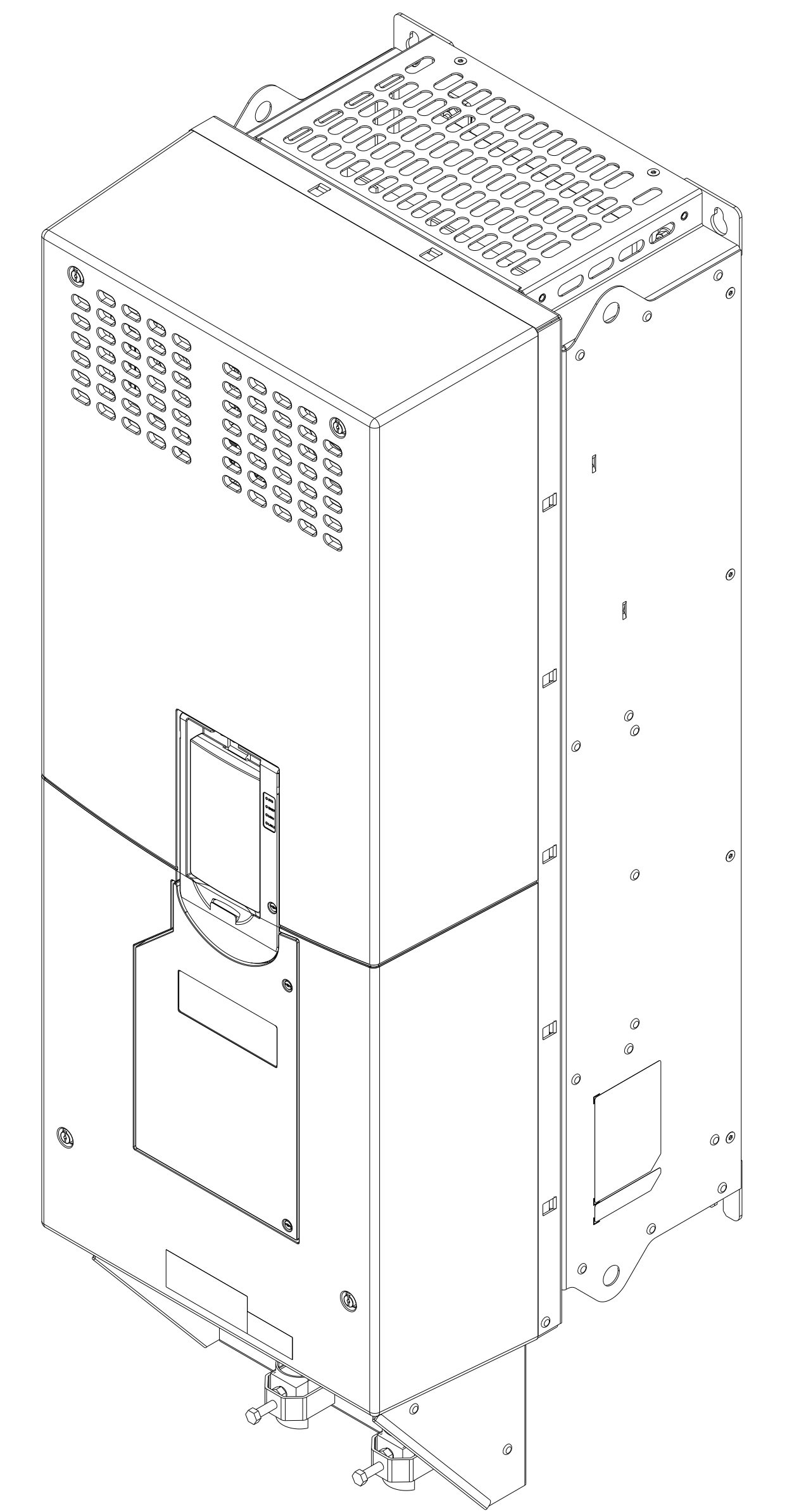
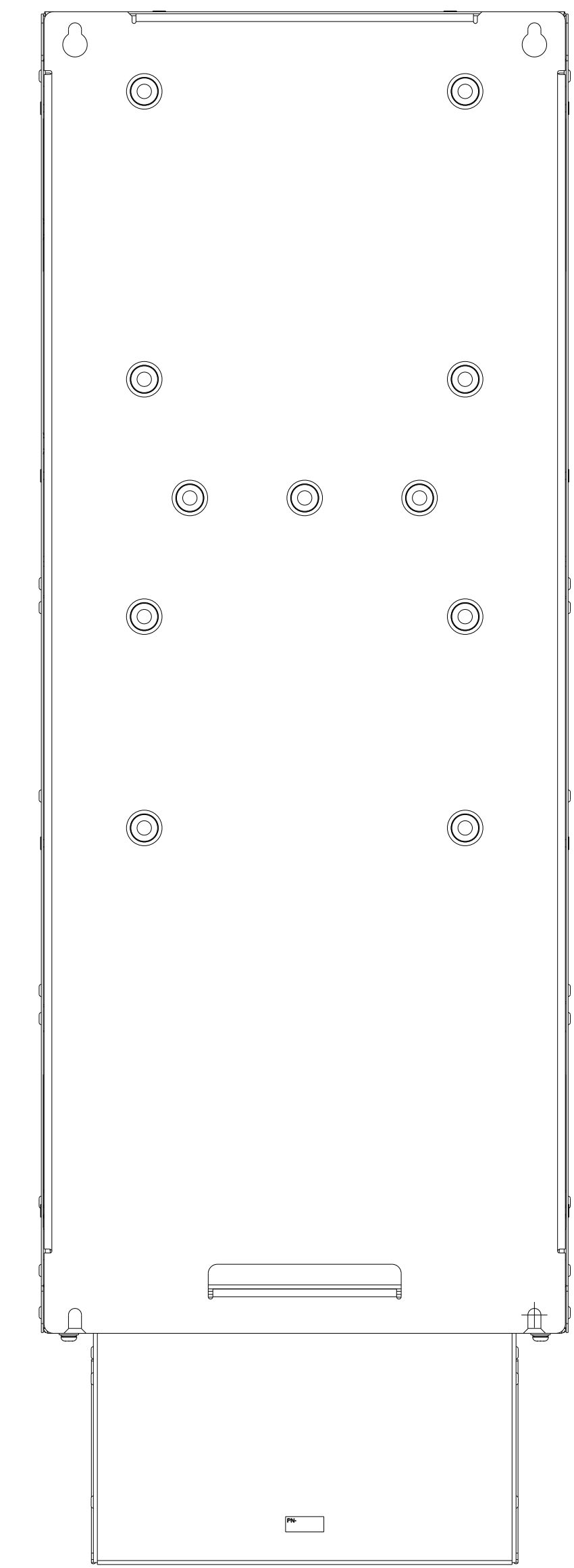
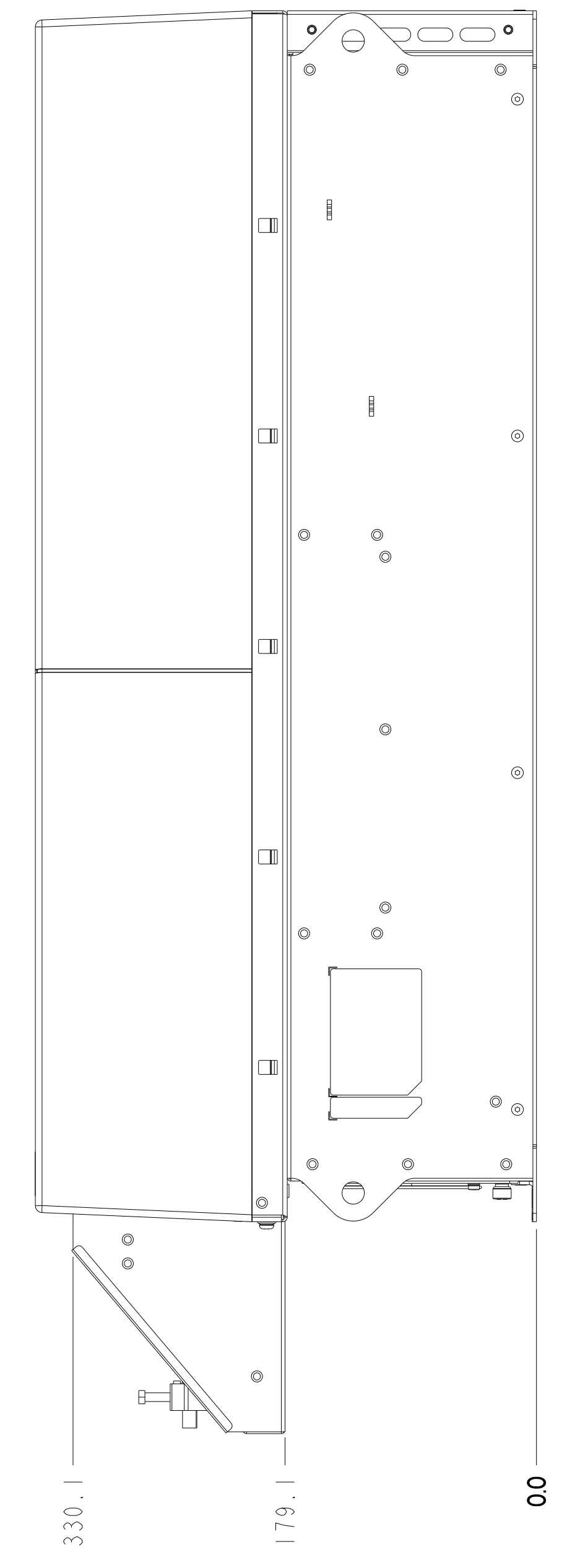
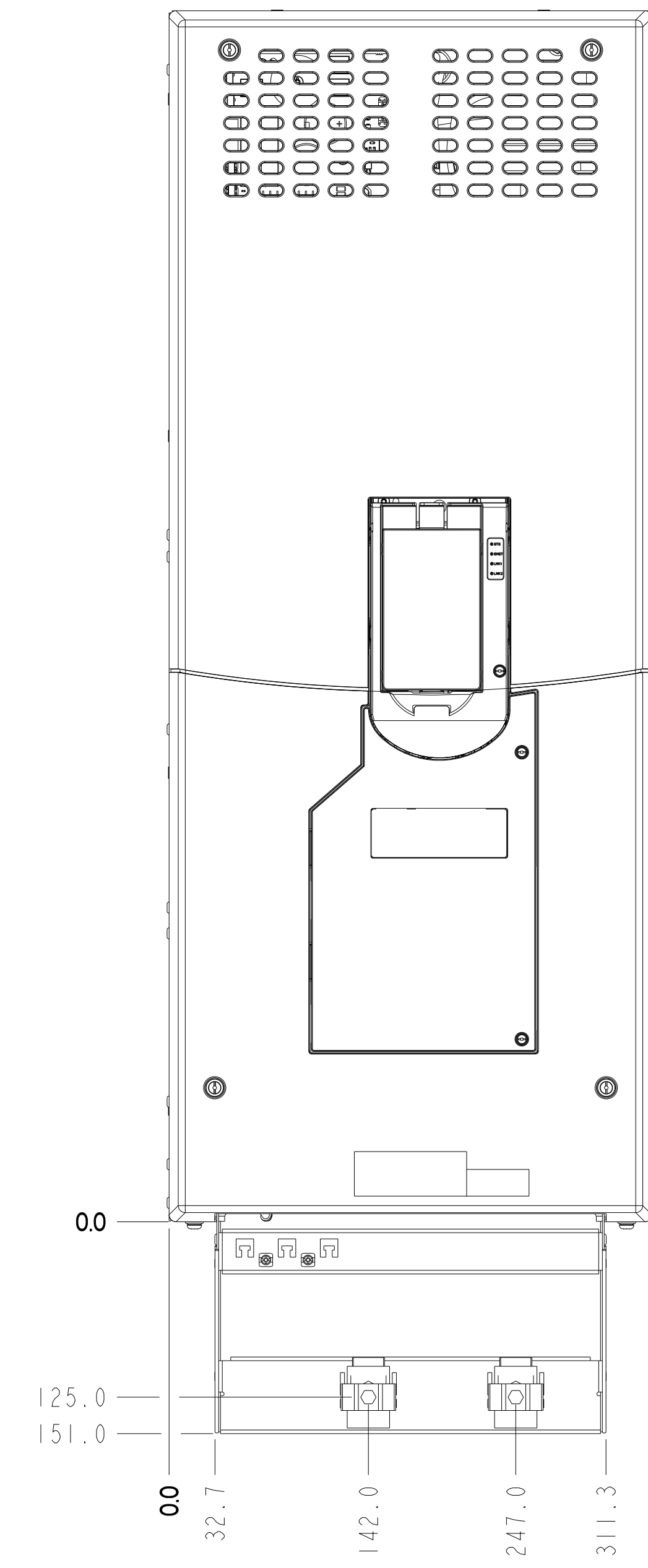


DETAIL A
TERMINAL VIEW

ALL UNDIMENSIONED GEOMETRIES ARE CONTROLLED BY THE CAD MODEL. IN CASE OF DIMENSION DISCREPANCY, CAD MODEL OVERRIDES.				CONFIDENTIAL AND PROPRIETARY INFORMATION. THIS DOCUMENT CONTAINS CONFIDENTIAL AND PROPRIETARY INFORMATION OF ROCKWELL AUTOMATION, INC. AND MAY NOT BE USED, COPIED OR DISCLOSED TO OTHERS, EXCEPT WITH THE AUTHORIZED WRITTEN PERMISSION OF ROCKWELL AUTOMATION, INC.	
THIRD ANGLE PROJECTION				DATE: 2018-10-25	SHEET 2 OF 4
		Rockwell Automation		SIZE D1R	VER
DESCRIPTION		PF755T, AFEF5, INSTALLATION SPECIFICATION		D	10003933511
CREATED BY: KBLOK		CHANGED BY: KBLOK		01	

IPO0 / UL OPEN TYPE

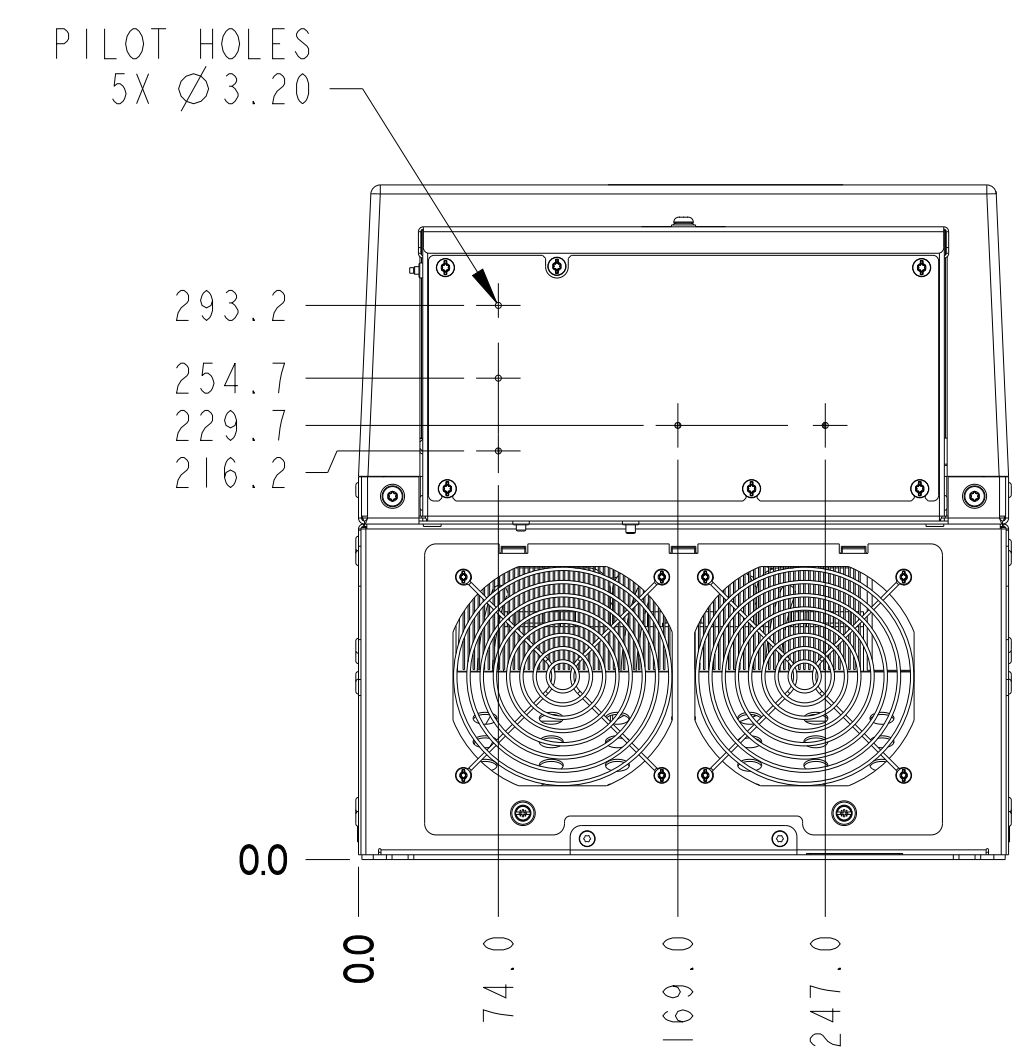
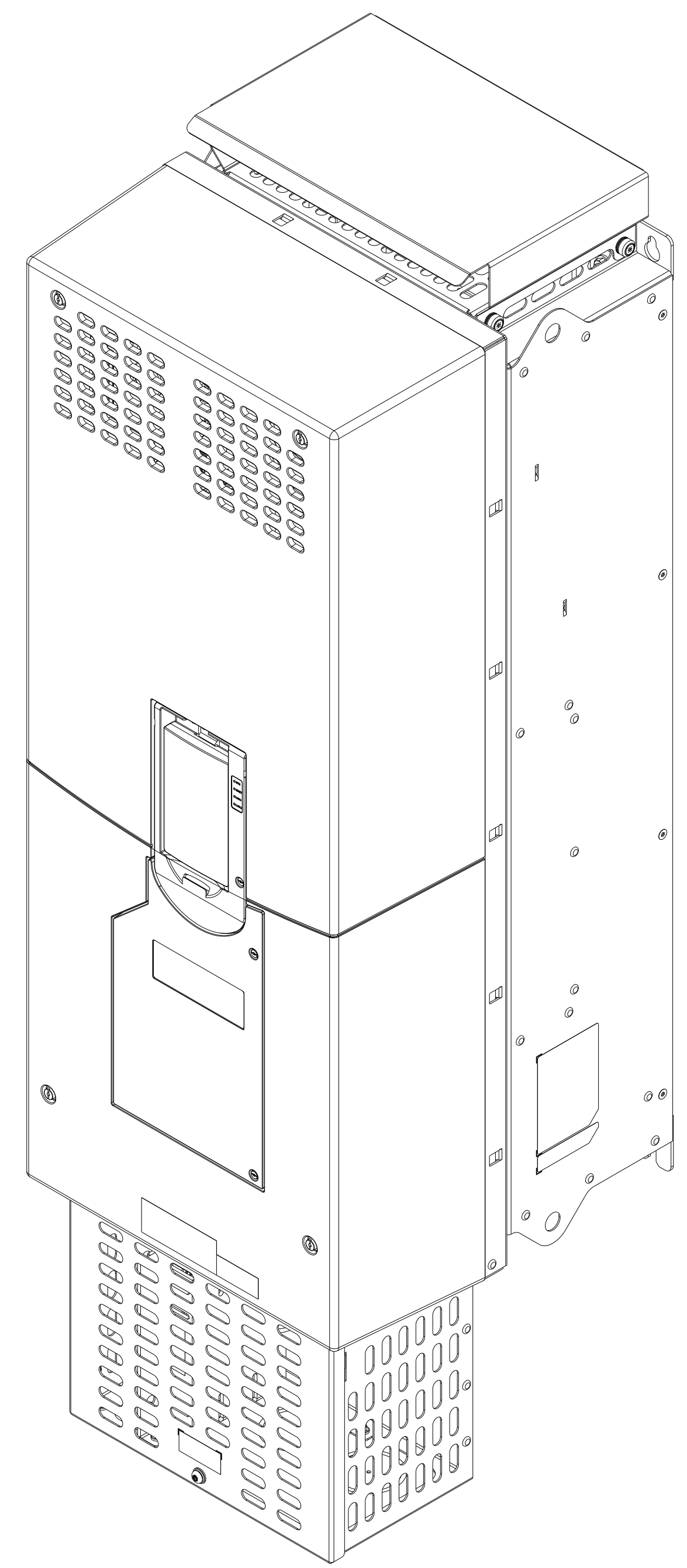
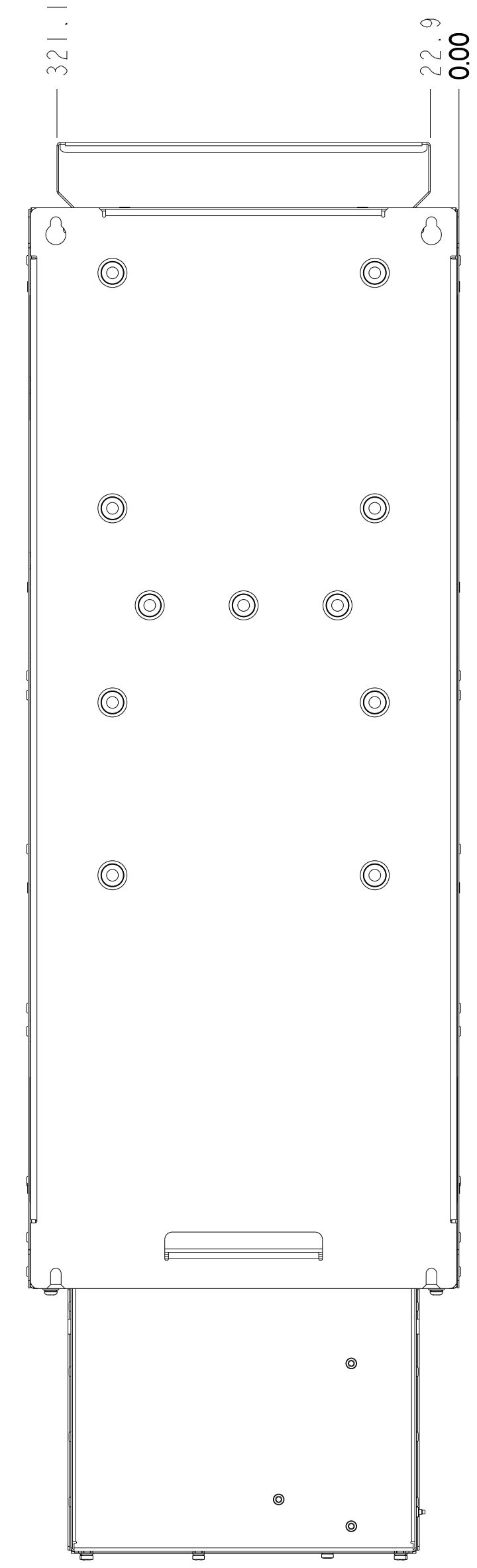
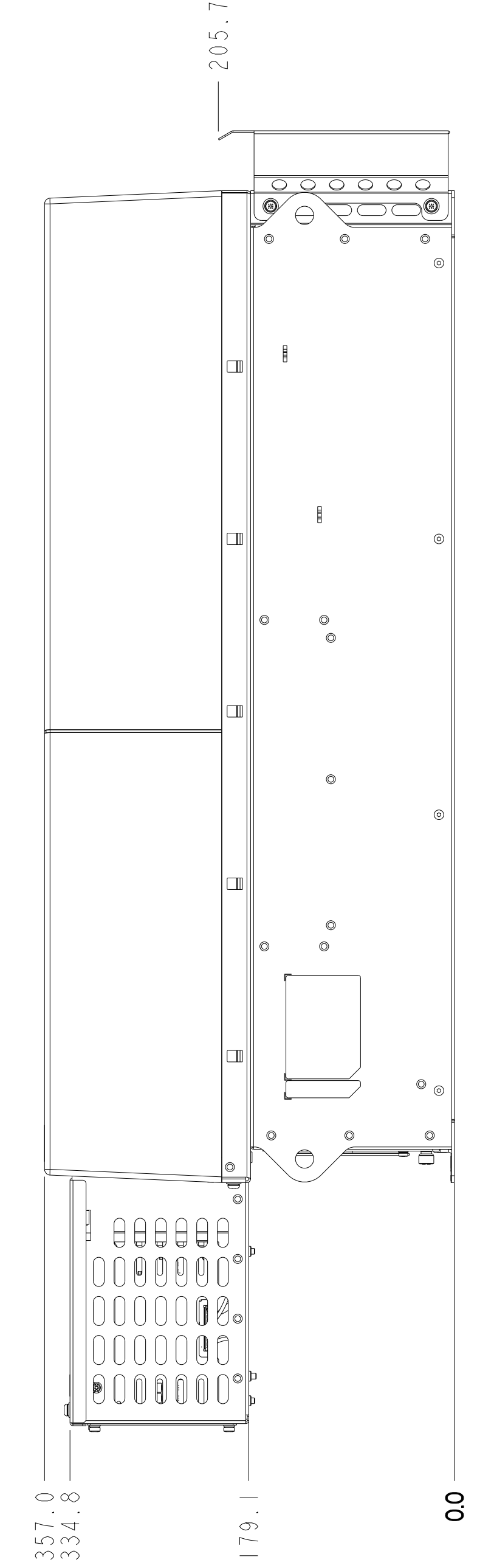
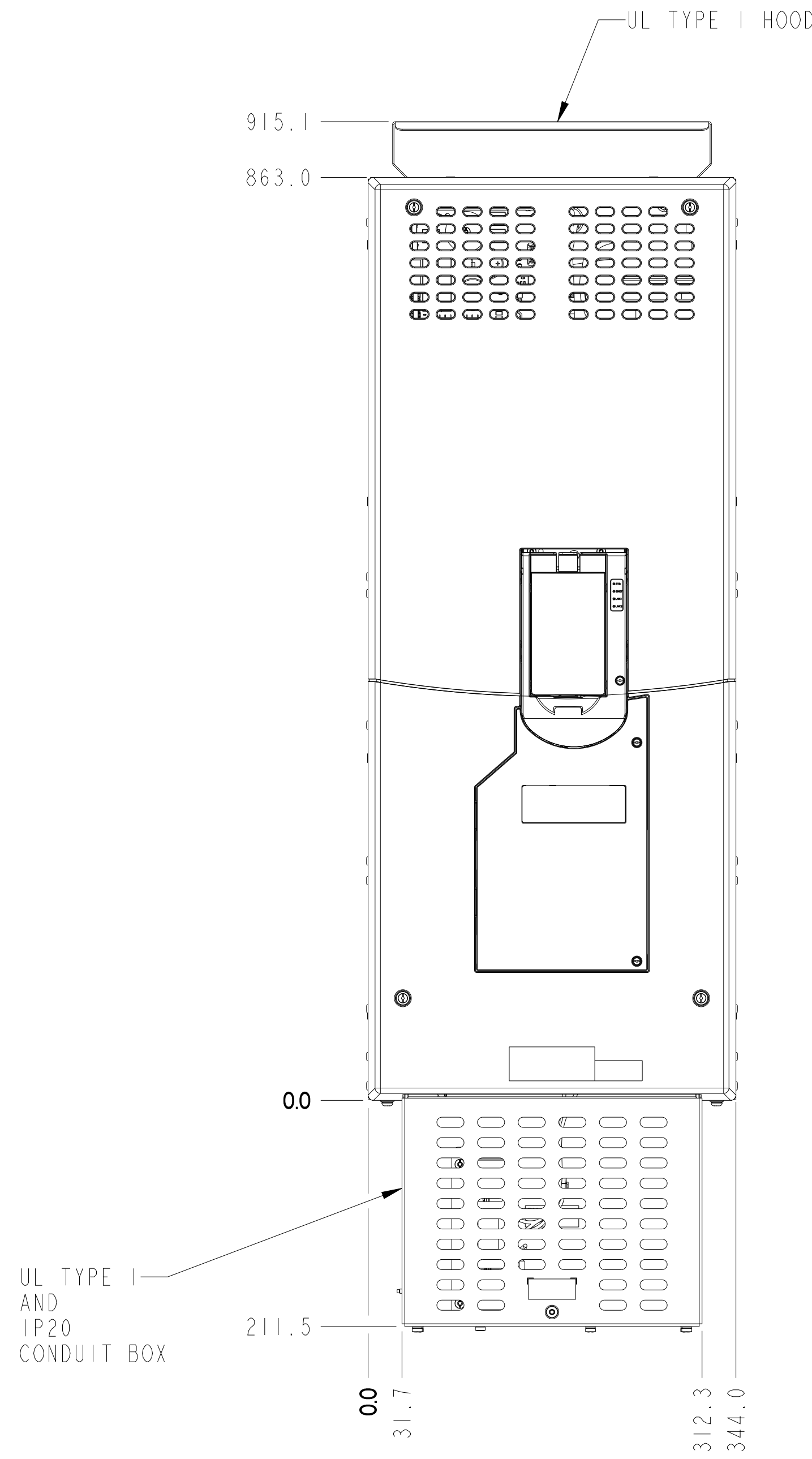
(WITH GROUND PLATE FOR EMC C3 COMPLIANCE)



TORQUE FOR GROUNDING PLATE:
M6 SCREWS: 10.2 Nm (90 in-lbs)
M5 SCREWS: 3.6 Nm (32 in-lbs)

ALL UNDIMENSIONED GEOMETRIES ARE CONTROLLED BY THE CAD MODEL. IN CASE OF DIMENSION DISCREPANCY, CAD MODEL OVERRIDES.				CONFIDENTIAL AND PROPRIETARY INFORMATION. THIS DOCUMENT CONTAINS CONFIDENTIAL AND PROPRIETARY INFORMATION OF ROCKWELL AUTOMATION, INC. AND MAY NOT BE USED, COPIED OR DISCLOSED TO OTHERS, EXCEPT WITH THE AUTHORIZED WRITTEN PERMISSION OF ROCKWELL AUTOMATION, INC.	
THIRD ANGLE PROJECTION				DATE: 2018-10-25	SHEET 3 OF 4
		PF755T,AFEF5,INSTALLATION SPECIFICATION		SIZE: D	VER: 01
		CREATED BY: KBLOK	CHANGED BY: KBLOK	10003933511	

IP20 / UL Type 1



TORQUE FOR CONDUIT BOX:

M6 SCREWS: 10.2 Nm (90 in-lbs)

M5 SCREWS: 3.6 Nm (32 in-lbs)

ALL UNDIMENSIONED GEOMETRIES ARE CONTROLLED BY THE CAD MODEL. IN CASE OF DIMENSION DISCREPANCY, CAD MODEL OVERRIDES.				CONFIDENTIAL AND PROPRIETARY INFORMATION. THIS DOCUMENT CONTAINS CONFIDENTIAL AND PROPRIETARY INFORMATION OF ROCKWELL AUTOMATION, INC. AND MAY NOT BE USED, COPIED OR DISCLOSED TO OTHERS, EXCEPT WITH THE AUTHORIZED WRITTEN PERMISSION OF ROCKWELL AUTOMATION, INC.	
THIRD ANGLE PROJECTION				DATE: 2018-10-25	SHEET 4 OF 4
		DESCRIPTION: PF755T, AFEF5, INSTALLATION SPECIFICATION		SIZE: D	VER: 01
		CREATED BY: KBLOK		CHANGED BY: KBLOK	