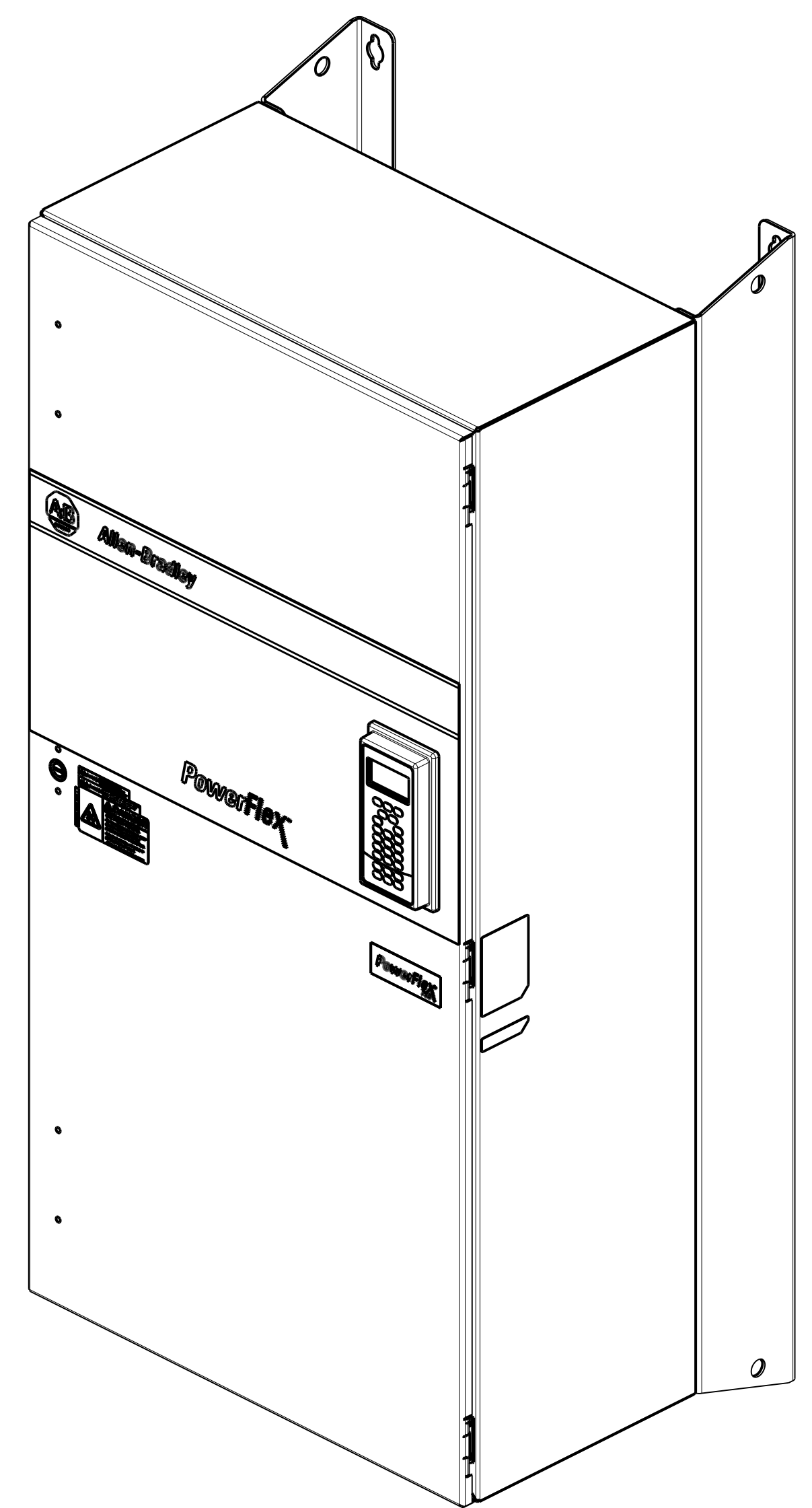
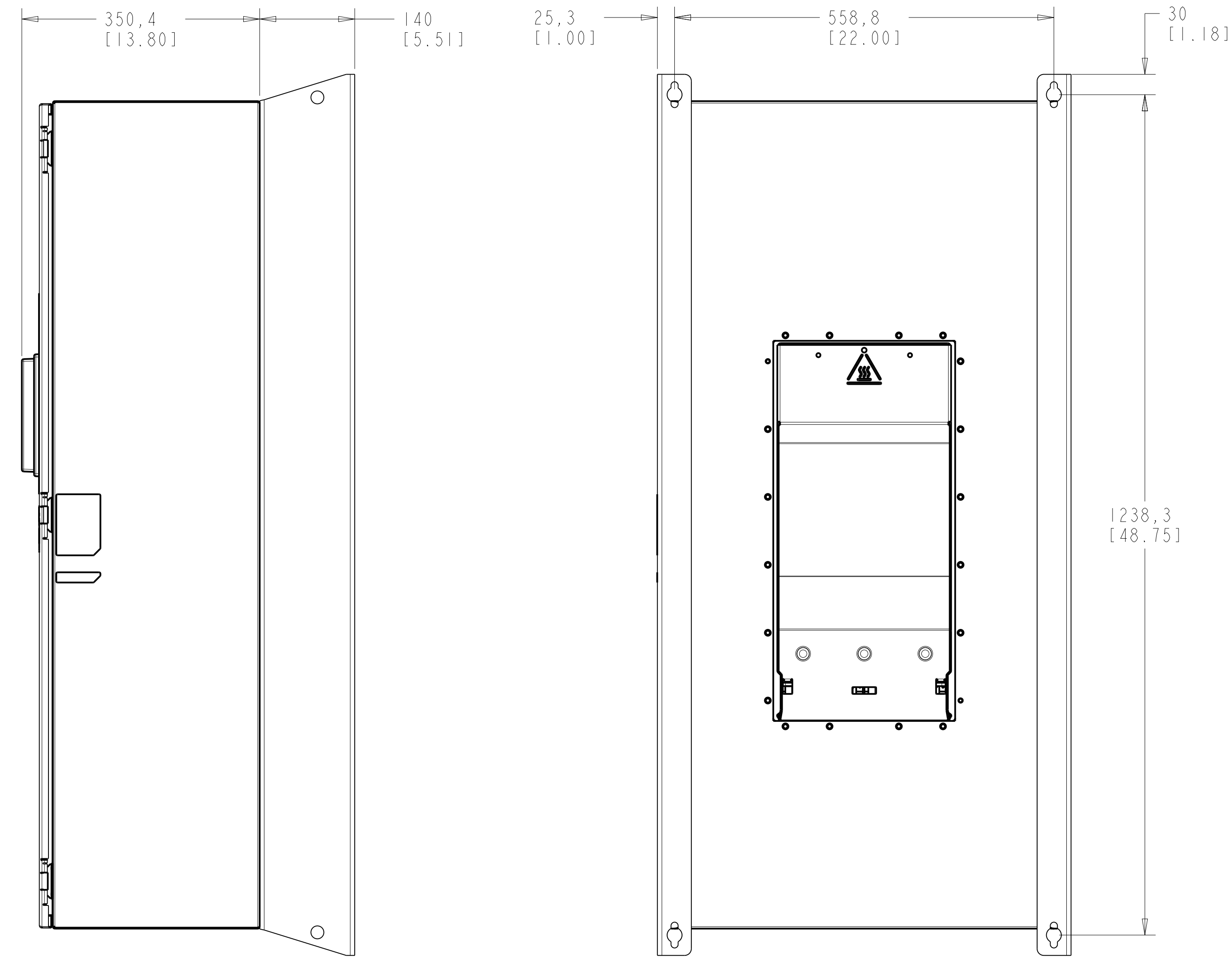
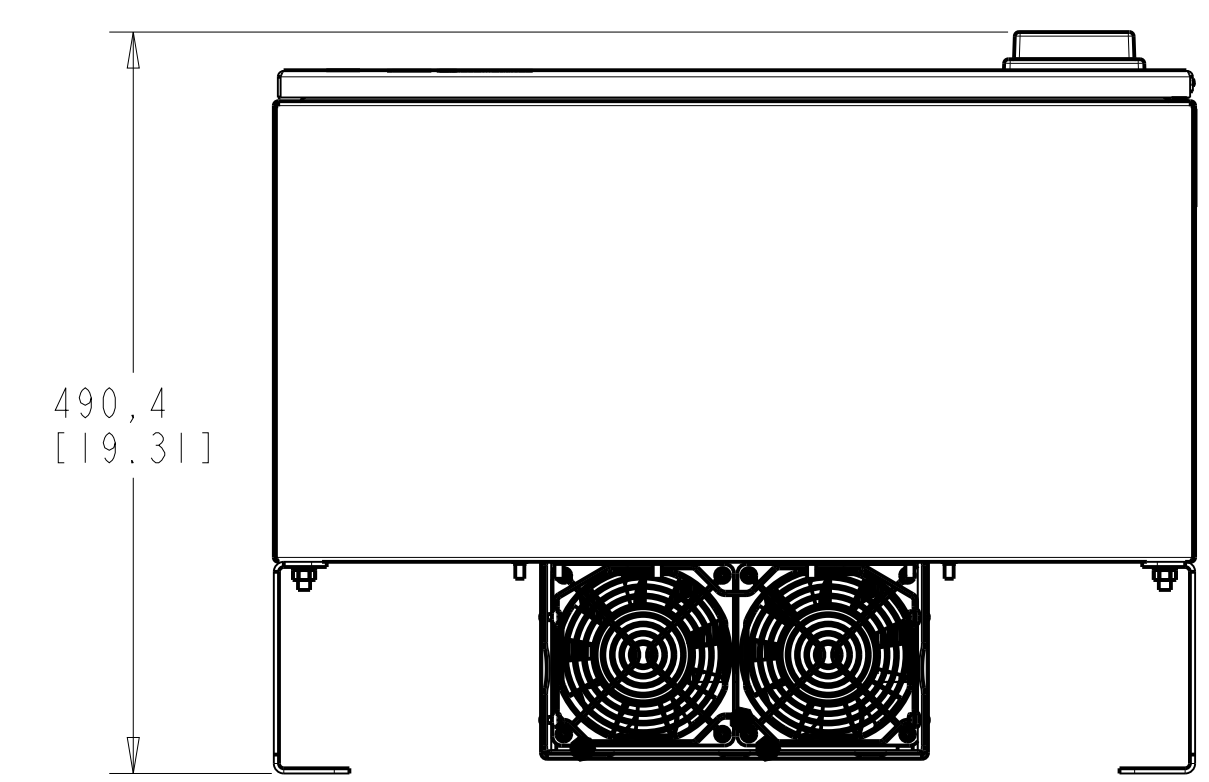


SCALE 0.200



SCALE 0.200

NEMA TYPE12



NEMA TYPE12

		<small>CONFIDENTIAL AND PROPRIETARY INFORMATION THIS DOCUMENT CONTAINS CONFIDENTIAL AND PROPRIETARY INFORMATION OF ROCKWELL AUTOMATION, INC. AND MAY NOT BE USED, COPIED OR DISCLOSED TO OTHERS, EXCEPT WITH THE AUTHORIZED WRITTEN PERMISSION OF ROCKWELL AUTOMATION, INC.</small>	
		DATE: 2019-11-28	SHEET 1 OF 1
DESCRIPTION	STANDARD PF750-FRAME-6-IP54	SIZE	D1R
CREATED BY: RASAVATS	CHANGED BY: TPS1	D	10000044766
			07