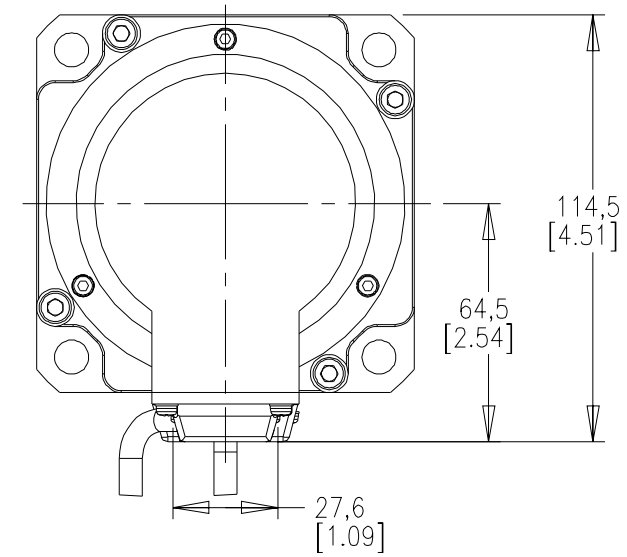
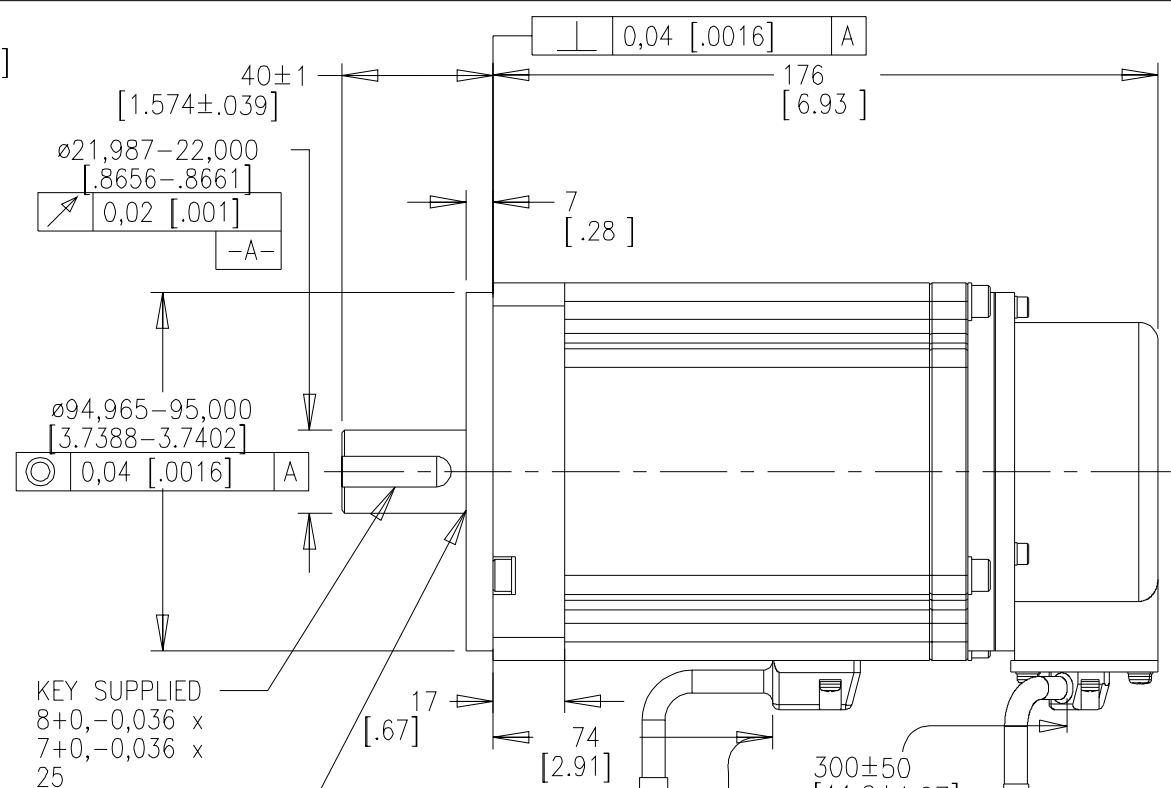
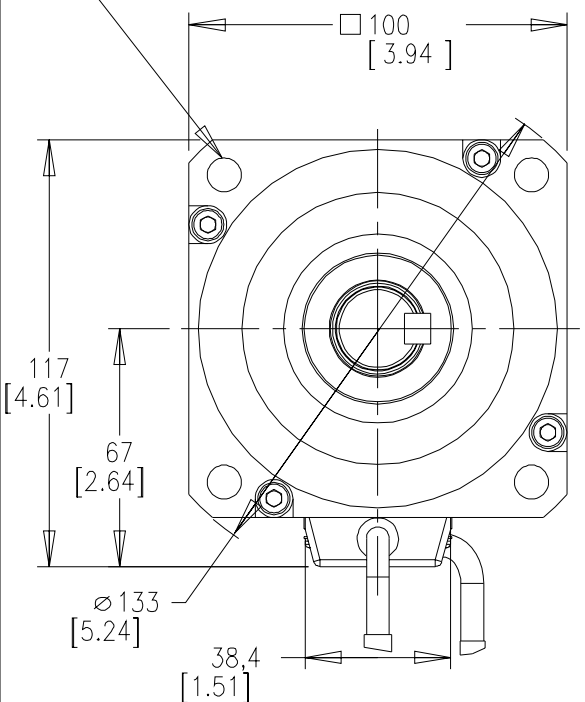
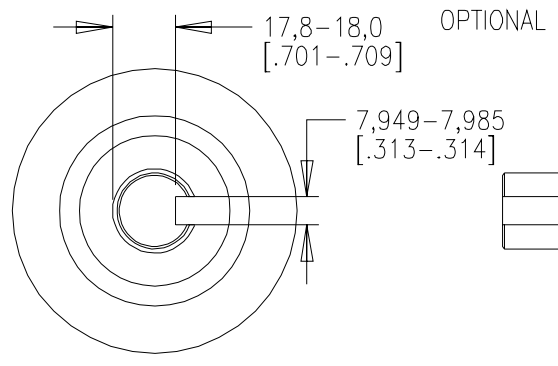
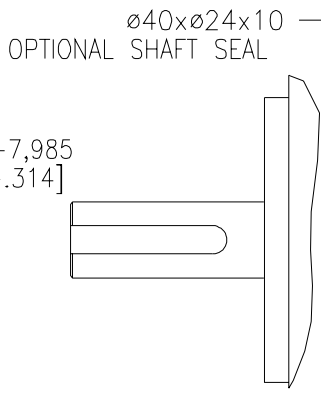


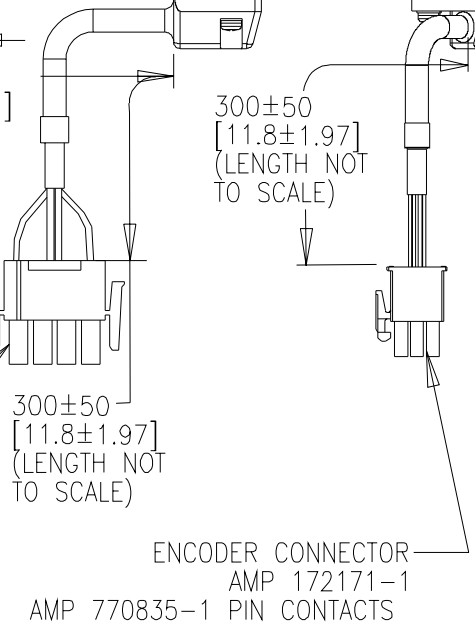
ø9 THRU (4) EQ SP 90° APART ON A ø115
[.354] [4.53]



KEY SUPPLIED
8+0,-0,036 x
7+0,-0,036 x
25



SHAFT DETAIL (NO SCALE)



PIN-OUT		
ENCODER CONNECTOR		
PIN	FUNCTION	COLOR
1-6	-	-
7	EPWR	RED
8	ECOM + BAT-	BROWN/BLACK + BLACK
9	SHIELD	BLACK SHRINK
10-11	-	-
12	SD+	BLUE
13	SD-	BLUE/BLACK
14	BAT+	BROWN
15	-	-

PIN-OUT		
POWER CONNECTOR		
PIN	FUNCTION	COLOR
1	U	RED
2	V	WHITE
3	W	BLACK
4	GROUND	YELLOW/GREEN

SPECIFICATIONS:

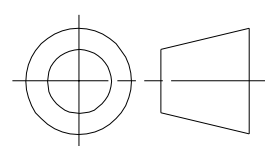
- MOTOR TYPE: 8 POLE, 3 PHASE, WYE WINDING, PERMANENT MAGNET ROTOR, TOTALLY ENCLOSED, NON VENTILATED.
- CONTINUOUS STALL TORQUE: 5.42 Nm (48 LB-IN) MAX AT 155°C WINDING TEMPERATURE, IN A 40°C AMBIENT, WHEN MOUNTED ON A 12 INCH SQUARE X 1/2 INCH THICK ALUMINUM HEAT SINK.
- OPERATING SPEED: 4500 RPM MAX.
- Ke: 47±10% V/KRPM 0-PEAK (PHASE TO PHASE) AT 20-30°C.
- SERIAL ENCODER, WITH 16 BIT MULTI-TURN AND 17 BIT SINGLE TURN ABSOLUTE POSITION DATA.
- FOR ADDITIONAL SPECIFICATIONS SEE TLA410MBJ32AAESE.

POWER CONNECTOR
AMP 350779-1 HOUSING
AMP 350218-3 PIN CONTACTS (U,V,W)
AMP 350654-1 PIN CONTACT (GROUND)

ProE Version 0	Modified 1
-------------------	---------------

DXF FILE AVAILABLE

01	1007016	SJ	RELEASED	-	-
REV	ECN	BY	REVISION DESCRIPTION	DATE	CHKR
UNLESS OTHERWISE SPECIFIED			DRAWN BY	DATE	DESIGN ENGR
DO NOT SCALE DRAWING			SJ	4-14-04	-
DIMENSIONS ARE IN MILLIMETERS			TLA410MBJ32AA,ESM		
WITH INCHES REFERENCED [X.X]					
UNTOLERANCED DIMENSIONS ARE REFERENCE					
THIRD ANGLE PROJECTION					



PART NO. TLA410MBJ32AAESM		
SCALE : 1 0.500	DWG SIZE B	SHEET 1 OF 1