

Technical Application Notice:

19 Sept 2017

Safety Switches

Cable Pull Corner Pulley

440E-A13206 Series A

Summary

This technical note provides a change to the overall part size and mounting holes due to change in suppliers.

Product Family

Allen-Bradley Guardmaster Safety Cable Pull Switches.

Product Identification

Catalogue number 440E-A13206

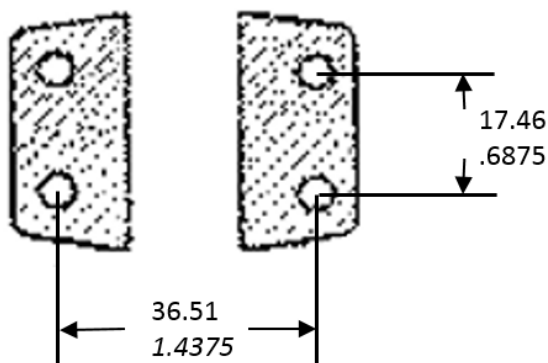
Symptom

Overall part size and mounting holes have changed dimensions, see below

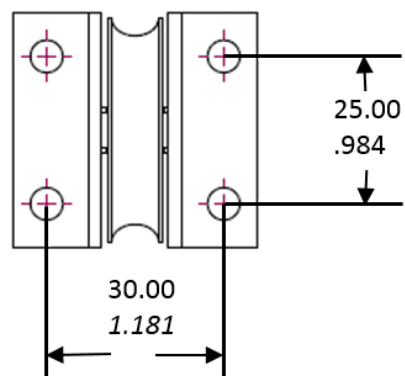
Specification

Mounting dimensions [mm (in.)]

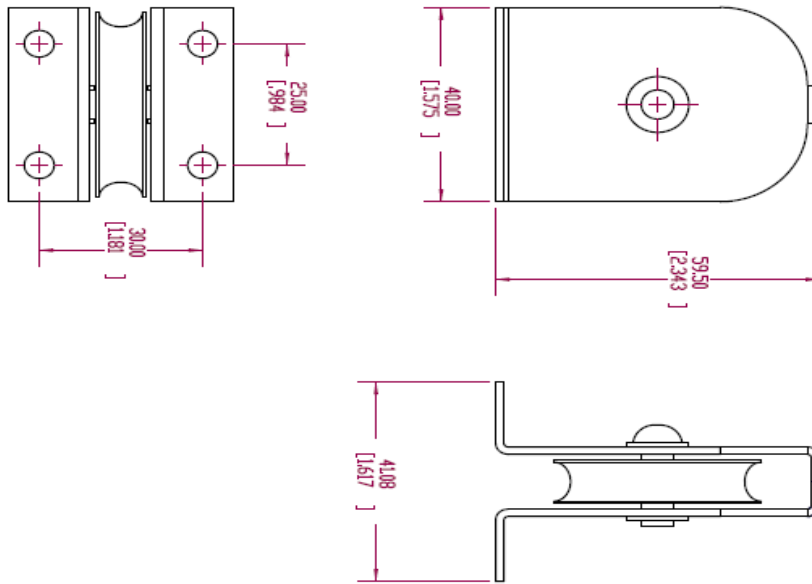
New Part



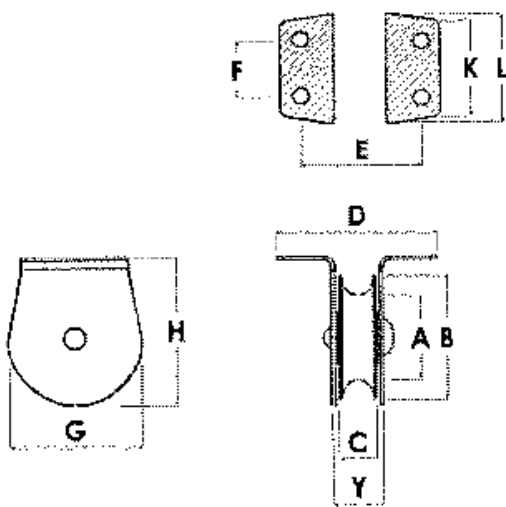
Previous Part



Previous version:



Currently shipping version:



Details

Max Cable	3/16"
A	1"
B	1-1/2"
C	7/16"
D	2"
E	1-7/16"
F	11/16"
G	1-5/8"
H	1-7/8"
K	1-1/8"
L	1-3/8"
Working Load	525 LBS
Weight Each	0.30 LBS

Steven Tambeau

Global Product Manager – Safety Cable pull switches