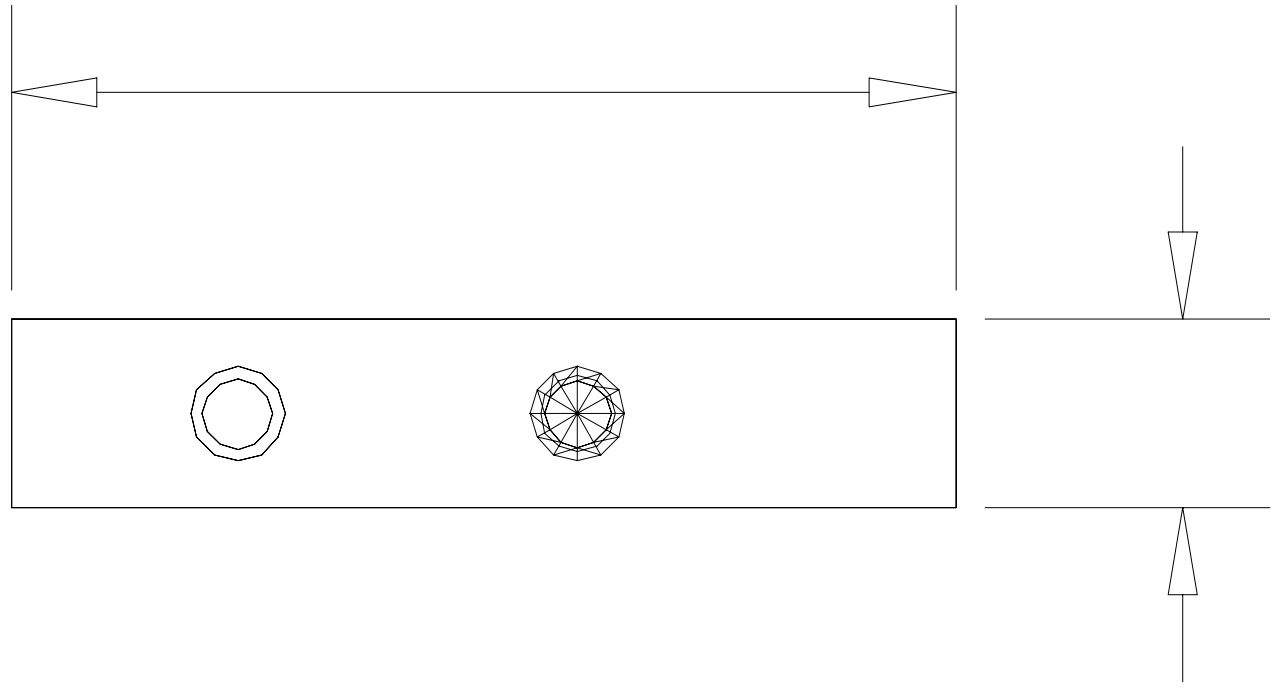
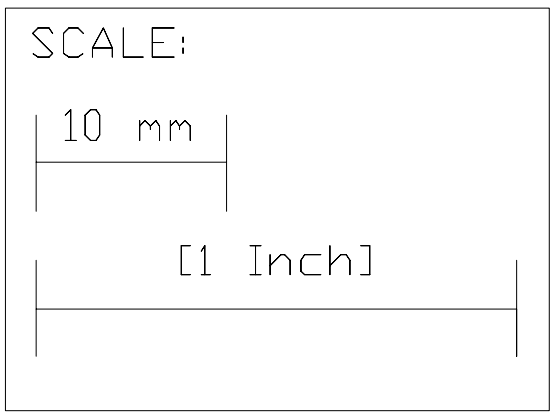


50.00 [1 31/32]



10.00 [25/64]