

Bulletin 284

Figure 102 - Bulletin 284 Control Module Renewal Part Catalog Structure

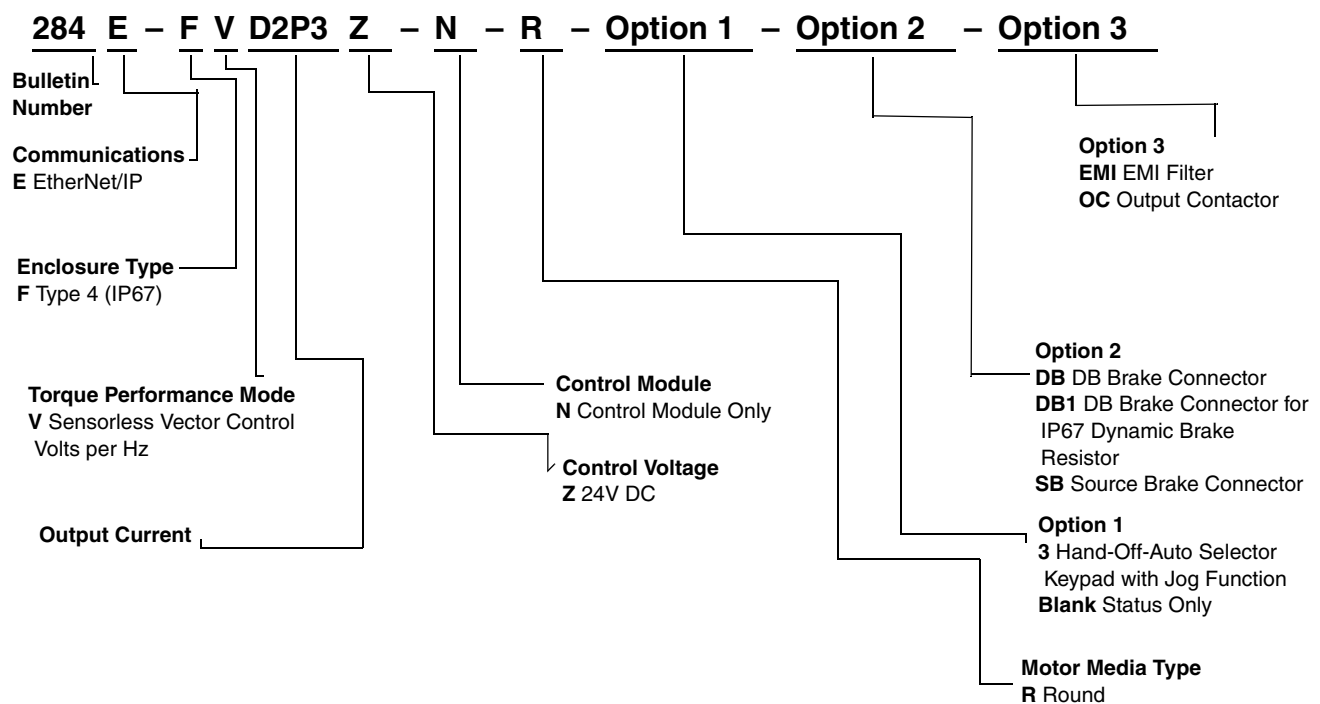
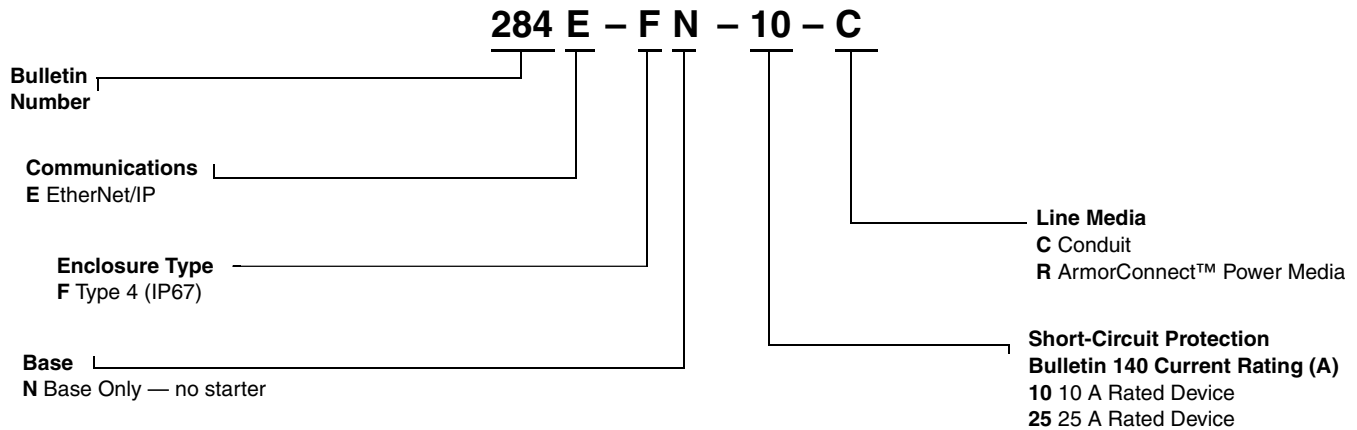


Table 42 - Bulletin 284 Control Module with Sensorless Vector Control, IP67/NEMA 4

Input Voltage	kW	Hp	24 V DC Control Voltage
380...480V 50/60 Hz 3-Phase	0.4	0.5	284E-FVD1P4Z-N-R
	0.75	1.0	284E-FVD2P3Z-N-R
	1.5	2.0	284E-FVD4P0Z-N-R
	2.2	3.0	284E-FVD6P0Z-N-R
	3.0	5.0	284E-FVD7P6Z-N-R

Figure 103 - Bulletin 284 Base Module Renewal Part Catalog Structure



Base Module Renewal Part Product Selection

Table 43 - Bulletin 284 Base Module Renewal Part, IP67/NEMA 4, With Conduit Entrance

Input Voltage	kW	Hp	24 V DC Control Voltage
380...480V 50/60 Hz 3-Phase	0.4...2.2	0.5...3.0	280E-FN-10-C
	3.0	5.0	280E-FN-25-C
380...480V 50/60 Hz 3-Phase	0.4...2.2	0.5...3.0	280E-FN-10-R
	3.0	5.0	280E-FN-25-R

Table 44 - Dynamic Brake Cable

Description	Cable Rating	Length m (ft)	Cat. No.
M22 Dynamic Brake Cable (DB Option)	IP67/NEMA Type 4	3 (9.8)	285-DBK22-M3

Table 45 - Motor Cables

Description		Cable Rating	Length m (ft)	Cat. No.
Motor Cable Cordsets	90° M22 Motor Cordset	IP67/NEMA Type 4	3 (9.8)	280-MTRM22-M3
			6 (19.6)	280-MTR22-M6
			10 (32.8)	280-MTR22-M10
			14 (45.9)	280-MTR22-M14
			20 (65.6)	280-MTR22-M20
	90° M35 Motor Cordset	IP67/NEMA Type 4	3 (9.8)	280-MTR35-M3
			6 (19.6)	280-MTR35-M6
			10 (32.8)	280-MTR35-M10
			14 (45.9)	280-MTR35-M14
			20 (65.6)	280-MTR35-M20
Motor Cable Cordsets, High Flex	90° M22 Motor Cordset	IP67/NEMA Type 4	3 (9.8)	280-MTRF22-M3
			6 (19.6)	280-MTRF22-M6
			8 (26.2)	280-MTRF22-M8
			10 (32.8)	280-MTRF22-M10
			14 (45.9)	280-MTRF22-M14
			20 (65.6)	280-MTRF22-M20
Motor Cable Cordsets, Shielded (VFD)	90° M22 Motor Cordset	IP67/NEMA Type 4	3 (9.8)	284-MTRS22-M3
			6 (19.6)	284-MTRS22-M6
			14 (45.9)	284-MTRS22-M14
Extended Source/ Control Brake Cable Cordsets	90° M25 Source Brake Cable	IP67/NEMA Type 4	6 (19.6)	285-BRC25-M6
			14 (45.9)	285-BRC25-M14
Extended Source/ Control Brake Cable Cordsets, High Flex	90° M25 Source Brake Cable	IP67/NEMA Type 4	3 (9.8)	285-BRCF25-M3
			6 (19.6)	285-BRCF25-M6
			10 (32.8)	285-BRCF25-M10
			14 (45.9)	285-BRCF25-M14
			20 (65.6)	285-BRCF25-M20
Motor Cable Patchcords	90° Male/ Straight Female M22	IP67/NEMA Type 4	1 (3.3)	280-MTR22-M1D
			3 (9.8)	280-MTR22-M3D
	90° Male/ Straight Female M35	IP67/NEMA Type 4	1 (3.3)	280-MTR35-M1D
			3 (9.8)	280-MTR35-M3D
Motor Cable Patchcords Shielded (VFD)	90° Male/ Straight Female M22	IP67/NEMA Type 4	1 (3.3)	284-MTRS22-M1D
			3 (9.8)	284-MTRS22-M3D