

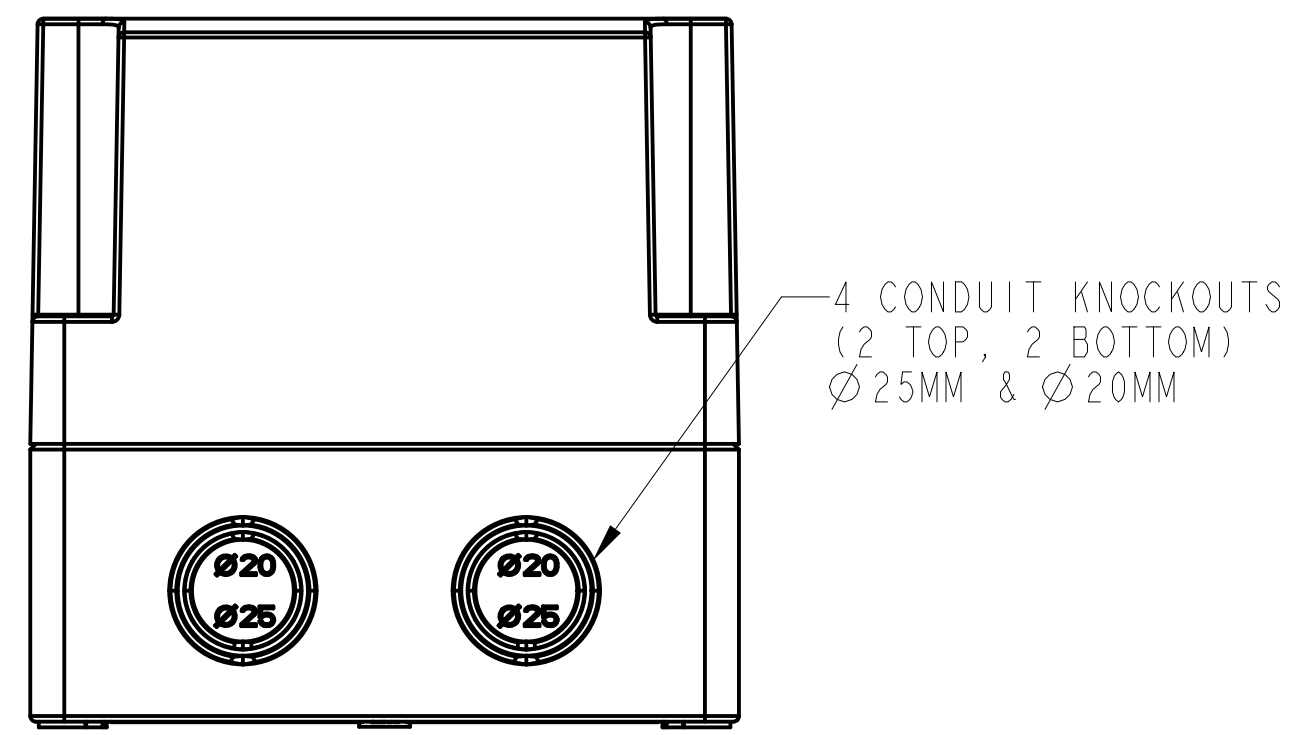
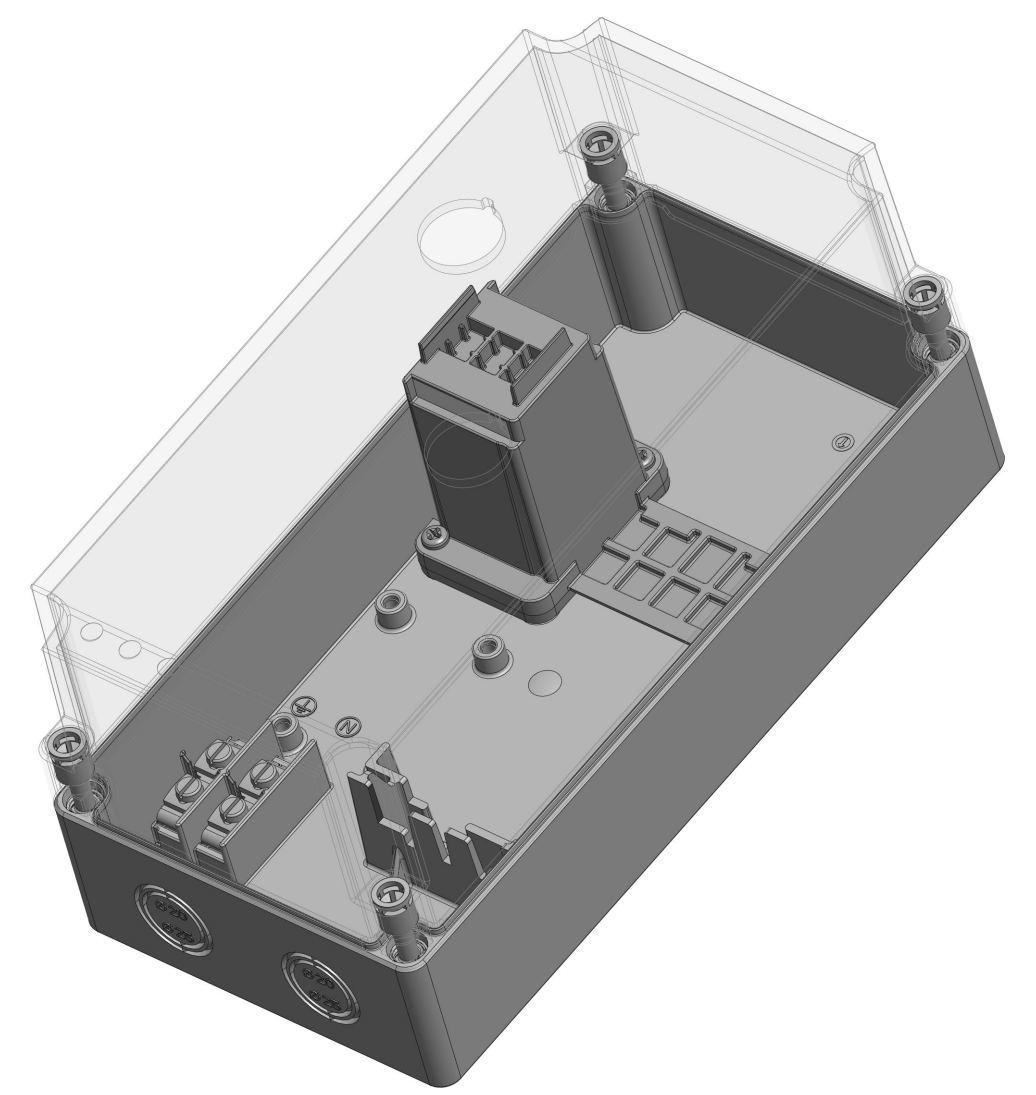
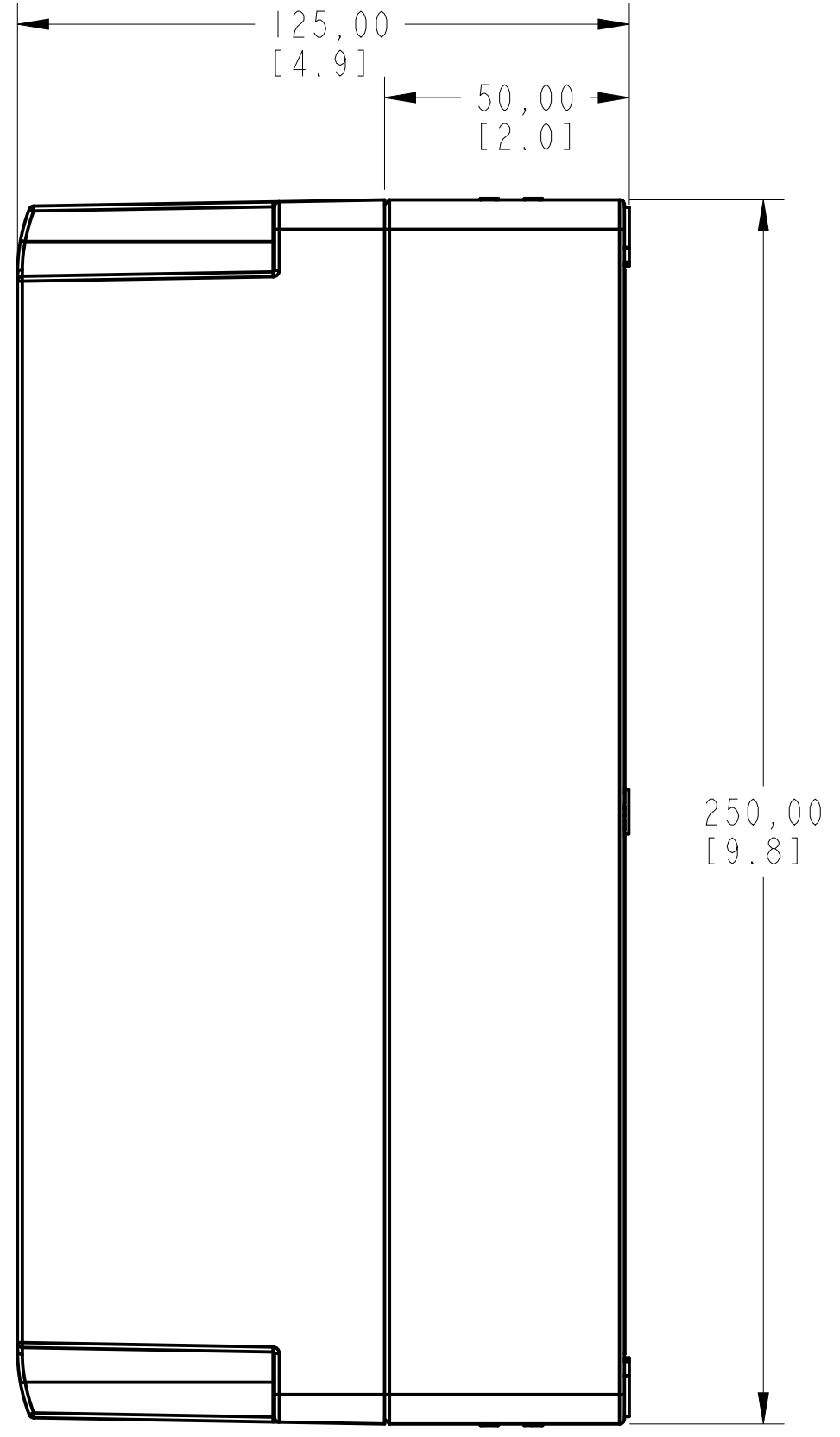
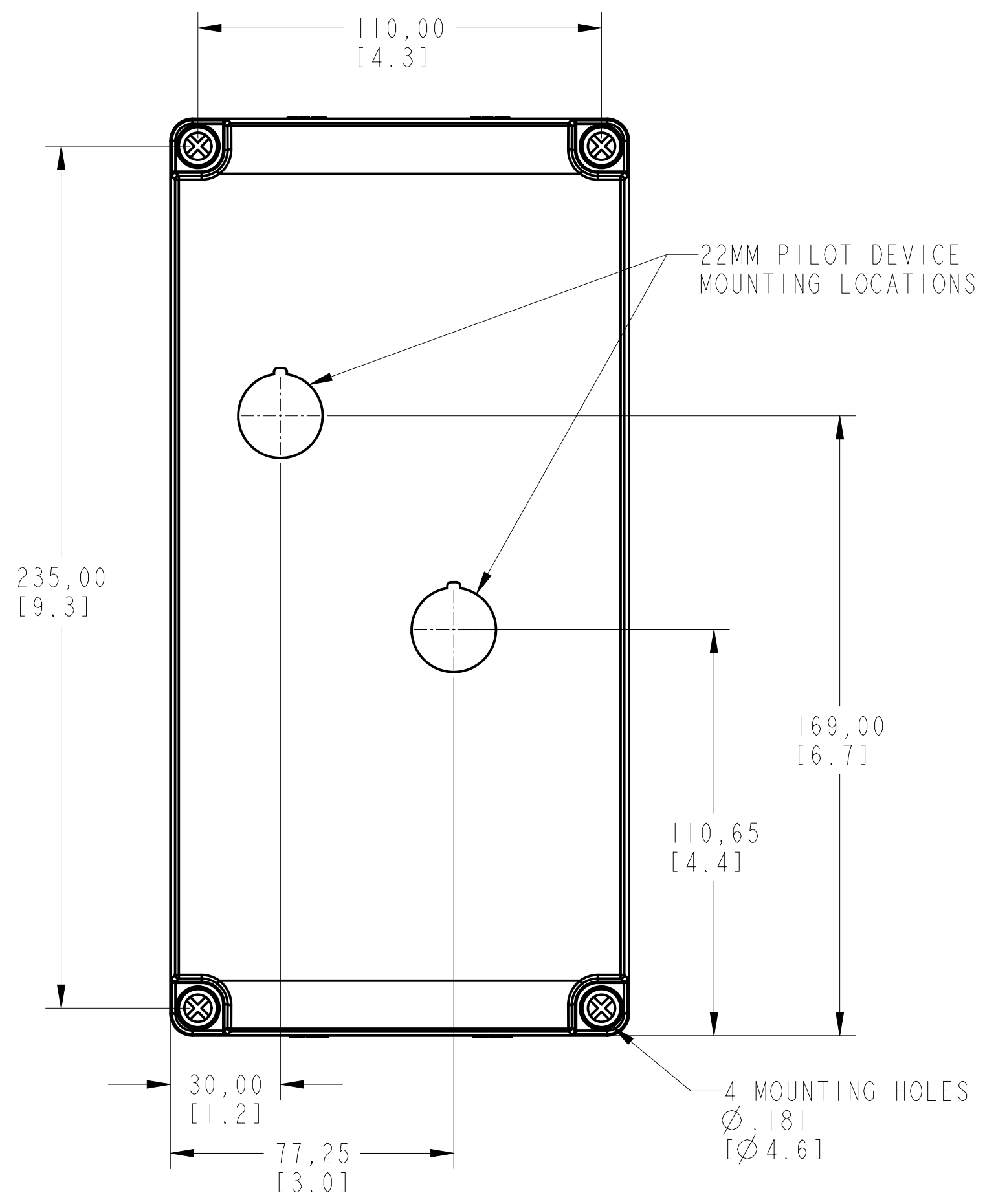
1 2 3 4 5 6 7 8

**CRITICAL TO QUALITY CLASSIFICATION TABLE**

P=PERFORMANCE, F=FIT, A=ASSEMBLY  
 X=IDENTIFIES APPLICABLE CLASSIFICATION(S)  
 ◇=ENGINEERING AND/OR MANUFACTURING REQUIREMENT  
 ⊗=REGULATORY REQUIREMENT-CONFORMANCE IS MANDATORY

COMMENTS	DRAWING ZONE	P	F	A	R
ROHS	GI-HI				X

A  
B  
C  
D  
E  
F  
G  
H



Ⓟ  
 MUST COMPLY WITH ROCKWELL  
 AUTOMATION ENVIRONMENTAL  
 SPECIFICATION 970-20-01

- NOTES:
- DRAWING FOR REFERENCE ONLY. NOT TO BE USED FOR MANUFACTURING
  - DIMENSIONS SHOWN IN MM [INCHES]

950-40-08	N/A	KS7	POLYCARBONATE	10006581115	PN-665513
950-40-08	N/A	198E	POLYCARBONATE		PN-648681
WORKMANSHIP STANDARDS	FINISH	BUL	MATERIAL	MODEL/DIR NO.	PART/MMR NUMBER
ALL UNDIMENSIONED GEOMETRIES ARE CONTROLLED BY THE CAD MODEL. IN CASE OF DIMENSION DISCREPANCY, CAD MODEL OVERRIDES.					CONFIDENTIAL AND PROPRIETARY INFORMATION. THIS DOCUMENT CONTAINS CONFIDENTIAL AND PROPRIETARY INFORMATION OF ROCKWELL AUTOMATION, INC. AND MAY NOT BE USED, COPIED OR DISCLOSED TO OTHERS, EXCEPT WITH THE AUTHORIZED WRITTEN PERMISSION OF ROCKWELL AUTOMATION, INC.
THIRD ANGLE PROJECTION					
			<b>C254 ENCLOSURE COMPLETE ASSEMBLY</b>		Sheet 1 Of 1
DRAWN BY: MLATOS			DATE: 01-25-2022		VER
C			10006583041		00