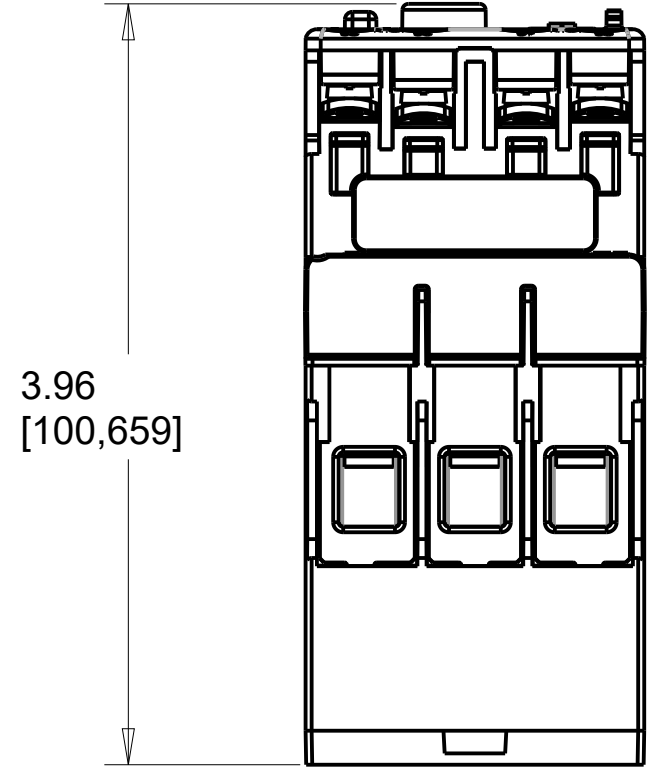


3.23
[81,958]



E100 IEC FRAME D SINGLE TURN CT 193-1EF*D
AND
CEP7 IEC FRAME D SINGLE TURN CT CEP7-1EF*D

SCALE: 1:1