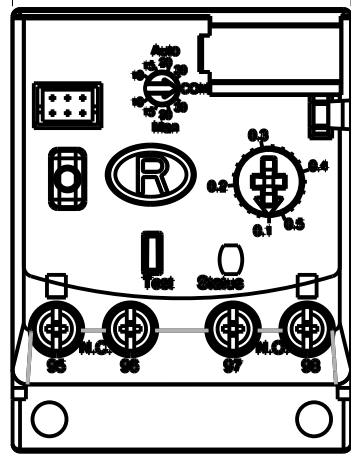
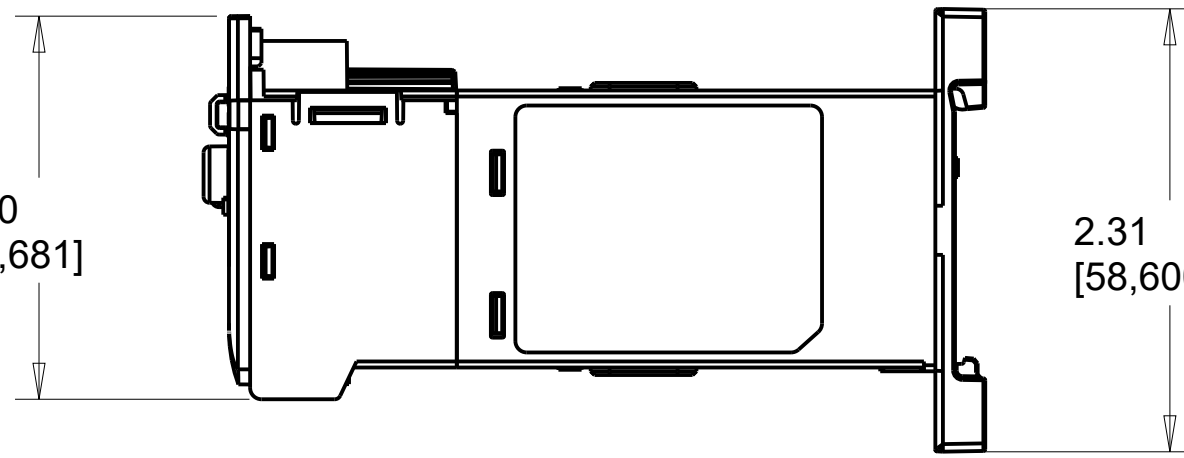


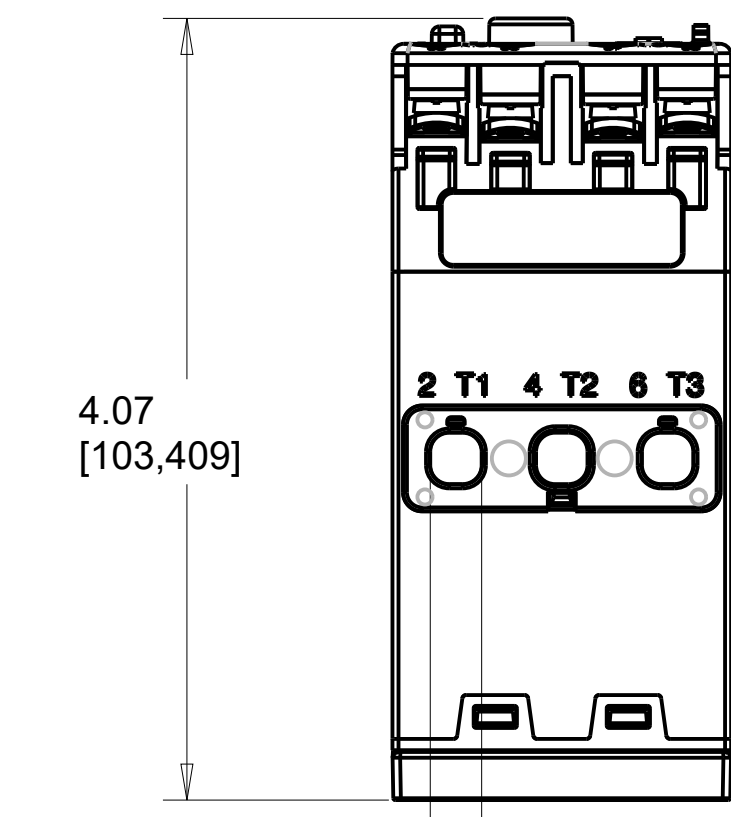
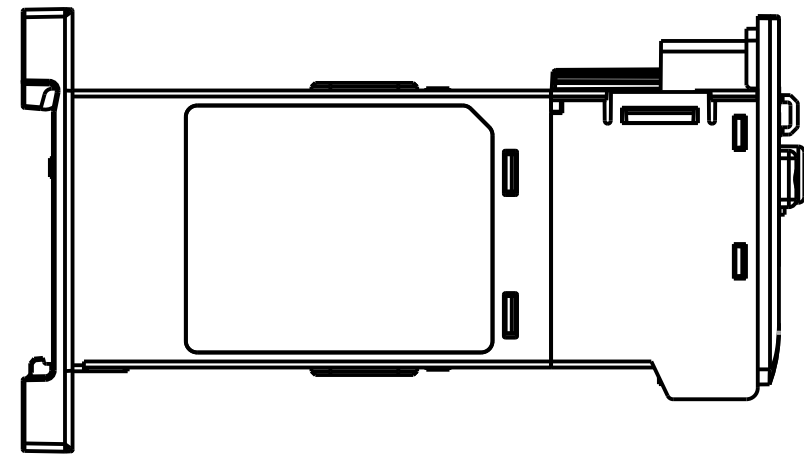
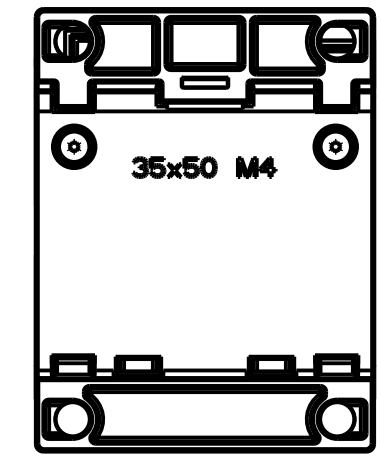
1.76
[44,800]



2.00
[50,681]



2.31
[58,600]



0.27
[6,800]

SQ.

E100 PASS THRU FRAME D SINGLE TURN CT 193-1EF*P
AND
CEP7 PASS THRU FRAME D SINGLE TURN CT CEP7-1EF*P

SCALE: 1:1