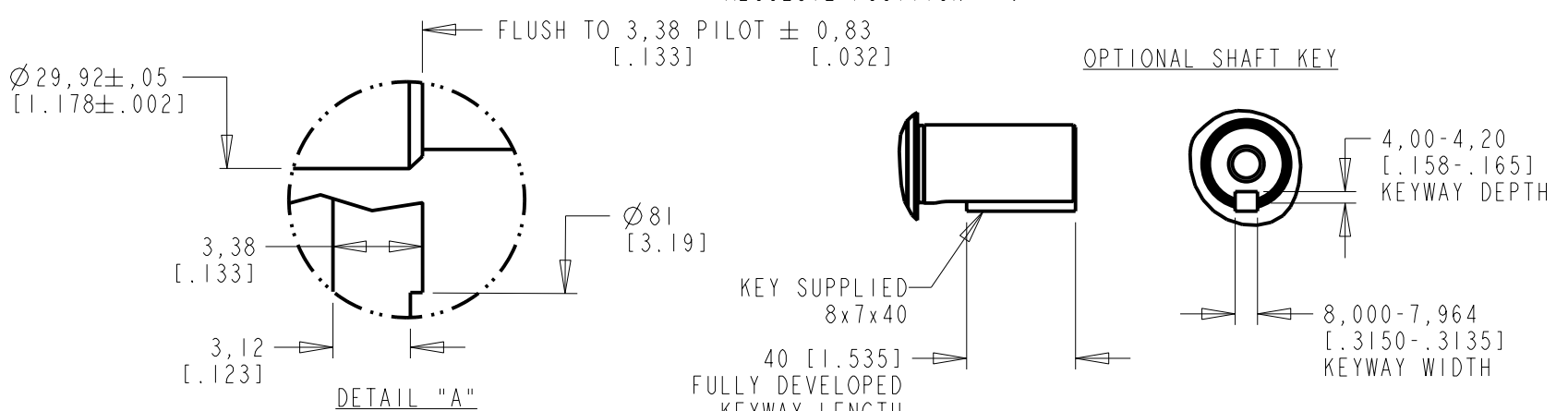


MODEL	LB	LD	LE
MPL-x520	175,8 [6.92]	149,4 [5.88]	109,2 [4.30]
MPL-x540	226,6 [8.92]	200,2 [7.88]	160 [6.30]
MPL-x560	277,4 [10.92]	251 [9.88]	210,8 [8.30]
MPM-B1651	226,6 [8.92]	200,2 [7.88]	160 [6.30]
MPM-B1652	277,4 [10.92]	251 [9.88]	210,8 [8.30]
MPM-B1653	328,2 [12.92]	301,8 [11.88]	261,6 [10.30]

PIN-OUT POWER CONNECTOR	
PIN	FUNCTION
A	U
B	V
C	W
⊕	GND
E-H	-
L	-

PIN-OUT ENCODER CONNECTOR	
PIN	FUNCTION
1	SIN +
2	SIN -
3	COS +
4	COS -
5	DATA +
6	DATA -
7-8	-
9-10	-
11	EPWR 9V
12	ECOM
13	TS +
14	TS -
15-17	-



REFERENCES		DESCRIPTION	CAD DOCUMENT	
VERSION	UNLESS OTHERWISE SPECIFIED	ESM, MPL-x5xxx-xx72AA; MPM-x165xx-xx72AA	<b>Allen-Bradley</b> 	
02	DO NOT SCALE DRAWING DIMENSIONS ARE IN MILLIMETERS WITH INCHES REFERENCED [X] UNTOLERANCED DIMENSIONS ARE REFERENCE 3RD ANGLE PROJECTION			
		DR. WKG	DATE 2/8/08	SHEET 1 OF 1
		DXF 2D OR STEP 3D FILE AVAILABLE		DWG. SIZE B
				DOCUMENT NUMBER 10000014307

- NOTE:
- .DXF FILE OF THIS DRAWING MUST BE SCALED TO LENGTH, SEE CHART ABOVE. MODEL SHOWN IS MPL-x560x-xx72AA.
  - 3D STEP (.stp) FILES AVAILABLE AT ALL LENGTHS.
  - THIS DRAWING COVERS SINGLE AND MULTI-TURN ABSOLUTE ENCODER MODELS (i.e., MPx-xxxxx-Mx72AA and MPx-xxxxx-Sx72AA).