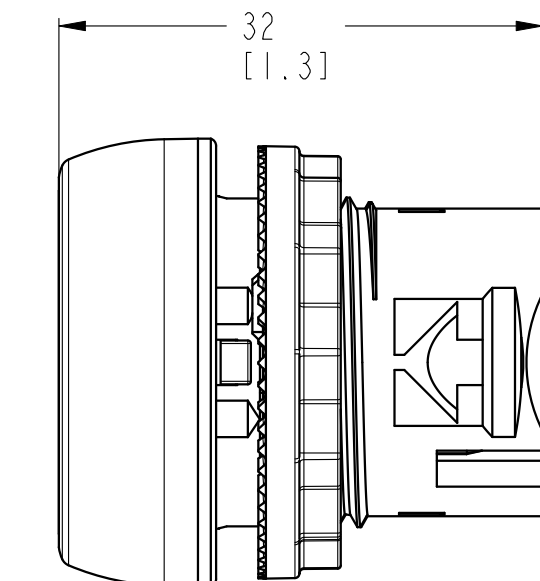
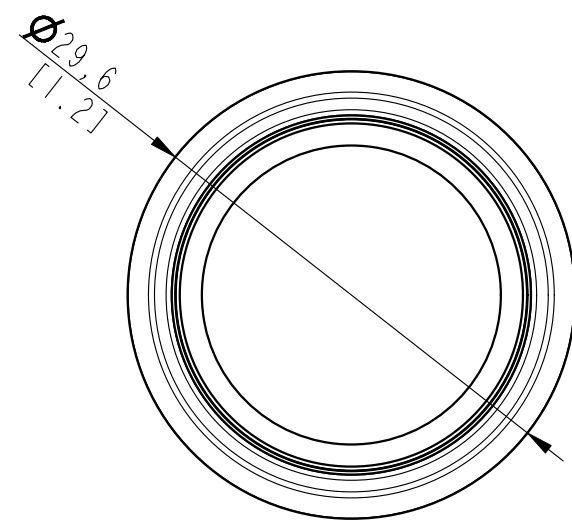


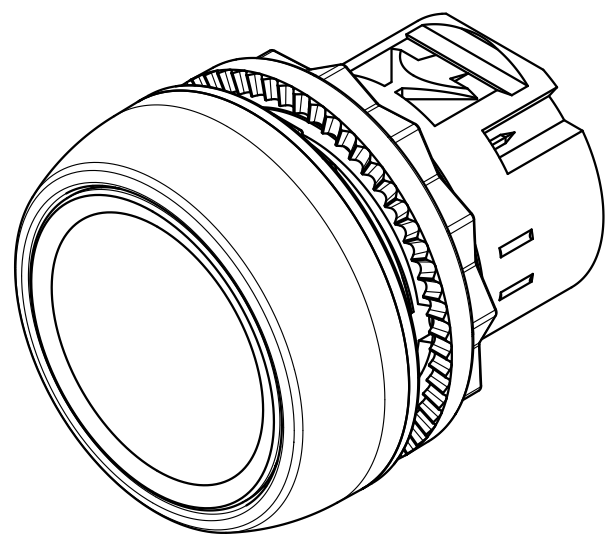
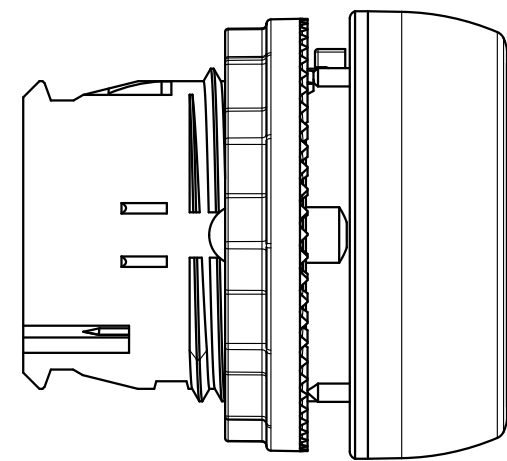
10,4  
[.4]



32  
[1.3]



$\varnothing 29,6$   
[1.2]



APPROXIMATE DIMENSIONS.  
DIMENSIONS IN MILLIMETERS [INCHES].