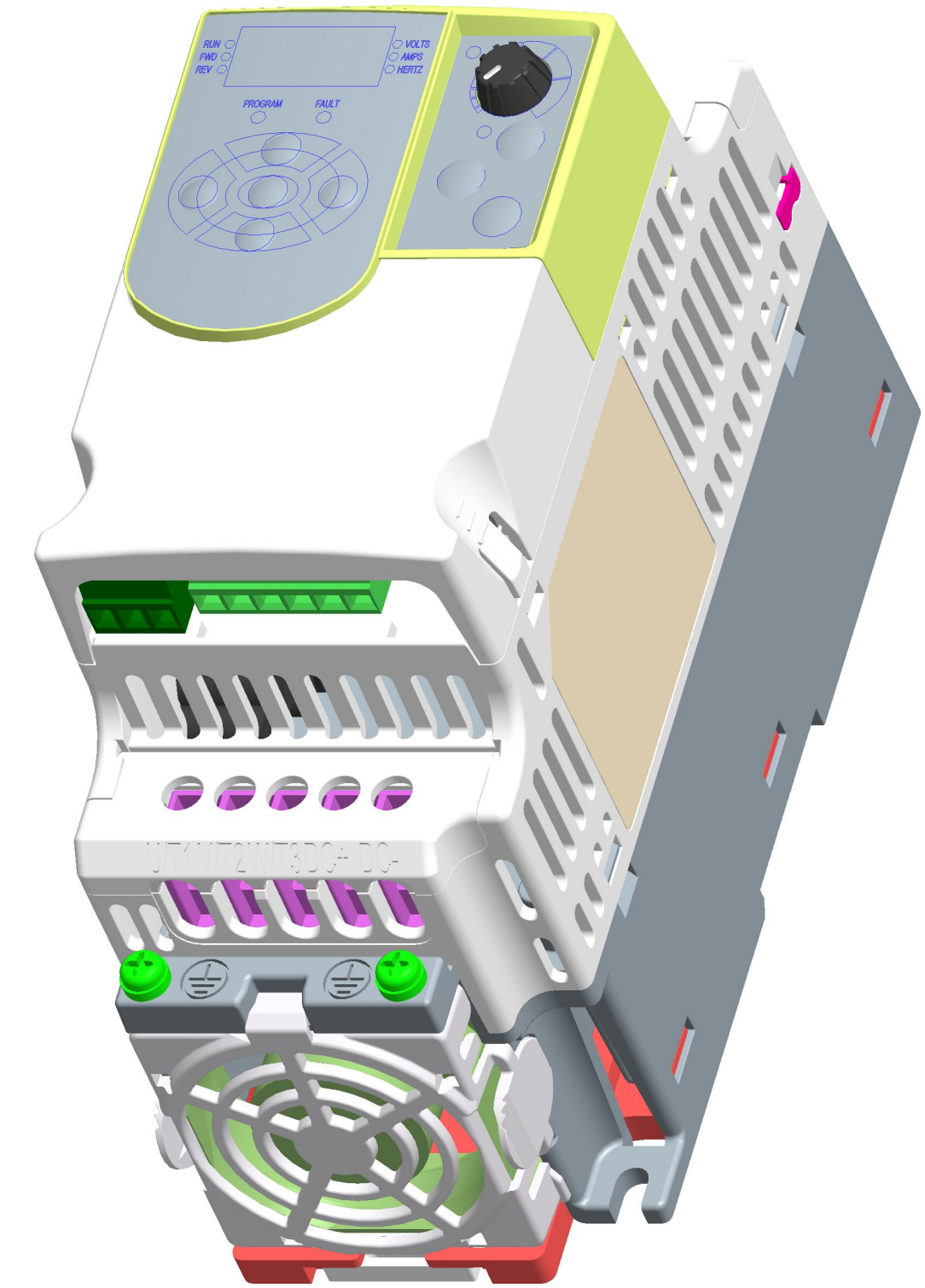
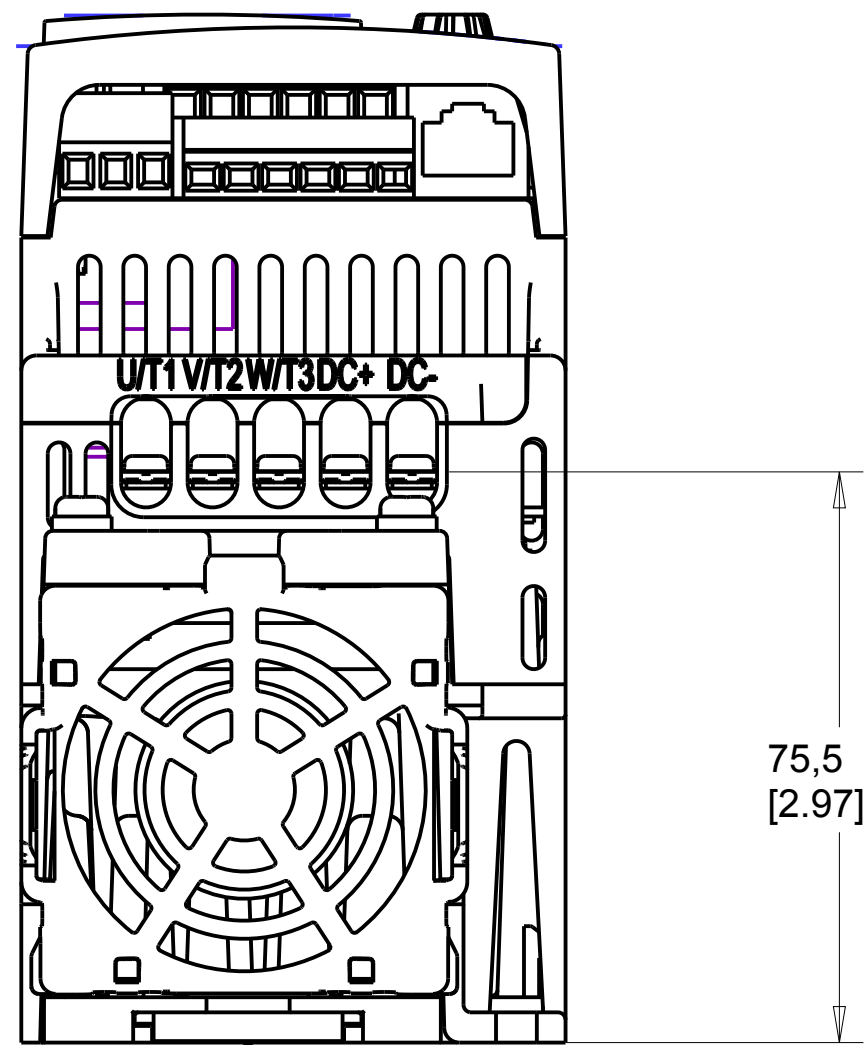
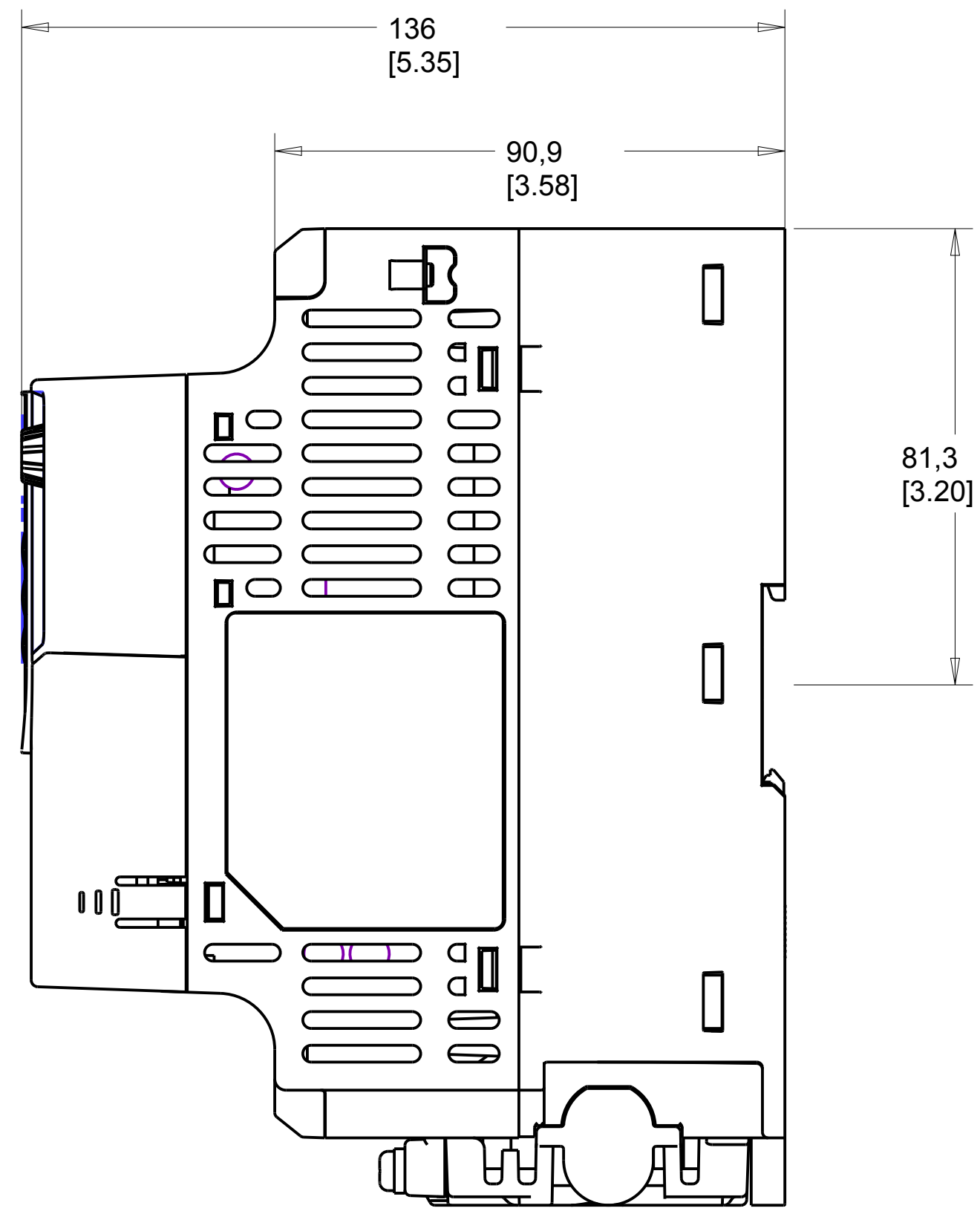
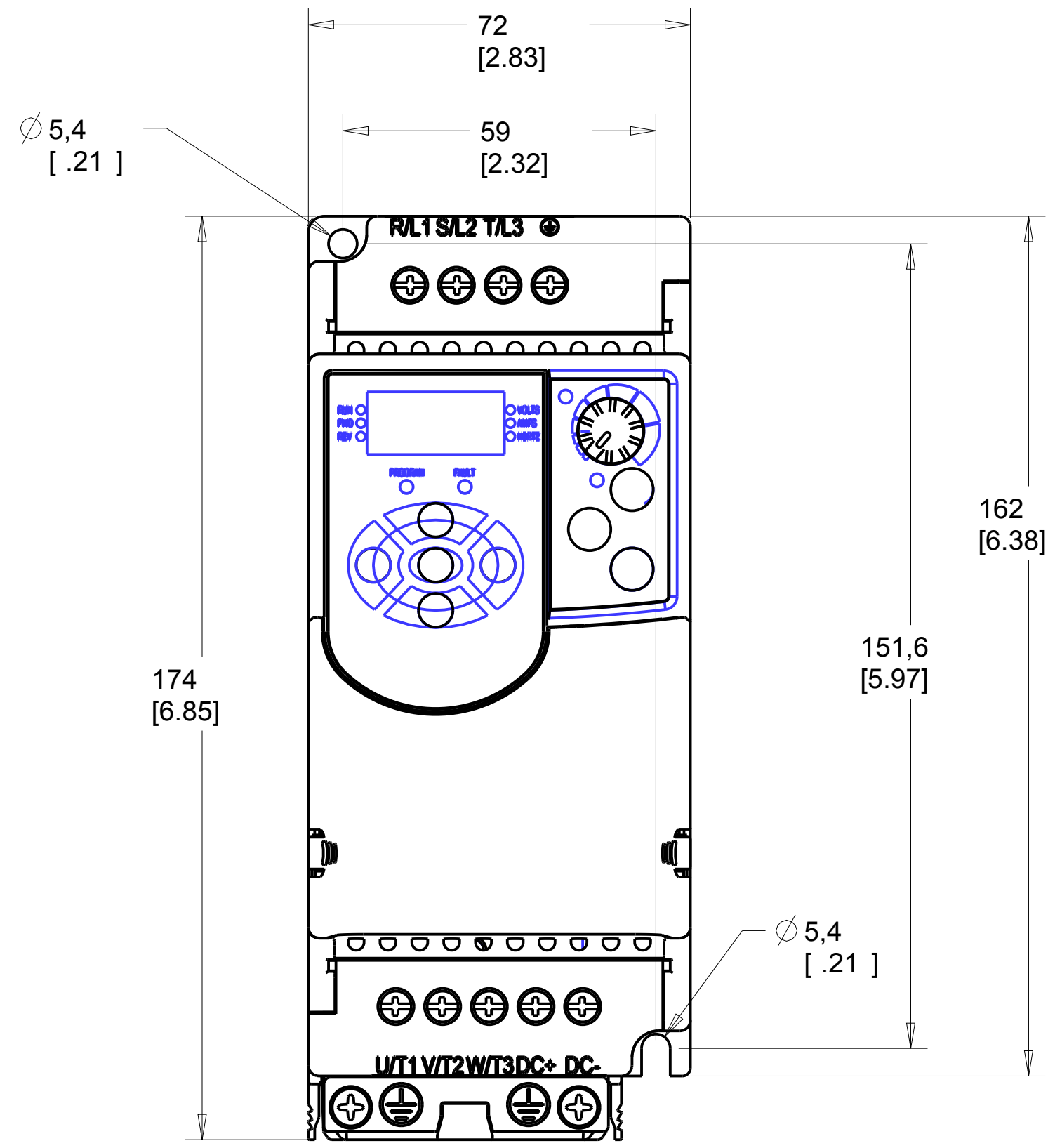


1 2 3 4 5 6 7 8

A
B
C
D
E
F
G
H



Rockwell Automation		CONFIDENTIAL AND PROPRIETARY INFORMATION THIS DOCUMENT CONTAINS CONFIDENTIAL AND PROPRIETARY INFORMATION OF ROCKWELL AUTOMATION, INC. AND MAY NOT BE USED, COPIED OR DISCLOSED TO OTHERS, EXCEPT WITH THE AUTHORIZED WRITTEN PERMISSION OF ROCKWELL AUTOMATION, INC.	
22F PF4M, FRAME A OUTLINE DRAWING		Sheet 1 Of 1	
Drawn by: IGUREV11 Date: 06-27-11		D	10000192696 00