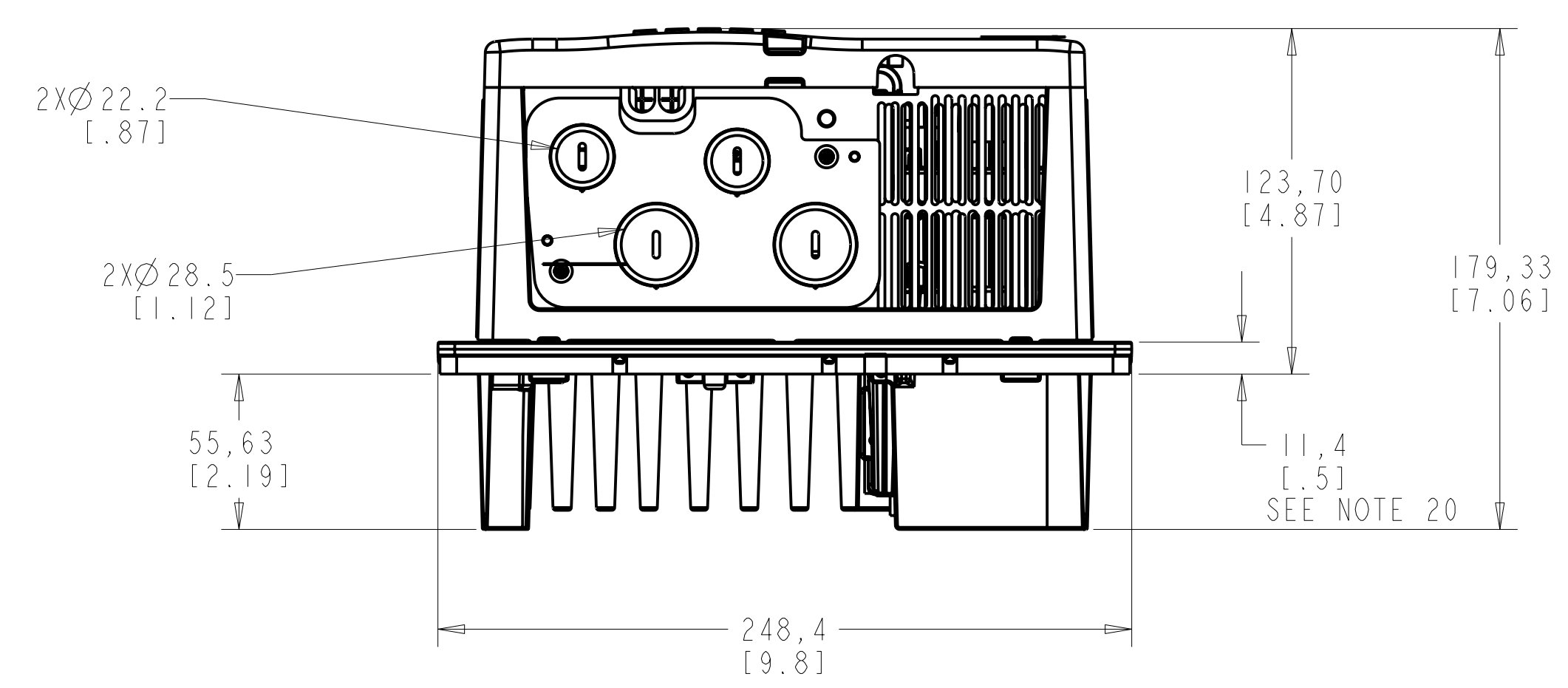


**DETAIL A**  
SCALE 4.000  
14 PLACES



SEE NOTE 20

NOTES:  
20. COMPRESS GASKET UNTIL STOPS ON METAL FLANGE STRIKE MOUNTING SURFACE. USE SCREWS PROVIDED.

		<small>CONFIDENTIAL AND PROPRIETARY INFORMATION THIS DOCUMENT CONTAINS CONFIDENTIAL AND PROPRIETARY INFORMATION OF ROCKWELL AUTOMATION, INC. AND MAY NOT BE USED, COPIED OR DISCLOSED TO OTHERS, EXCEPT WITH THE AUTHORIZED WRITTEN PERMISSION OF ROCKWELL AUTOMATION, INC.</small>	
		Sheet 13 Of 14	
D FRAME ASSEMBLY NEMA I PANEL AND FLANGE MOUNT		Size D	Ver 10
Drawn by: IGUREVII	Date: 11-03-09	189691-9	