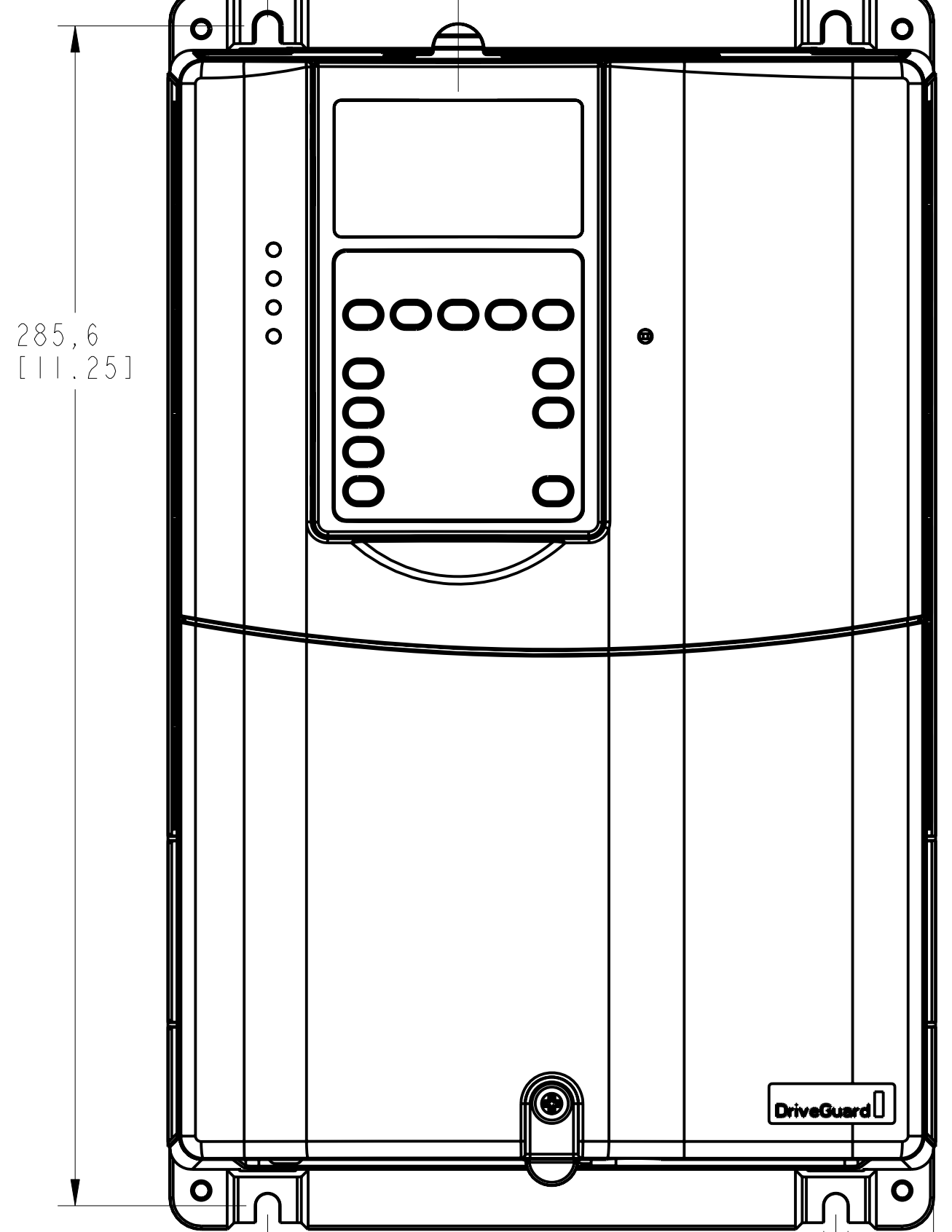


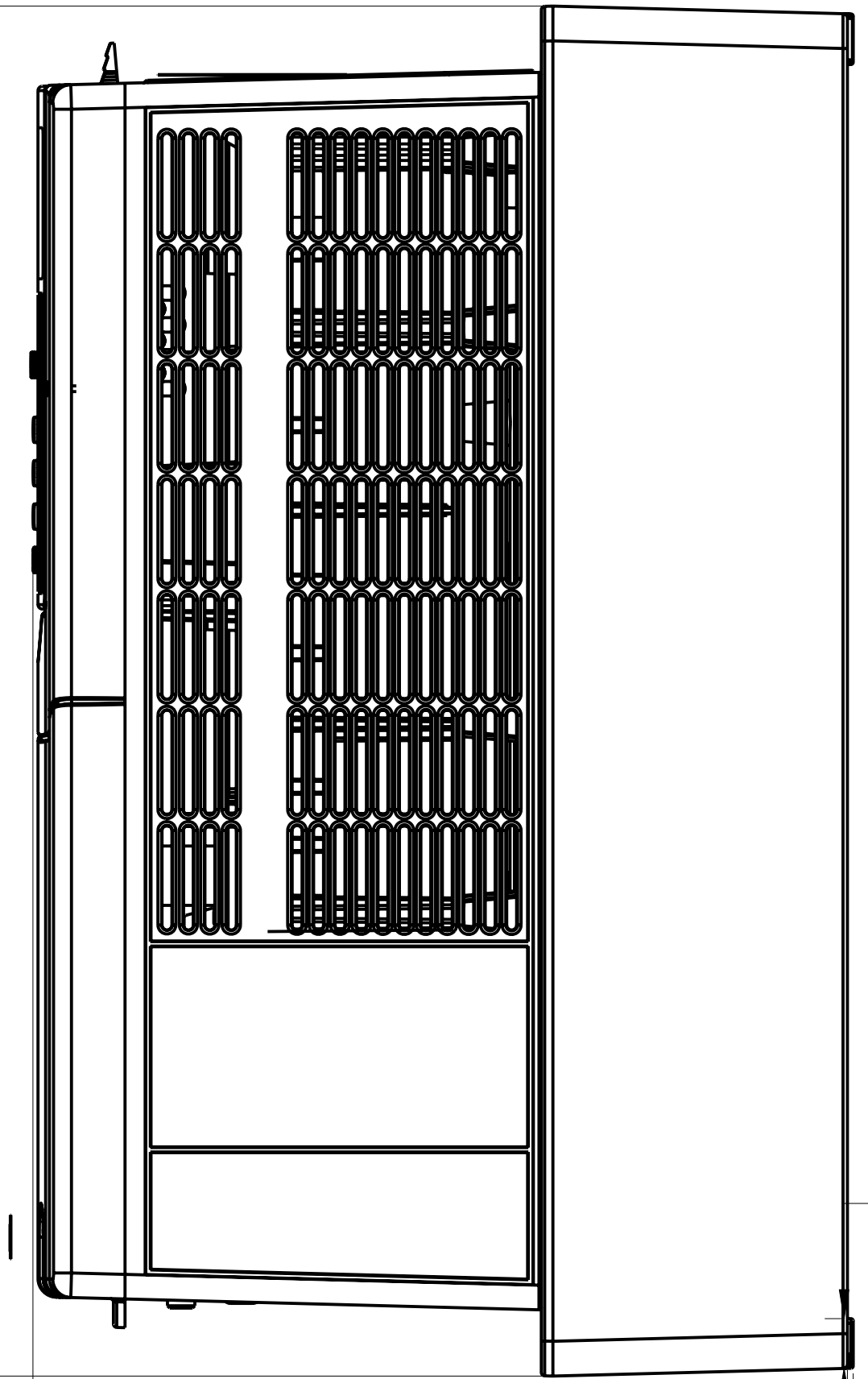
46,2 [1.82] 4 X 13,4 [0.53]



285,6 [11.25]

4 X 5,9 [0.23] 4 X 23,7 [0.93] 2 X 137,6 [5.42]

300,0 [11.81]

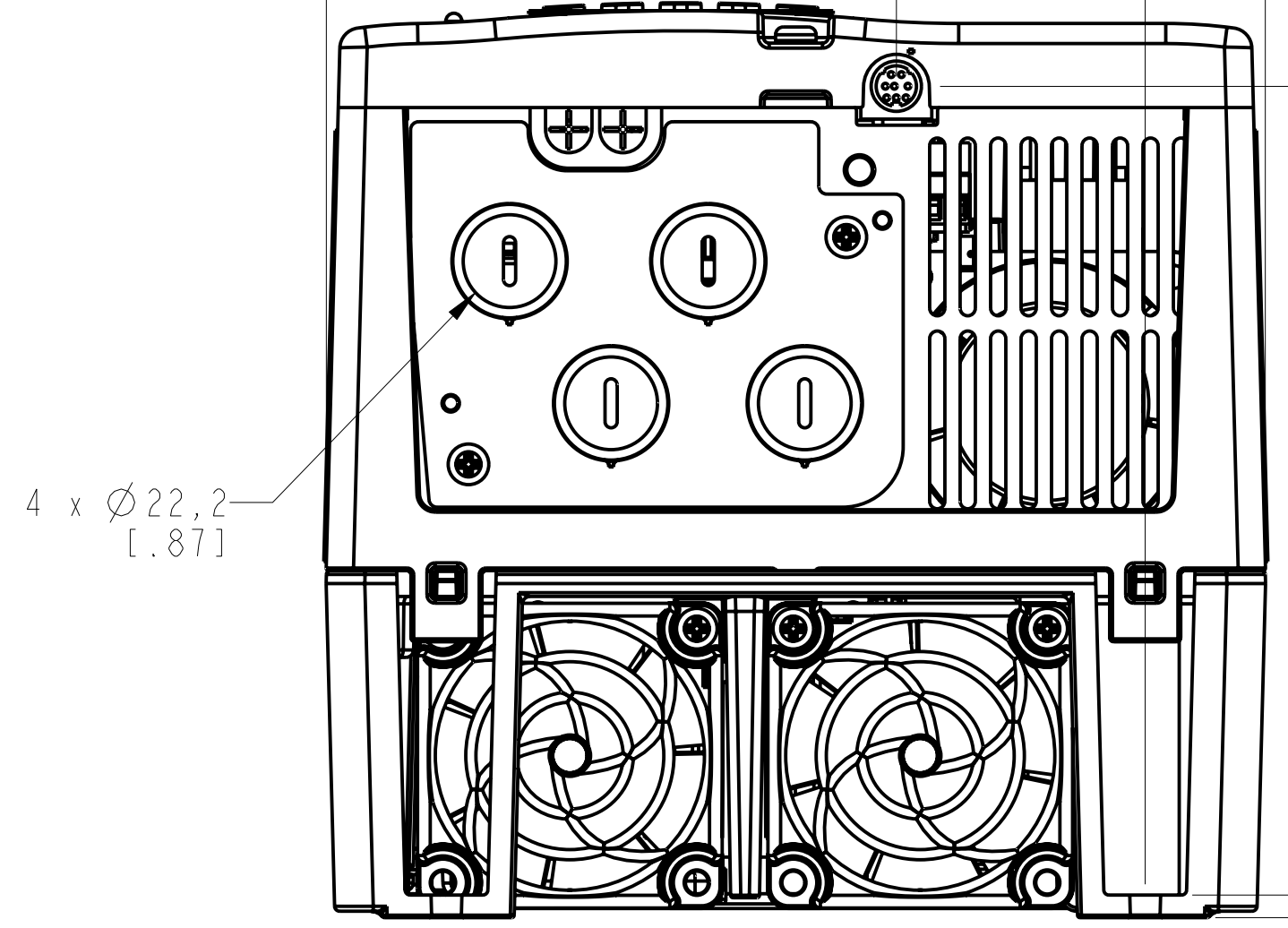


10,9 [0.43]

179,7 [7.07]

1,3 [0.05]

185 [7.3] 49,0 \varnothing OF MOUNTING FOOT [1.93]



4 x \varnothing 22,2 [0.87]

163,7 [6.44]

4,5 [0.18]

Rockwell Automation

C FRAME ASSEMBLY NEMA 1
PANEL AND FLANGE MOUNT PF70

Drawn by: CDSWOVER Date: 10-02-09

CONFIDENTIAL AND PROPRIETARY INFORMATION
THIS DOCUMENT CONTAINS CONFIDENTIAL AND PROPRIETARY
INFORMATION OF ROCKWELL AUTOMATION, INC. AND MAY
NOT BE USED, COPIED OR DISCLOSED TO OTHERS, EXCEPT
WITH THE AUTHORIZED WRITTEN PERMISSION OF ROCKWELL
AUTOMATION, INC.

Sheet 9 Of 11

Size D 189690-9 Ver 11