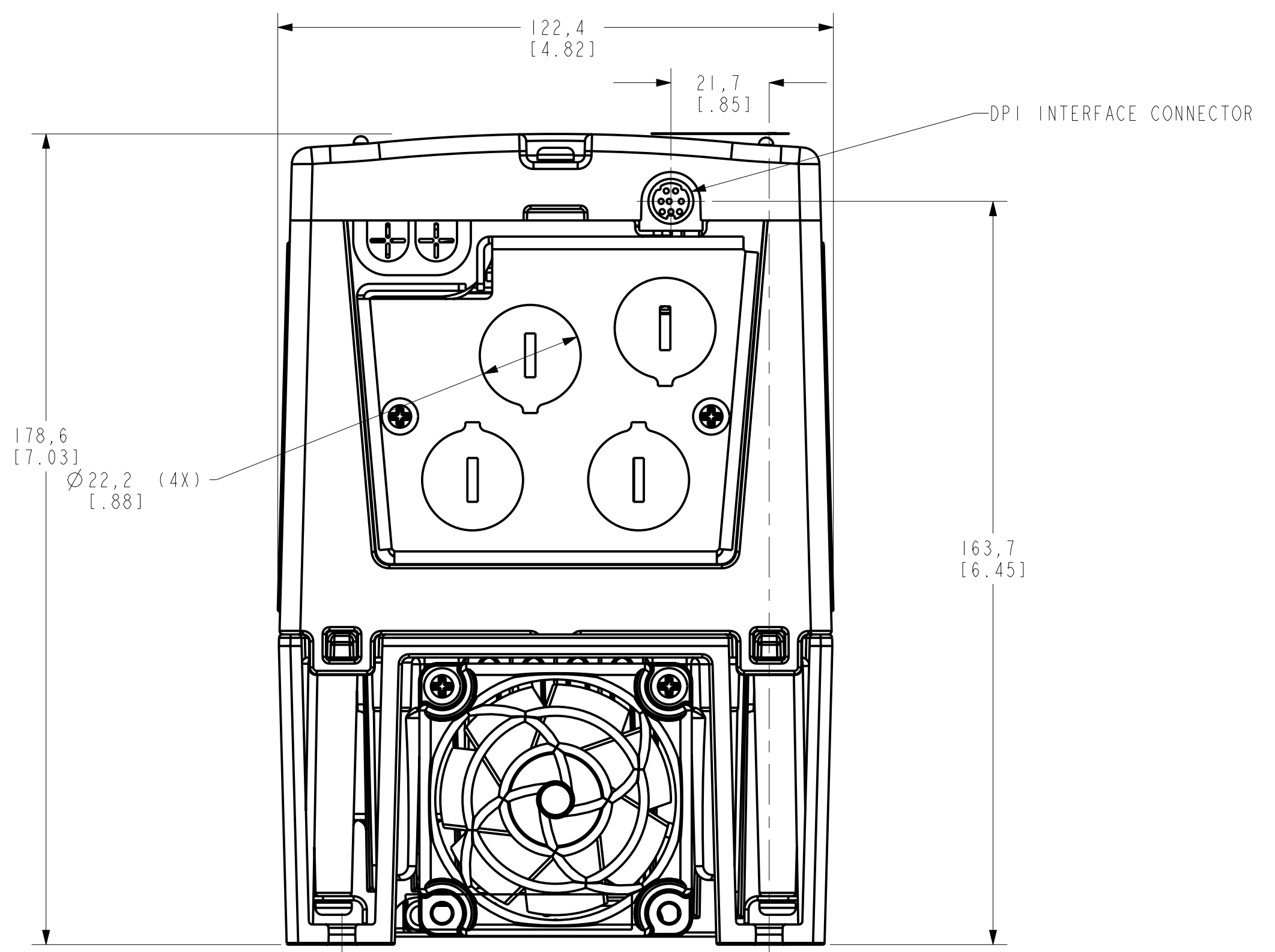
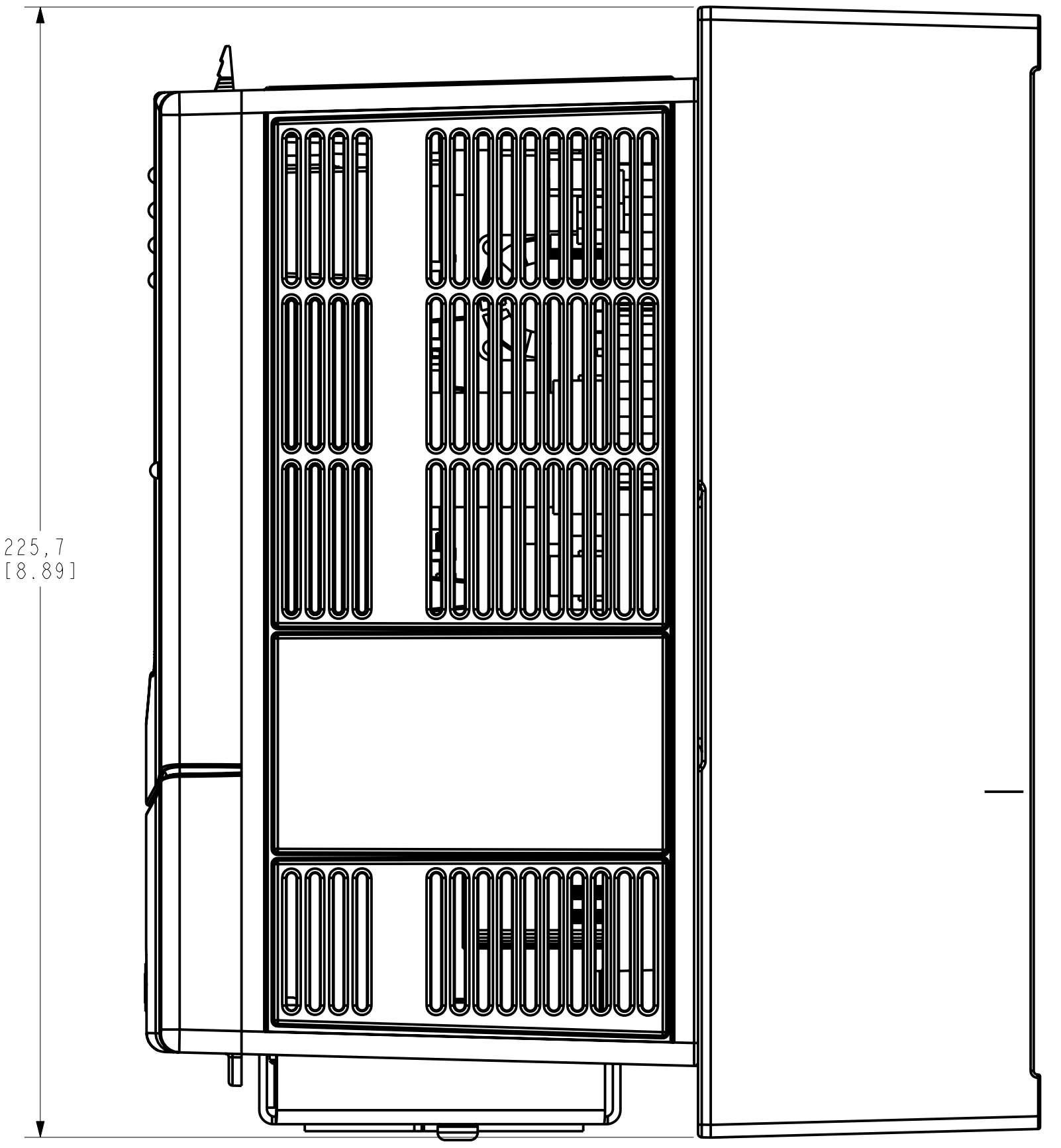
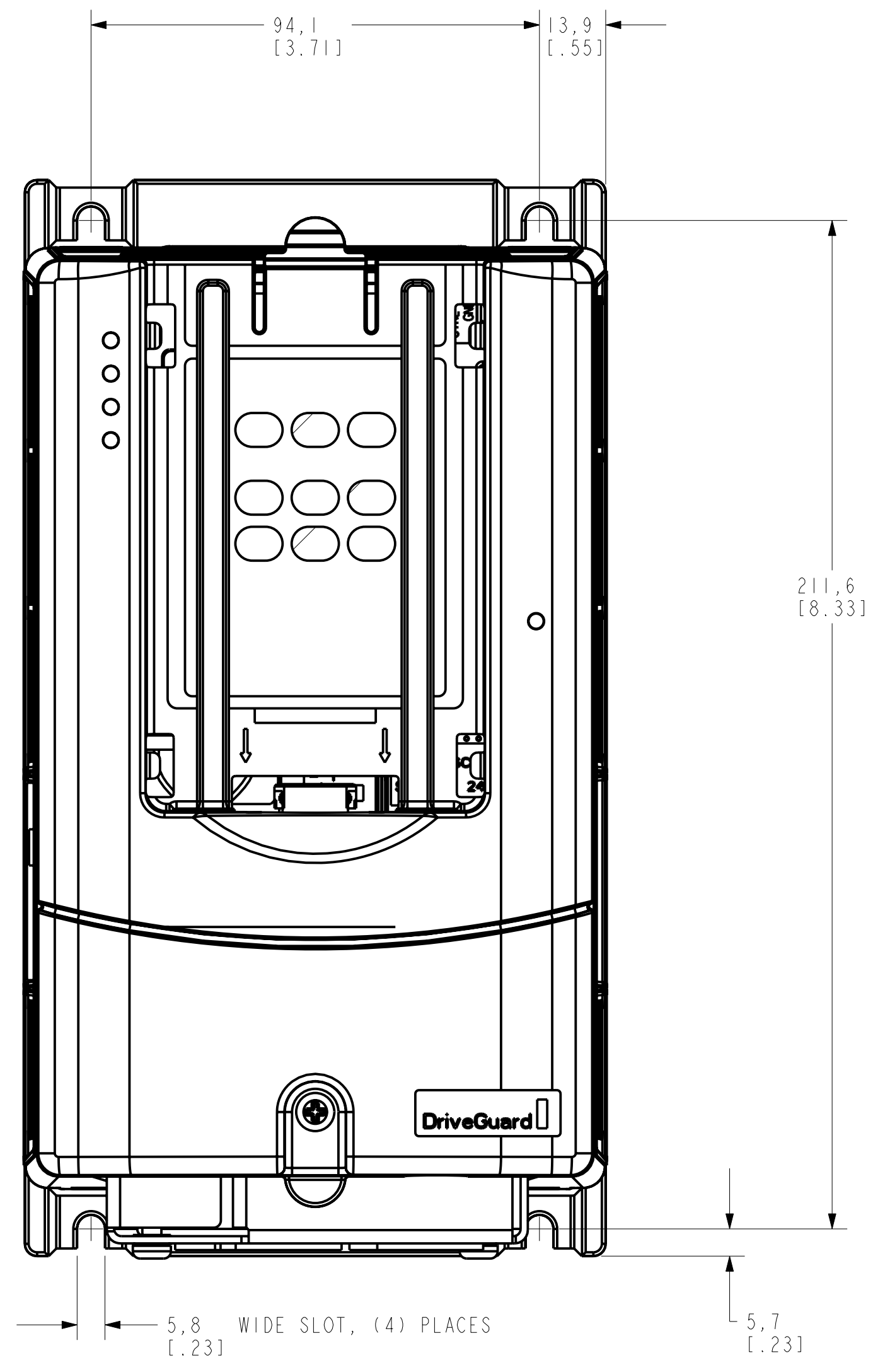
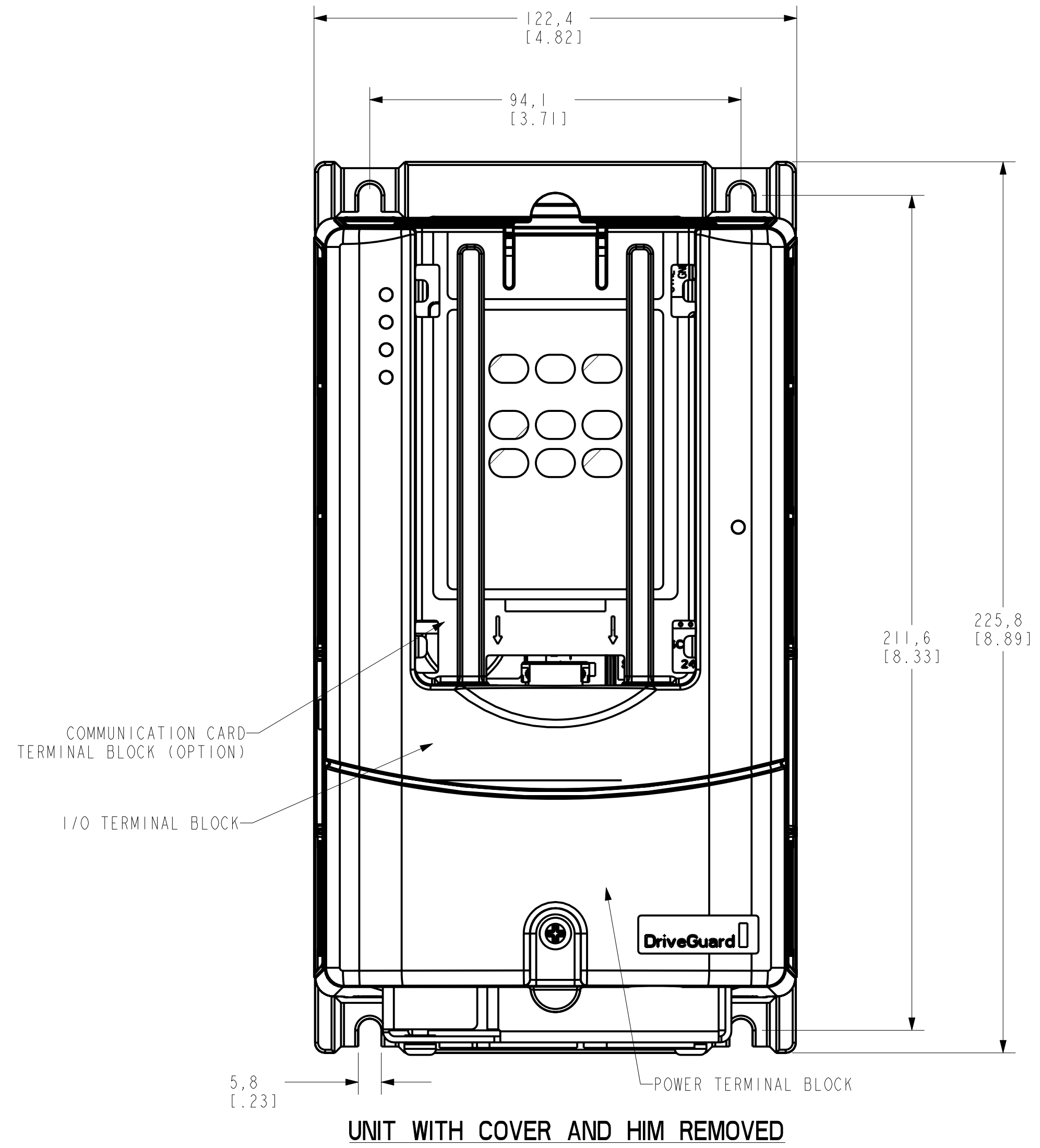


1 2 3 4 5 6 7 8

A
B
C
D
E
F
G
H



PARTS MUST CONFORM TO APPLICABLE ROCKWELL AUTOMATION MANUFACTURING STANDARDS
CAD DOCUMENT
FILE NAME 189680-9

REFERENCES		DIMENSIONS APPLY BEFORE SURFACE TREATMENT		ASSEMBLY, A FRAME, NEMA 1 PANEL AND FLANGE MOUNT		CONFIDENTIAL AND PROPRIETARY INFORMATION	
REVISION AUTHORIZATION		DIMENSIONS IN mm [IN.]		Rockwell Automation		THIS DOCUMENT CONTAINS CONFIDENTIAL AND PROPRIETARY INFORMATION OF ROCKWELL AUTOMATION, INC. AND MAY NOT BE USED, COPIED OR DISCLOSED TO OTHERS, EXCEPT WITH THE AUTHORIZED WRITTEN PERMISSION OF ROCKWELL AUTOMATION, INC.	
		.XX:±	N/A	DR.	JMC	DATE	02-18-2000
08	-	ANGLES:±	N/A	CHKD.	MSM	DATE	02-18-2000
07	1026265	SCALE	1:1	APPD.	KJR	DATE	02-18-2000
						SHEET	11 OF 12
						DWG. SIZE	D
						189680-9	