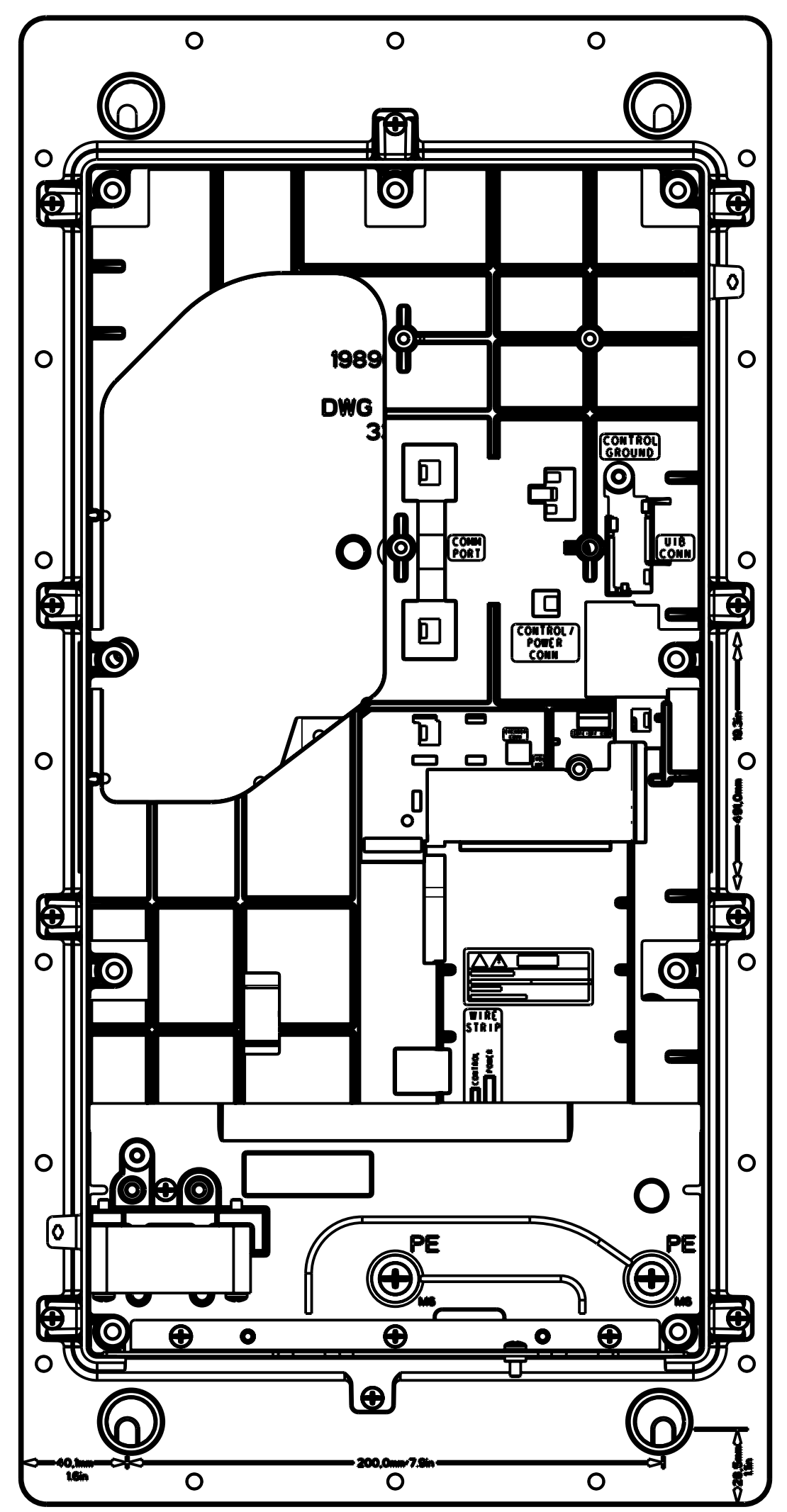


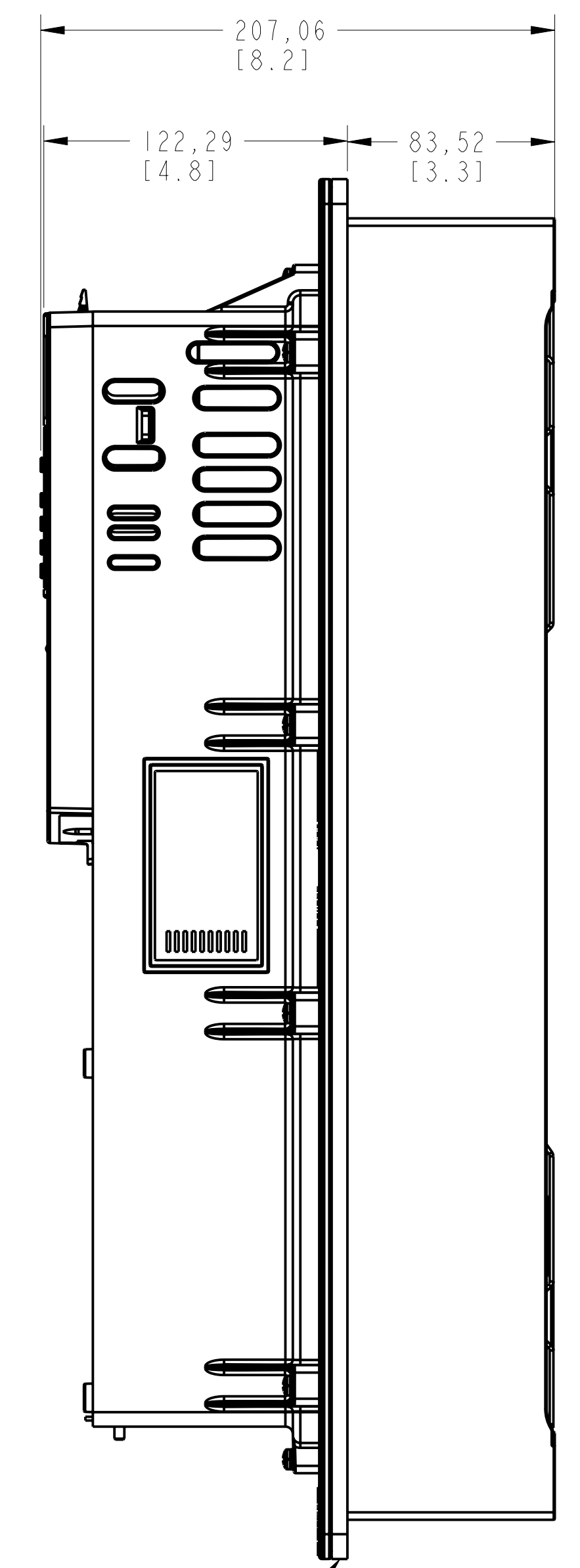
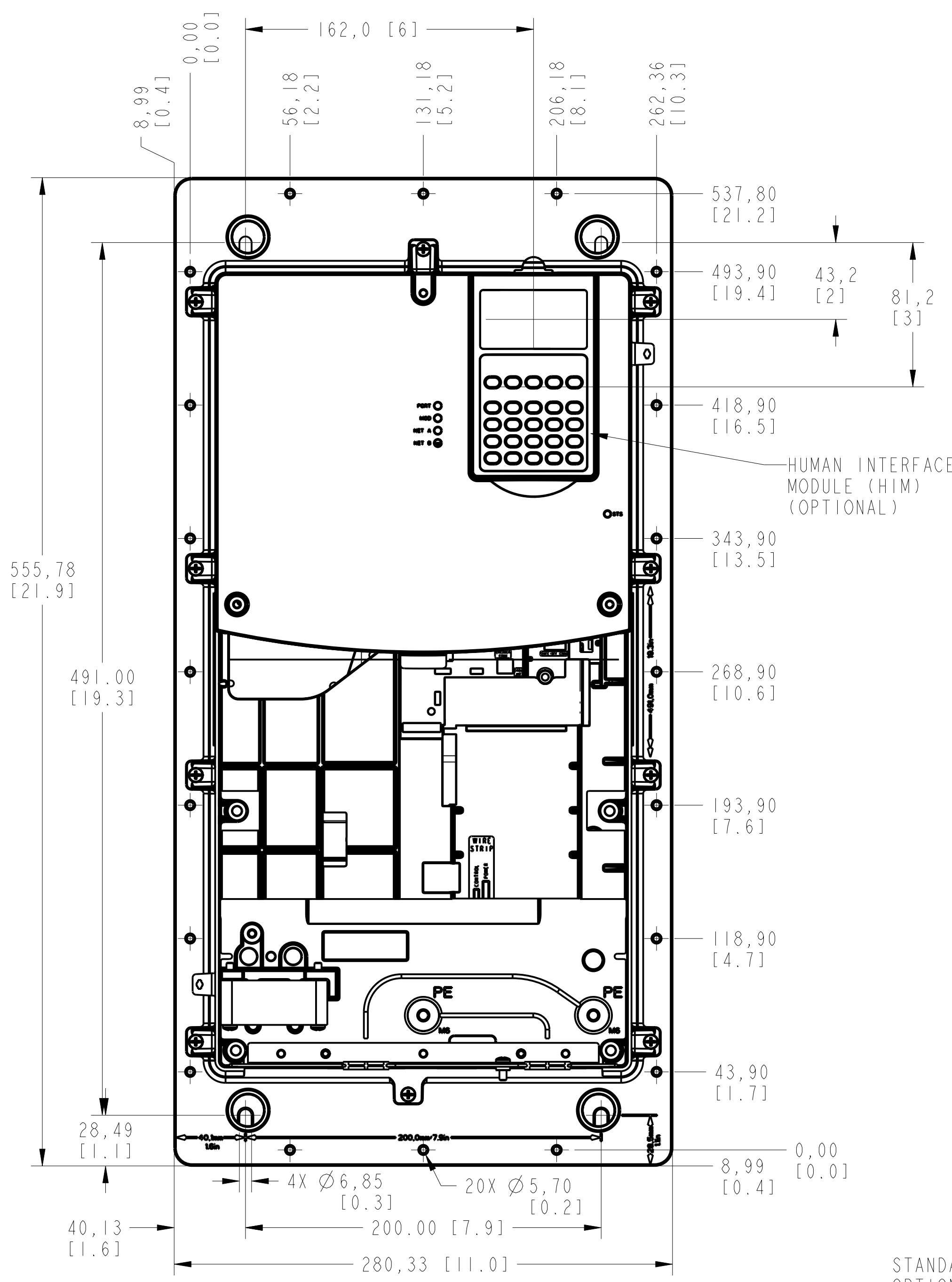
1 2 3 4 5 6 7 8

A
B
C
D
E
F
G
H

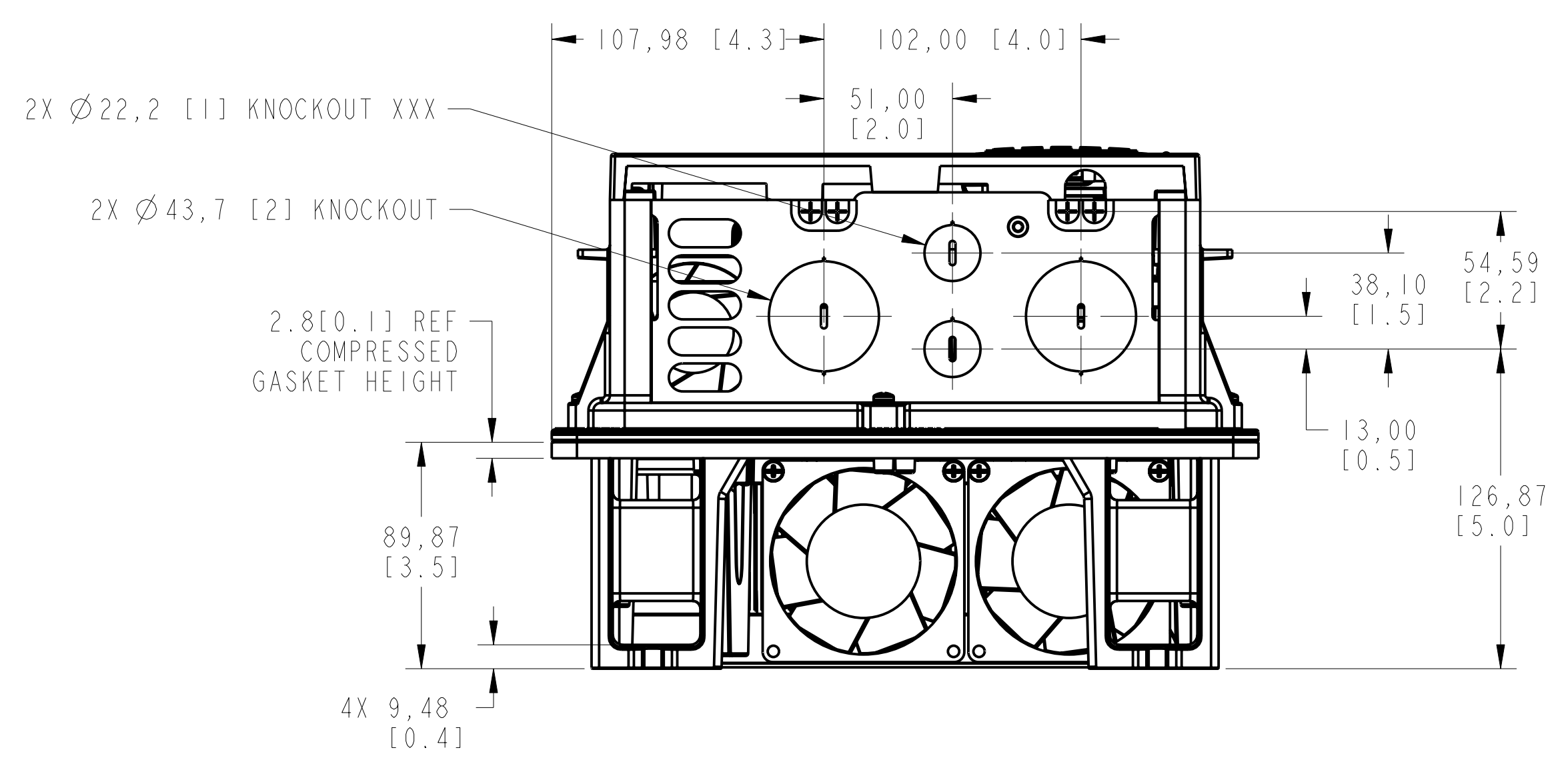


UNIT WITH COVERS AND HIM REMOVED

- COMMUNICATION CARD (OPTIONAL)
- SAFE-OFF ENHANCEMENT (OPTIONAL)
- ENCODER ENHANCEMENT (OPTIONAL)
- I/O TERMINAL BLOCK
- POWER TERMINAL BLOCK



FLANGE GASKET STANDARD ON FLANGE TYPE 4X/12 OPTIONAL ON STANDALONE TYPE 1



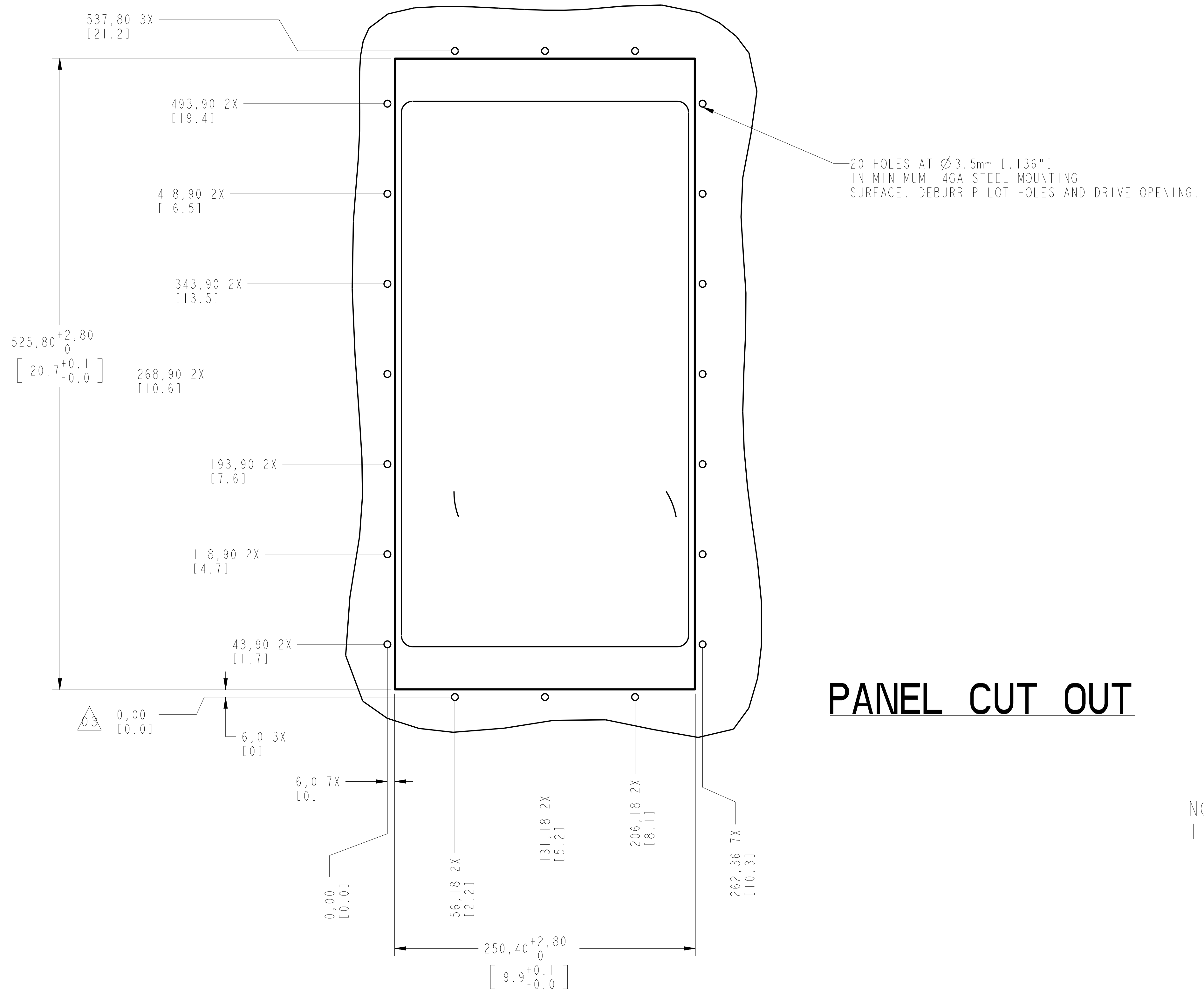
PARTS MUST CONFORM TO APPLICABLE ROCKWELL AUTOMATION MANUFACTURING STANDARDS

CAD DOCUMENT

FILE NAME 198951-6

REFERENCES		FRAME-E OUTLINE, PF70/SP600		CONFIDENTIAL AND PROPRIETARY INFORMATION	
REVISION AUTHORIZATION		STANDALONE TYPE 1		THIS DOCUMENT CONTAINS CONFIDENTIAL AND PROPRIETARY INFORMATION OF ROCKWELL AUTOMATION, INC. AND MAY NOT BE USED, COPIED OR DISCLOSED TO OTHERS, EXCEPT WITH THE AUTHORIZED WRITTEN PERMISSION OF ROCKWELL AUTOMATION, INC.	
		FLANGE TYPE 4X/12			
		Rockwell Automation			
04	-	.X:± N/A	DR. W.O.TOBIAS	DATE 02-18-04	SHEET 1 OF 2
03	1009521	.XX:± N/A	CHKD. S.PERREAU	DATE 02-24-04	DWG. SIZE
02	1007771	ANGLES:± N/A	APPD. B.W.WEISS	DATE 02-24-04	198951-6
01	1006227				

CLASSIFICATION TABLE						
P=PERFORMANCE, F=FIT, A=ASSEMBLY (USE ONLY WITH Ø SYMBOL)						
X=IDENTIFIES APPLICABLE CLASSIFICATION(S)						
Ø=REQUIRED BY ENGINEERING AND/OR MANUFACTURING						
⊕=STRICT CONFORMANCE TO SPECIFICATION REQUIRED AND IS NOT NEGOTIABLE (MAY BE REQUIRED BY REGULATORY AGENCY)						
CHARACTERISTIC -OR- DIMENSION	COMMENT	DRAWING LOCATION (ZONE)	P	F	A	X



PANEL CUT OUT

NOTE:
1. MOUNTING HARDWARE SHIPPED WITH DRIVE.

SCALE 0.500

PARTS MUST CONFORM TO APPLICABLE ROCKWELL AUTOMATION MANUFACTURING STANDARDS

CAD DOCUMENT

FILE NAME 198951-6

REFERENCES		FRAME-E OUTLINE, PF70/SP600		CONFIDENTIAL AND PROPRIETARY INFORMATION THIS DOCUMENT CONTAINS CONFIDENTIAL AND PROPRIETARY INFORMATION OF ROCKWELL AUTOMATION, INC. AND MAY NOT BE USED, COPIED OR DISCLOSED TO OTHERS, EXCEPT WITH THE AUTHORIZED WRITTEN PERMISSION OF ROCKWELL AUTOMATION, INC.
REVISION AUTHORIZATION	DIMENSIONS APPLY BEFORE SURFACE TREATMENT DIMENSIONS IN MILLIMETERS	STANDALONE TYPE 1	FLANGE TYPE 4X/12	
04	TOLERANCES UNLESS OTHERWISE SPECIFIED .X:± N/A			
03	.XX:± N/A			
02	ANGLES:± N/A			
01		DR. W.O.TOBIAS DATE 05-06-04	DATE 02-24-04	SHEET 2 OF 2
		CHKD. S.PERREAUULT DATE 02-24-04	DATE 02-24-04	DWG. SIZE 198951-6
		APPD. B.W. WEISS DATE 02-24-04		D