

COMMUNICATION CARD (OPTIONAL)

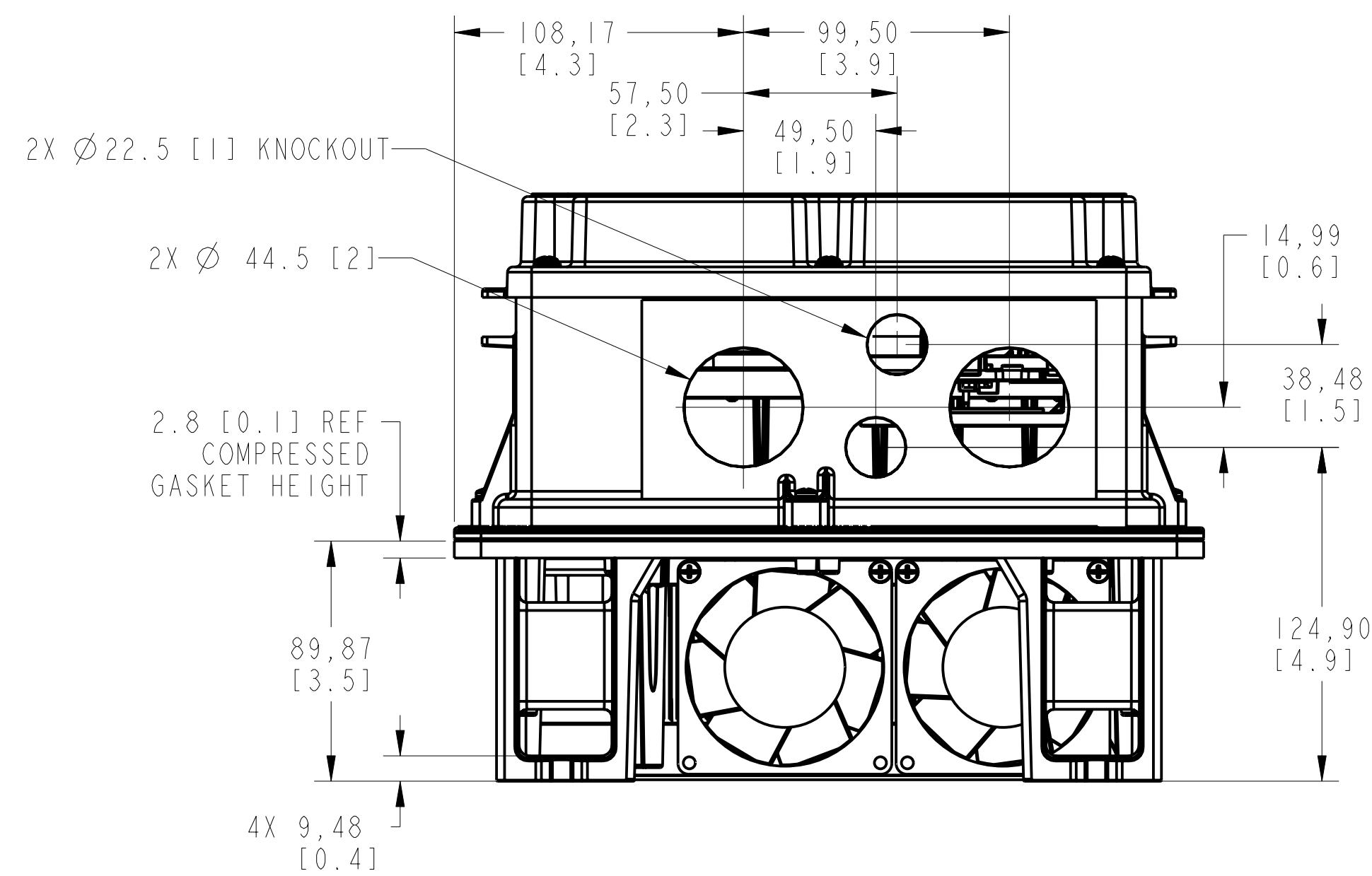
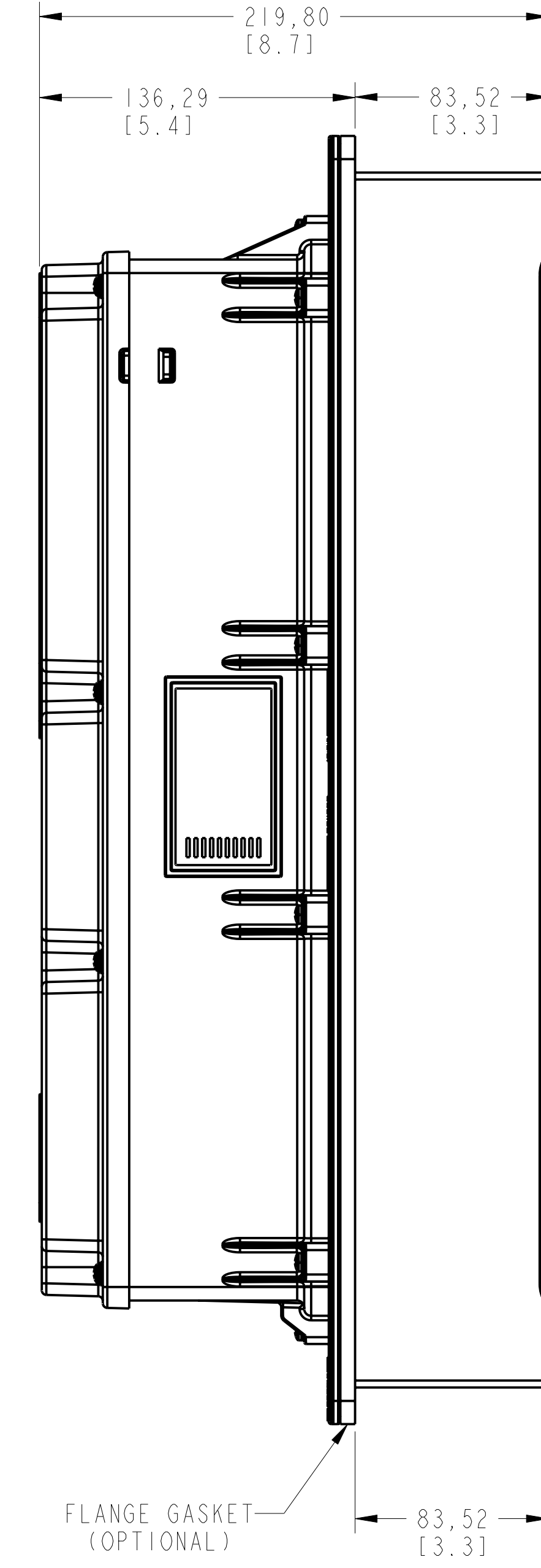
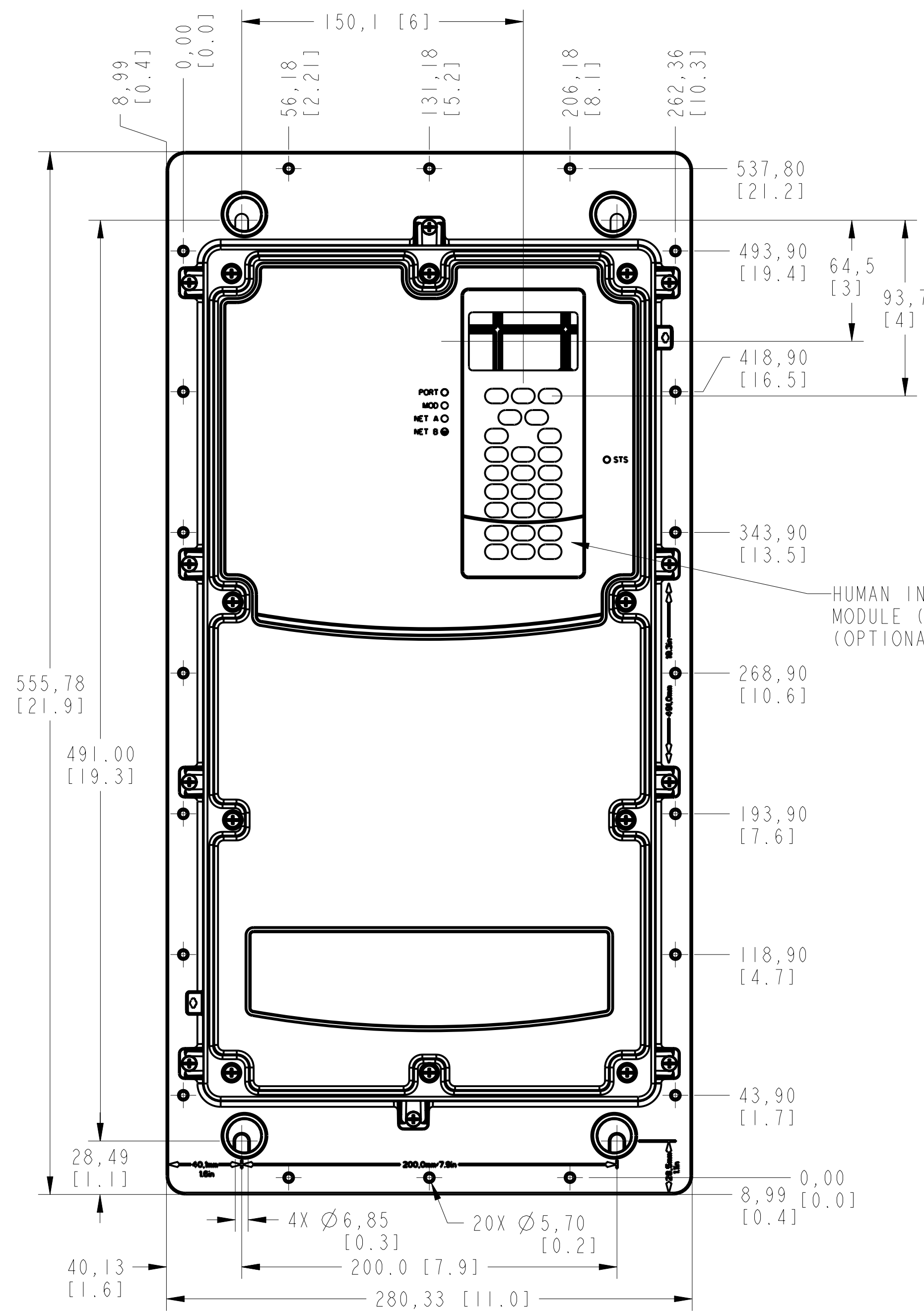
SAFE-OFF ENHANCEMENT (OPTIONAL)

ENCODER ENHANCEMENT (OPTIONAL)

I/O TERMINAL BLOCK

POWER TERMINAL BLOCK

UNIT WITH COVER AND HIM REMOVED



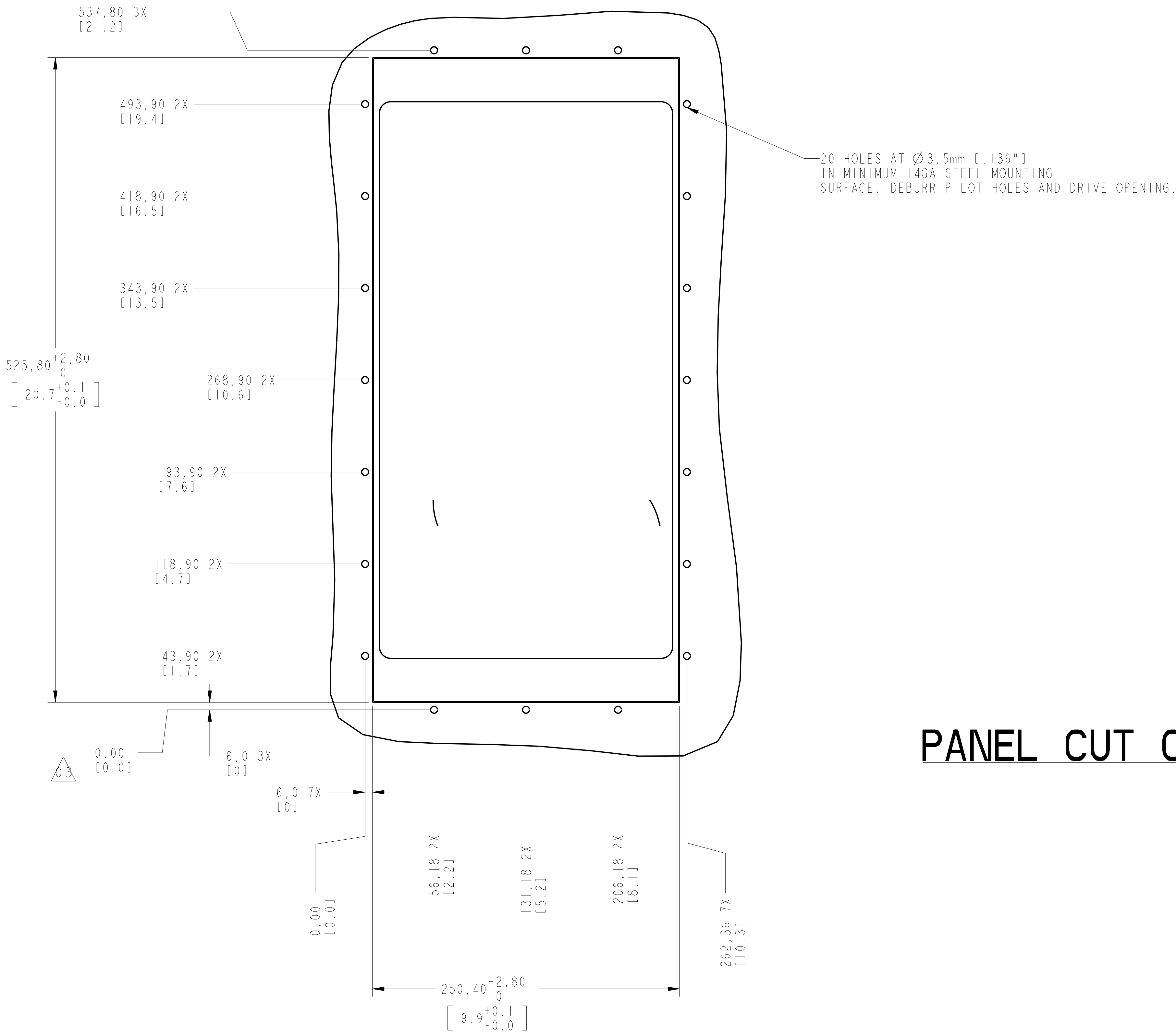
REFERENCES		FRAME-E OUTLINE PF70/SP600		CONFIDENTIAL AND PROPRIETARY INFORMATION THIS DOCUMENT CONTAINS CONFIDENTIAL AND PROPRIETARY INFORMATION OF ROCKWELL AUTOMATION, INC. AND MAY NOT BE USED, COPIED OR DISCLOSED TO OTHERS, EXCEPT WITH THE AUTHORIZED WRITTEN PERMISSION OF ROCKWELL AUTOMATION, INC.
REVISION	DIMENSIONS APPLY BEFORE SURFACE TREATMENT	STANDALONE TYPE 12	STANDALONE TYPE 4X	
AUTHORIZATION	DIMENSIONS IN MILLIMETERS (INCHES)			
	TOLERANCES UNLESS OTHERWISE SPECIFIED	Rockwell Automation		
04	.X:± N/A	DR. W.O.TOBIAS	DATE 02-13-04	SHEET 1 OF 2
03	.XX:± N/A	CHKD. S.PERREAU	DATE 02-24-04	DWG. SIZE
02	ANGLES:± N/A	APPD. B.W.WEISS	DATE 02-24-04	198952-6
01				

PARTS MUST CONFORM TO APPLICABLE ROCKWELL AUTOMATION MANUFACTURING STANDARDS

CAD DOCUMENT

FILE NAME 198952-6

CLASSIFICATION TABLE						
P=PERFORMANCE, F=FIT, A=ASSEMBLY (USE ONLY WITH Ø SYMBOL) X=IDENTIFIES APPLICABLE CLASSIFICATION(S) Ø=REQUIRED BY ENGINEERING AND/OR MANUFACTURING ⊕=STRICT CONFORMANCE TO SPECIFICATION REQUIRED AND IS NOT NEGOTIABLE (MAY BE REQUIRED BY REGULATORY AGENCY)						
CHARACTERISTIC -OR- DIMENSION	COMMENT	DRAWING LOCATION (ZONE)	P	F	A	R



PANEL CUT OUT

NOTES:
1. MOUNTING HARDWARE SHIPPED WITH DRIVE.

PARTS MUST CONFORM TO APPLICABLE ROCKWELL AUTOMATION MANUFACTURING STANDARDS

CAD DOCUMENT

FILE NAME 198952-6

REFERENCES		FRAME-E OUTLINE PF70/SP600		CONFIDENTIAL AND PROPRIETARY INFORMATION THIS DOCUMENT CONTAINS CONFIDENTIAL AND PROPRIETARY INFORMATION OF ROCKWELL AUTOMATION, INC. AND MAY NOT BE USED, COPIED OR DISCLOSED TO OTHERS, EXCEPT WITH THE AUTHORIZED WRITTEN PERMISSION OF ROCKWELL AUTOMATION, INC.
REVISION AUTHORIZATION	DIMENSIONS APPLY BEFORE SURFACE TREATMENT DIMENSIONS IN MILLIMETERS	STANDALONE TYPE 12	STANDALONE TYPE 4X	
04	TOLERANCES UNLESS OTHERWISE SPECIFIED .X:± N/A			
03	.XX:± N/A			
02	ANGLES:± N/A			
01		DR. W.O. TOBIAS DATE 05-07-04	DATE 02-24-04	SHEET 2 OF 2
		CHKD. S. PERRUALT DATE 02-24-04	DATE 02-24-04	DWG SIZE
		APPD. B.W. WEISS DATE 02-24-04		D 198952-6