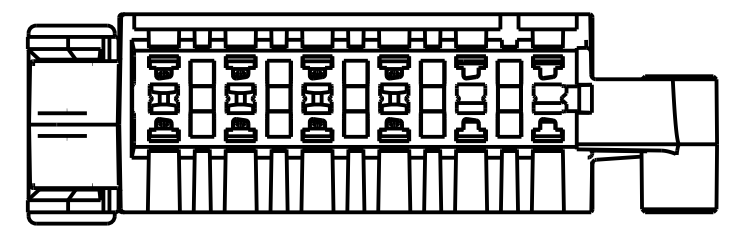
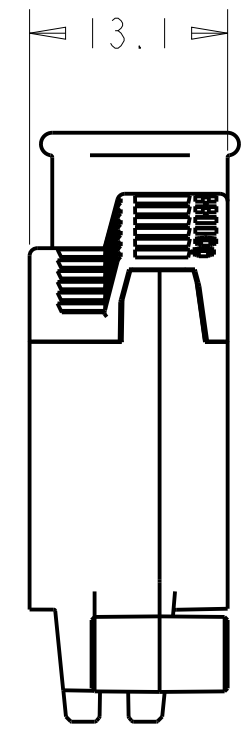
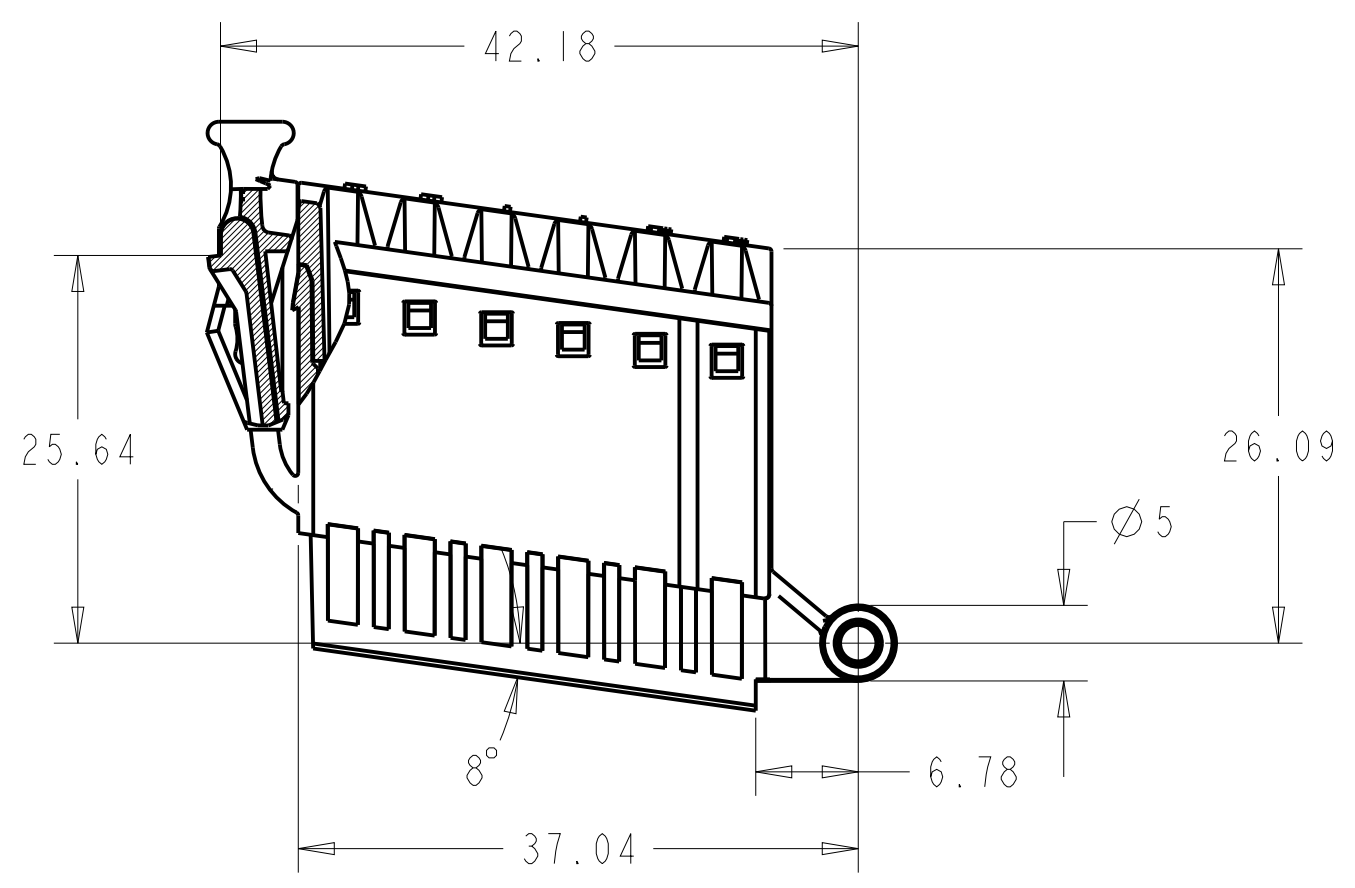


1 2 3 4 5 6 7 8

A  
B  
C  
D  
E  
F  
G  
H



**Rockwell  
Automation**

5069, 6 POS, RTB, 5.08MM

Drawn by: SREDDY2

Date: JUN-29-2015

CONFIDENTIAL AND PROPRIETARY INFORMATION.  
THIS DOCUMENT CONTAINS CONFIDENTIAL AND PROPRIETARY  
INFORMATION OF ROCKWELL AUTOMATION, INC. AND MAY  
NOT BE USED, COPIED OR DISCLOSED TO OTHERS, EXCEPT  
WITH THE AUTHORIZED WRITTEN PERMISSION OF ROCKWELL  
AUTOMATION, INC.

Sheet 1 Of 1

Size		Ver
<b>B</b>	<b>10001745408</b>	<b>00</b>