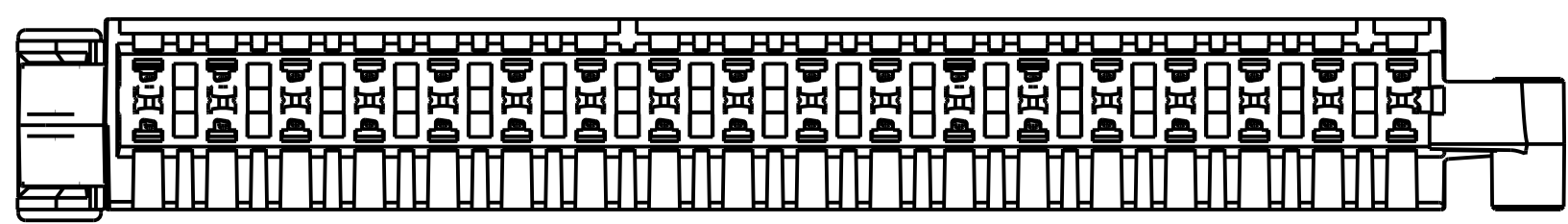
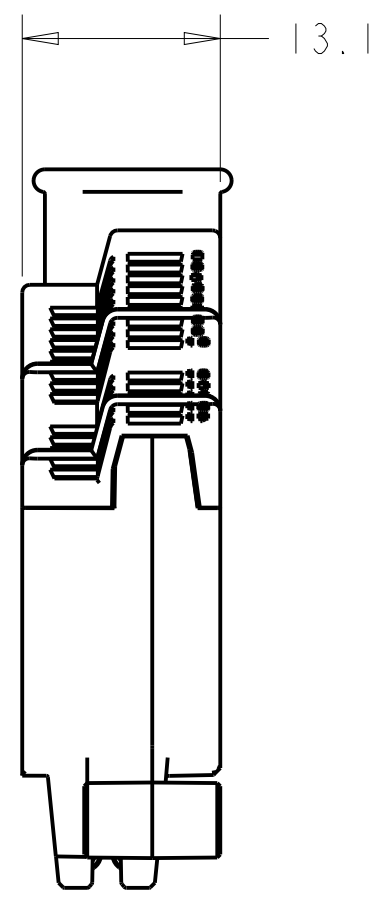
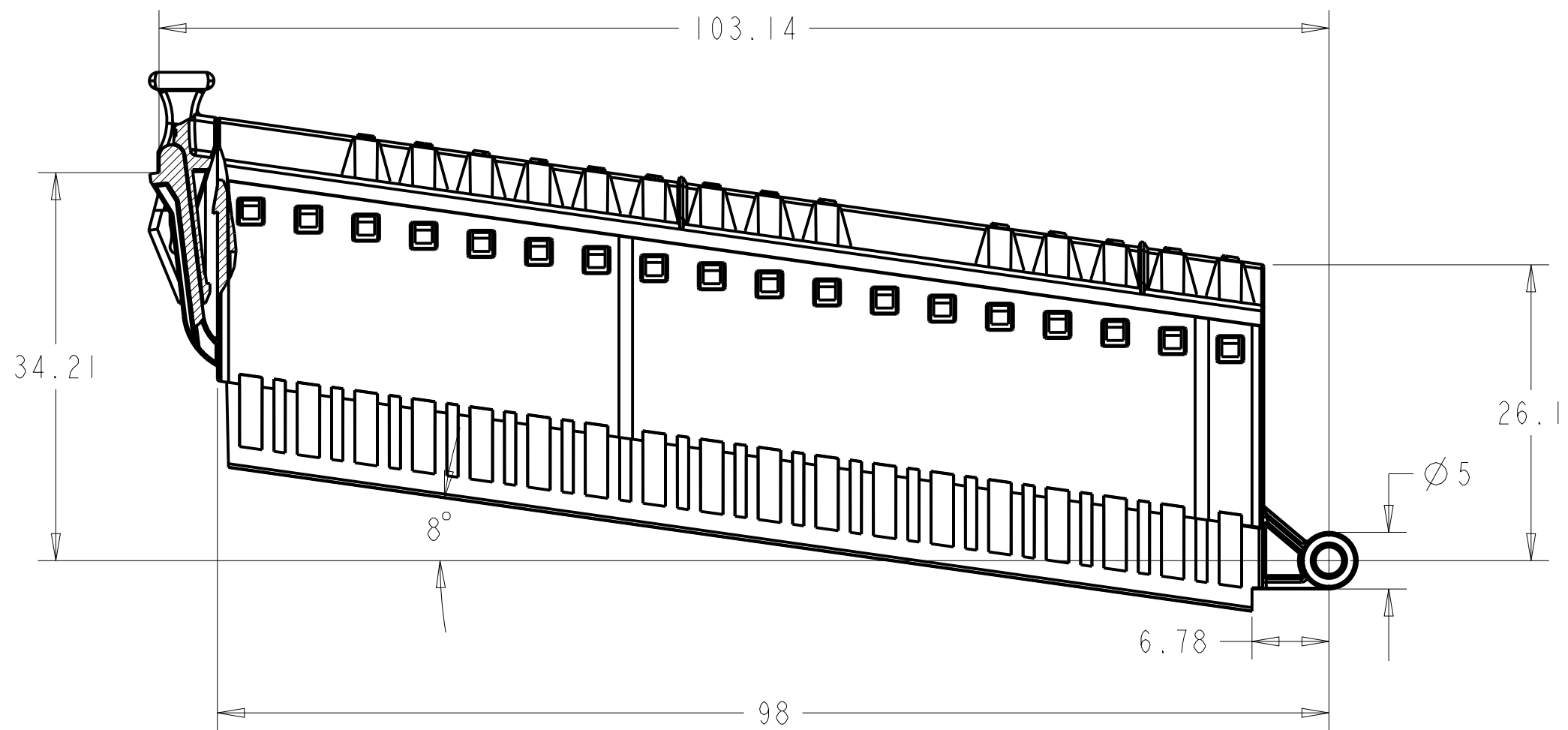


1 2 3 4 5 6 7 8

A
B
C
D
E
F
G
H



**Rockwell
Automation**

5069, 14 POS, RTB, 5.08MM, CJC

Drawn by: SREDDY2

Date: JUN-25-2015

CONFIDENTIAL AND PROPRIETARY INFORMATION.
THIS DOCUMENT CONTAINS CONFIDENTIAL AND PROPRIETARY
INFORMATION OF ROCKWELL AUTOMATION, INC. AND MAY
NOT BE USED, COPIED OR DISCLOSED TO OTHERS, EXCEPT
WITH THE AUTHORIZED WRITTEN PERMISSION OF ROCKWELL
AUTOMATION, INC.

Sheet 1 Of 1

Size		Ver
B	10001749446	00