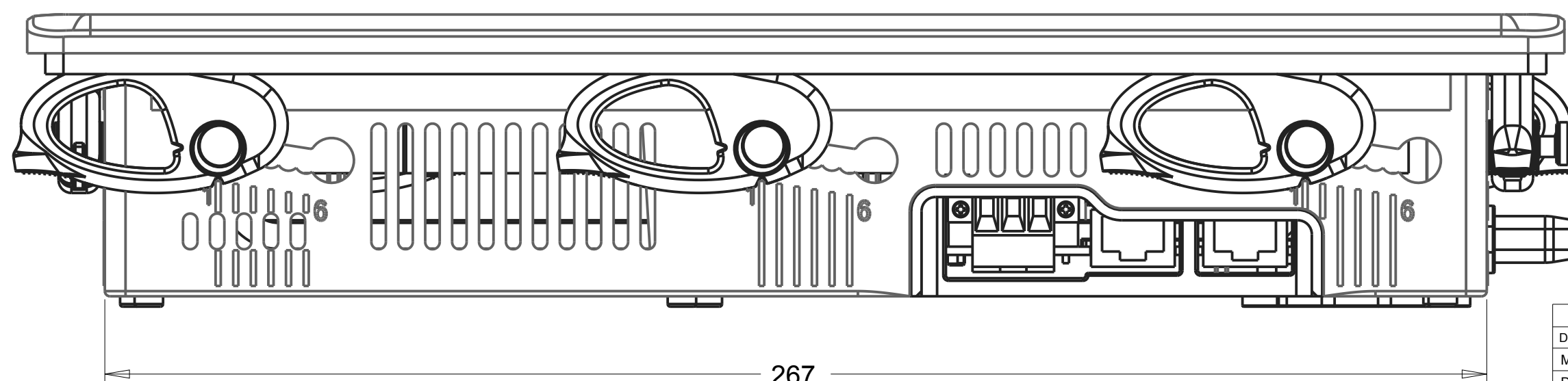


SCALE 1.000



Rockwell Automation CONFIDENTIAL - Preliminary Drawing		Date: 27August2014
DR: WSB	ORIG: 27August2014	SCALE: 1.000
MODEL: 10_ASSY_131029	SHEET: 1 OF 1	
DWG: 10_ASSY_131029_STRIPPED	10.4INCH Bezel ROCKWELL	