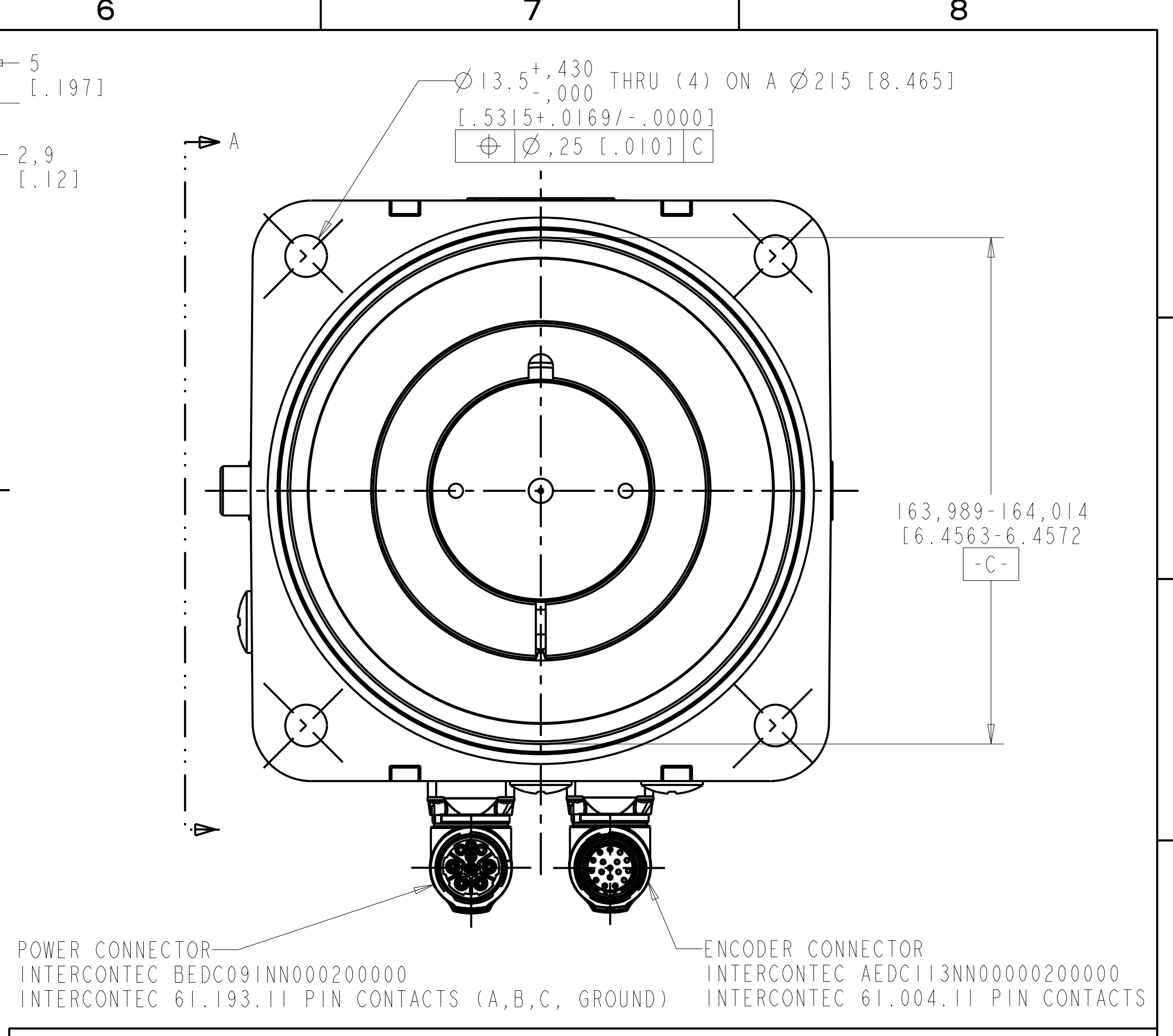
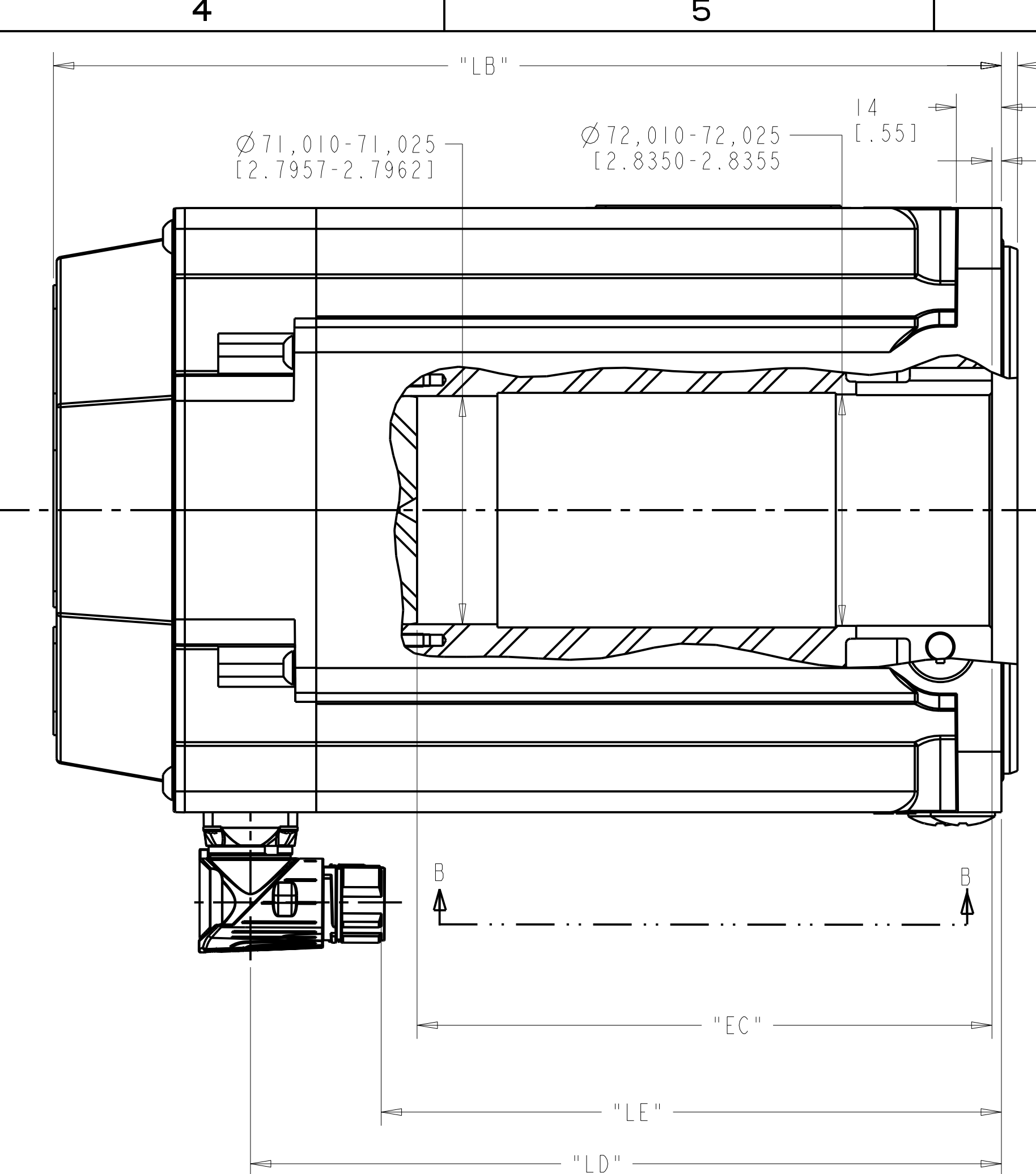
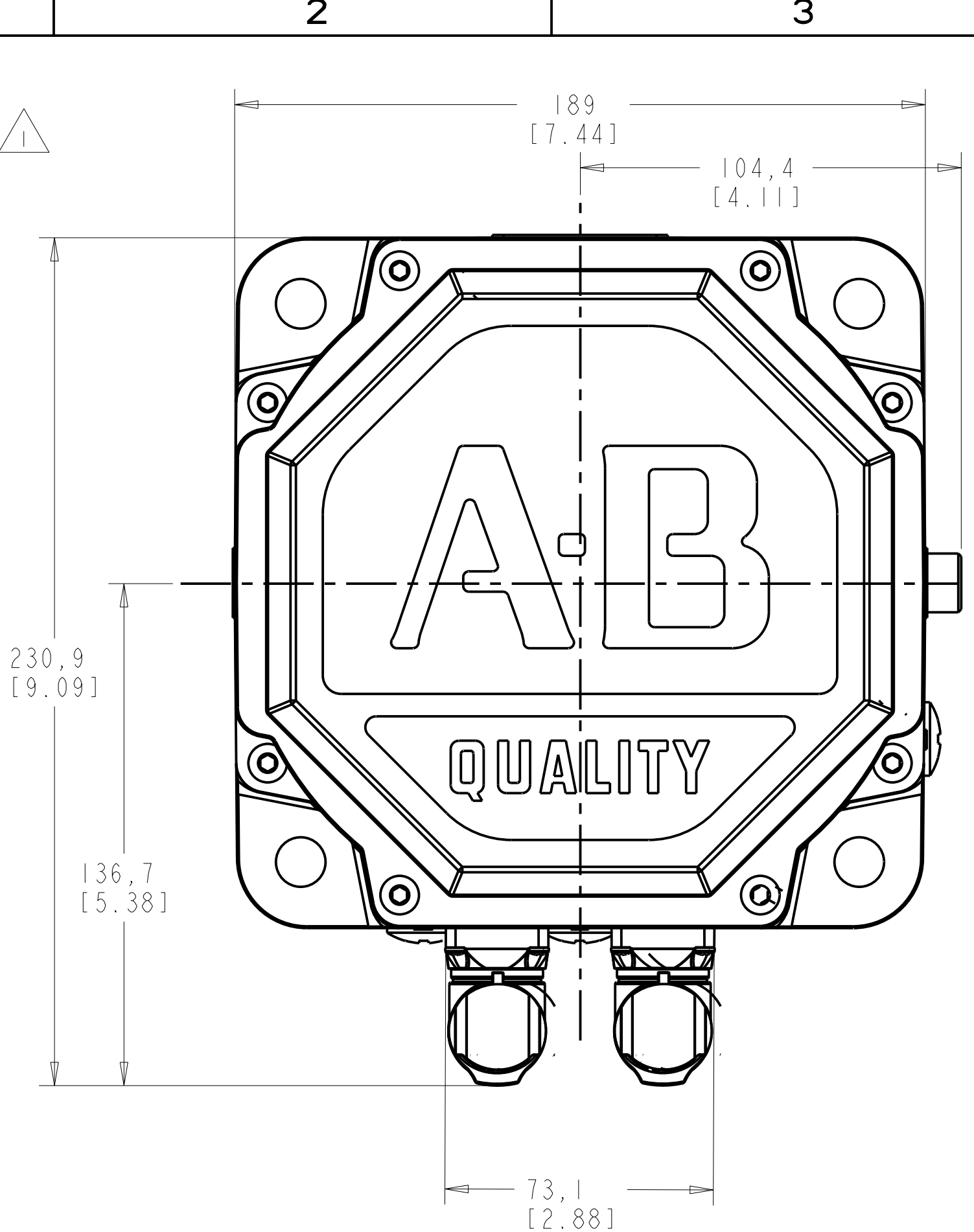
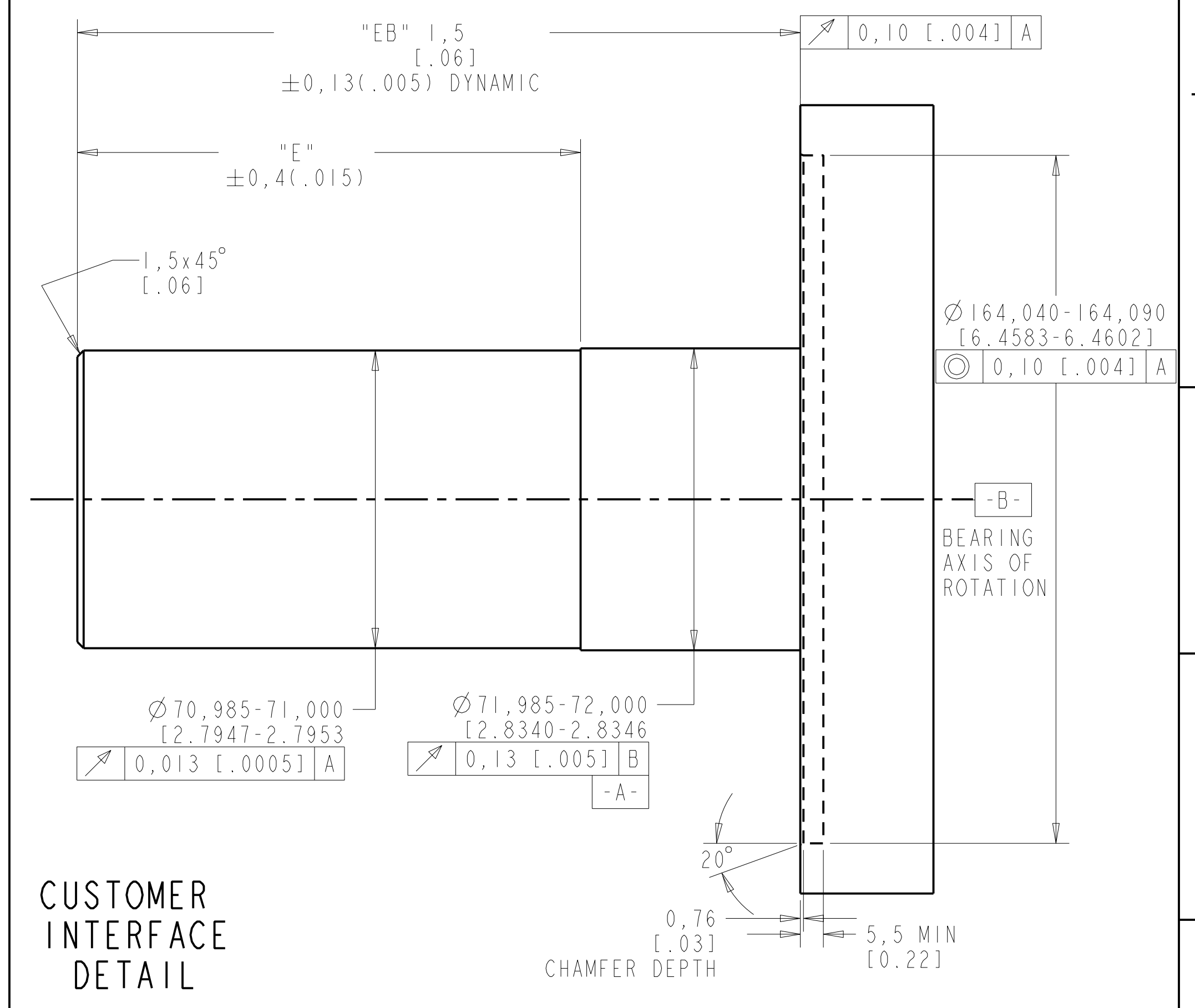
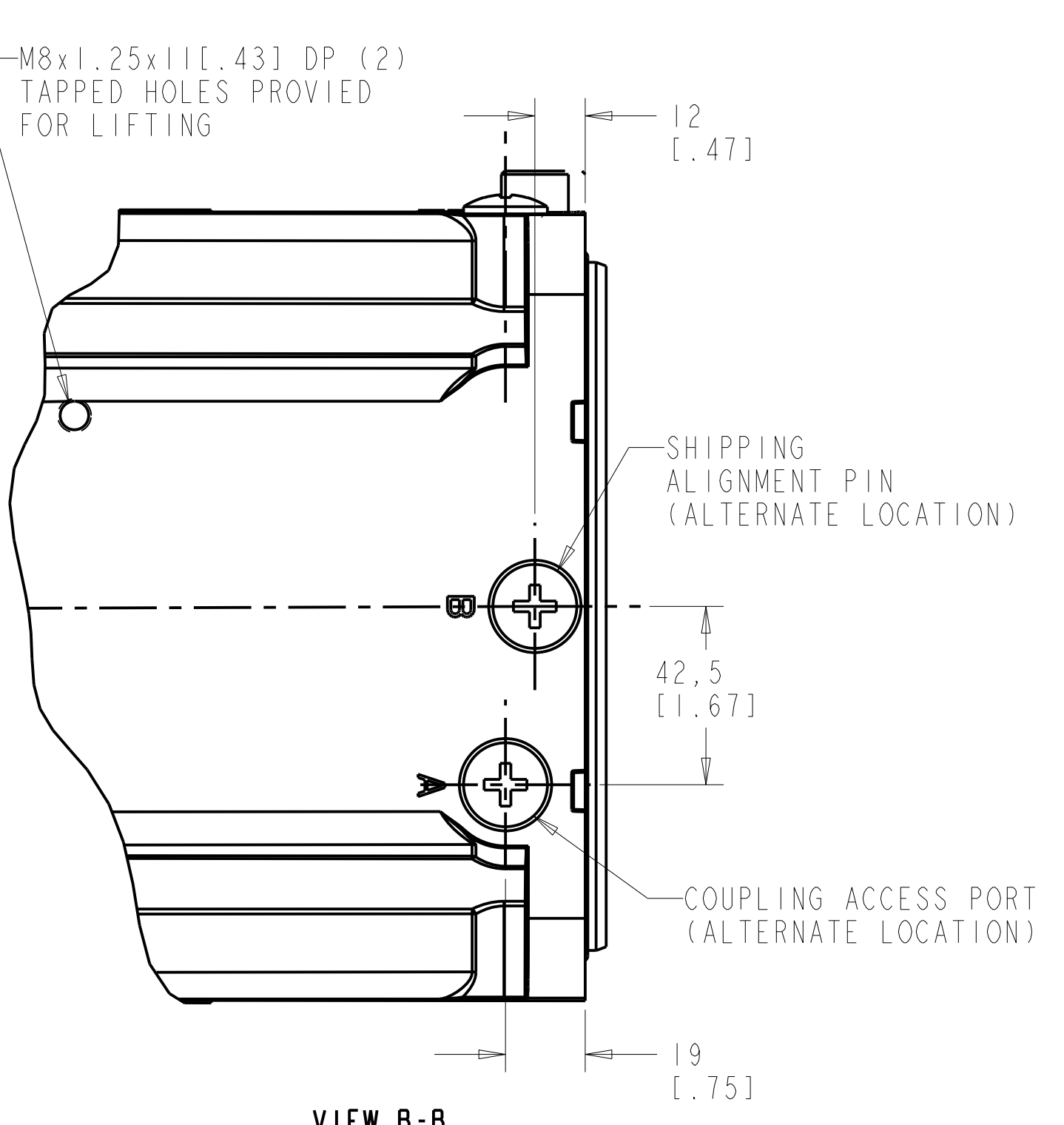
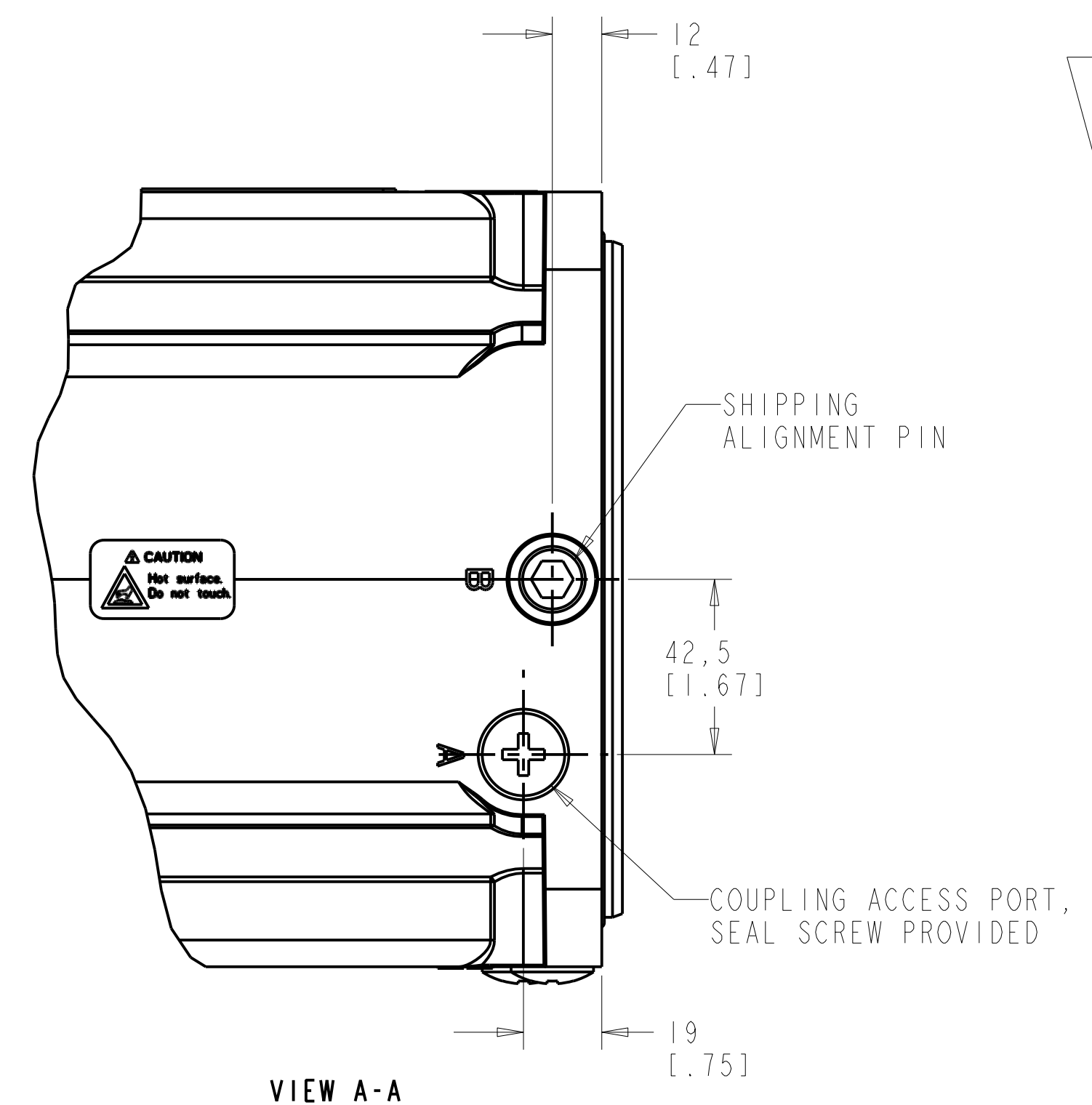


MOTOR			
MODEL	RDB-B2151	RDB-B2152	RDB-B2153
DIM "LB"	226,05 [8.90]	260,05 [10.24]	294,05 [11.58]
DIM "LD"	165,70 [6.524]	199,70 [7.862]	233,70 [9.201]
DIM "LE"	124,44 [4.899]	158,42 [6.237]	192,43 [7.576]

SHAFT			
MODEL	RDB-B2151	RDB-B2152	RDB-B2153
DIM "E"	49 [1.93]	83 [3.27]	117,1 [4.61]
DIM "EB"	104 [4.09]	138 [5.43]	172 [6.77]
DIM "EC"	110,92 [4.367]	144,93 [5.706]	178,92 [7.044]



PIN-OUT POWER CONNECTOR		PIN-OUT ENCODER CONNECTOR	
PIN	FUNCTION	PIN	FUNCTION
A	U	1	SIN +
B	V	2	SIN -
C	W	3	COS +
⊕	GND	4	COS -
E	-	5	DATA +
F	-	6	DATA -
G	-	7	CLK+
H	-	8	CLK-
L	-	9	EPWR 5V
		10	ECOM
		11-12	-
		13	TS +
		14	TS -
		15-17	-



NOTES:  
 1. DXF FILE OF THIS DRAWING MUST BE SCALED TO LENGTH, SEE CHART ABOVE. MODEL SHOWN IS "RDB-B2153x-xB72AA".  
 2. 3D STEP (.stp) FILES AVAILABLE FOR ALL MODELS.