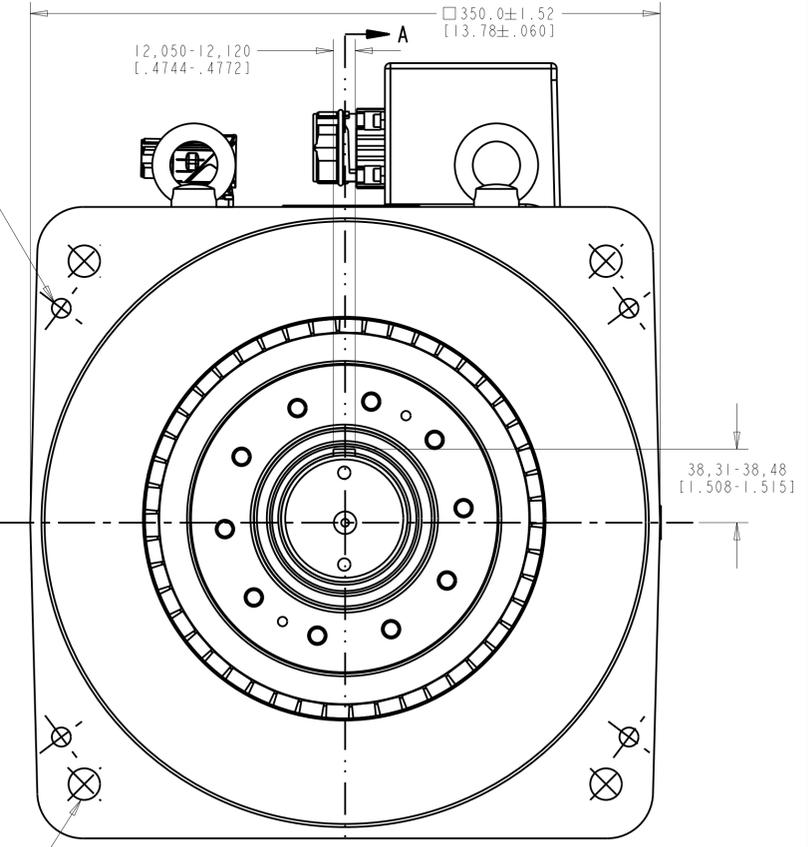
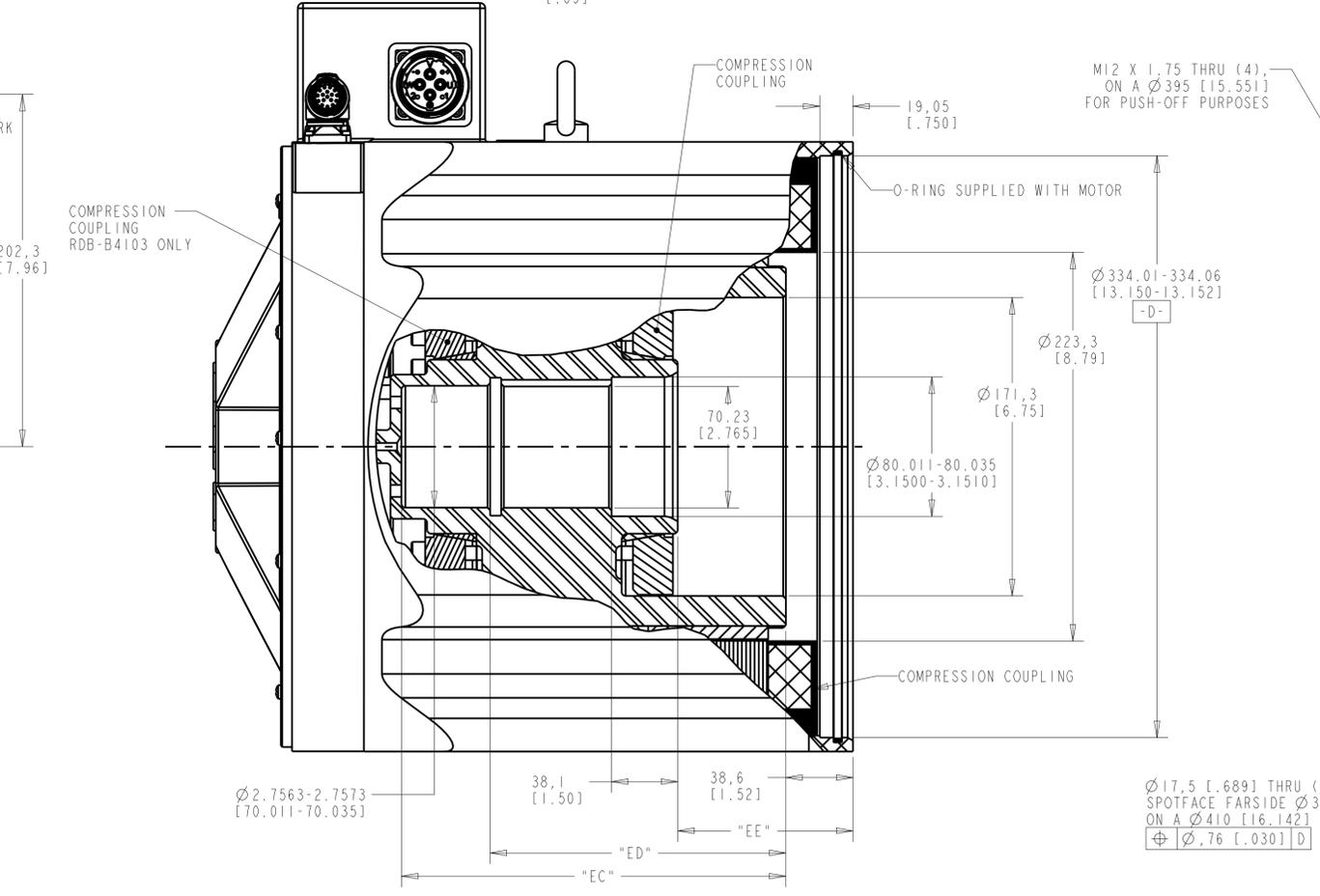
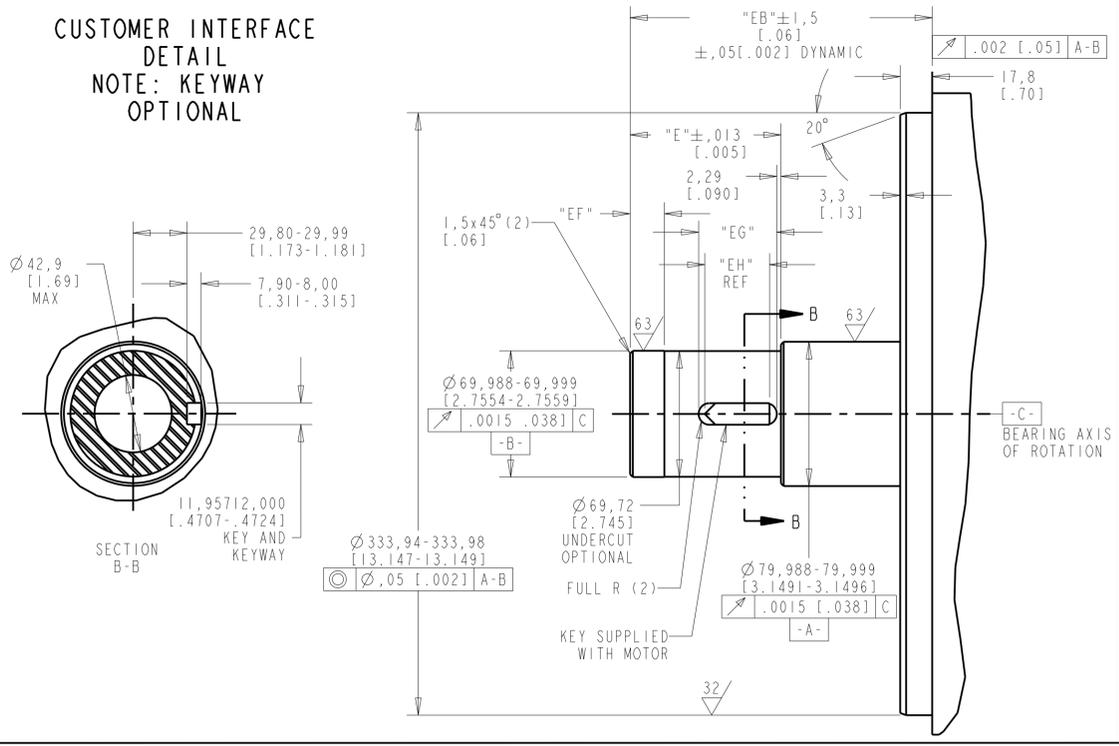
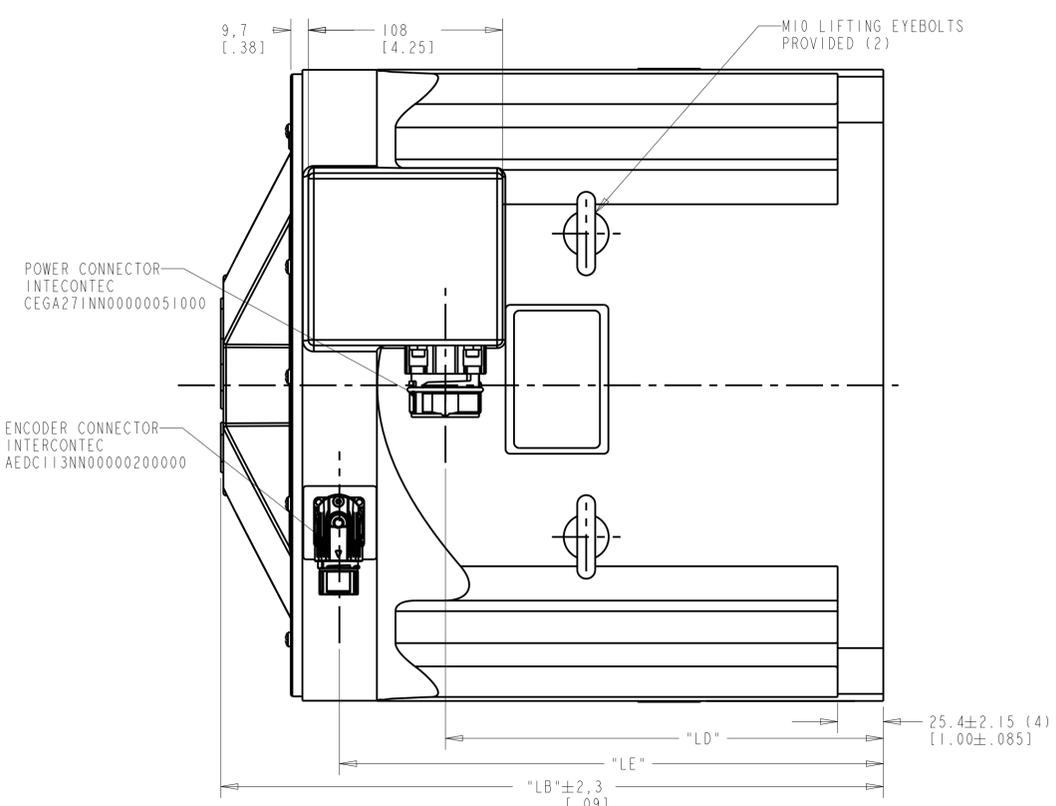
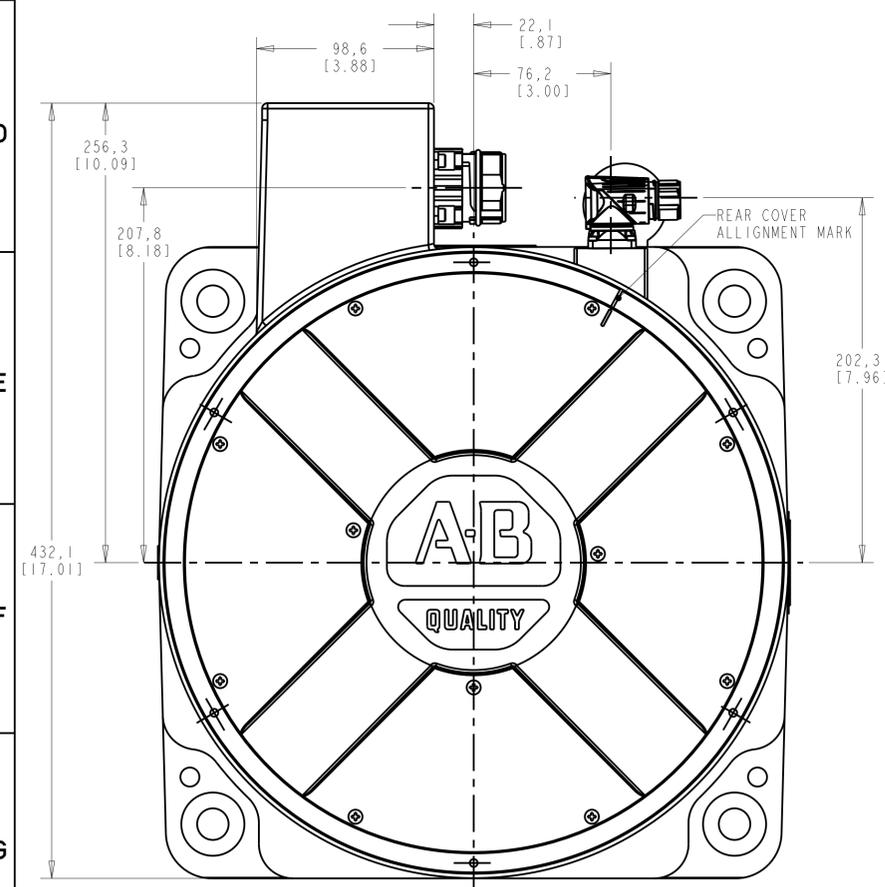


MOTOR			
MODEL	RDB-B4101	RDB-B4102	RDB-B4103
DIM "LB"	229.9 [9.05]	299.5 [11.77]	368.1 [14.49]
DIM "LD"	105.16 [4.140]	174.24 [6.860]	243.33 [9.580]
DIM "LE"	164.08 [6.460]	233.17 [9.180]	302.26 [11.90]

SHAFT			
MODEL	RDB-B4101	RDB-B4102	RDB-B4103
DIM "E"	40.39 [1.590]	83.82 [3.300]	118.62 [4.670]
DIM "EB"	114.05 [4.490]	167.89 [6.610]	253.49 [9.980]
DIM "EC"	79.8 [3.14]	135.6 [5.34]	221.2 [8.71]
DIM "ED"	67.3 [2.65]	100.1 [3.94]	170.2 [6.70]
DIM "EE"	38.6 [1.52]	49.8 [1.96]	100.8 [3.97]
DIM "EF"	9.4 [.37]	19.1 [.75]	40.6 [1.60]
DIM "EG"	27.4 [1.08]	43.4 [1.71]	57.4 [2.26]
DIM "EH"	19.99 [.787]	35.99 [1.417]	253.49 [9.980]

PIN-OUT POWER CONNECTOR		PIN-OUT ENCODER CONNECTOR	
PIN	FUNCTION	PIN	FUNCTION
U	U	1	SIN +
V	V	2	SIN -
W	W	3	COS +
⊕	GND	4	COS -
+	-	5	DATA +
-	-	6	DATA -
1	-	7	CLK+
2	-	8	CLK-
		9	EPWR 9V
		10	ECOM
		11-12	-
		13	TS +
		14	TS -
		15-17	-



NOTES:  
 1. DXF FILE OF THIS DRAWING MUST BE SCALED TO LENGTH, SEE CHART ABOVE. MODEL SHOWN IS "RDB-B41035-xB72AA".  
 2. 3D STEP (.stp) FILES AVAILABLE FOR ALL MODELS.

	UNLESS OTHERWISE SPECIFIED DO NOT SCALE DRAWING DIMENSIONS ARE IN MILLIMETERS WITH INCHES REFERENCED (X) UNTOLERANCED DIMENSIONS ARE REFERENCED TO 3RD ANGLE PROJECTION	<b>Rockwell Automation</b> RDB-B410xx-xB72AA, ESM	CONFIDENTIAL AND PROPRIETARY INFORMATION THIS DOCUMENT CONTAINS CONFIDENTIAL AND PROPRIETARY INFORMATION OF ROCKWELL AUTOMATION, INC. AND MAY NOT BE USED, COPIED OR DISCLOSED TO OTHERS, EXCEPT WITH THE AUTHORIZED WRITTEN PERMISSION OF ROCKWELL AUTOMATION, INC.	
	Drawn by: Scott Johnson Date: 05-07-09		Sheet 1 of 1	Size <b>D</b>