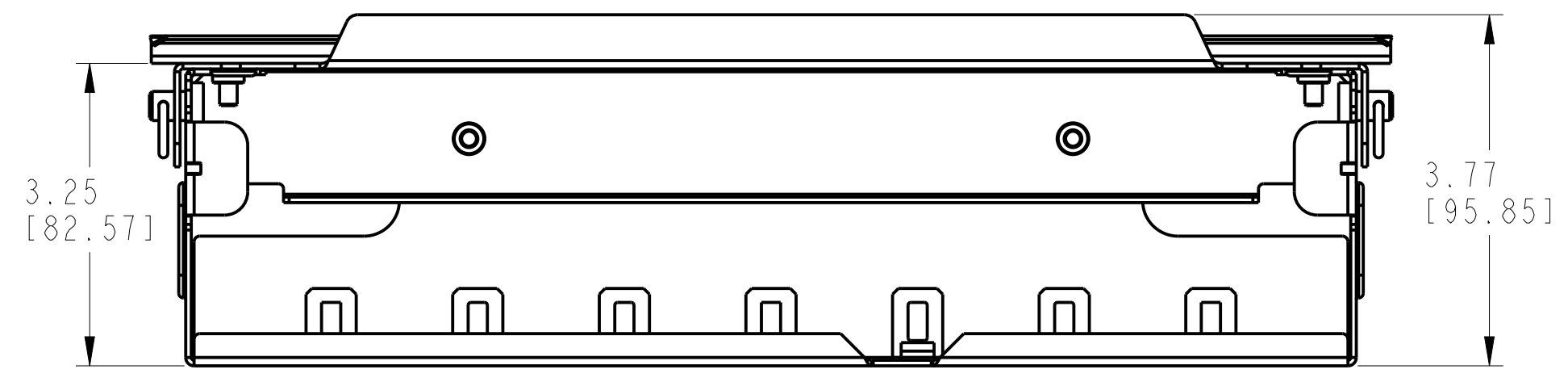
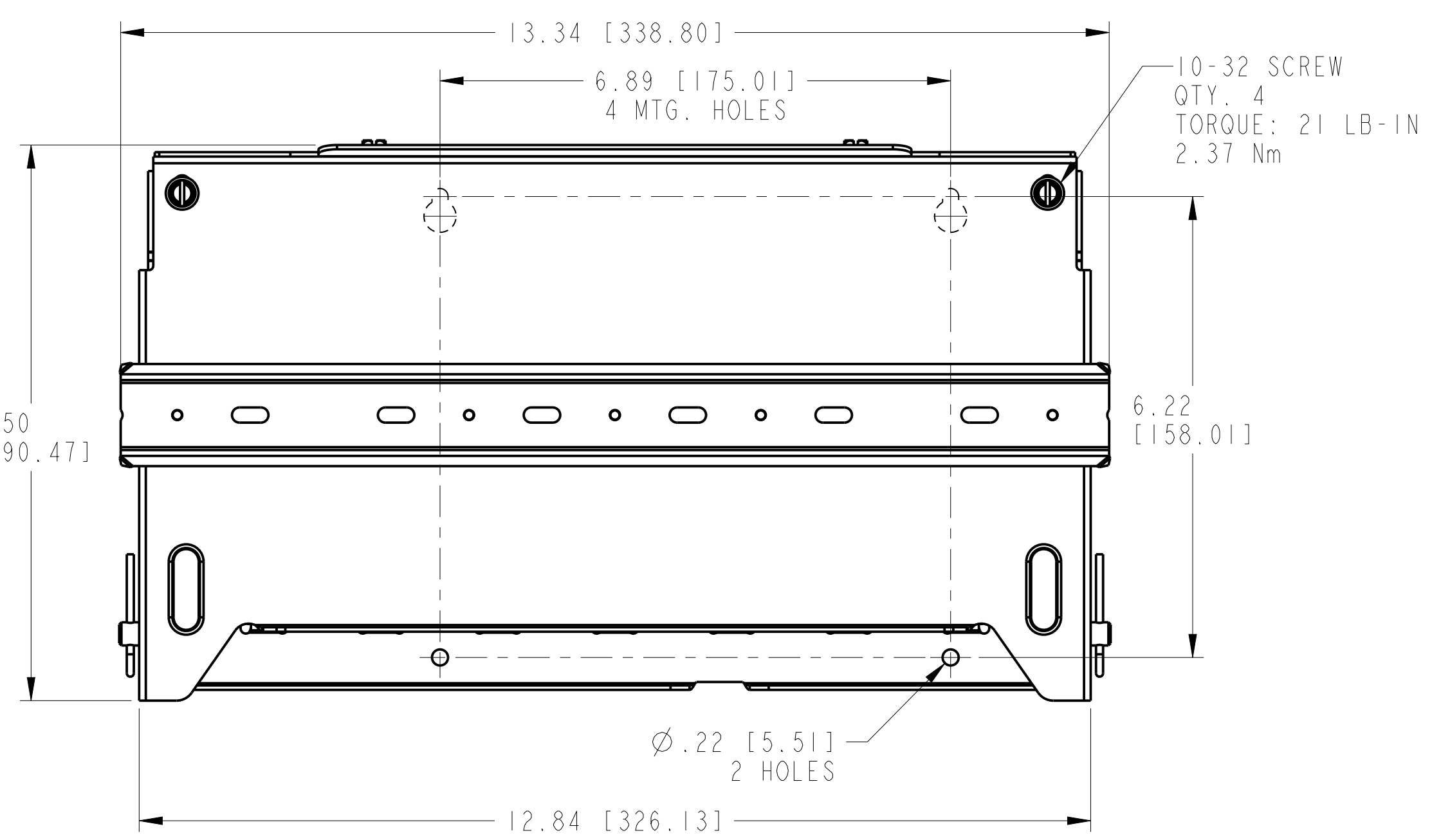
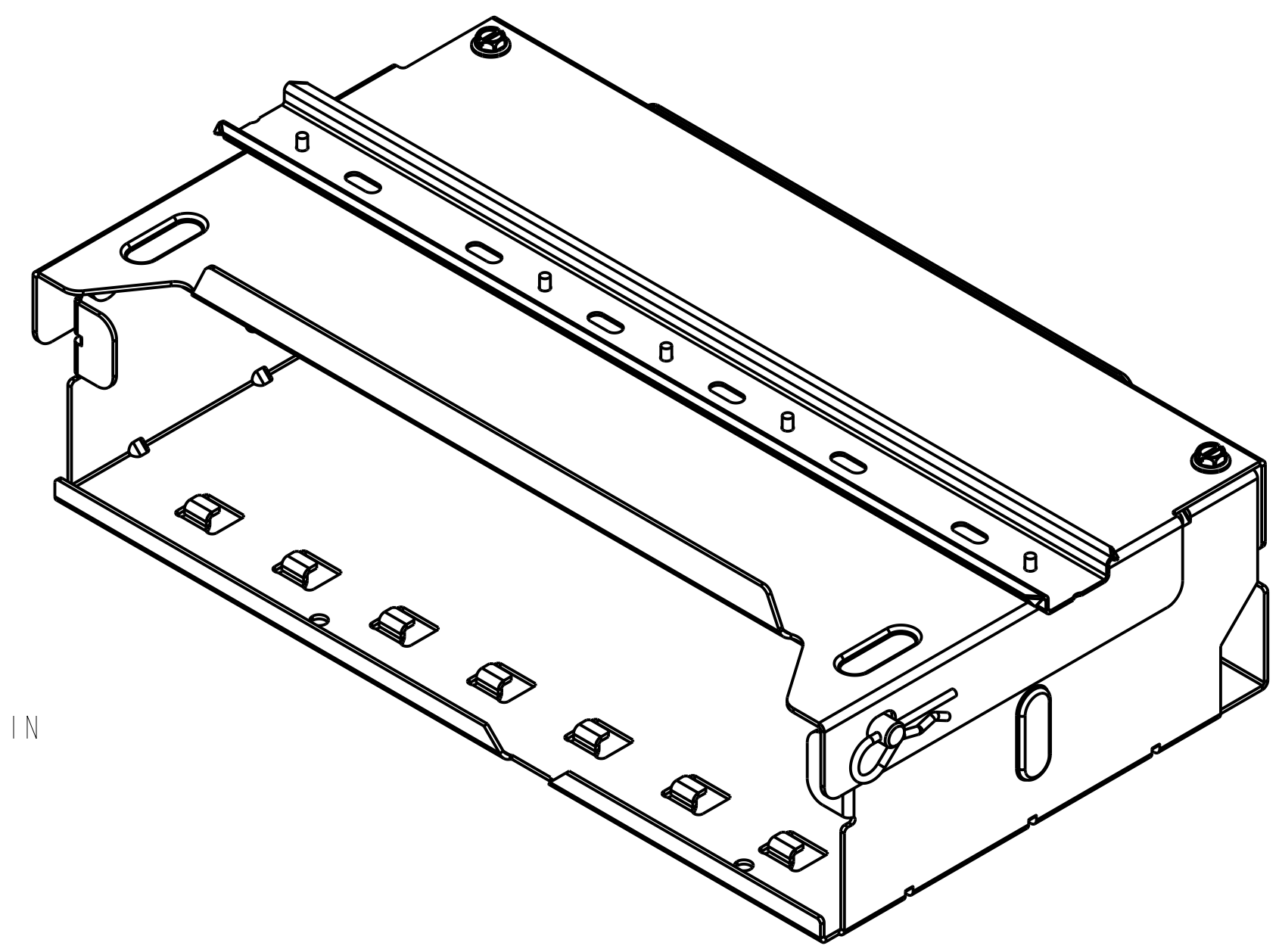



1 2 3 4 5 6 7 8

A
B
C
D
E
F
G
H

A
B
C
D
E
F
G
H



		CONFIDENTIAL AND PROPRIETARY INFORMATION. THIS DOCUMENT CONTAINS CONFIDENTIAL AND PROPRIETARY INFORMATION OF ROCKWELL AUTOMATION, INC. AND MAY NOT BE USED, COPIED OR DISCLOSED TO OTHERS, EXCEPT WITH THE AUTHORIZED WRITTEN PERMISSION OF ROCKWELL AUTOMATION, INC.	
		DATE: 2020-02-13	SHEET 2 OF 4
DESCRIPTION	DIMENSION DRAWING FOR SLC500 CONVERSION ASSEMBLY 4, 7, 10, 13 SLOT		VER
	SIZE	DIR	VER
CREATED BY: LEQUENTIN	CHANGED BY: *****	C	10005418023 00

1 2 3 4 5 6 7 8