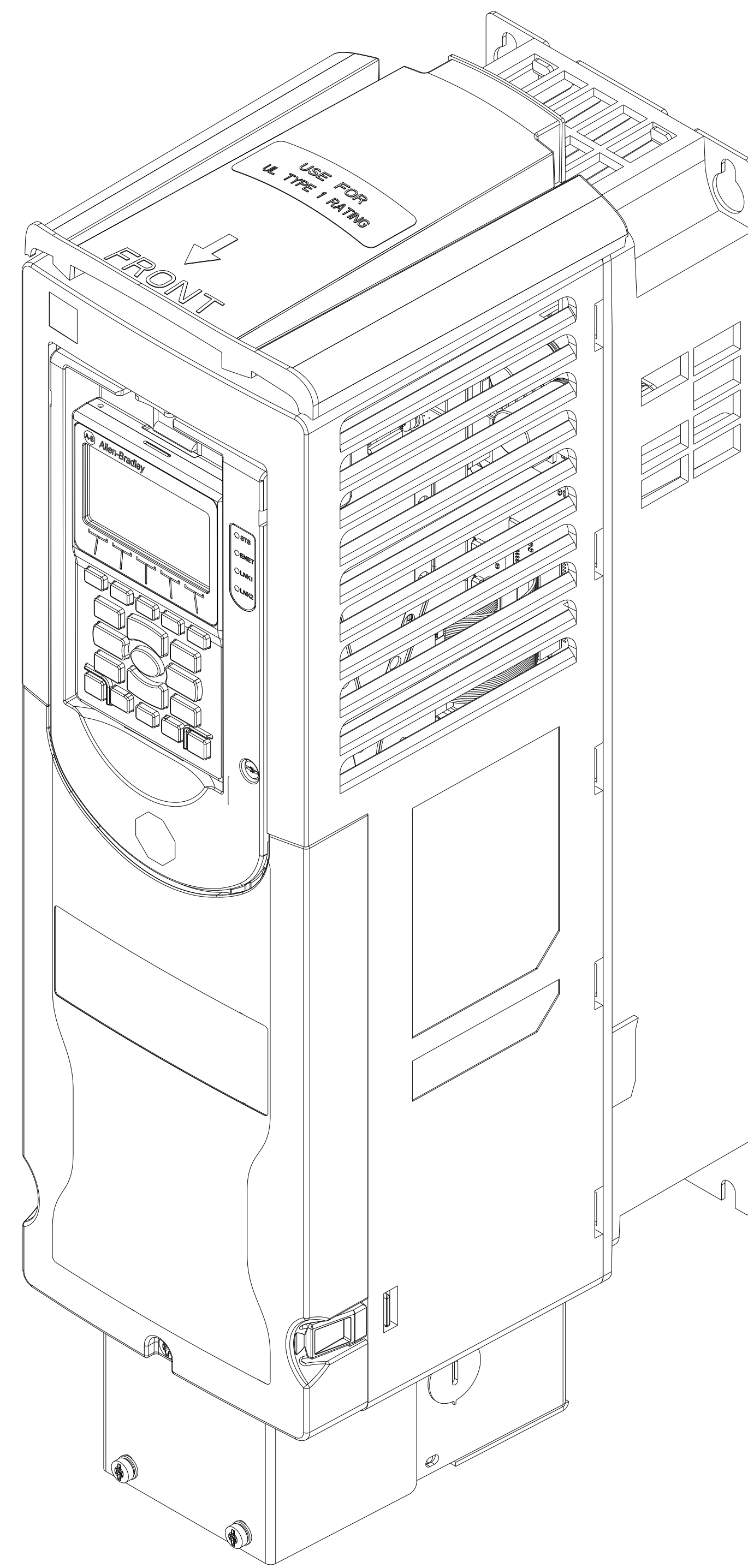
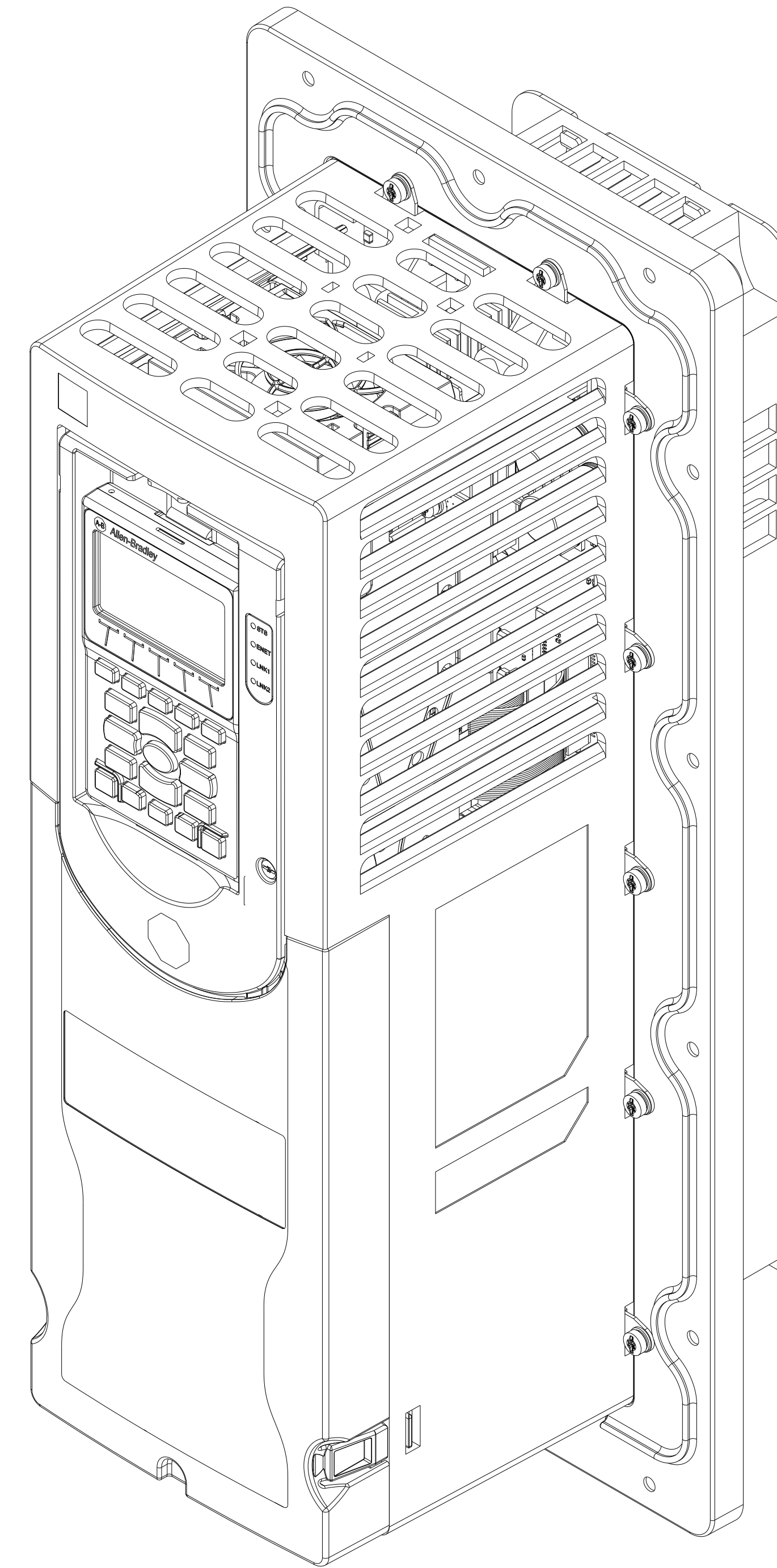


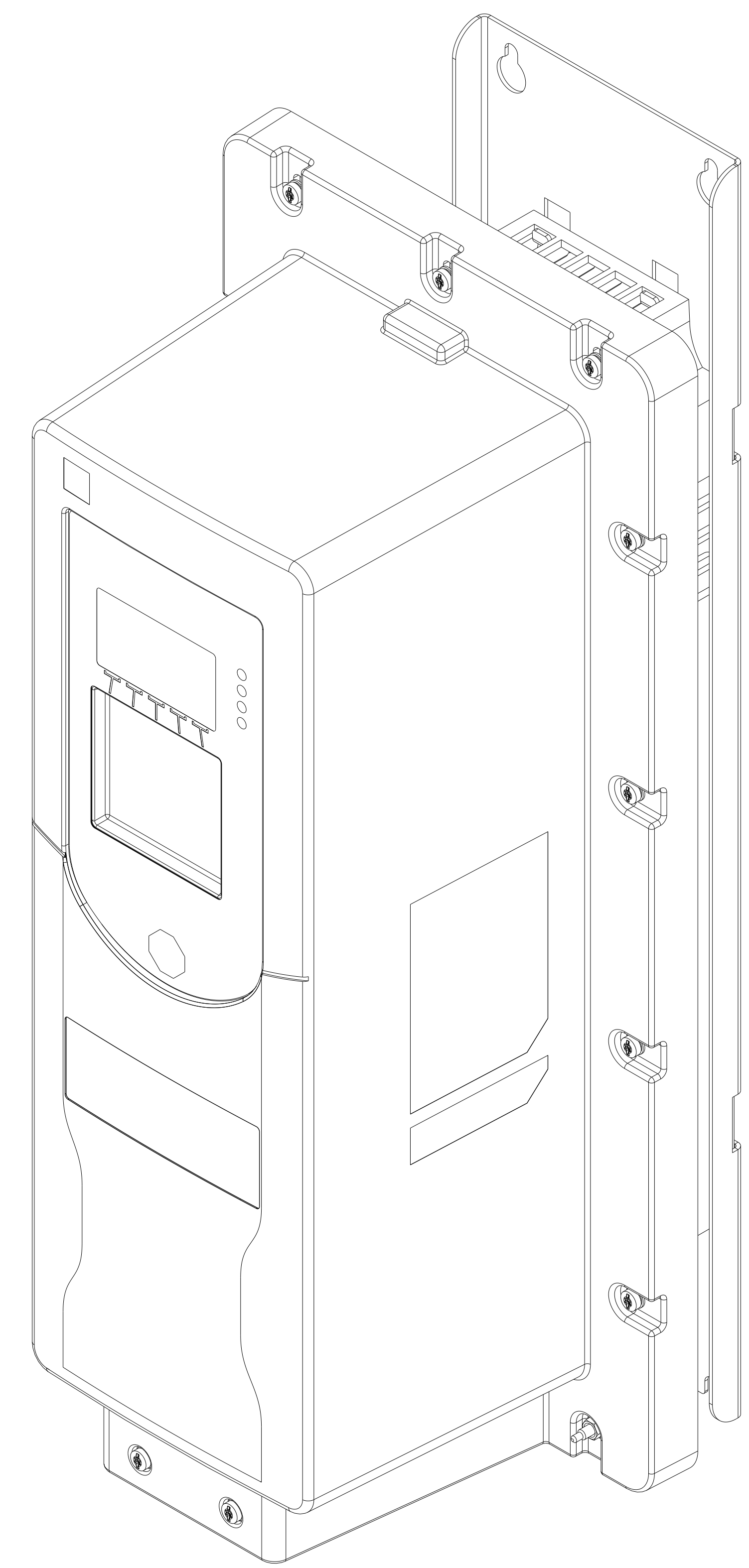
OPEN DRIVE



TYPE I DRIVE
AFTER INSTALLATION
OF THE TYPE I KIT



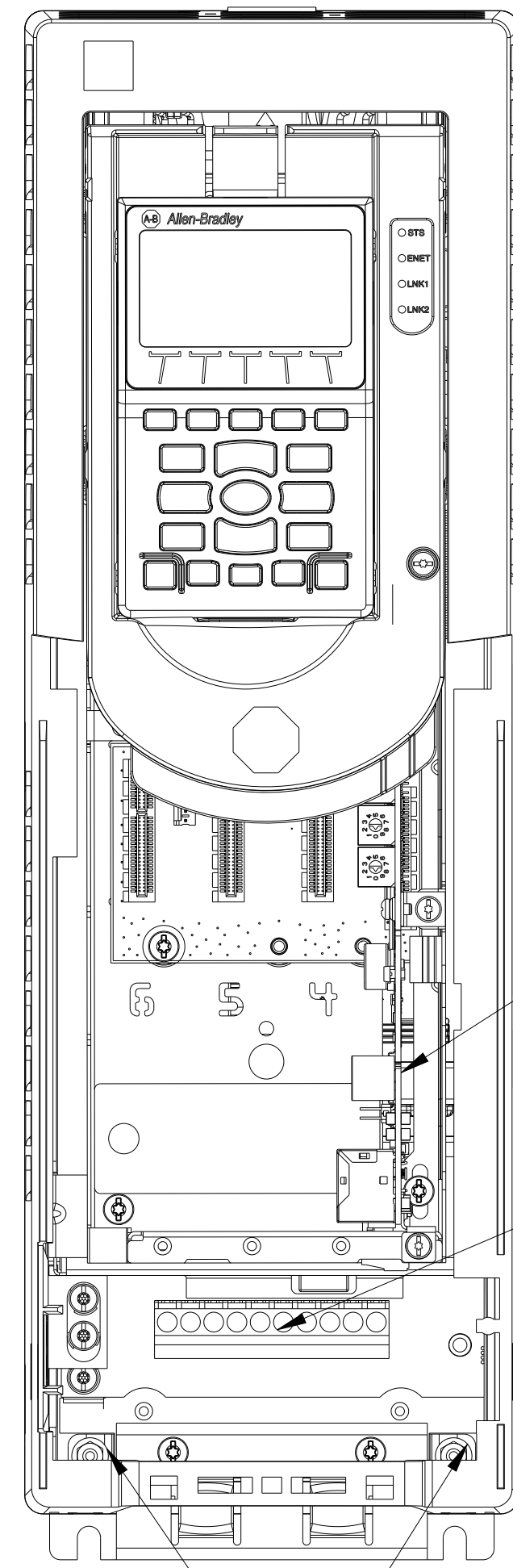
**TYPE 4X
FLANGE DRIVE**



TYPE 12 DRIVE

		<small>CONFIDENTIAL AND PROPRIETARY INFORMATION THIS DOCUMENT CONTAINS CONFIDENTIAL AND PROPRIETARY INFORMATION OF ROCKWELL AUTOMATION, INC. AND MAY NOT BE USED, COPIED OR DISCLOSED TO OTHERS, EXCEPT WITH THE AUTHORIZED WRITTEN PERMISSION OF ROCKWELL AUTOMATION, INC.</small>	
		<small>DATE: 2022-02-18</small>	<small>SHEET 1 OF 5</small>
<small>DESCRIPTION</small> STANDARD-SUBMITTAL PF755TS F-2	<small>SIZE D1R</small> D	<small>VER</small> 10005496177	<small>VER</small> 01
<small>CREATED BY: MLACHAW</small>	<small>CHANGED BY: BMACURA</small>		

OPEN DRIVE

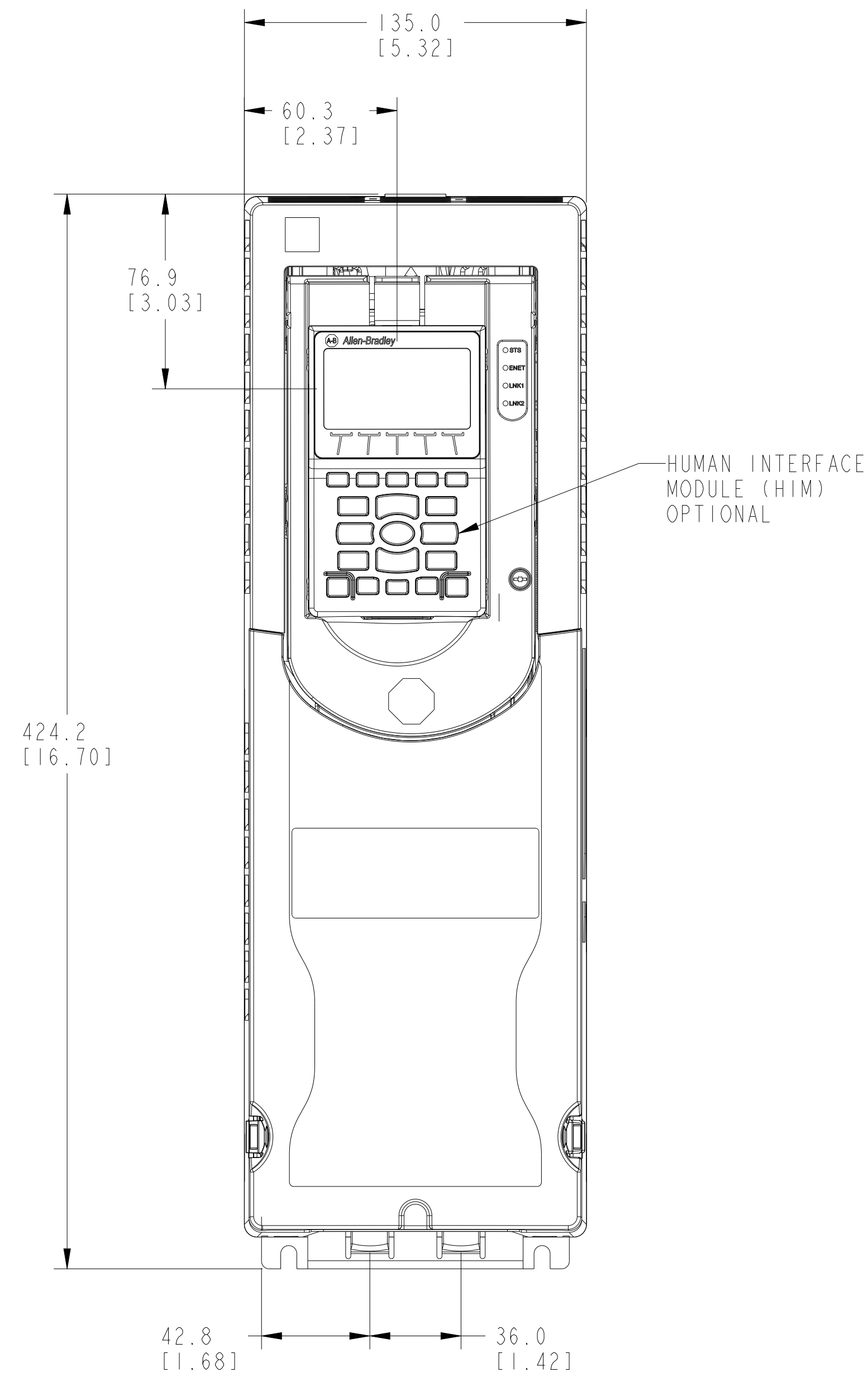


CONTROL BOARD

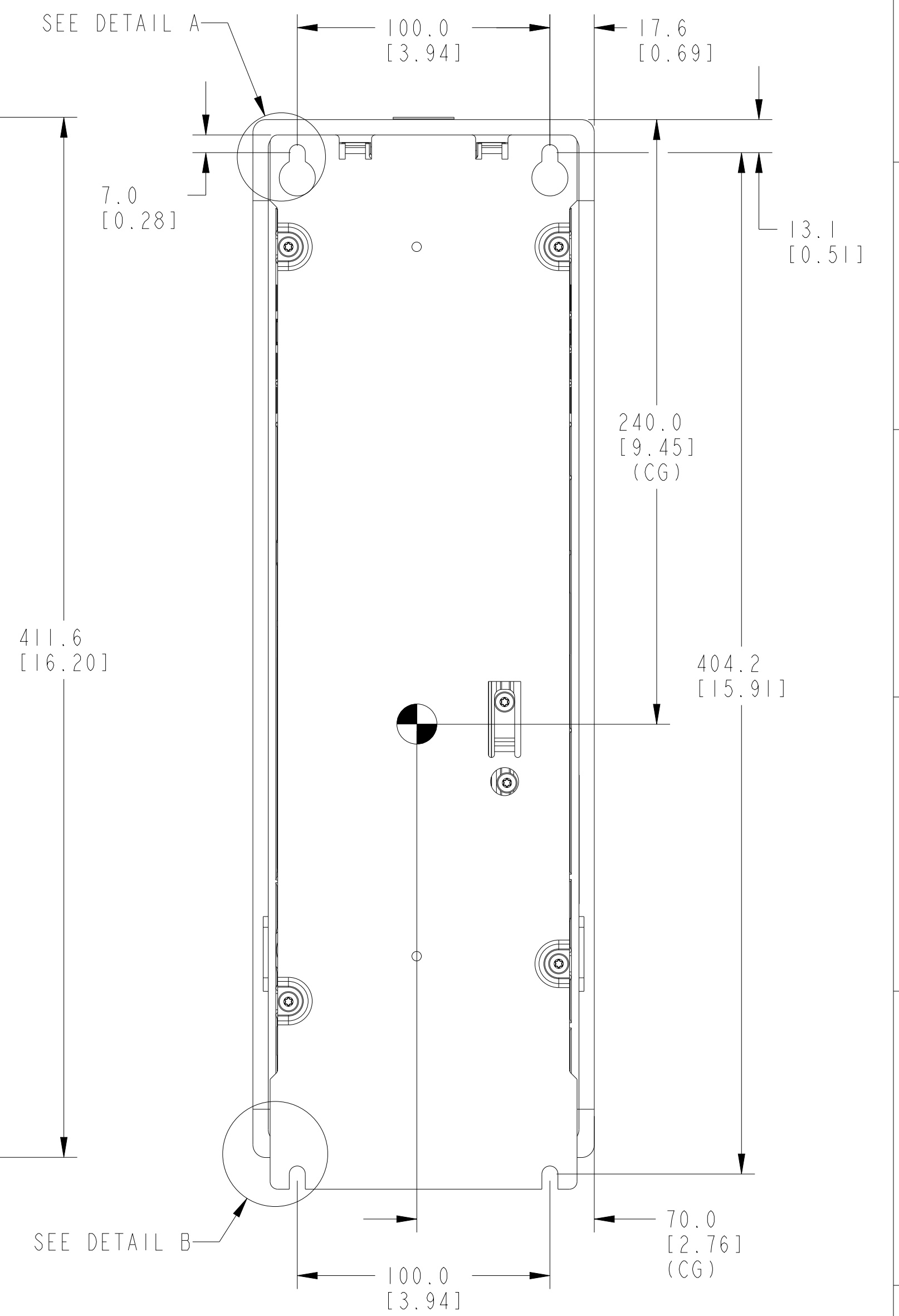
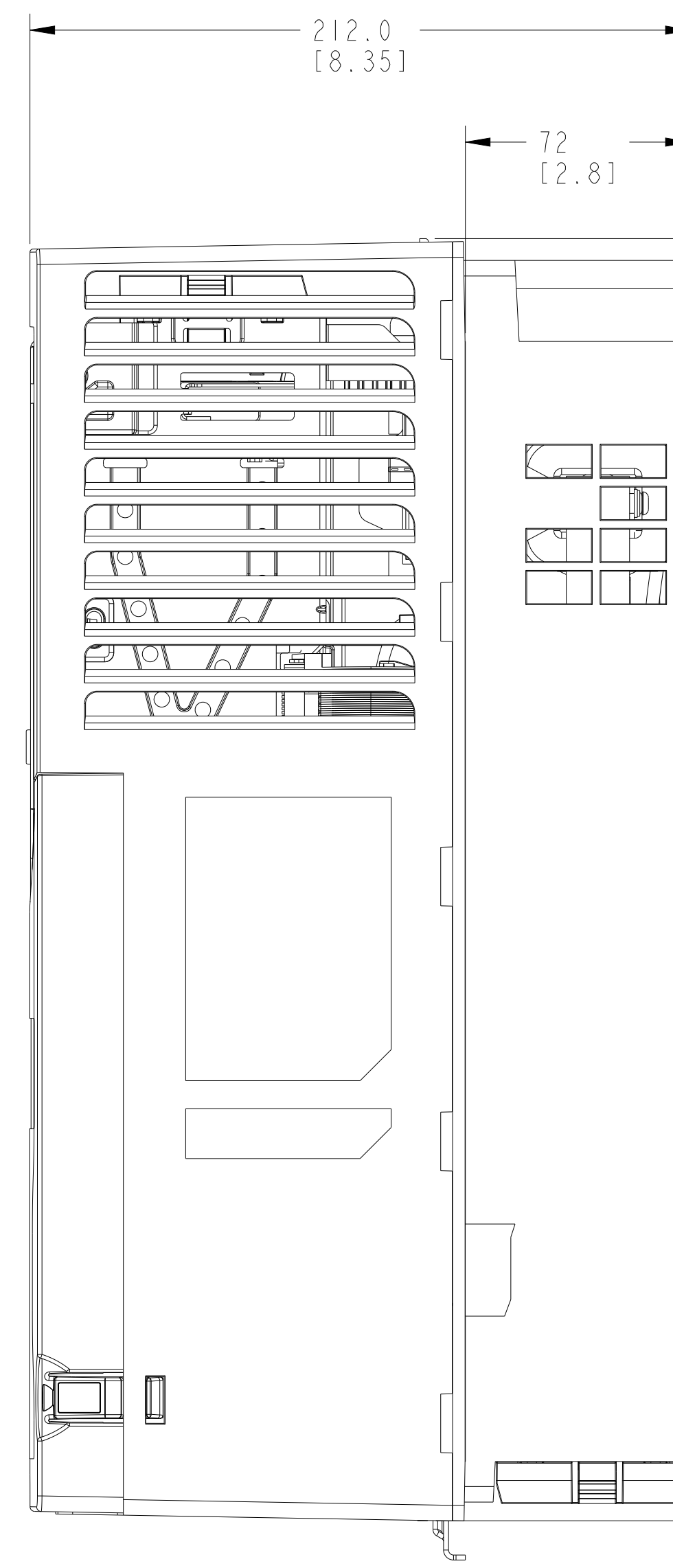
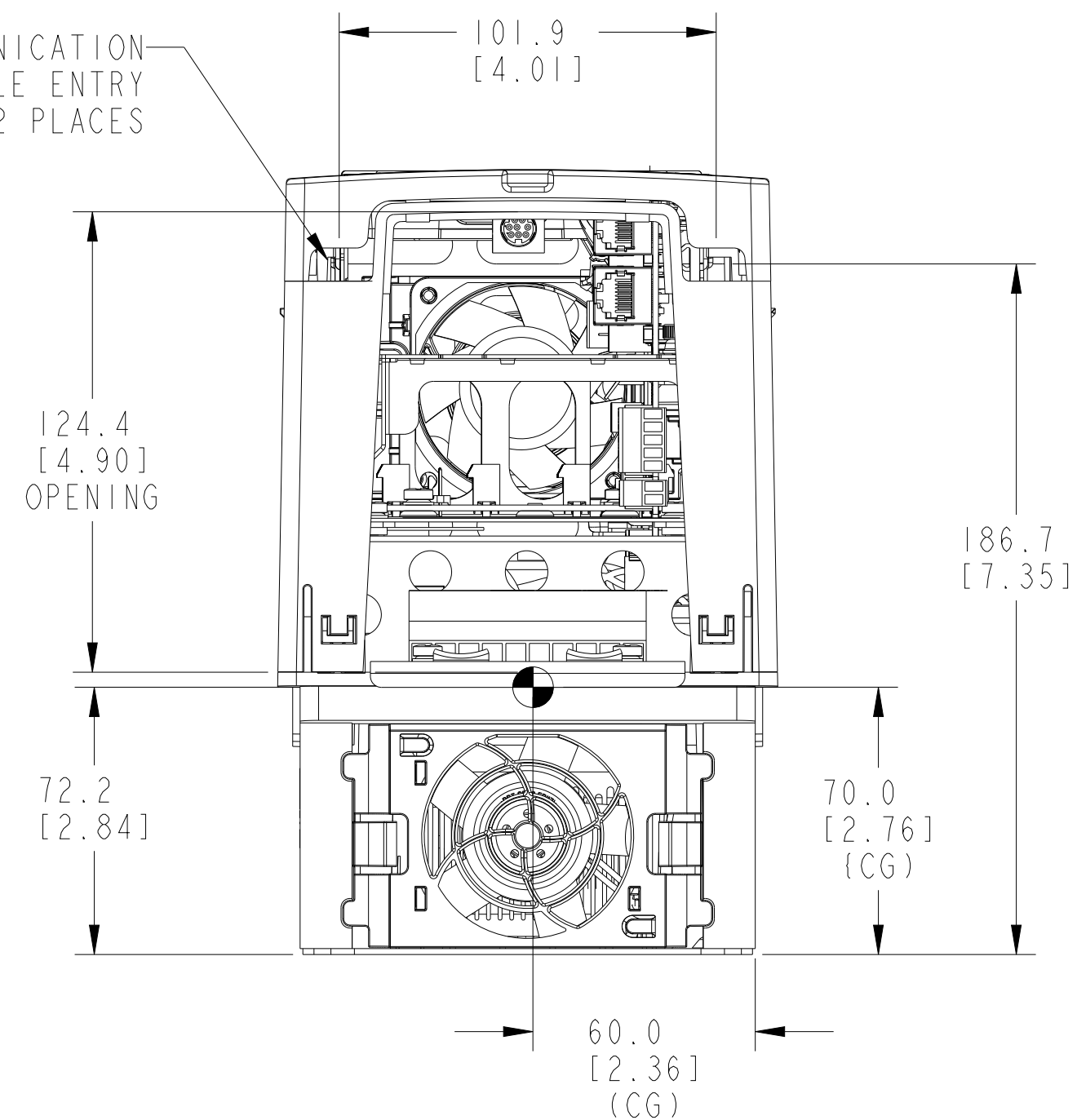
POWER TERMINAL BLOCK

GROUND CONNECTION

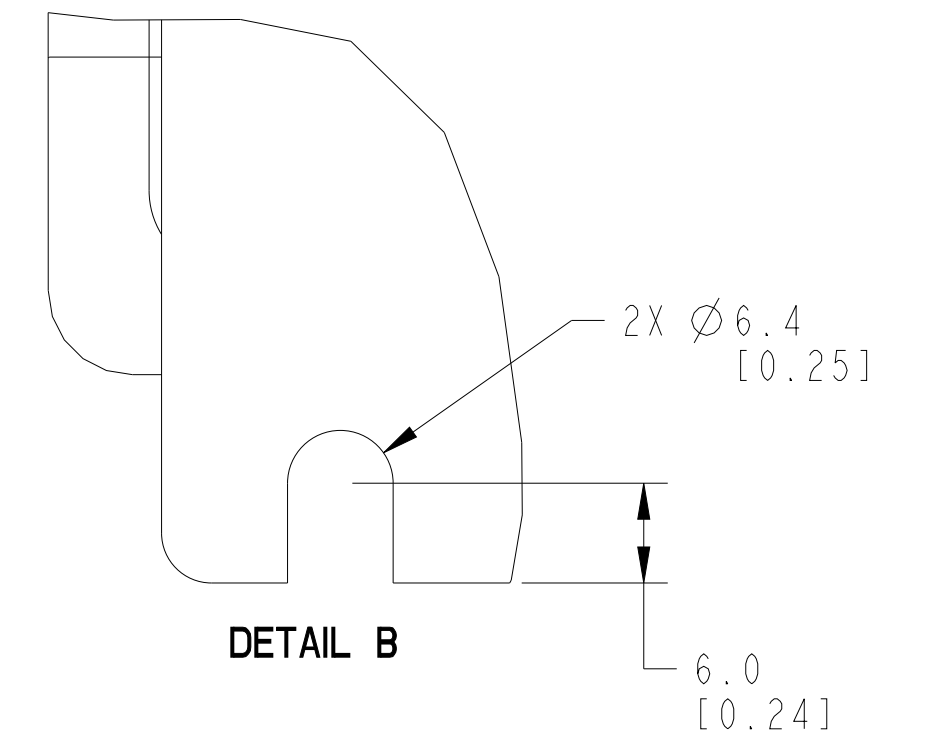
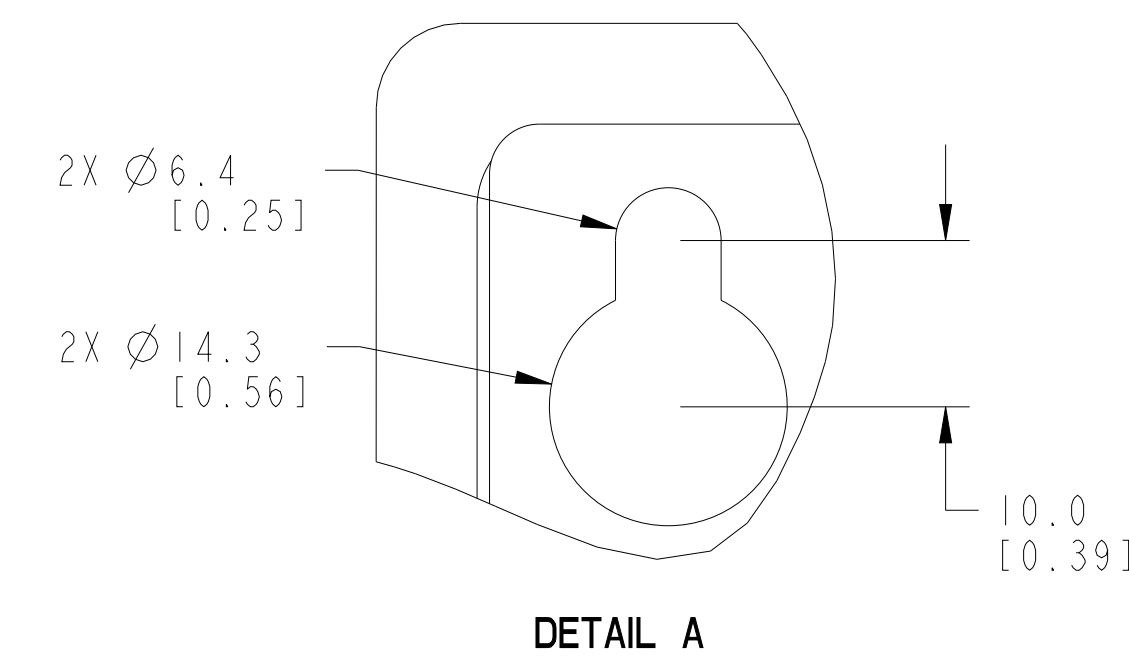
DRIVE COVER REMOVED



COMMUNICATION CABLE ENTRY 2 PLACES



MOUNTING HOLE LOCATION

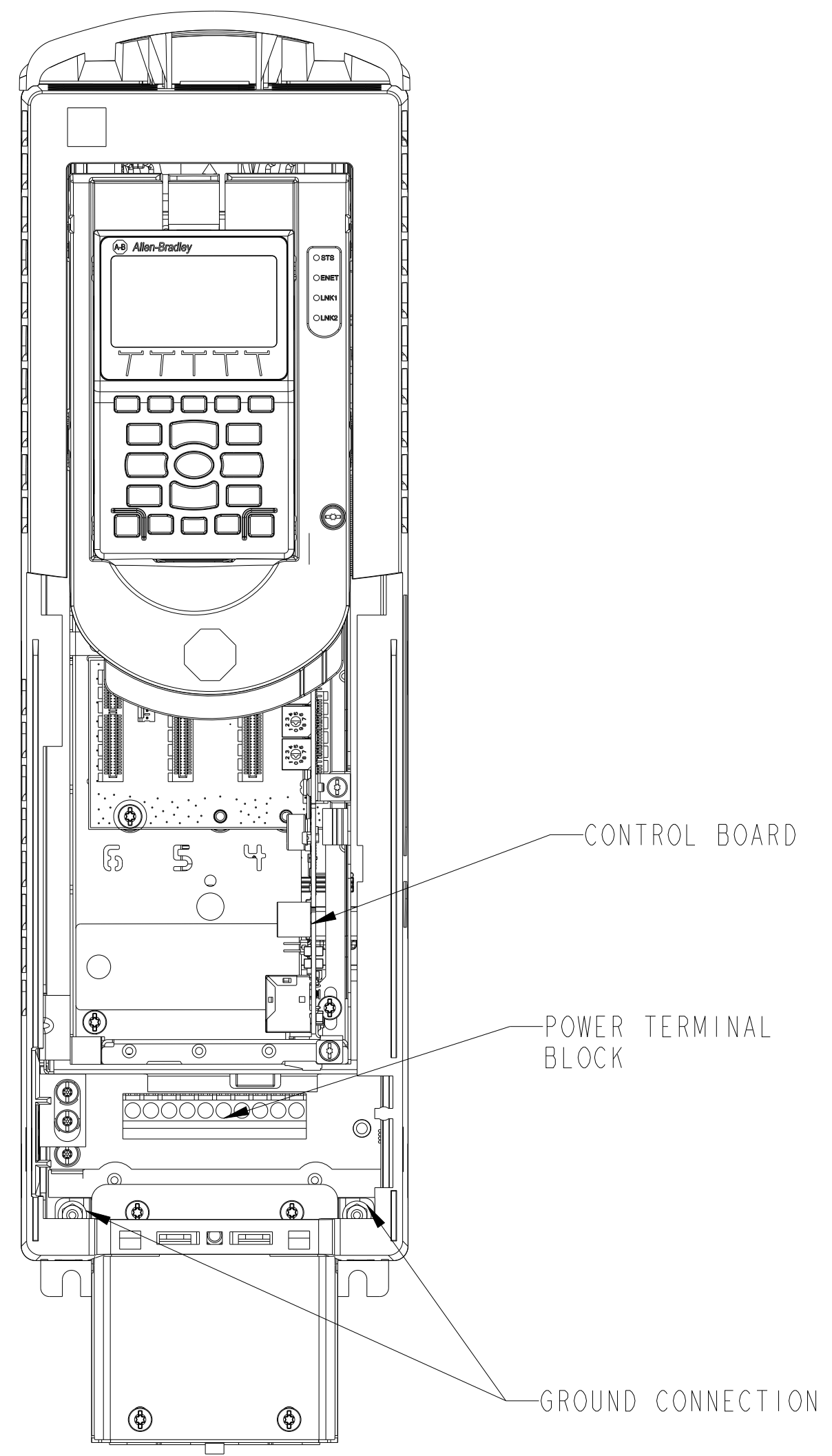


NOTES:

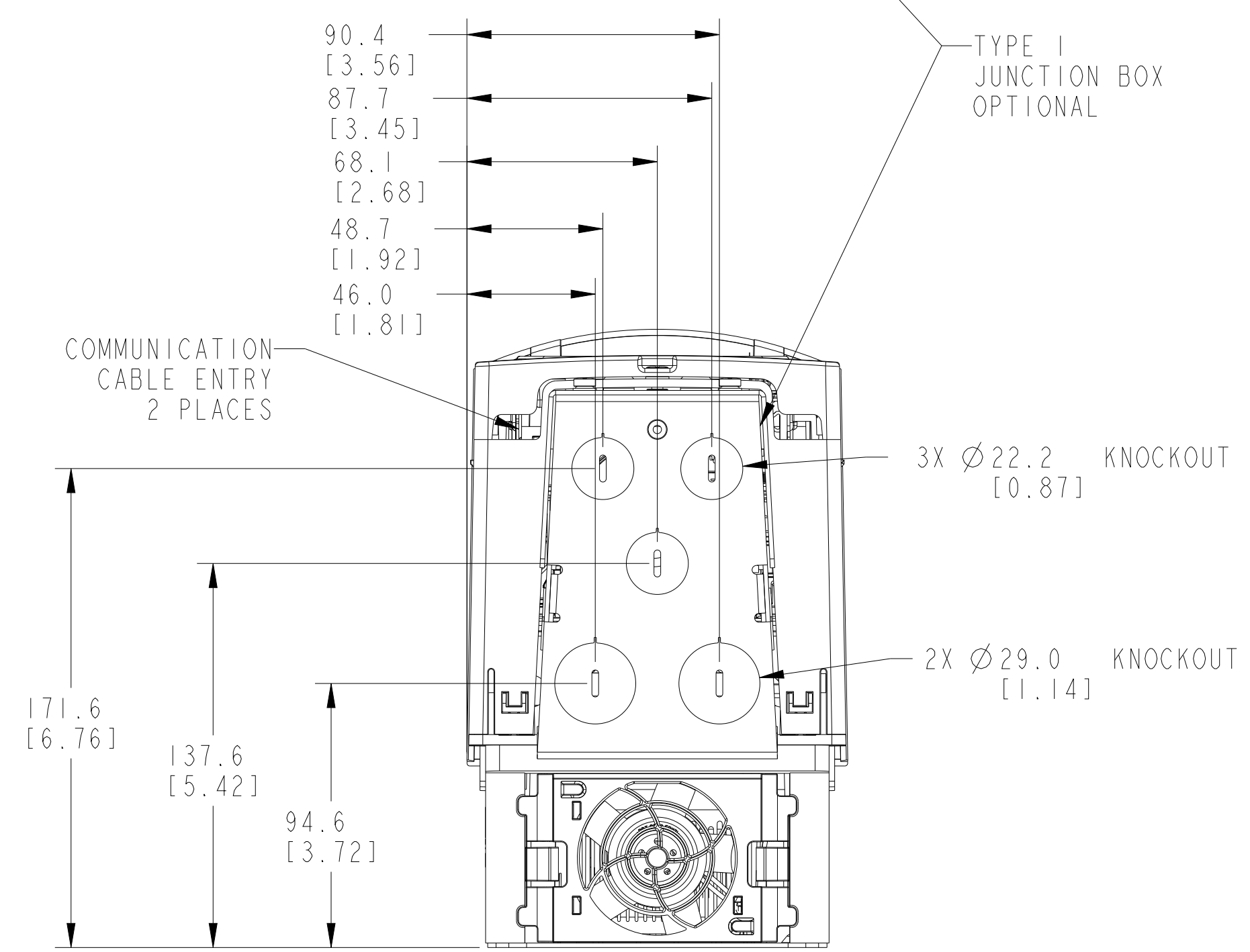
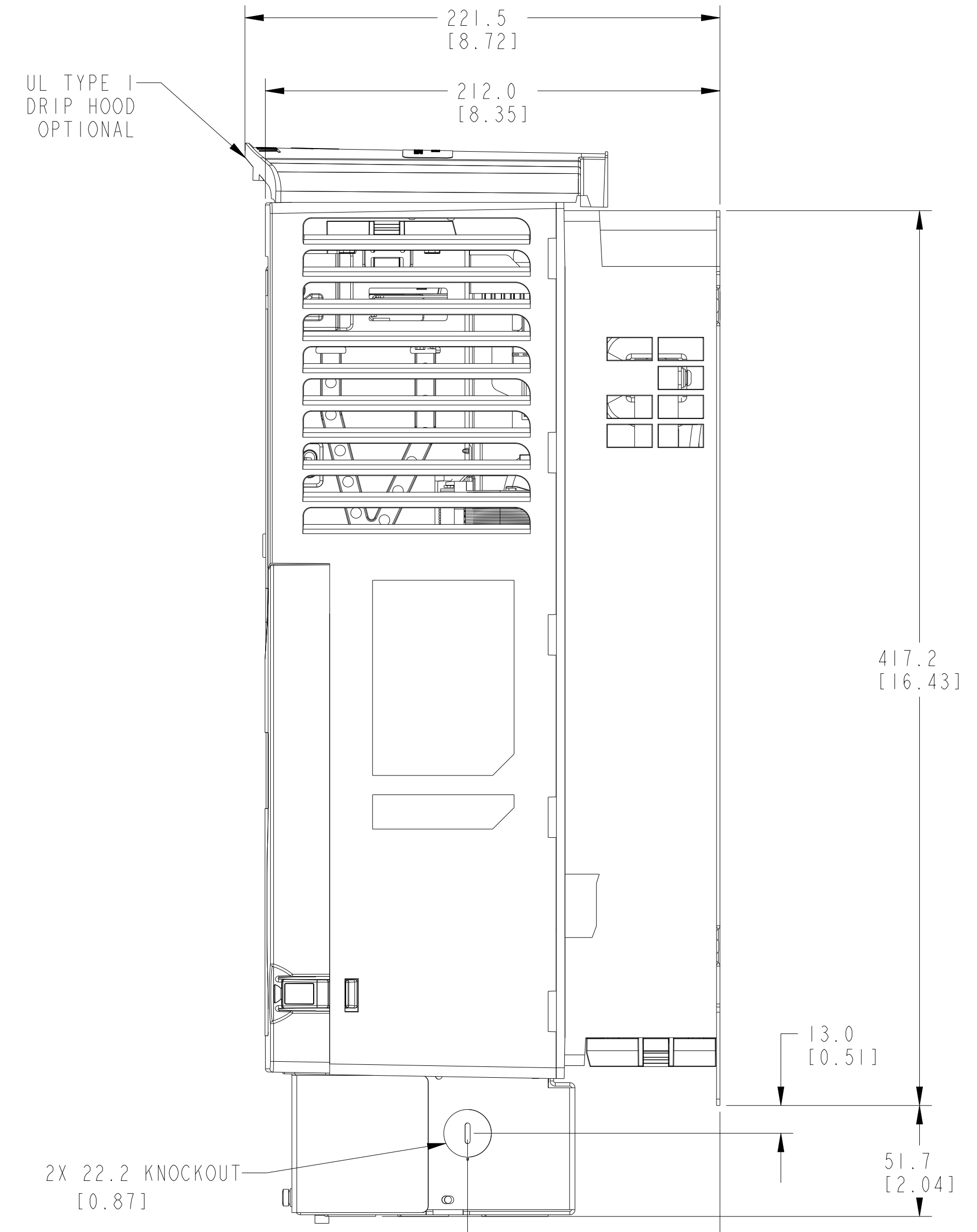
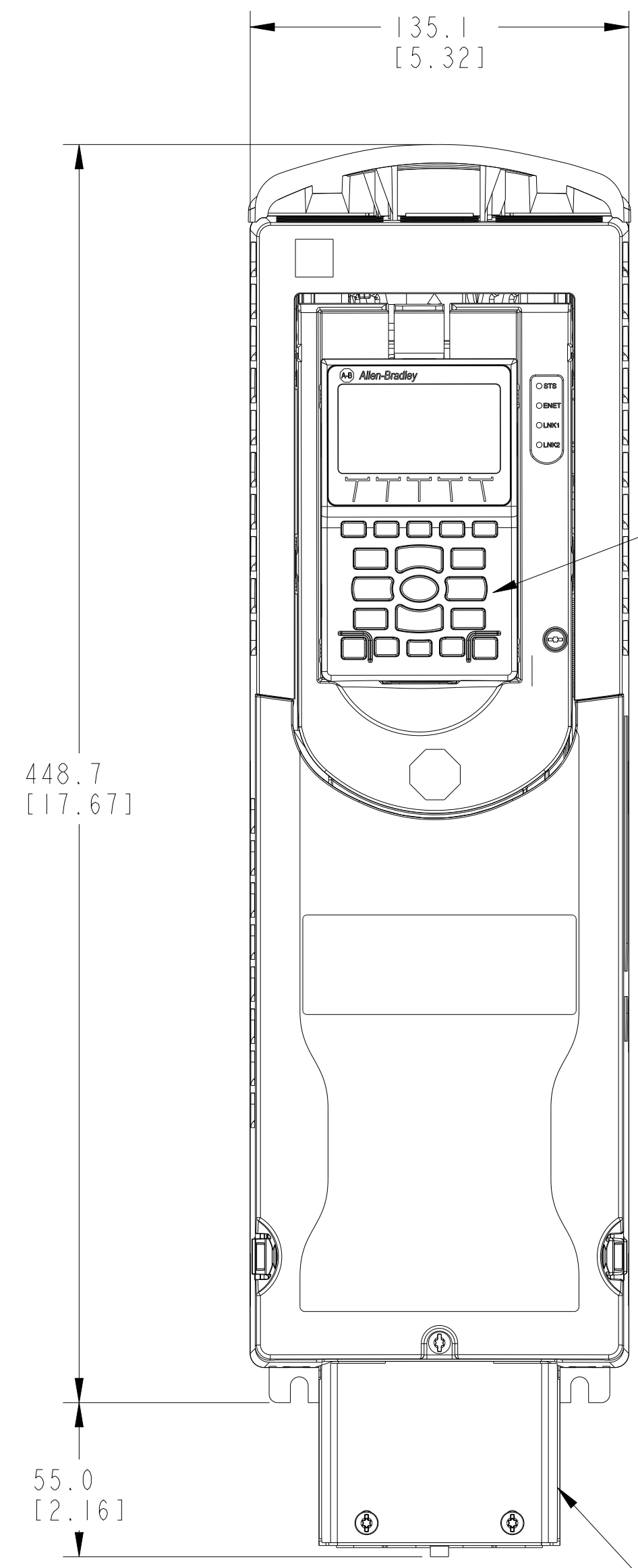
1. RECOMMENDED HOLE SIZE FOR MOUNTING FASTENERS $\varnothing 3.5\text{MM}$ [.138"]
2. DEBURR FASTENER HOLE.
3. DIMENSIONS WITH "CG" REPRESENT THE CENTER OF GRAVITY LOCATION.

		<small>CONFIDENTIAL AND PROPRIETARY INFORMATION. THIS DOCUMENT CONTAINS CONFIDENTIAL AND PROPRIETARY INFORMATION OF ROCKWELL AUTOMATION, INC. AND MAY NOT BE USED, COPIED OR DISCLOSED TO OTHERS, EXCEPT WITH THE AUTHORIZED WRITTEN PERMISSION OF ROCKWELL AUTOMATION, INC.</small>	
		DATE: 2022-02-18	SHEET 2 OF 5
DESCRIPTION	STANDARD-SUBMITTAL PF755TS F-2	SIZE	D1R
CREATED BY: MLACHAW	CHANGED BY: BMACURA	D	10005496177
			01

TYPE I DRIVE

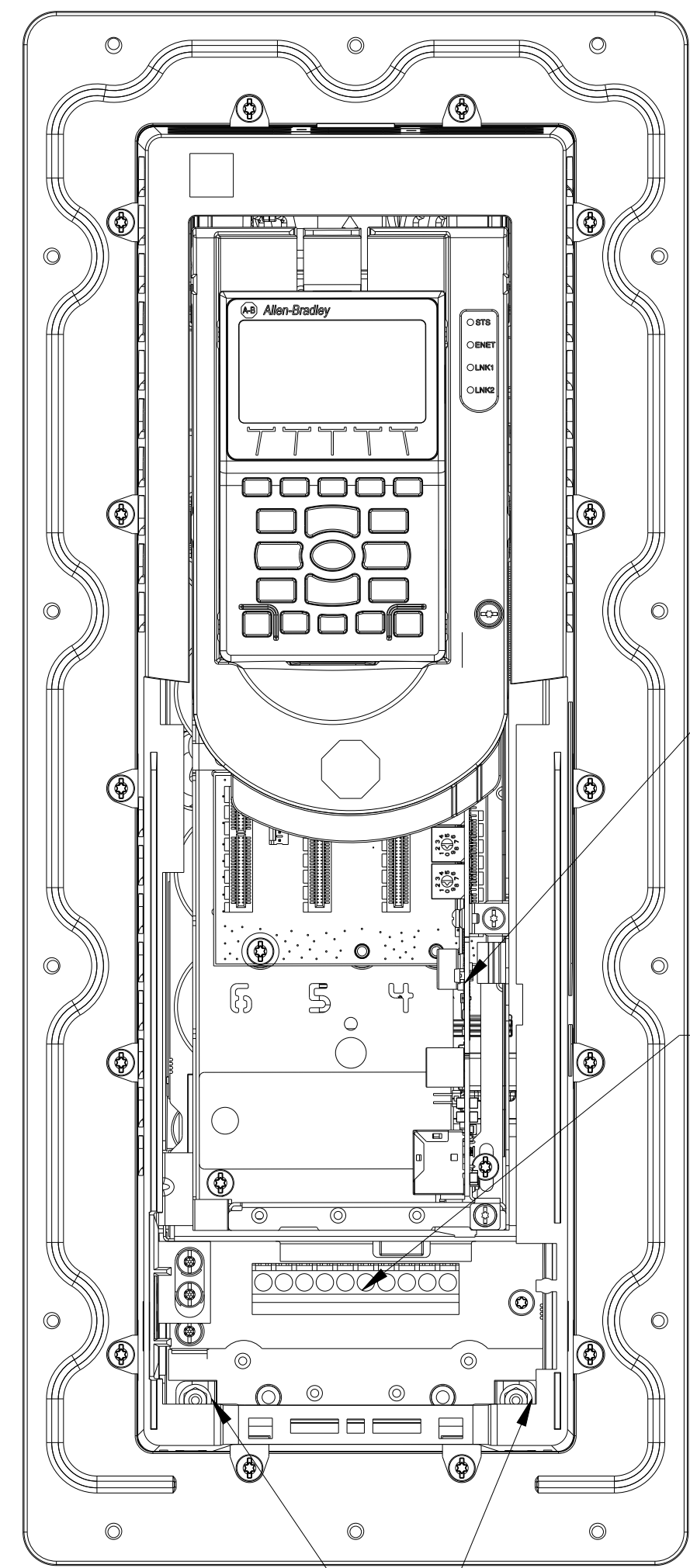


DRIVE COVER REMOVED



		<small>CONFIDENTIAL AND PROPRIETARY INFORMATION. THIS DOCUMENT CONTAINS CONFIDENTIAL AND PROPRIETARY INFORMATION OF ROCKWELL AUTOMATION, INC. AND MAY NOT BE USED, COPIED OR DISCLOSED TO OTHERS, EXCEPT WITH THE AUTHORIZED WRITTEN PERMISSION OF ROCKWELL AUTOMATION, INC.</small>	
		DATE: 2022-02-18	SHEET 3 OF 5
DESCRIPTION	STANDARD-SUBMITTAL PF755TS F-2	SIZE	D1R
CREATED BY: MLACHAW	CHANGED BY: BMACURA	10005496177	01

TYPE 4X FLANGE DRIVE



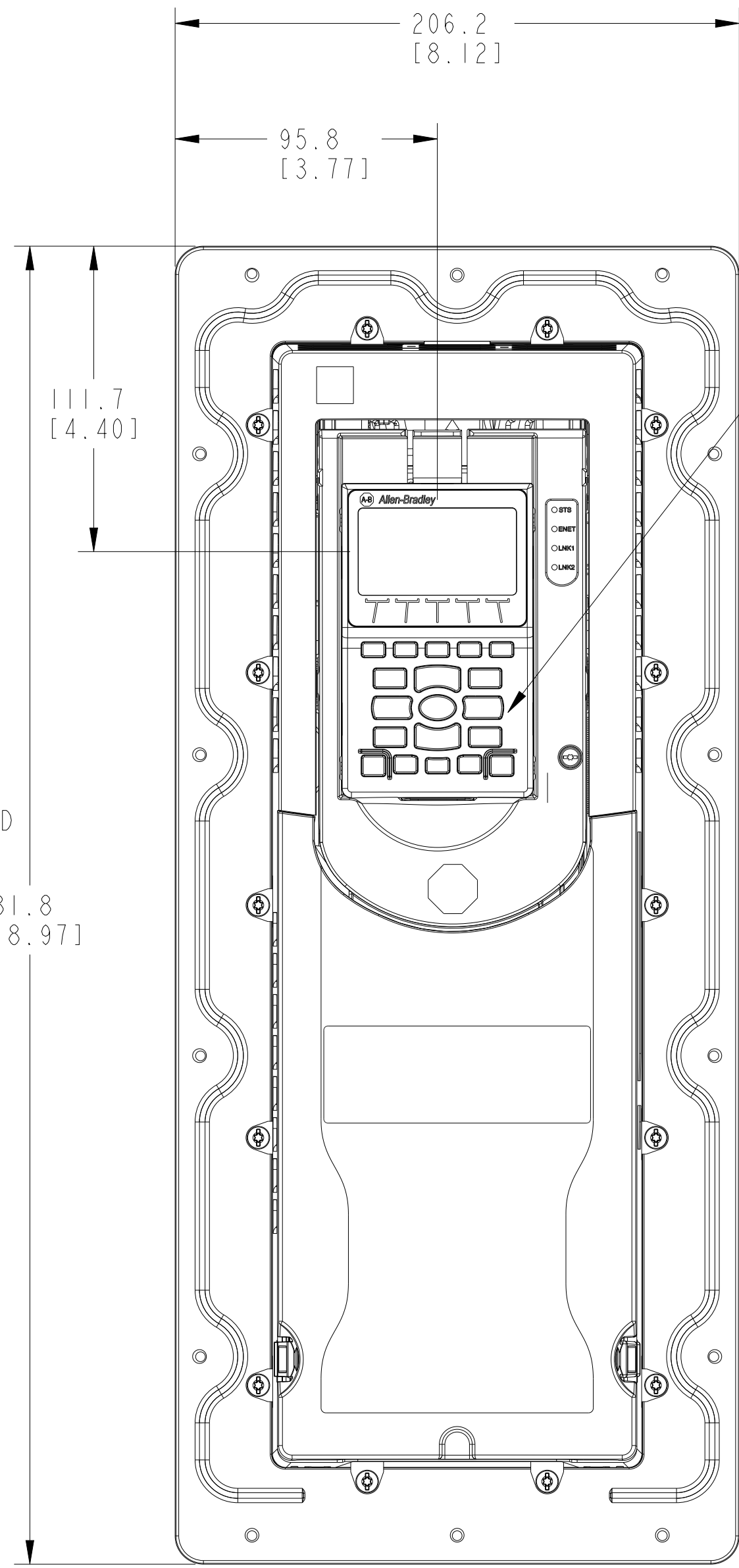
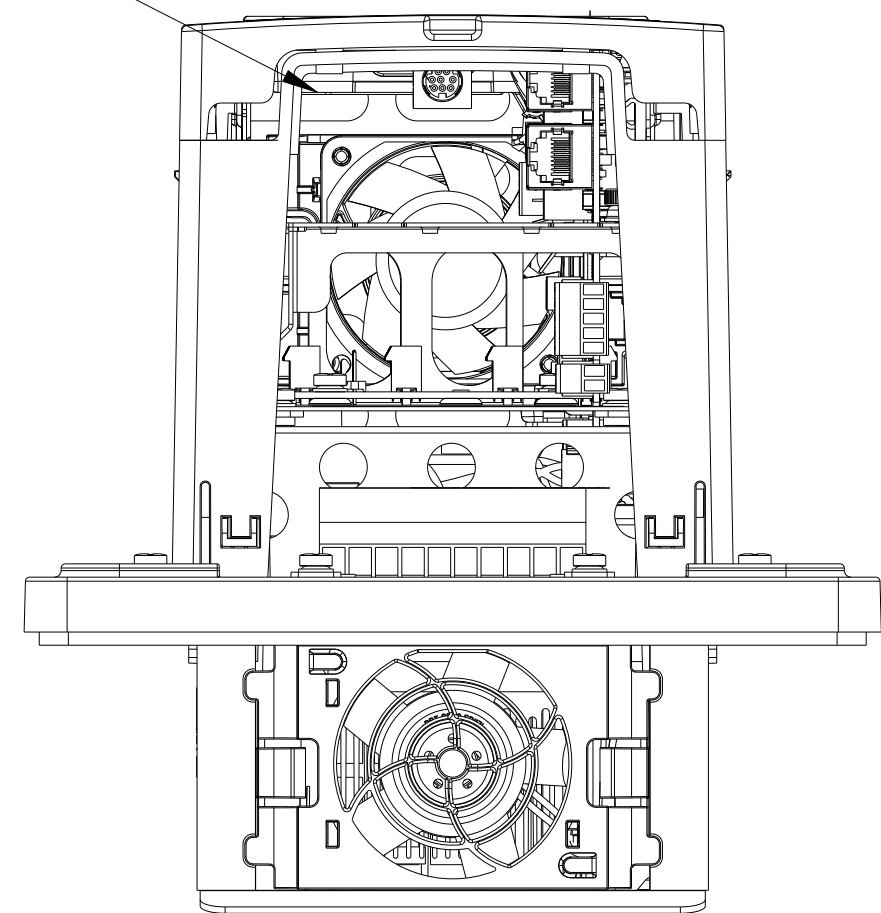
CONTROL BOARD

POWER TERMINAL BLOCK

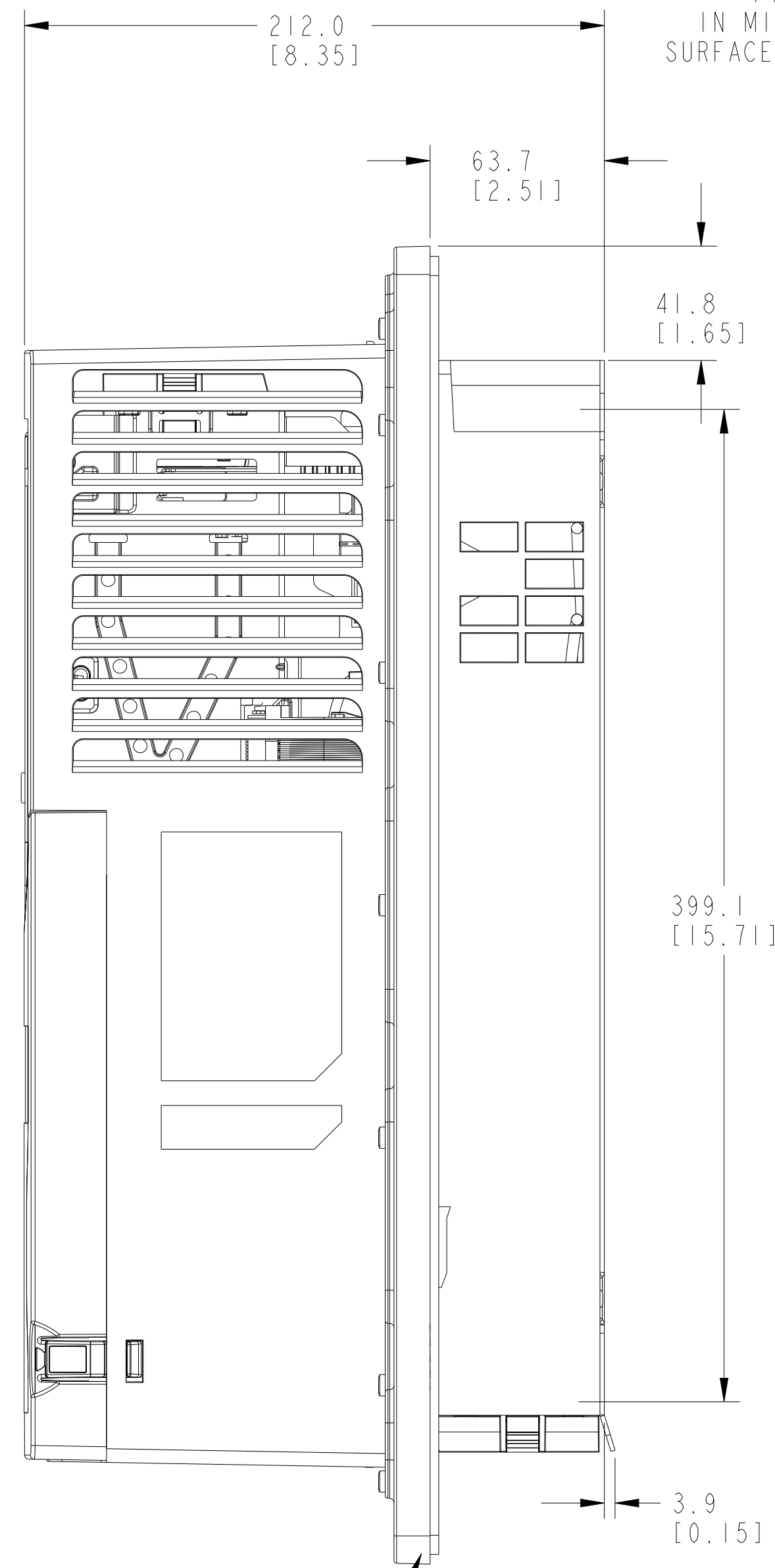
GROUND CONNECTION

DRIVE COVER REMOVED

COMMUNICATION CABLE ENTRY 2 PLACES

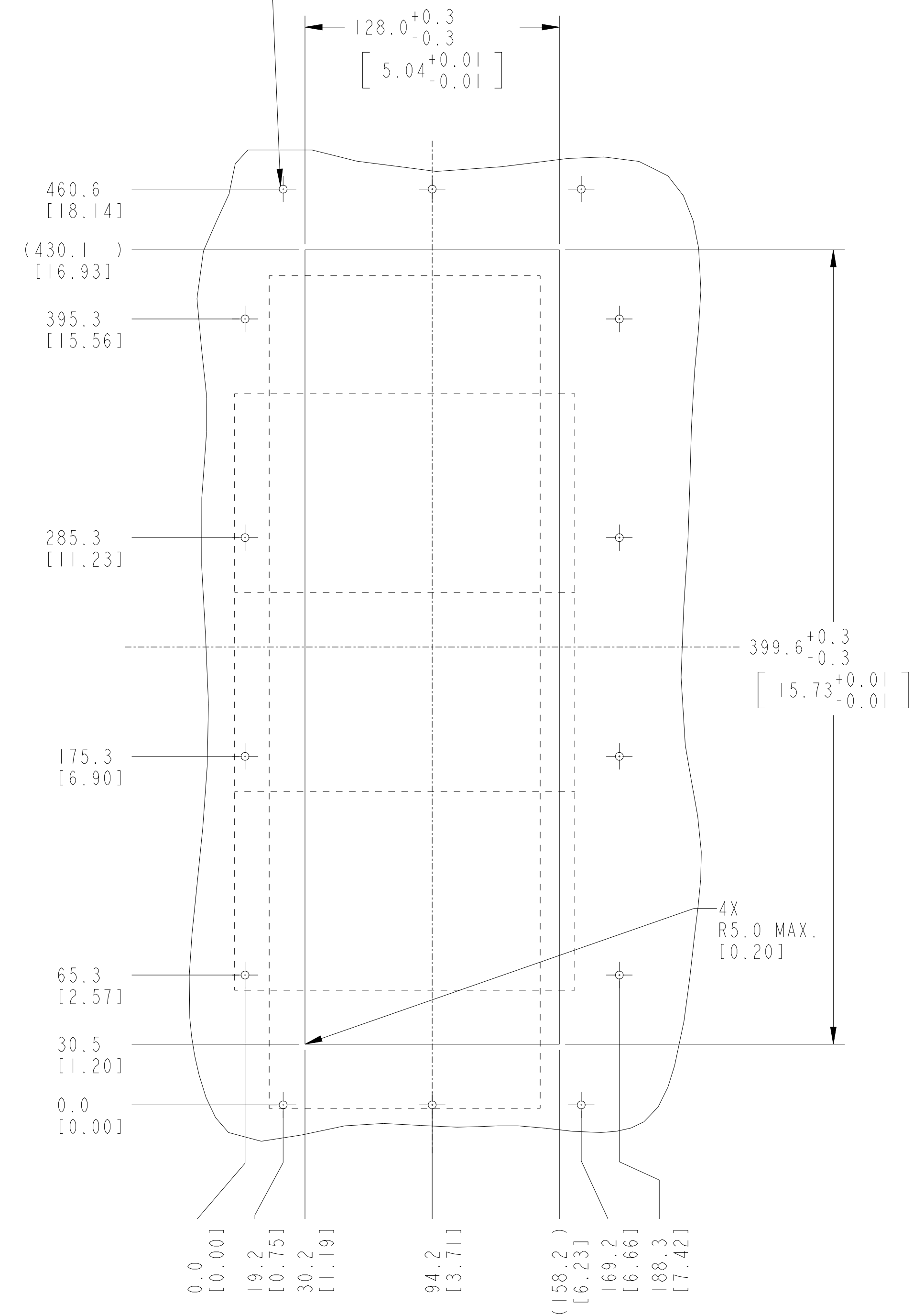


HUMAN INTERFACE MODULE (HIM) OPTIONAL



FLANGE AND GASKET

14 HOLES AT Ø4.0MM [.157"] IN MINIMUM 14GA STEEL MOUNTING SURFACE, DEBURR PILOT HOLES AND DRIVE OPENING.



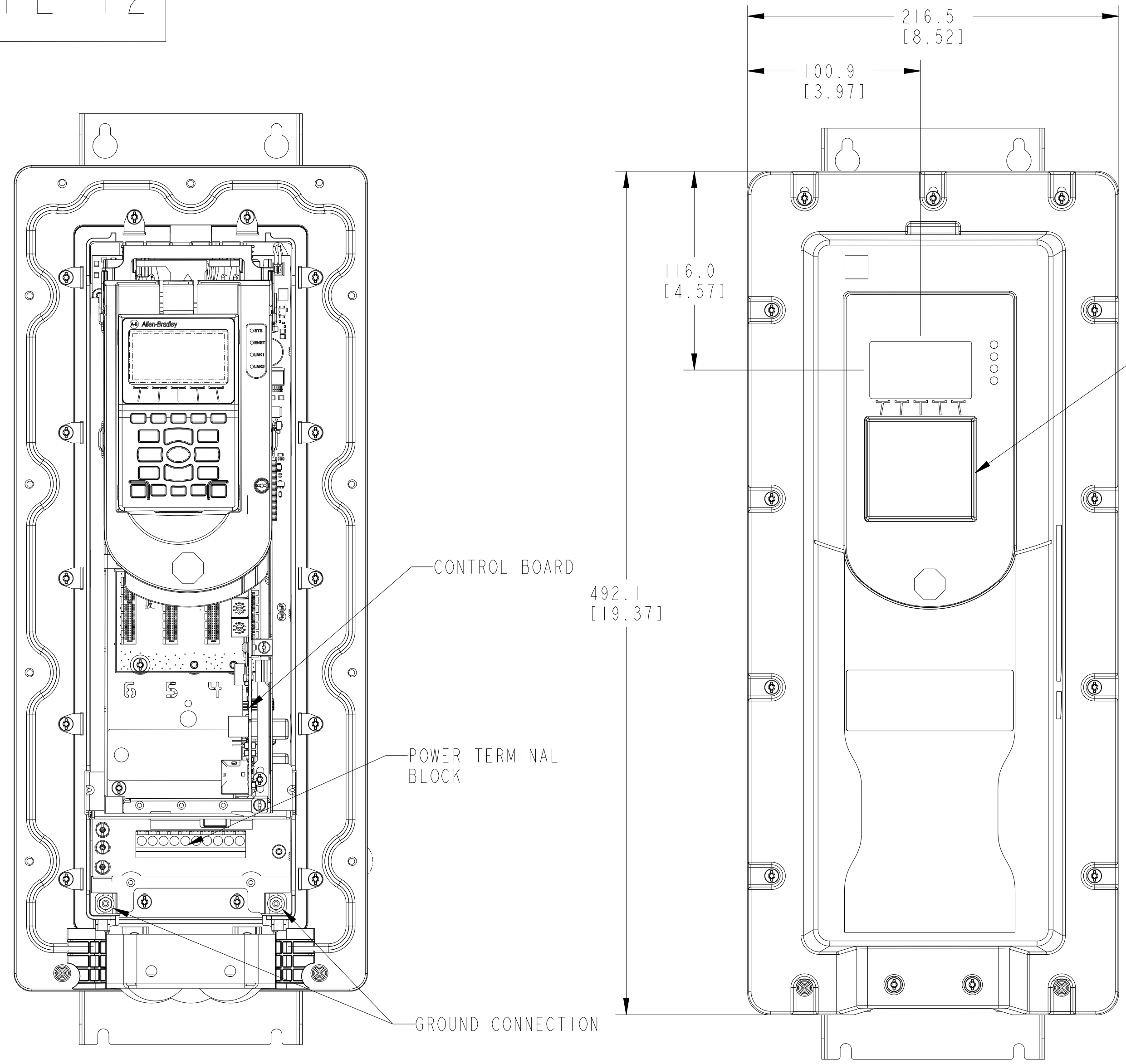
PANEL CUTOUT

NOTE:

1. MOUNTING HARDWARE SHIPPED WITH FLANGE MOUNT DRIVE

		<small>CONFIDENTIAL AND PROPRIETARY INFORMATION. THIS DOCUMENT CONTAINS CONFIDENTIAL AND PROPRIETARY INFORMATION OF ROCKWELL AUTOMATION, INC. AND MAY NOT BE USED, COPIED OR DISCLOSED TO OTHERS, EXCEPT WITH THE AUTHORIZED WRITTEN PERMISSION OF ROCKWELL AUTOMATION, INC.</small>	
		DATE: 2022-02-18	SHEET 4 OF 5
DESCRIPTION	STANDARD-SUBMITTAL PF755TS F-2	SIZE D1R	VER
CREATED BY: MLACHAW	CHANGED BY: BMACURA	D	10005496177 01

TYPE 12



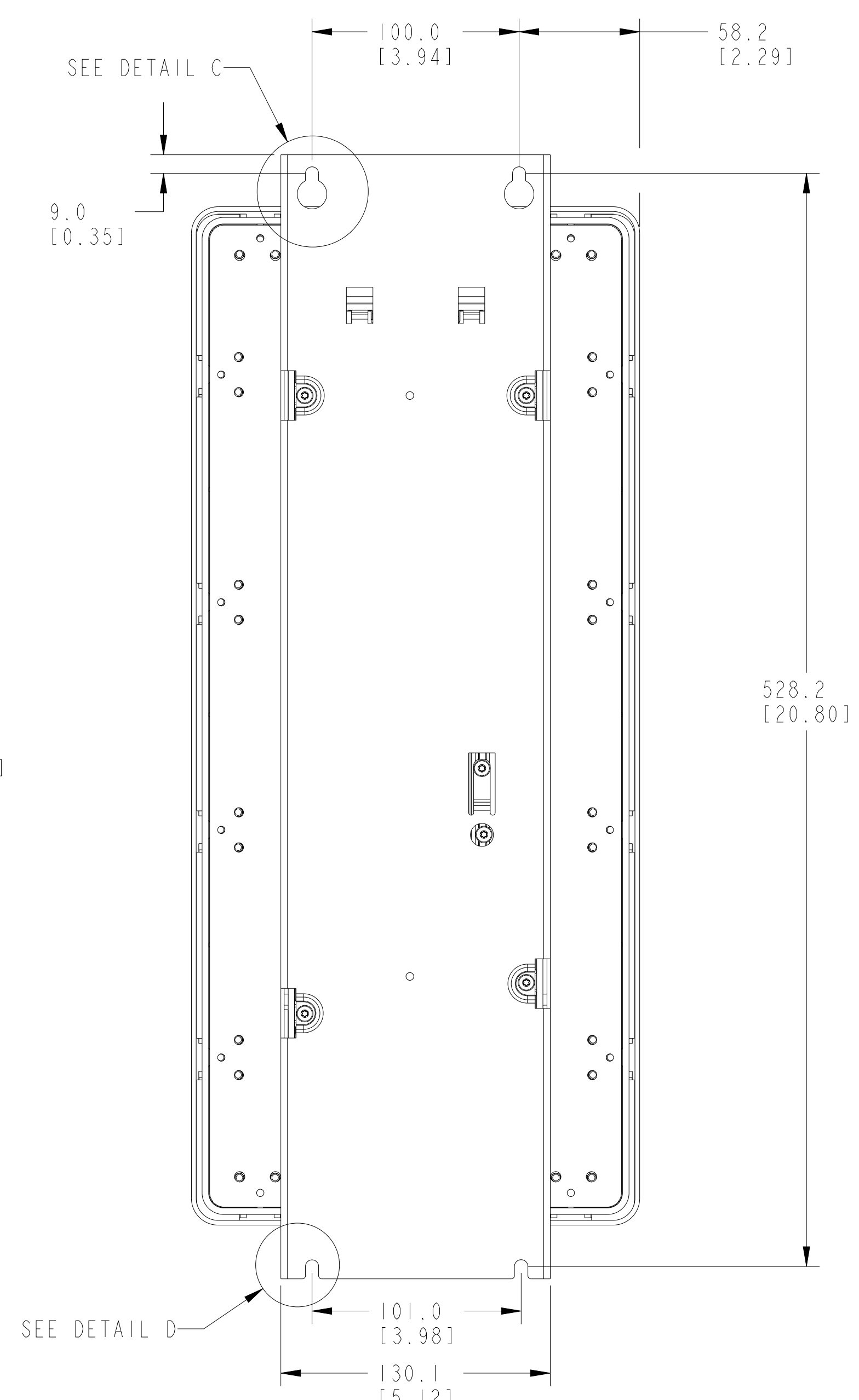
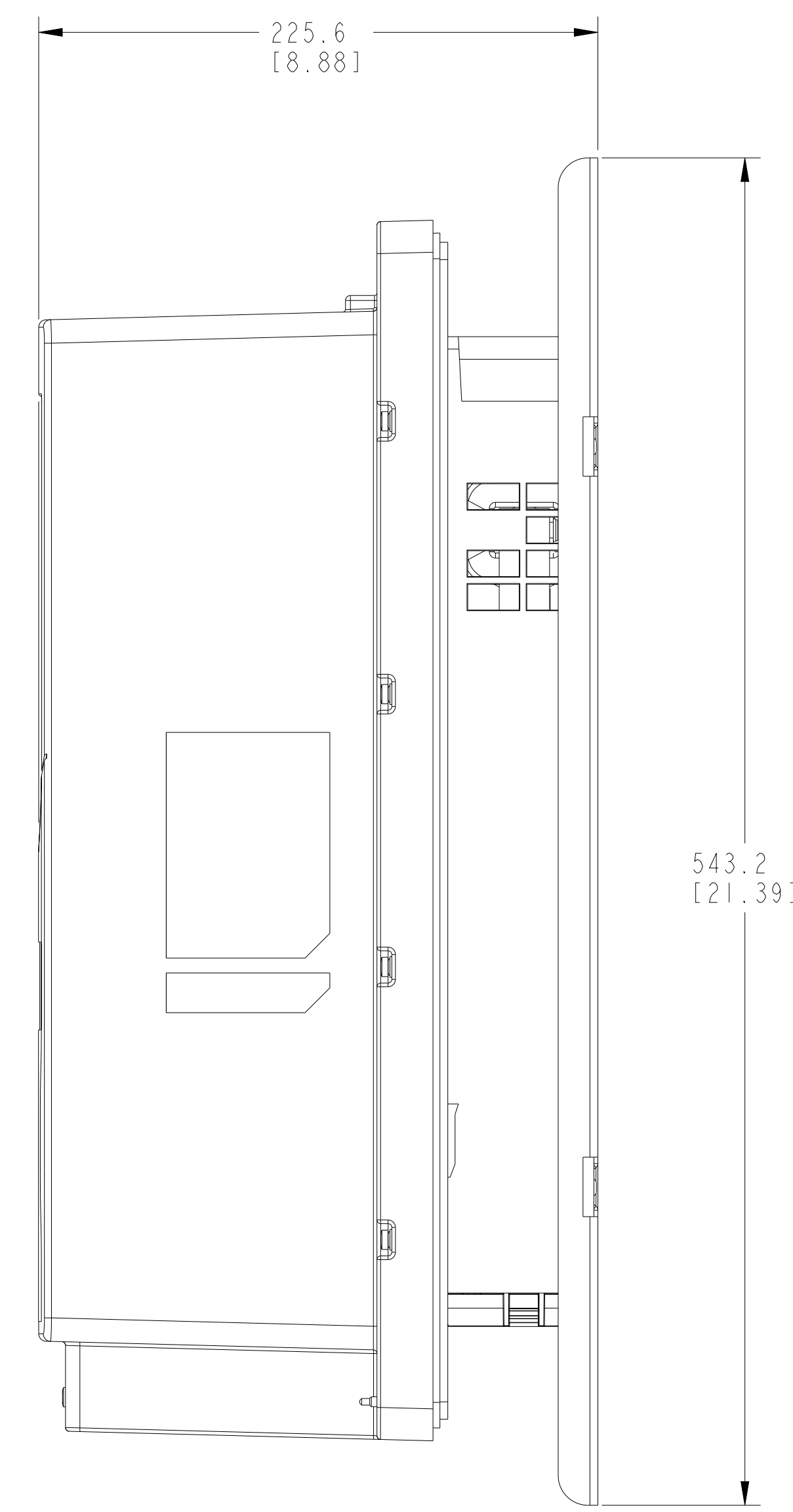
DRIVE COVER REMOVED

HUMAN INTERFACE MODULE (HIM) OPTIONAL

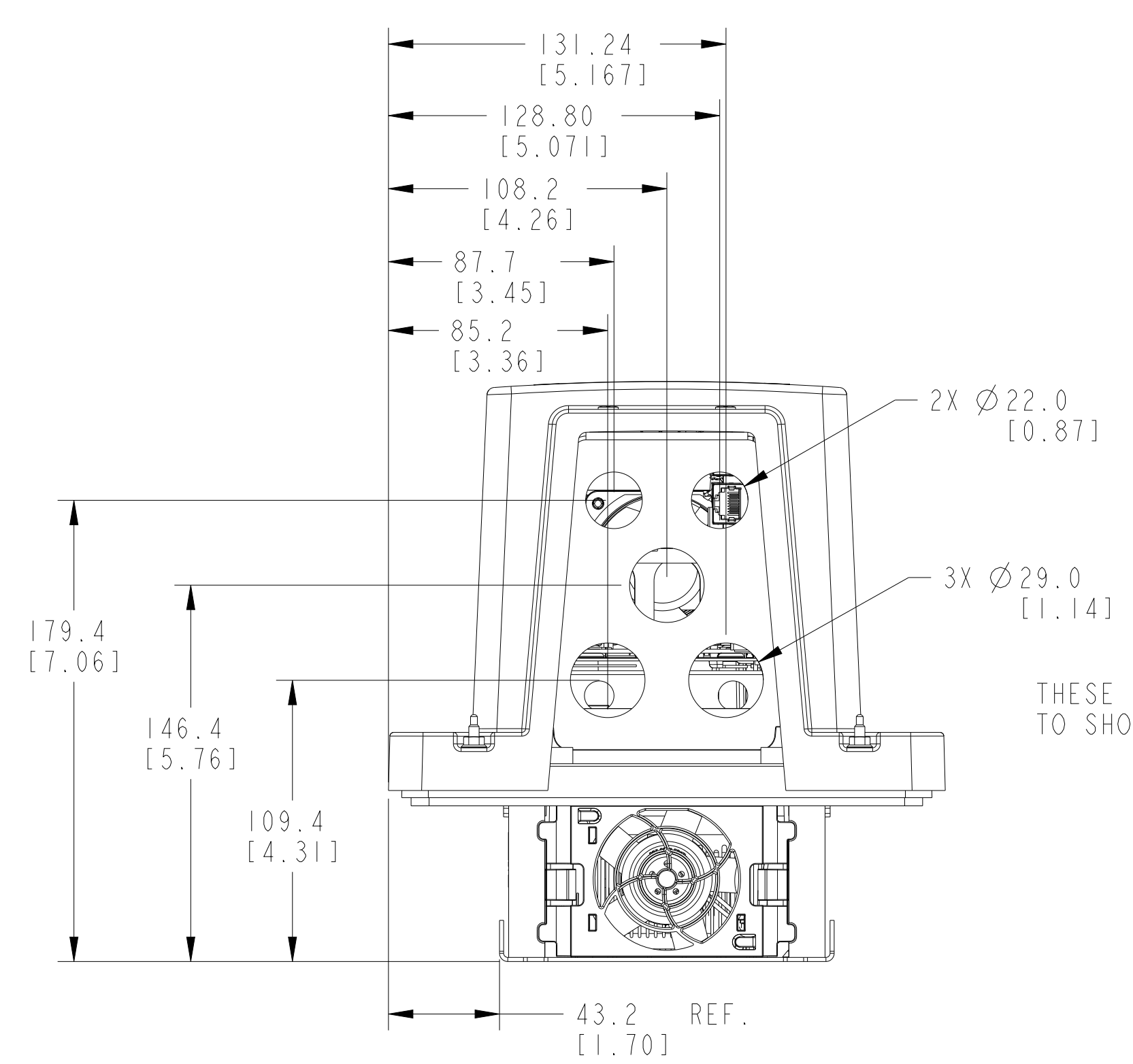
CONTROL BOARD

POWER TERMINAL BLOCK

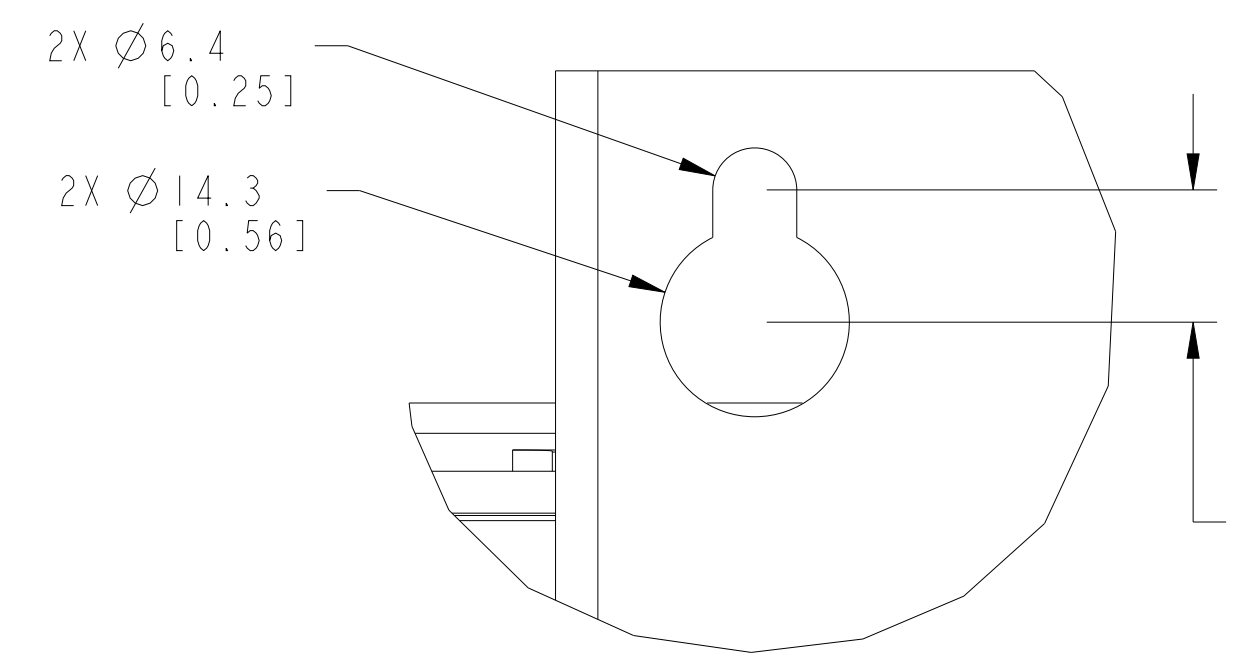
GROUND CONNECTION



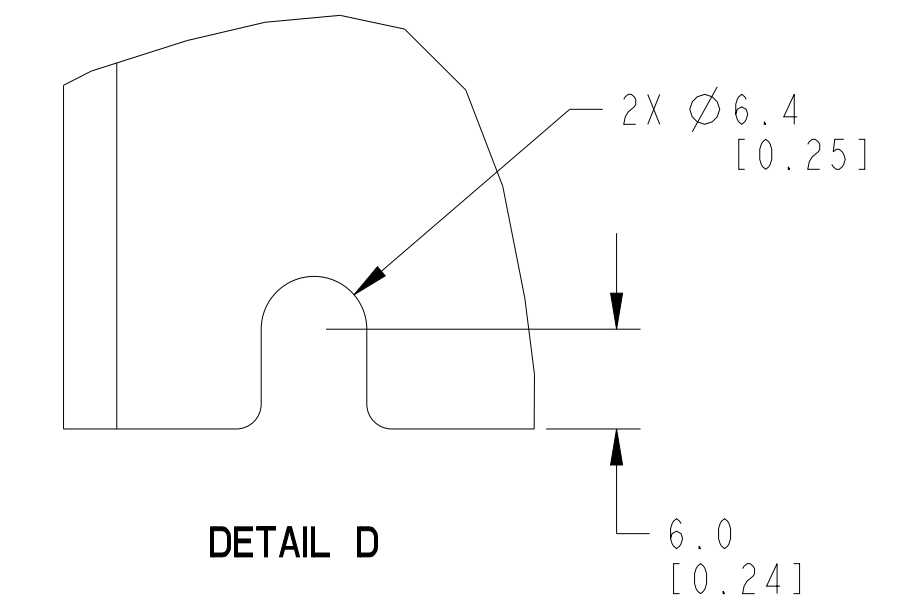
MOUNTING HOLE LOCATIONS



THESE DIMENSIONS ADDED TO SHOW CONDUIT FITTING OPENINGS



DETAIL C



DETAIL D

NOTES:

1. RECOMMENDED HOLE SIZE FOR MOUNTING FASTENERS $\varnothing 3.5$ MM [138"]
2. DEBURR FASTENER HOLE.

		<small>CONFIDENTIAL AND PROPRIETARY INFORMATION. THIS DOCUMENT CONTAINS CONFIDENTIAL AND PROPRIETARY INFORMATION OF ROCKWELL AUTOMATION, INC. AND MAY NOT BE USED, COPIED OR DISCLOSED TO OTHERS, EXCEPT WITH THE AUTHORIZED WRITTEN PERMISSION OF ROCKWELL AUTOMATION, INC.</small>	
		DATE: 2022-02-18	SHEET 5 OF 5
<small>DESCRIPTION</small> STANDARD-SUBMITTAL PF755TS F-2 <small>CREATED BY: MLACHAW</small>	<small>SIZE</small> D	<small>VER</small> 01	<small>VER</small> 01
		<small>CHANGED BY: BMACURA</small>	