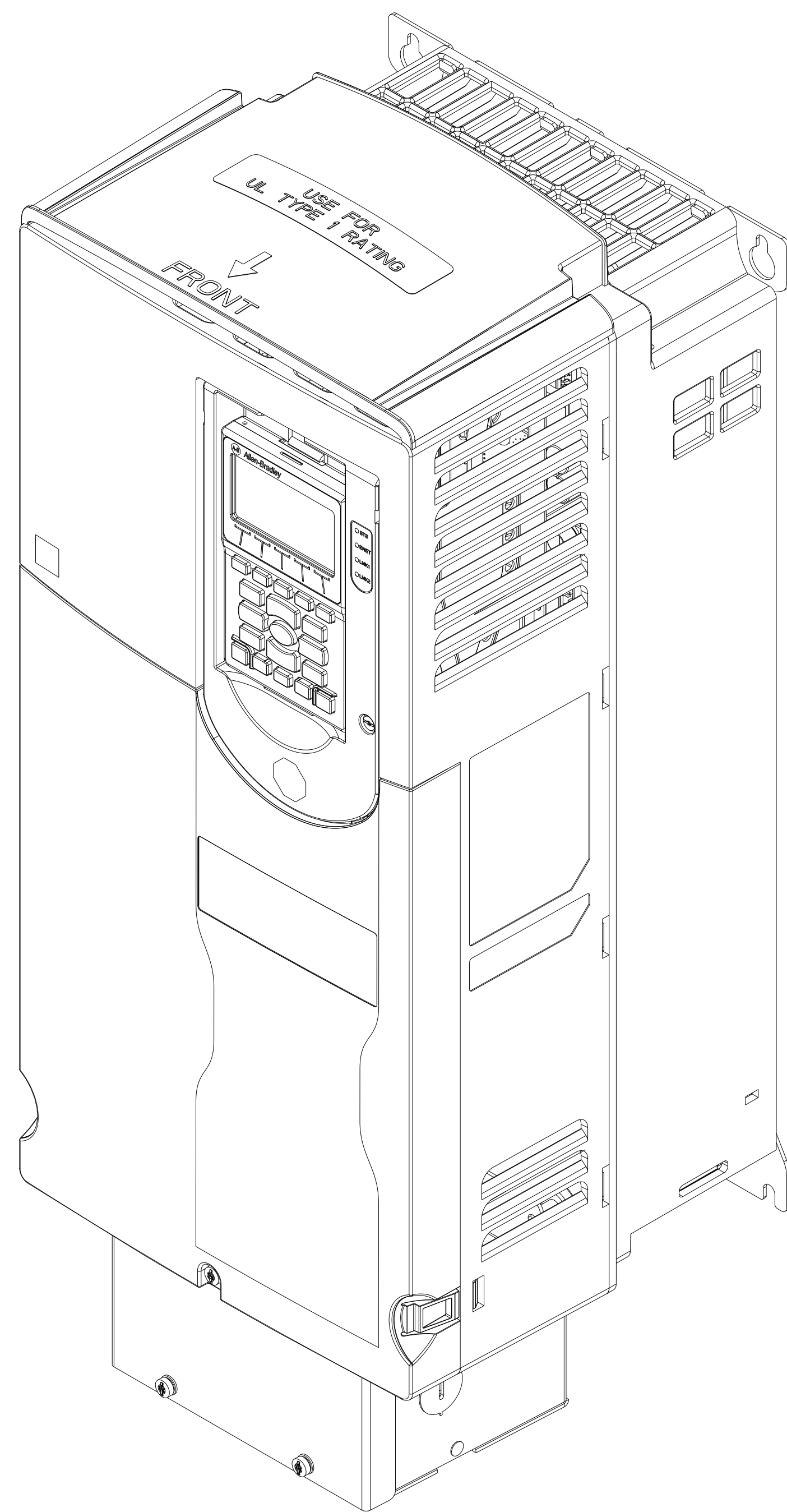
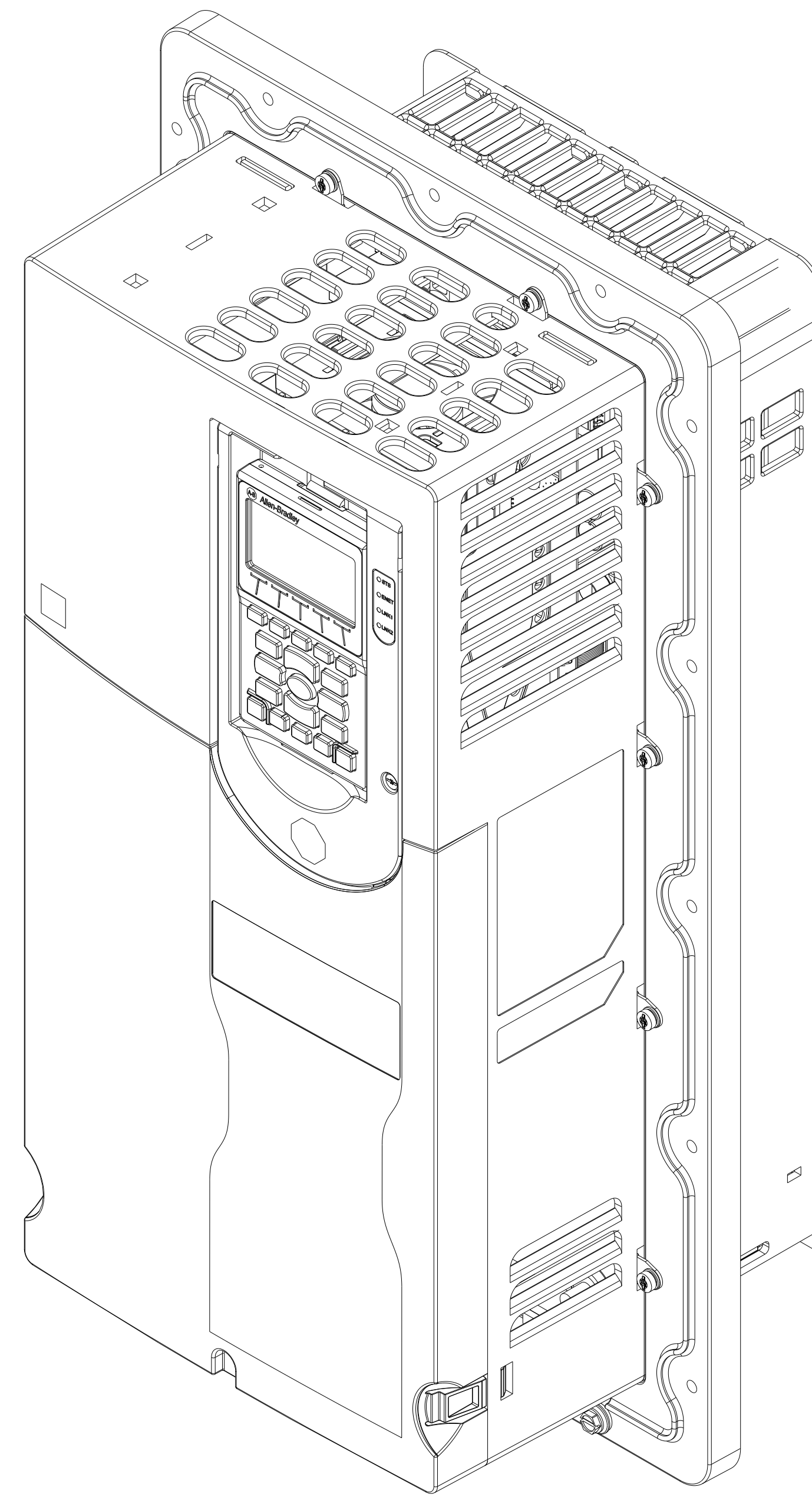


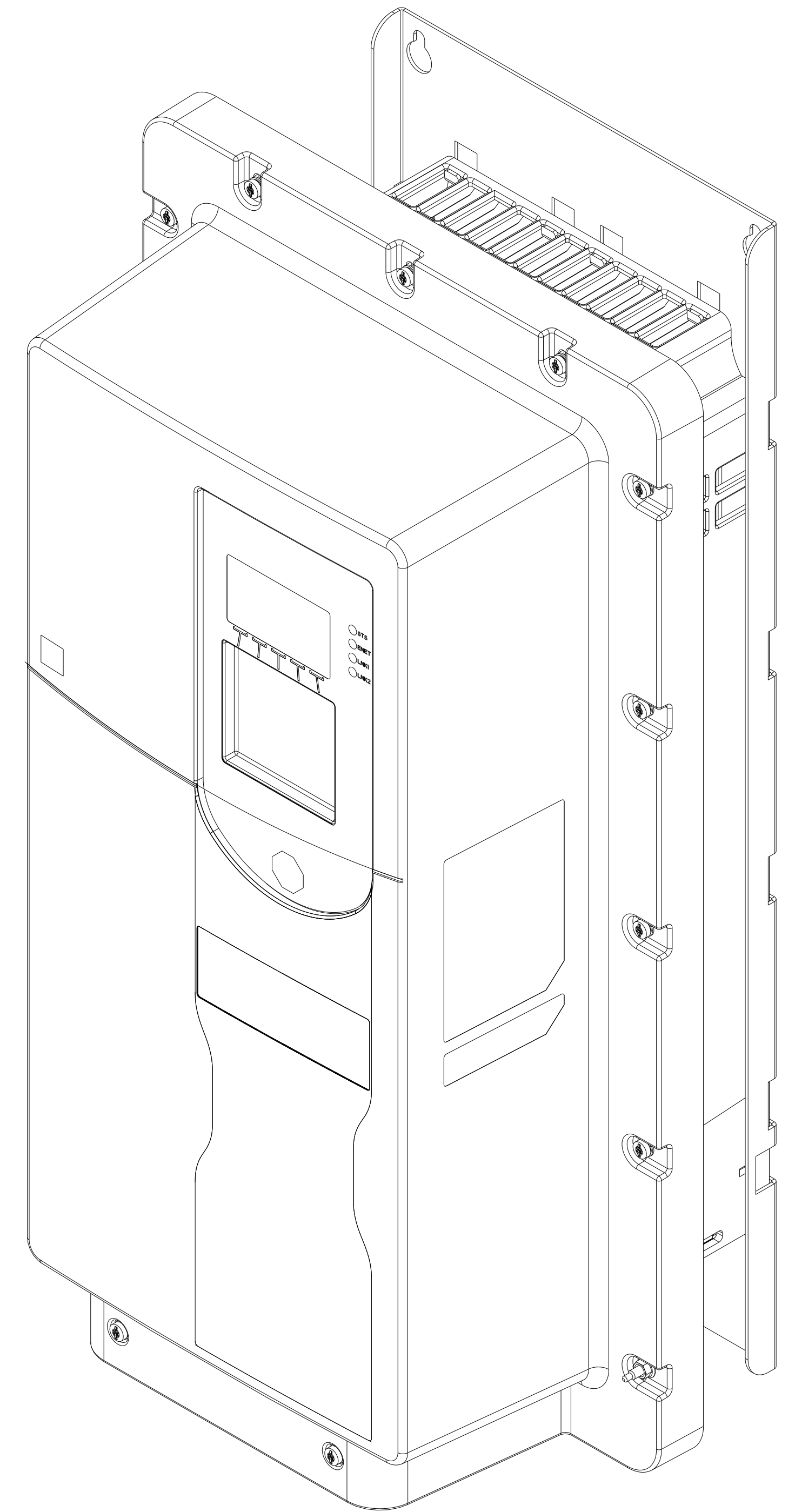
OPEN DRIVE



TYPE I DRIVE
AFTER INSTALLATION
OF THE TYPE I KIT



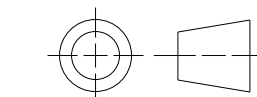
TYPE 4X
FLANGE DRIVE



TYPE 12 DRIVE

ALL UNDIMENSIONED GEOMETRIES ARE CONTROLLED BY THE CAD MODEL. IN CASE OF DIMENSION DISCREPANCY, CAD MODEL OVERRIDES.

THIRD ANGLE PROJECTION



STANDARD-SUBMITTAL PF755TS F-4

CREATED BY: BMACURA

CHANGED BY: BMACURA

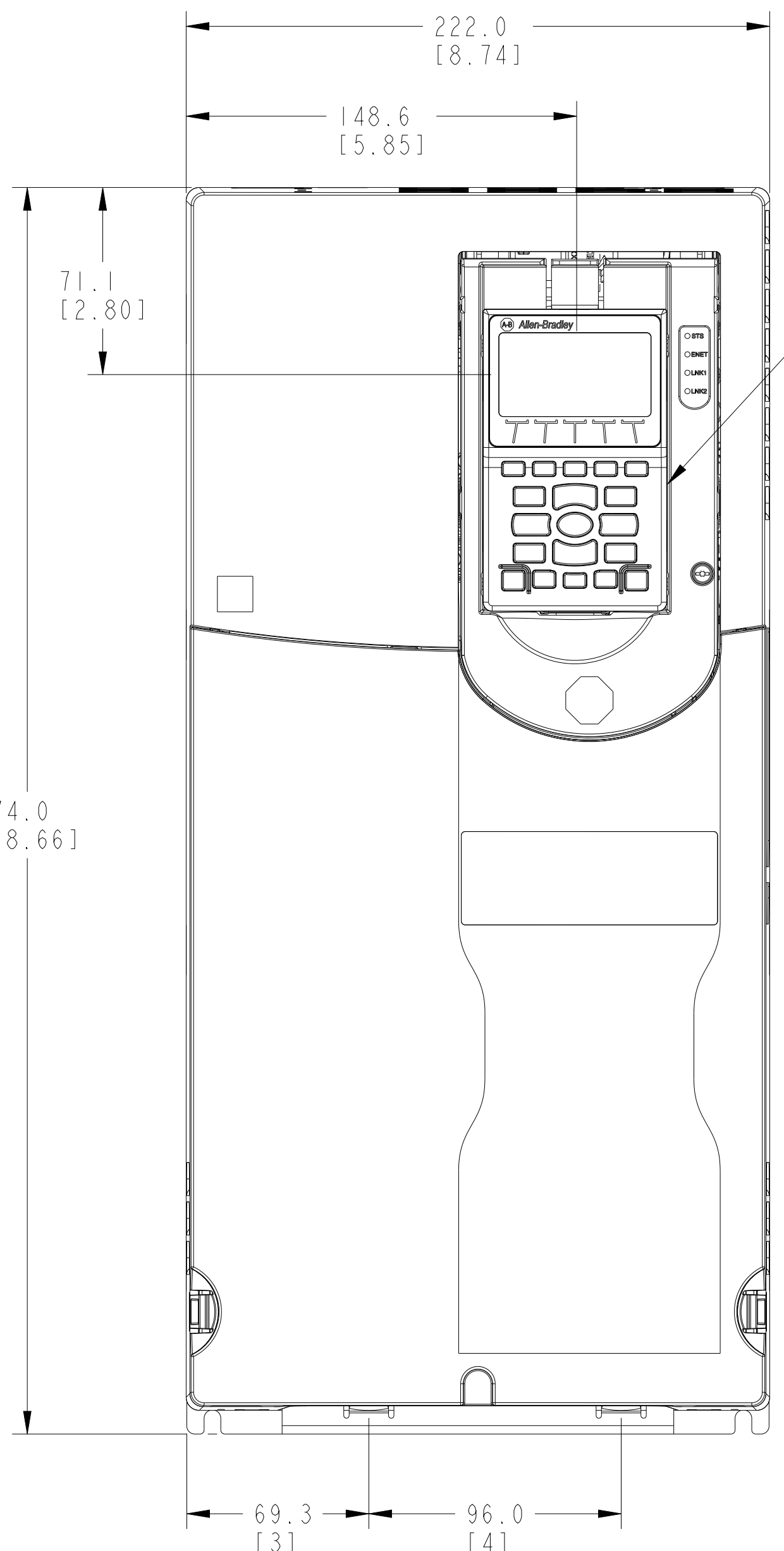
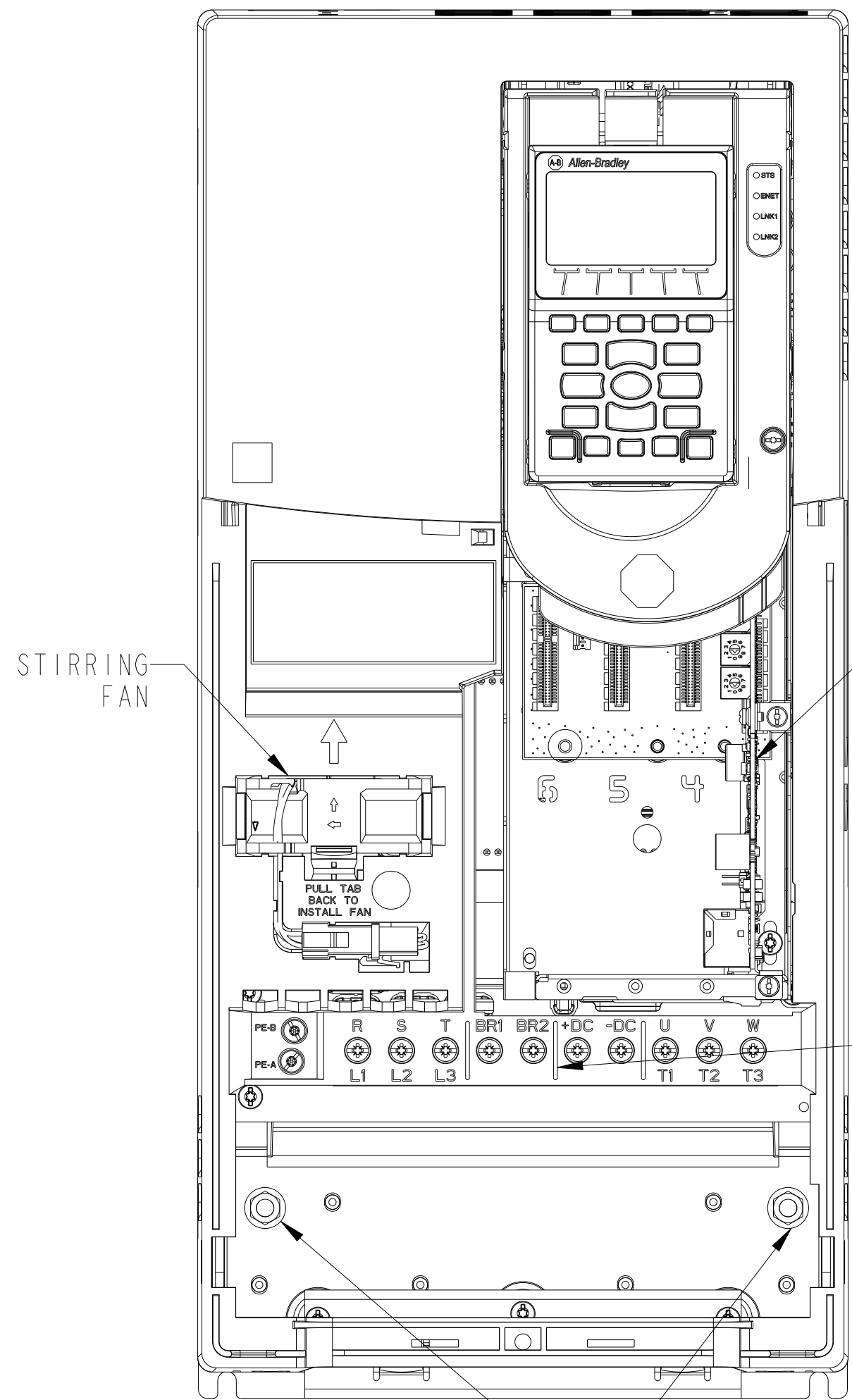
CONFIDENTIAL AND PROPRIETARY INFORMATION. THIS DOCUMENT CONTAINS CONFIDENTIAL AND PROPRIETARY INFORMATION OF ROCKWELL AUTOMATION, INC. AND MAY NOT BE USED, COPIED OR DISCLOSED TO OTHERS, EXCEPT WITH THE AUTHORIZED WRITTEN PERMISSION OF ROCKWELL AUTOMATION, INC.

DATE: 2022-03-10 SHEET 1 OF 5

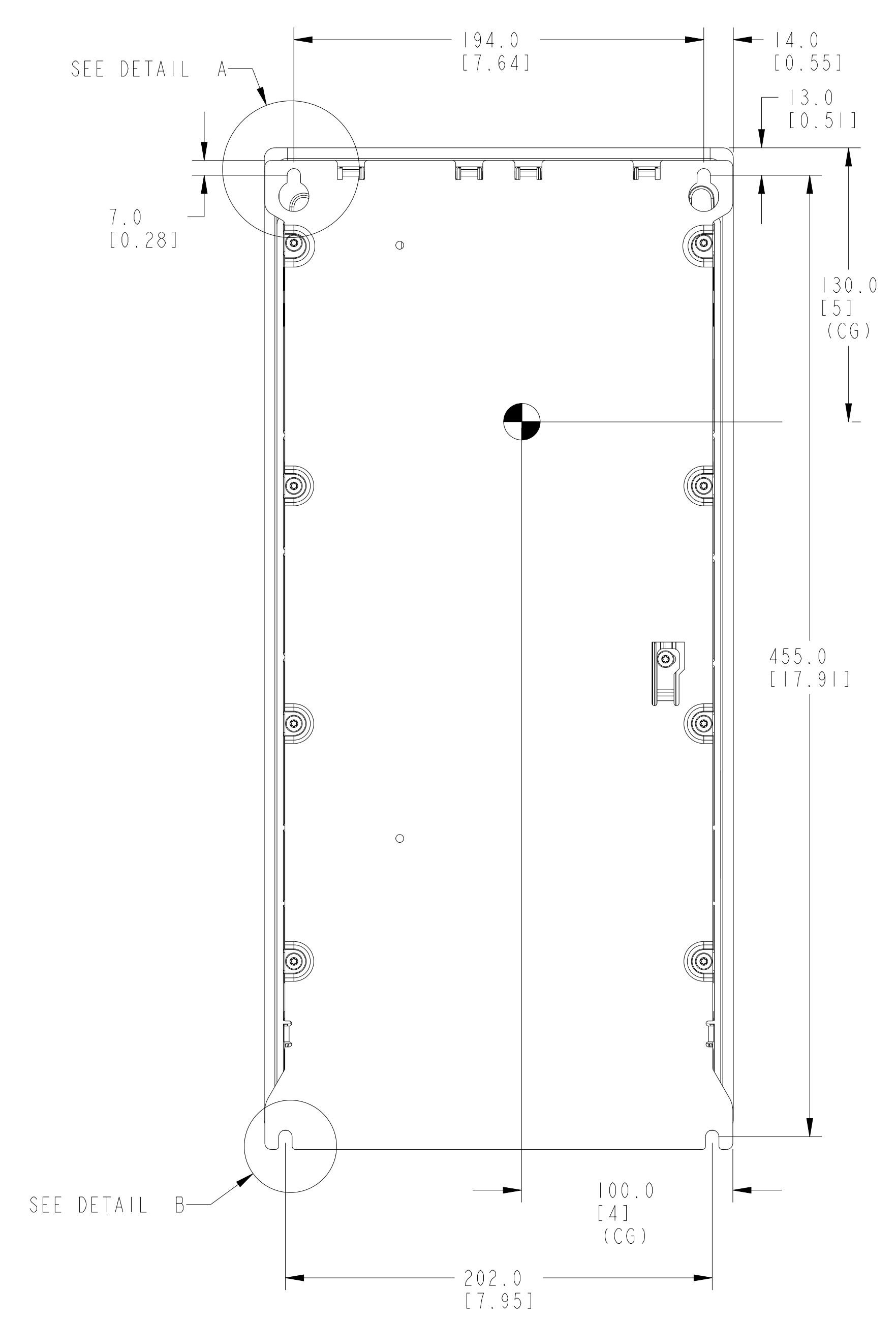
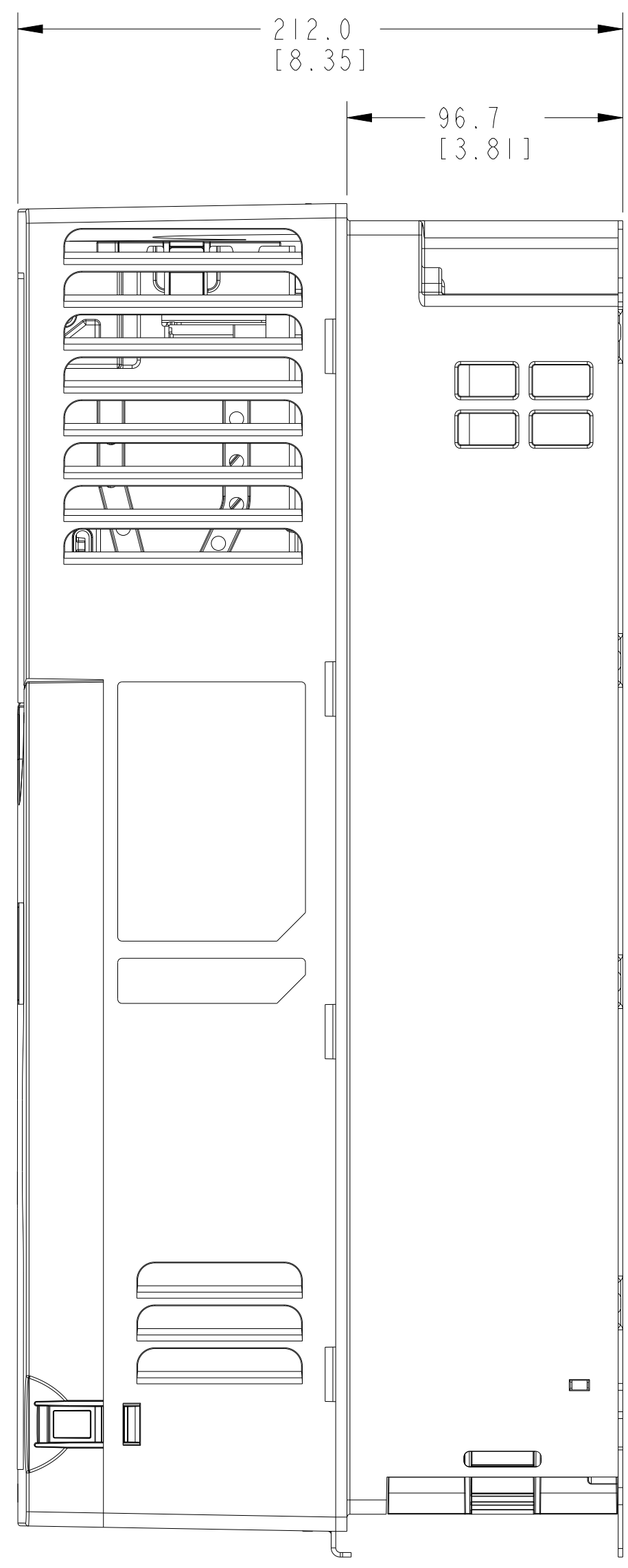
SIZE D1R VER

D 10005529525 02

OPEN DRIVE

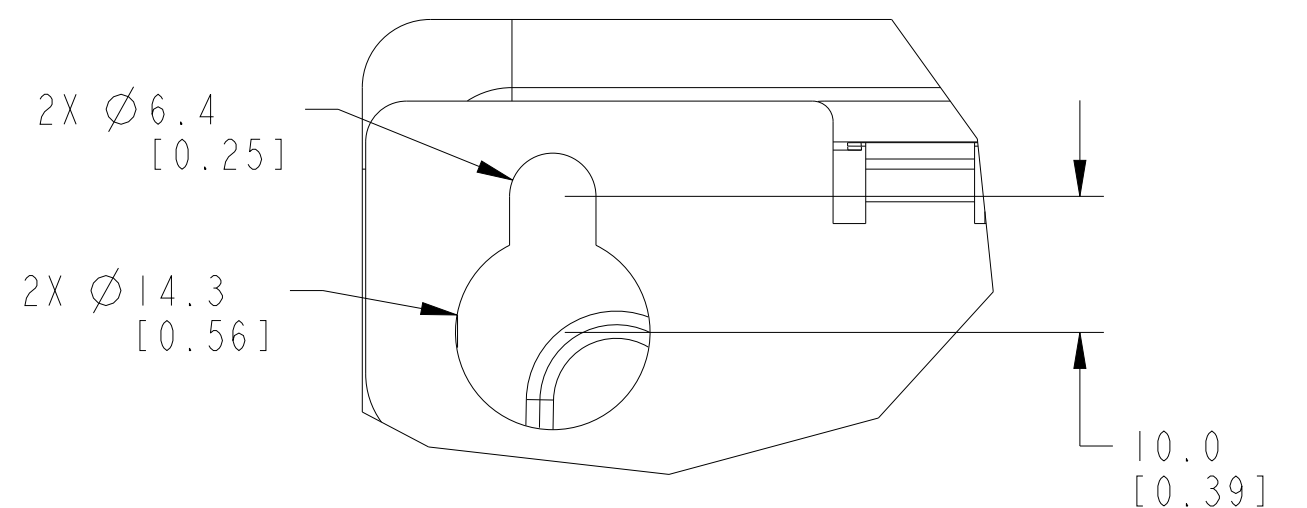
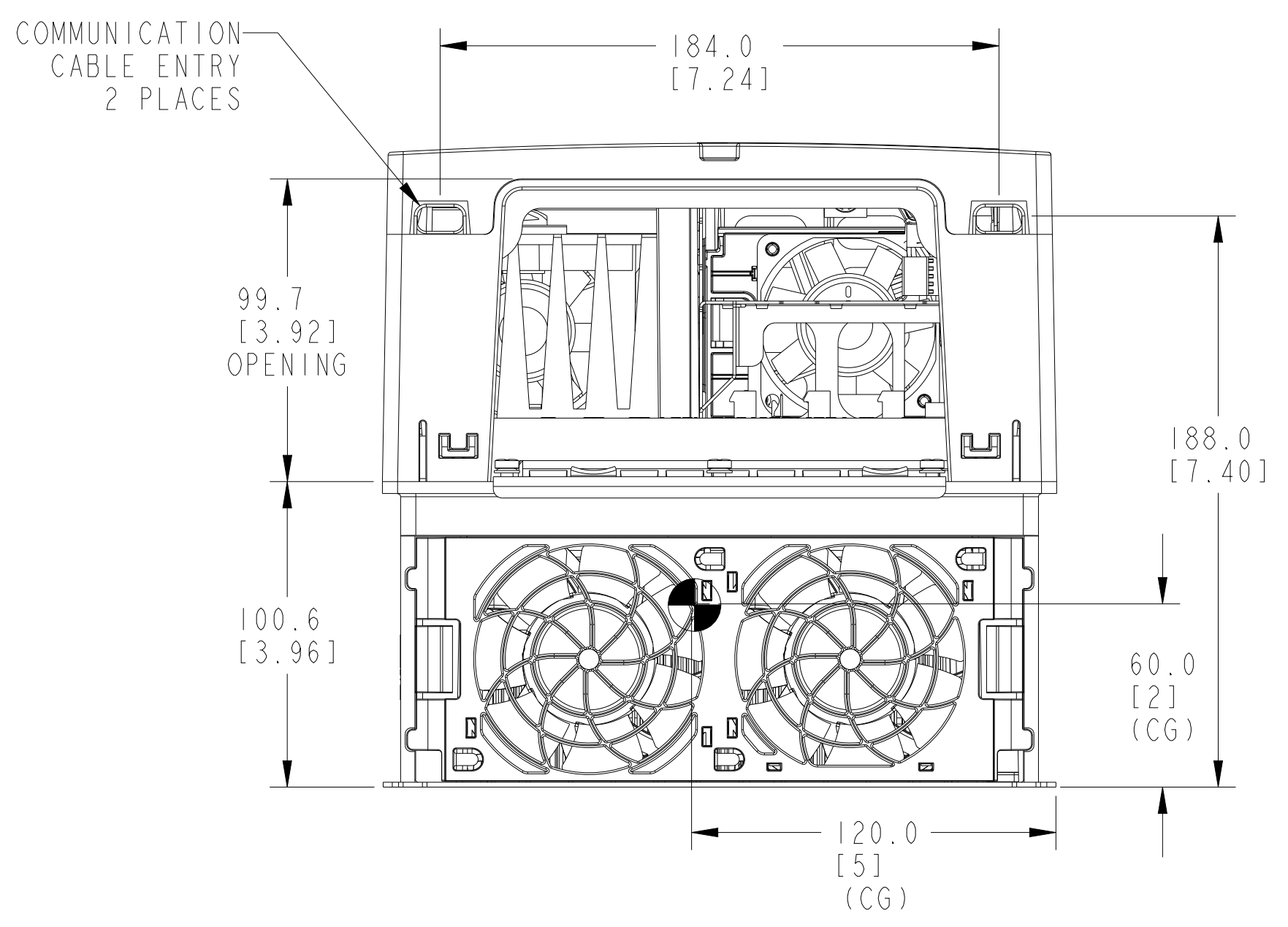


HUMAN INTERFACE MODULE (HIM) OPTIONAL

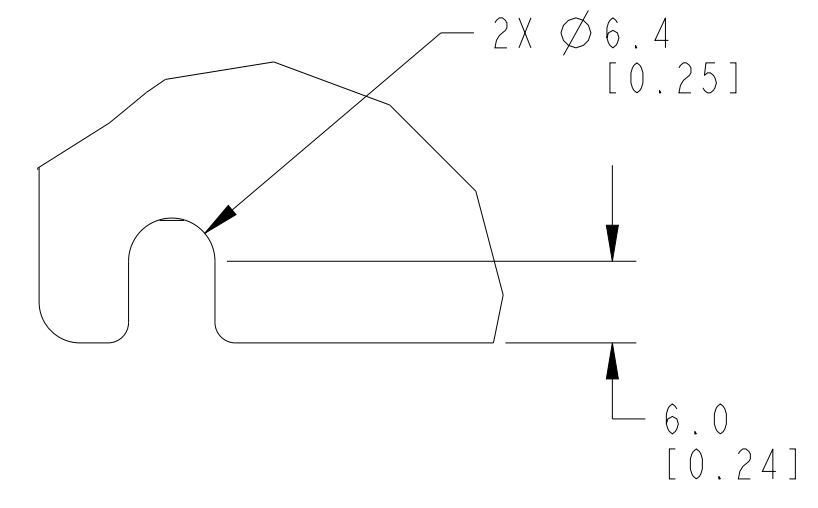


MOUNTING HOLE LOCATION

DRIVE COVER REMOVED



DETAIL A



DETAIL B

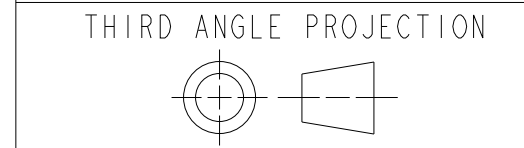
NOTES:
1. DIMENSIONS WITH "CG" REPRESENT THE CENTER OF GRAVITY LOCATION.

ALL UNDIMENSIONED GEOMETRIES ARE CONTROLLED BY THE CAD MODEL. IN CASE OF DIMENSION DISCREPANCY, CAD MODEL OVERRIDES.



STANDARD-SUBMITTAL PF755TS F-4

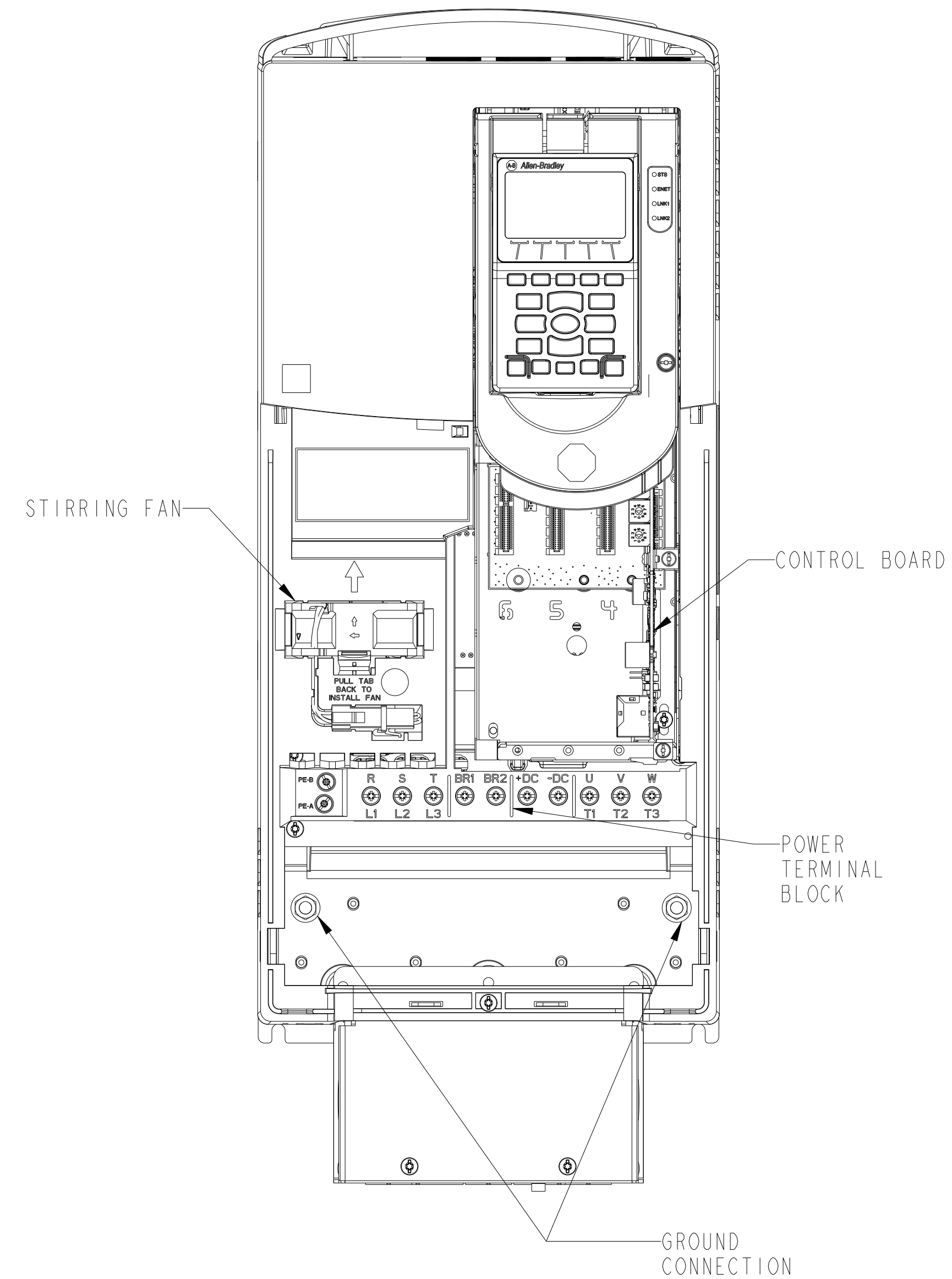
CONFIDENTIAL AND PROPRIETARY INFORMATION. THIS DOCUMENT CONTAINS CONFIDENTIAL AND PROPRIETARY INFORMATION OF ROCKWELL AUTOMATION, INC. AND MAY NOT BE USED, COPIED OR DISCLOSED TO OTHERS, EXCEPT WITH THE AUTHORIZED WRITTEN PERMISSION OF ROCKWELL AUTOMATION, INC.



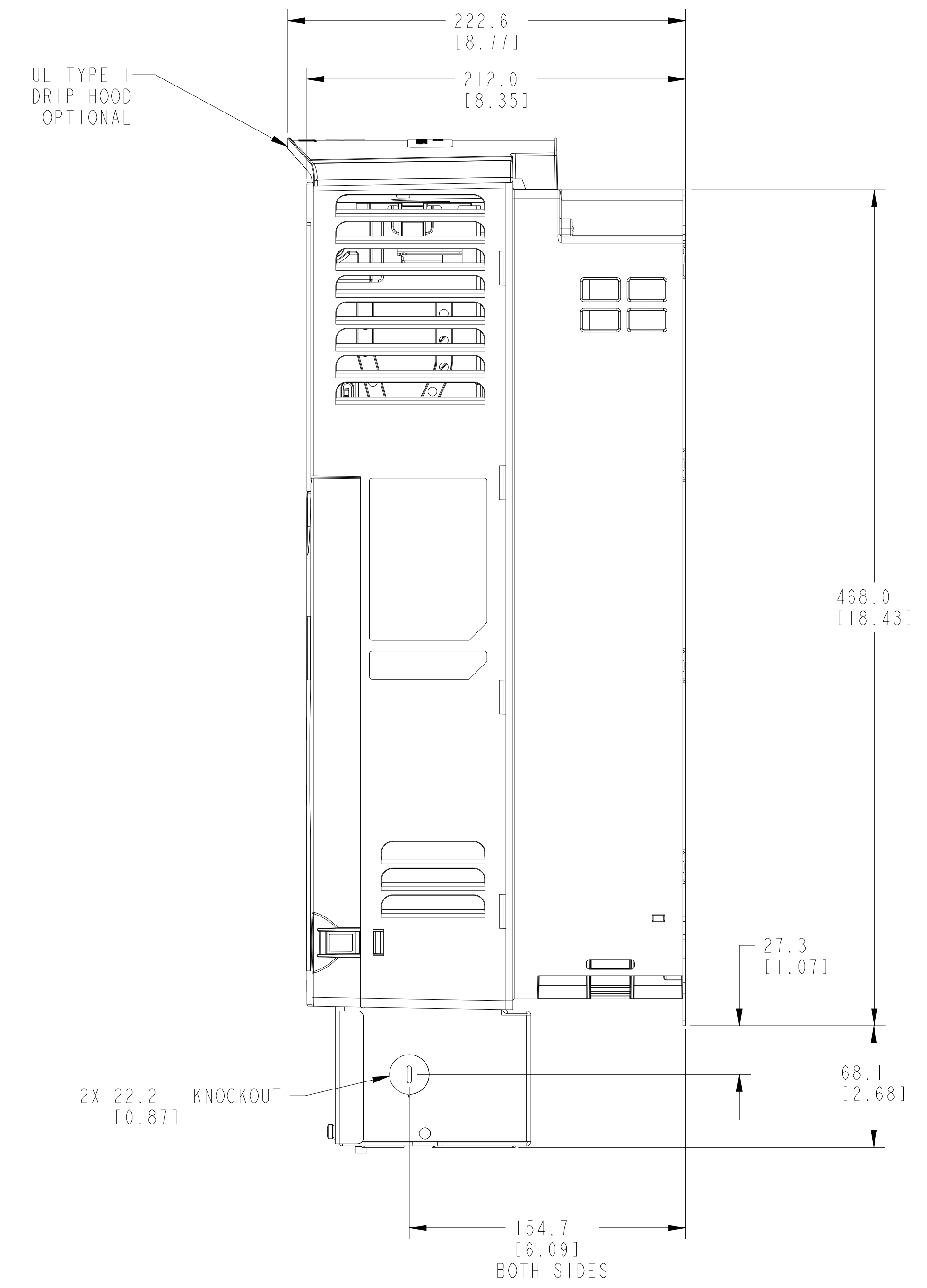
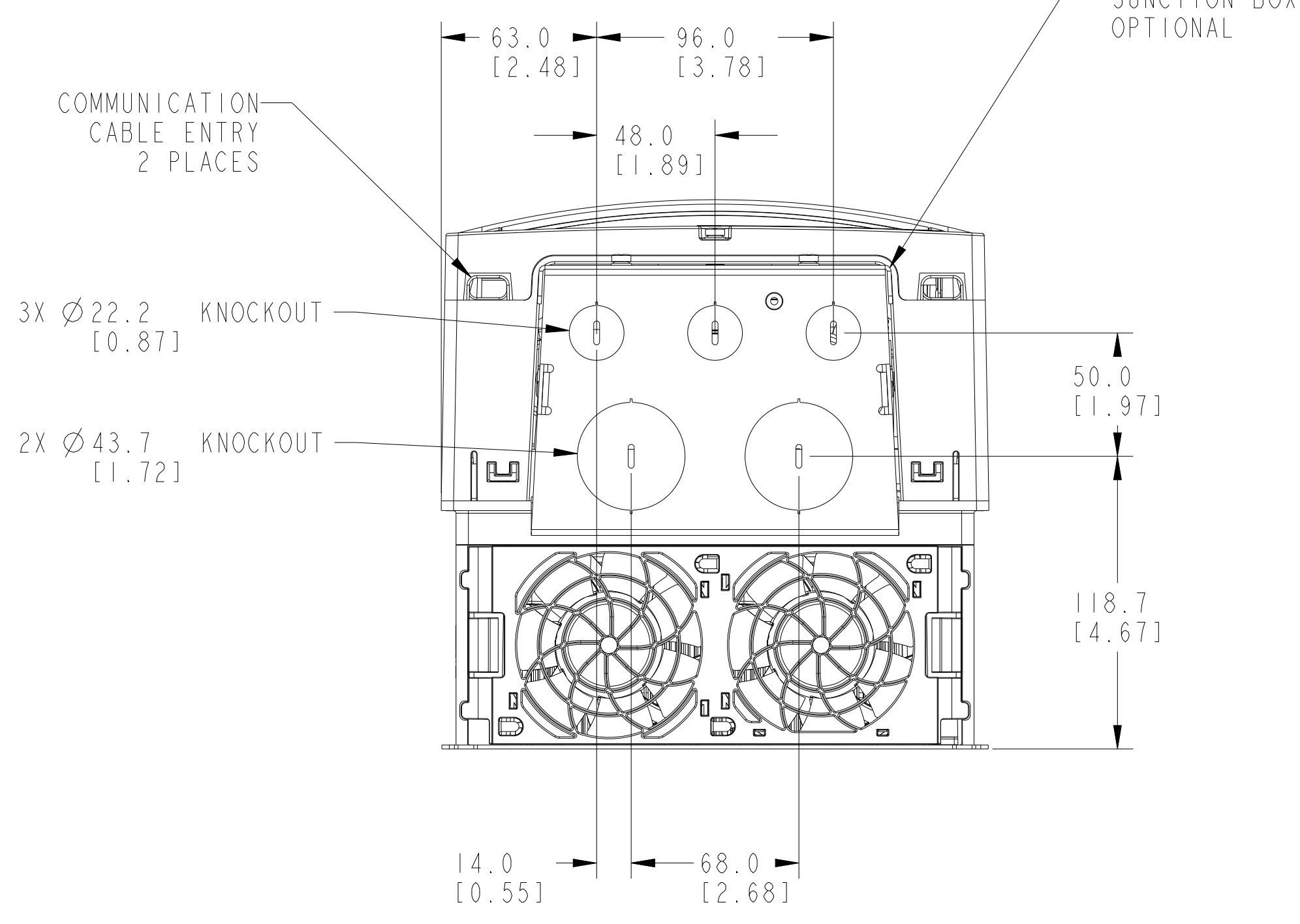
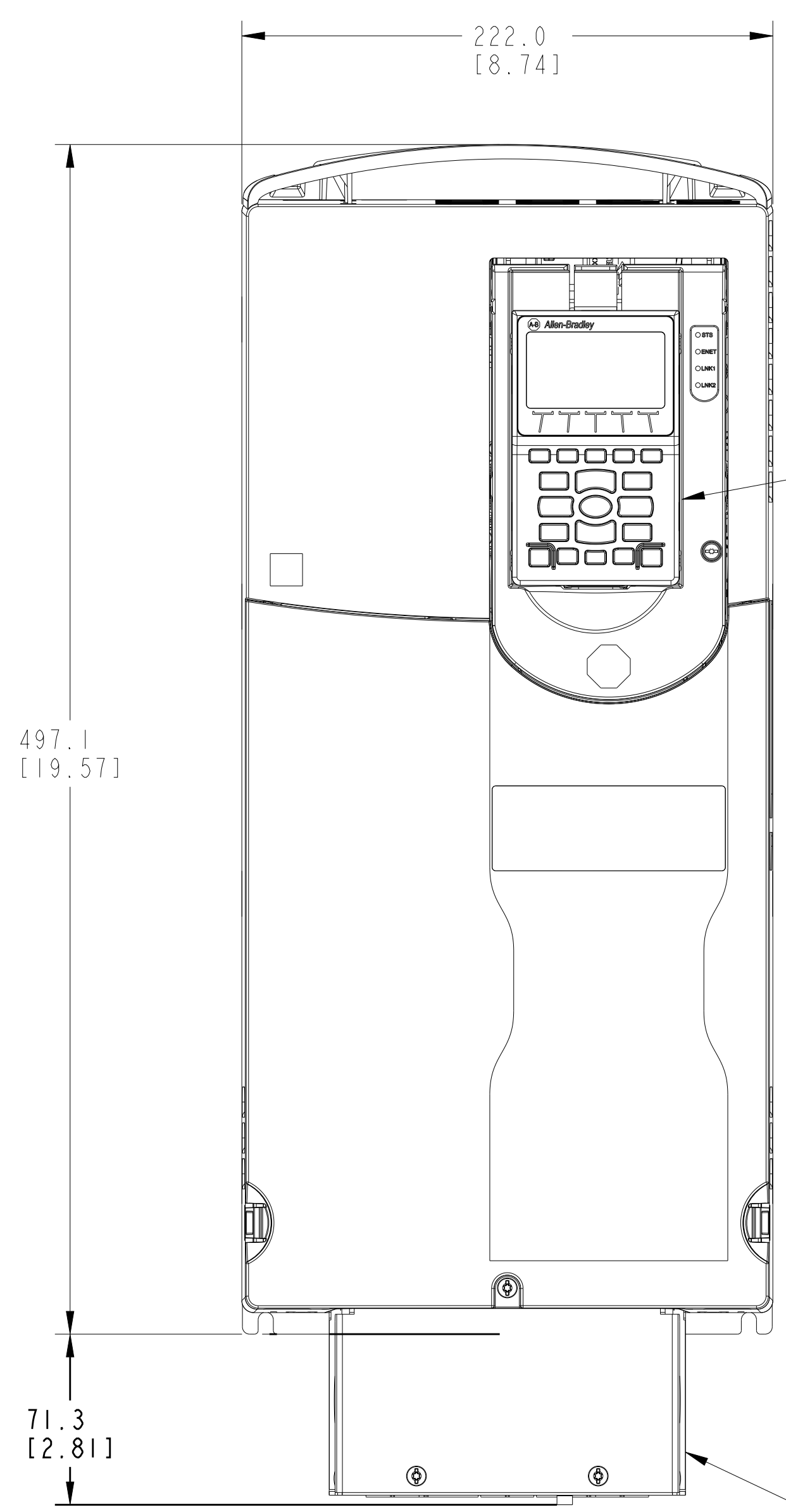
DESCRIPTION: STANDARD-SUBMITTAL PF755TS F-4
CREATED BY: BMACURA CHANGED BY: BMACURA

DATE: 2022-03-10 SHEET 2 OF 5
SIZE: D1R VER: 02
10005529525

TYPE I DRIVE



DRIVE COVER REMOVED



ALL UNDIMENSIONED GEOMETRIES ARE CONTROLLED BY THE CAD MODEL. IN CASE OF DIMENSION DISCREPANCY, CAD MODEL OVERRIDES.



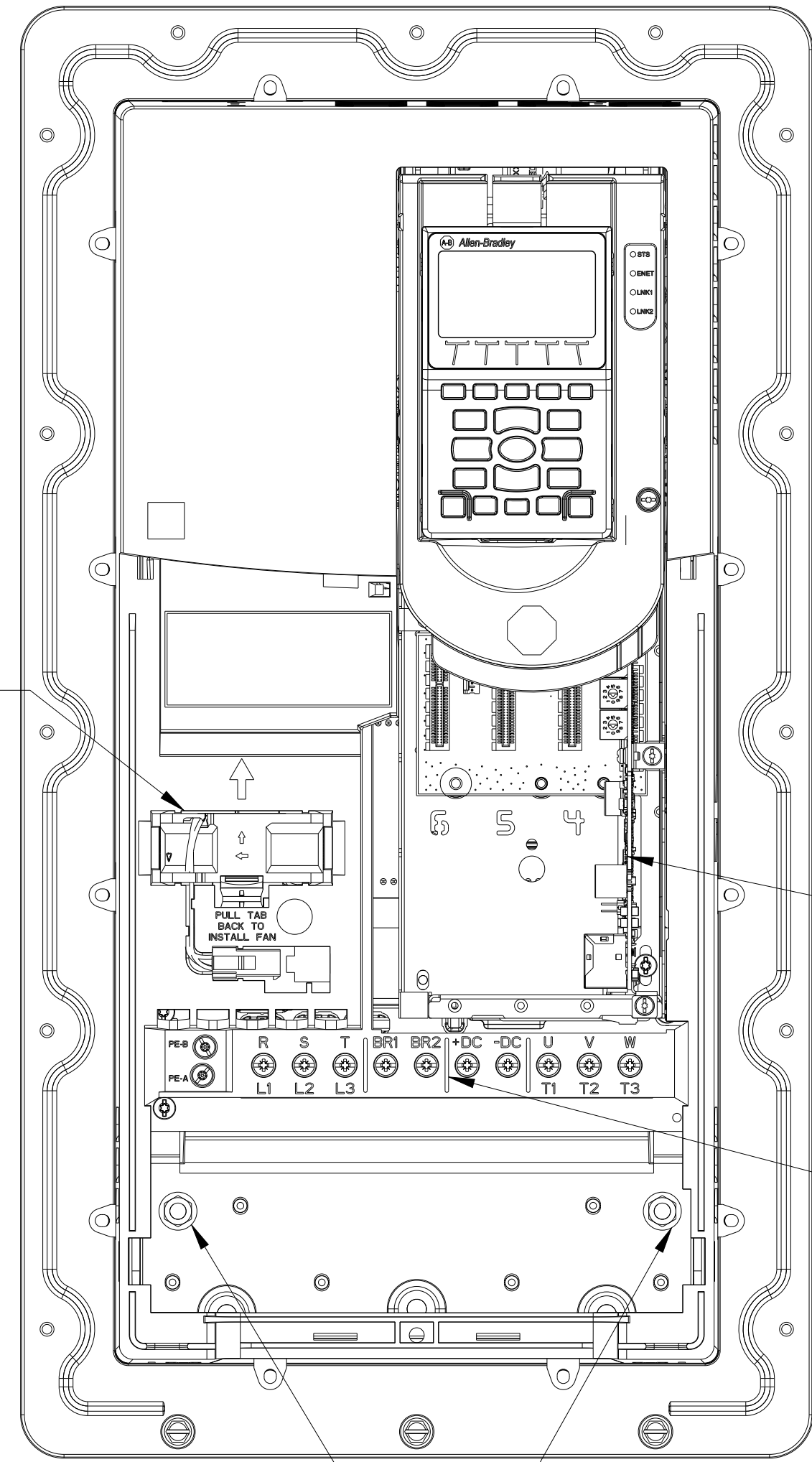
CONFIDENTIAL AND PROPRIETARY INFORMATION. THIS DOCUMENT CONTAINS CONFIDENTIAL AND PROPRIETARY INFORMATION OF ROCKWELL AUTOMATION, INC. AND MAY NOT BE USED, COPIED OR DISCLOSED TO OTHERS, EXCEPT WITH THE AUTHORIZED WRITTEN PERMISSION OF ROCKWELL AUTOMATION, INC.

THIRD ANGLE PROJECTION

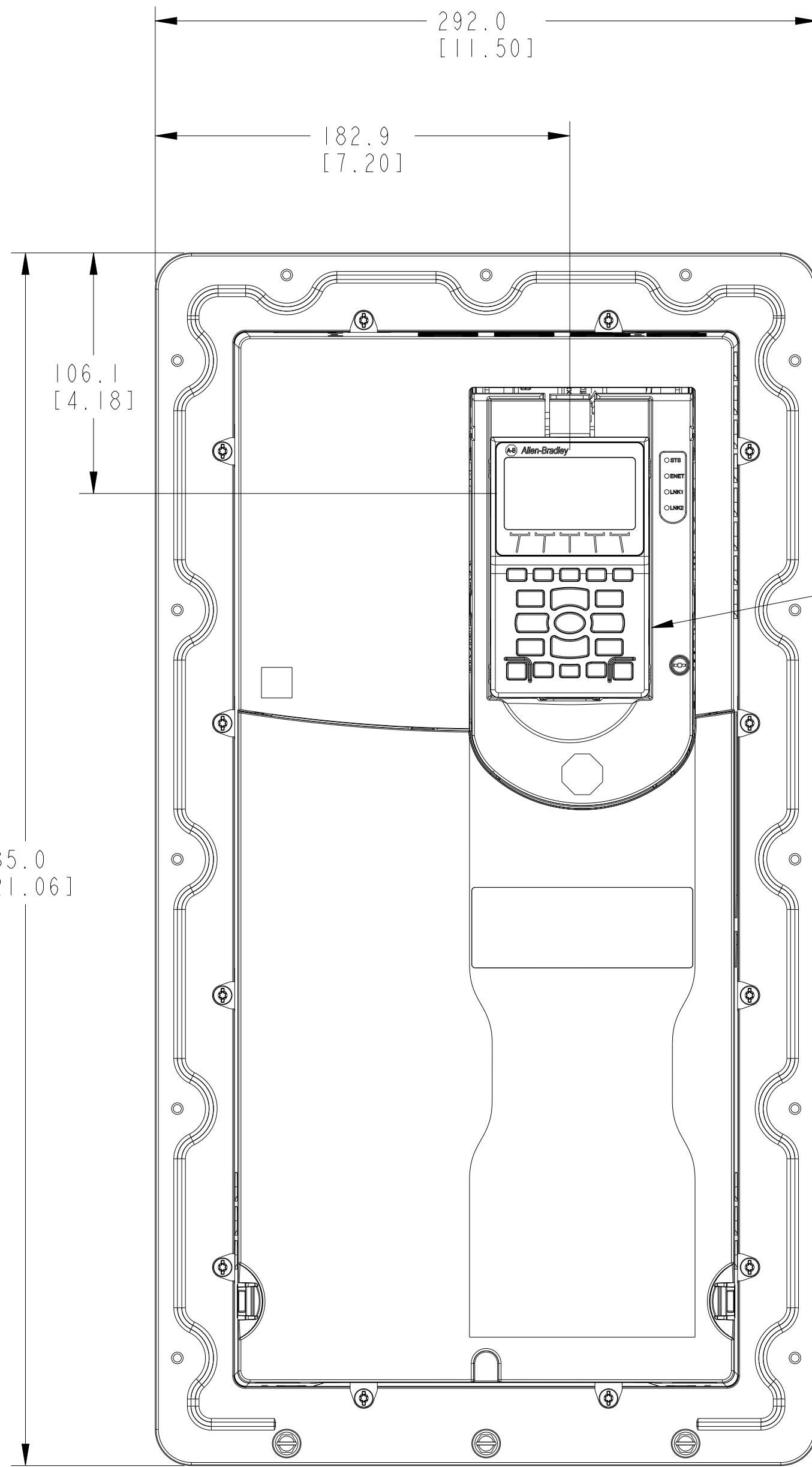
DESCRIPTION
STANDARD-SUBMITTAL PF755TS F-4
CREATED BY: BMACURA CHANGED BY: BMACURA

DATE: 2022-03-10	SHEET 3 OF 5
SIZE: D1R	VER
D 10005529525	02

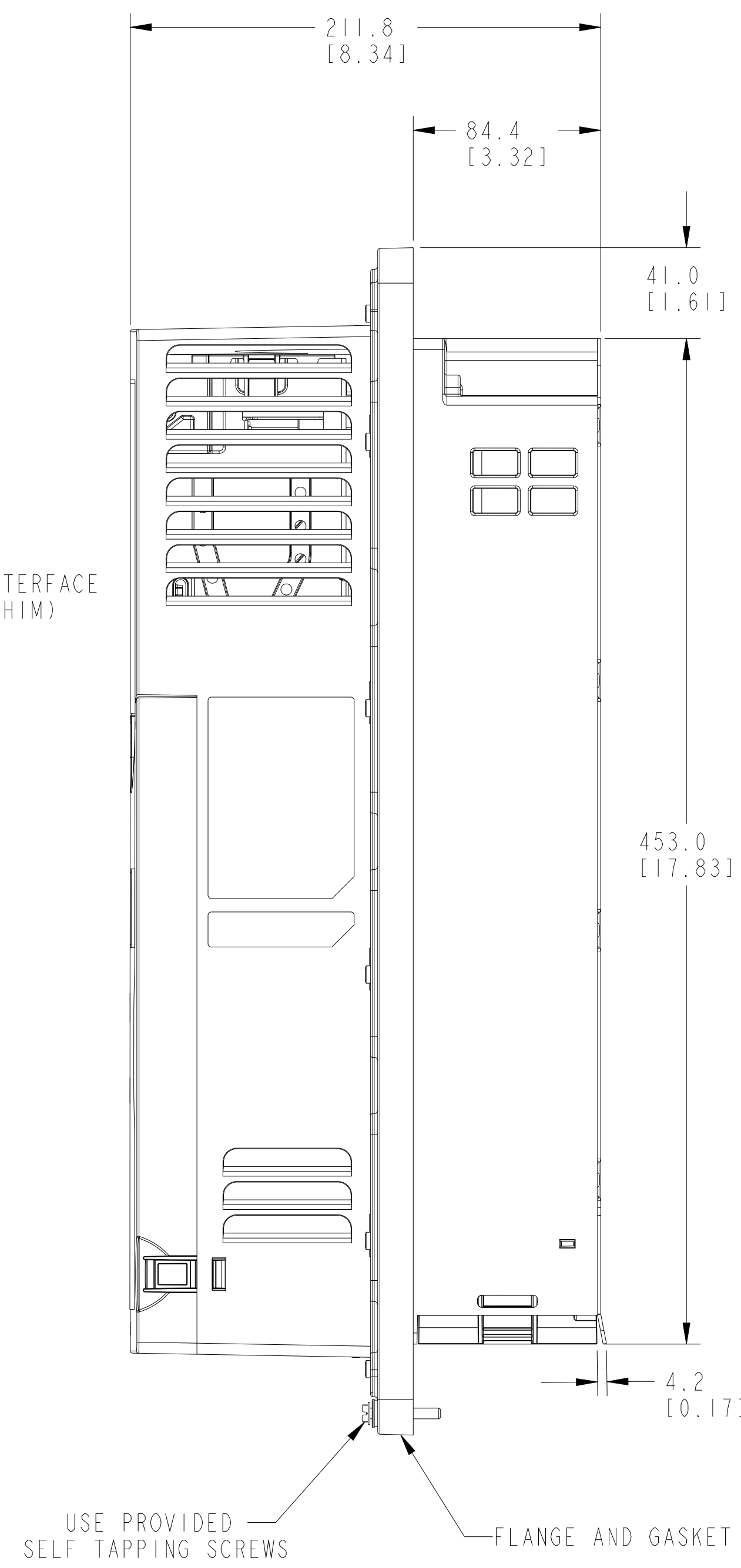
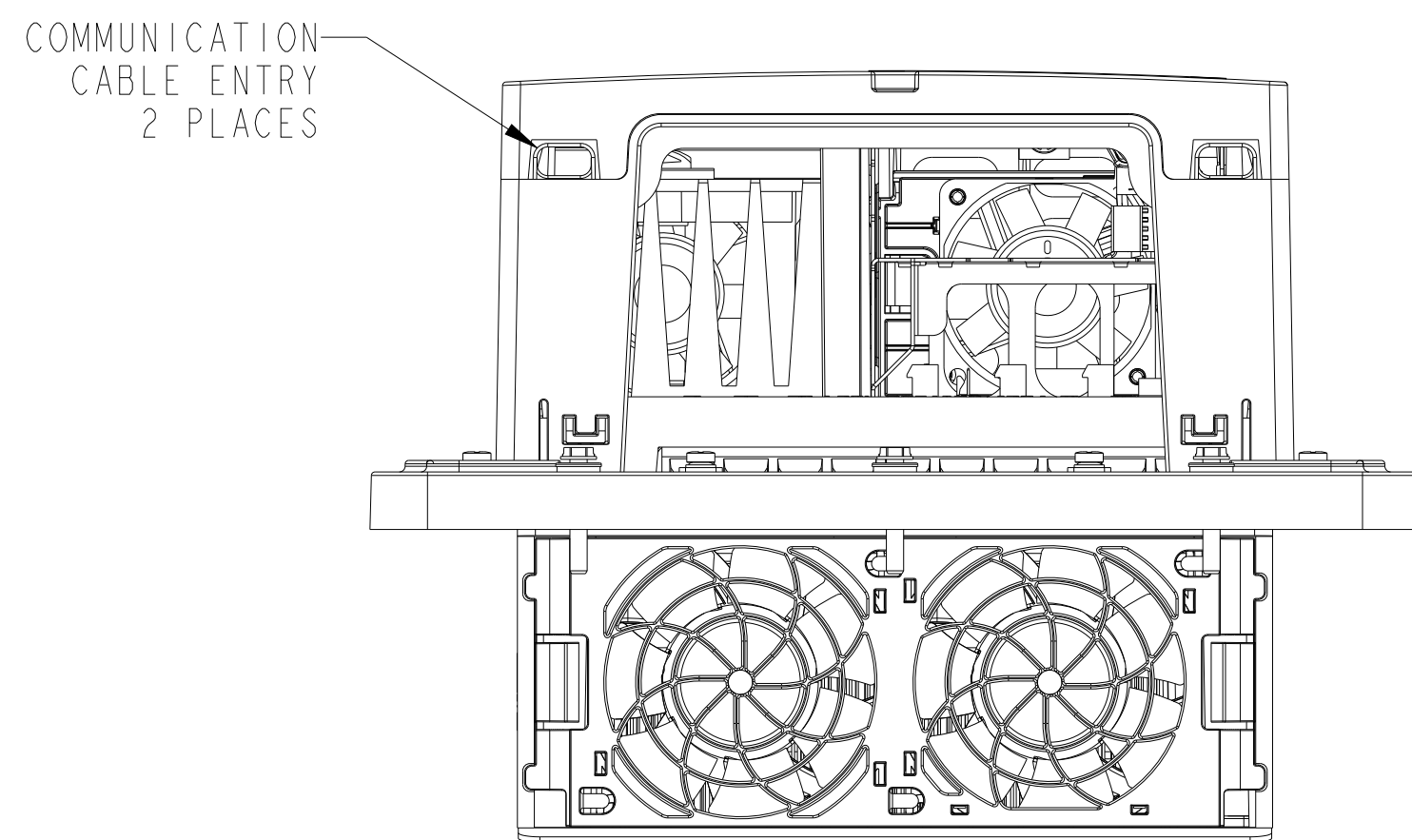
TYPE 4X FLANGE DRIVE



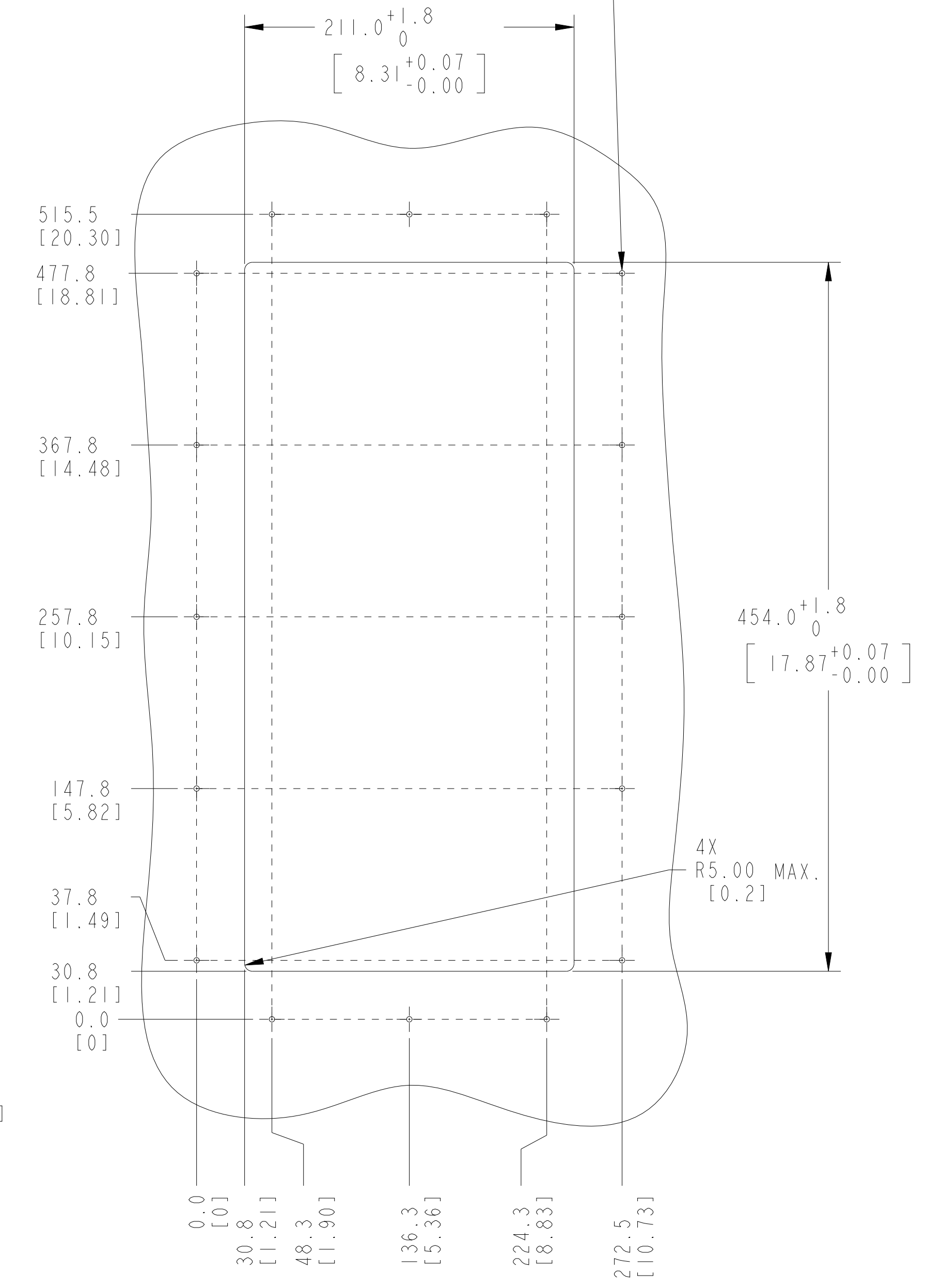
DRIVE COVER REMOVED



HUMAN INTERFACE MODULE (HIM) OPTIONAL



16 HOLES AT Ø4 [0.16] IN MINIMUM 14GA STEEL MOUNTING SURFACE. DEBURR PILOT HOLES AND DRIVE OPENING.



PANEL CUTOUT

NOTE:

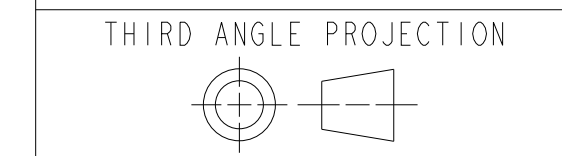
1. MOUNTING HARDWARE SHIPPED WITH DRIVE

ALL UNDIMENSIONED GEOMETRIES ARE CONTROLLED BY THE CAD MODEL. IN CASE OF DIMENSION DISCREPANCY, CAD MODEL OVERRIDES.



STANDARD-SUBMITTAL PF755TS F-4

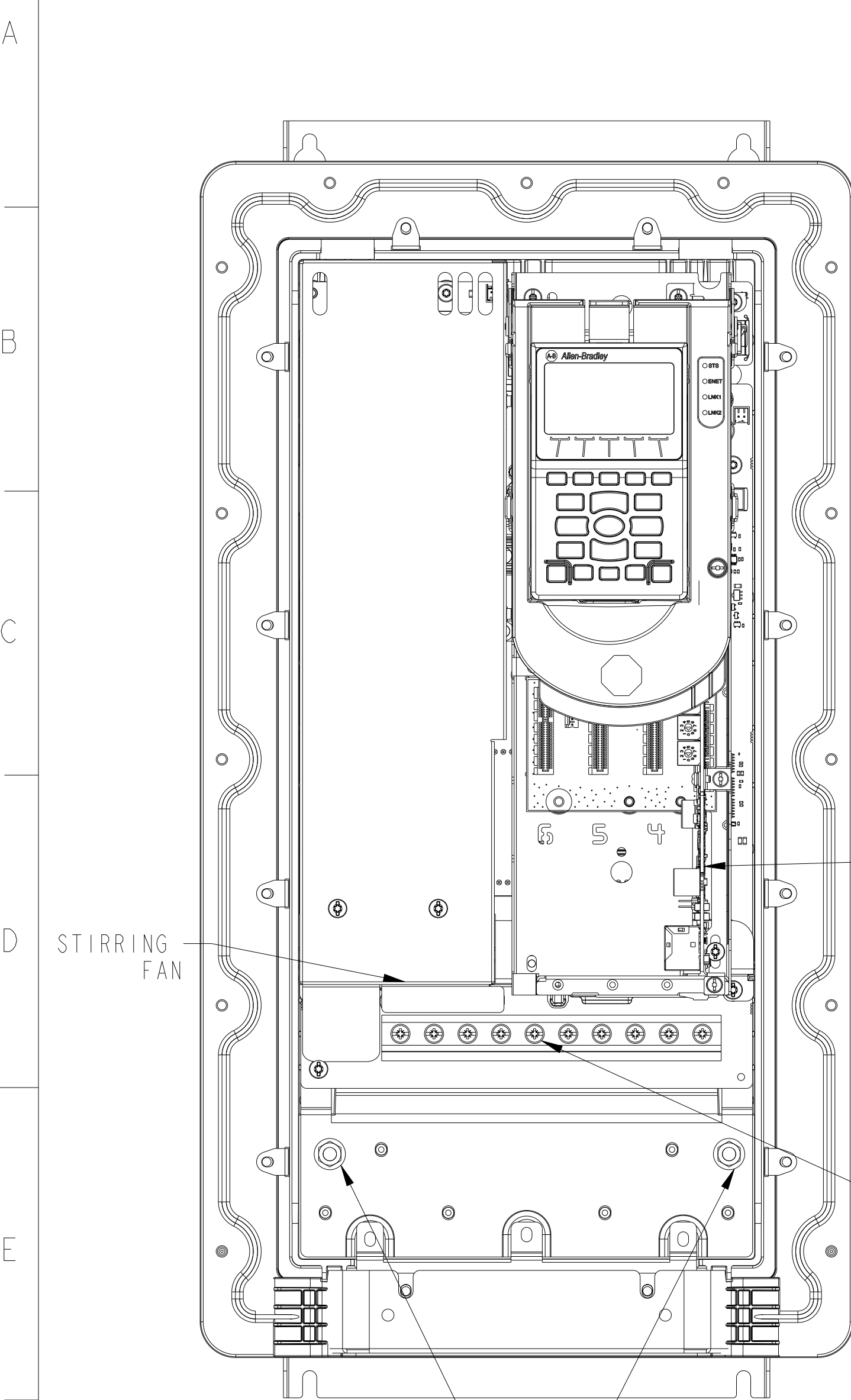
CONFIDENTIAL AND PROPRIETARY INFORMATION. THIS DOCUMENT CONTAINS CONFIDENTIAL AND PROPRIETARY INFORMATION OF ROCKWELL AUTOMATION, INC. AND MAY NOT BE USED, COPIED OR DISCLOSED TO OTHERS, EXCEPT WITH THE AUTHORIZED WRITTEN PERMISSION OF ROCKWELL AUTOMATION, INC.



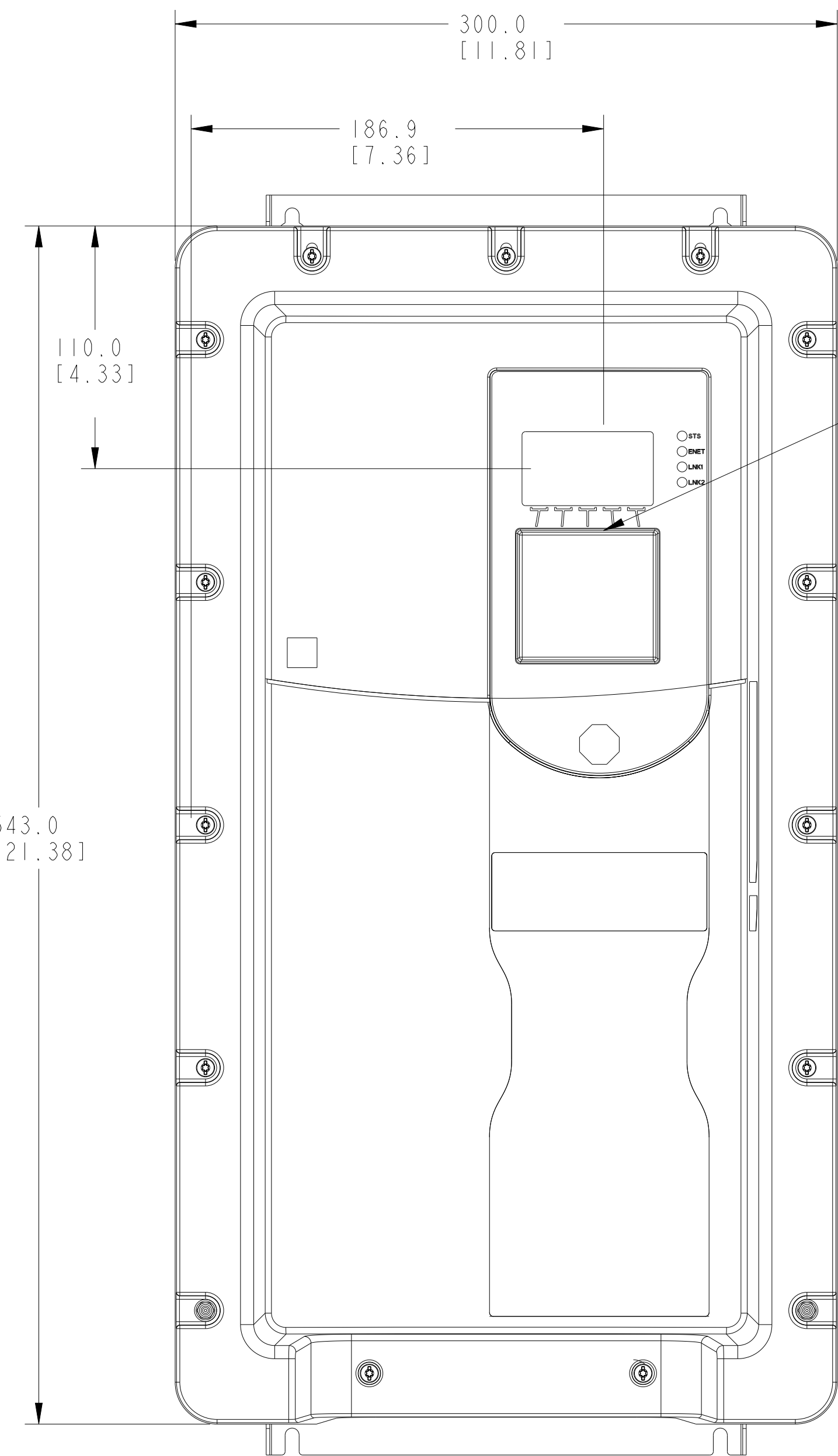
DESCRIPTION	DATE: 2022-03-10	SHEET 4 OF 5
CREATED BY: BMACURA	CHANGED BY: BMACURA	VER

SIZE	D	10005529525	02
------	---	-------------	----

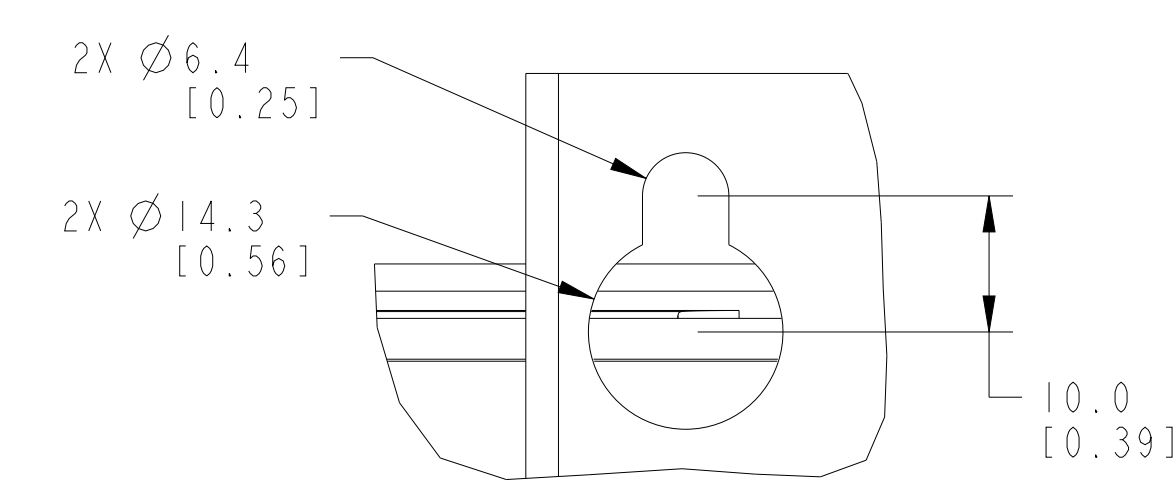
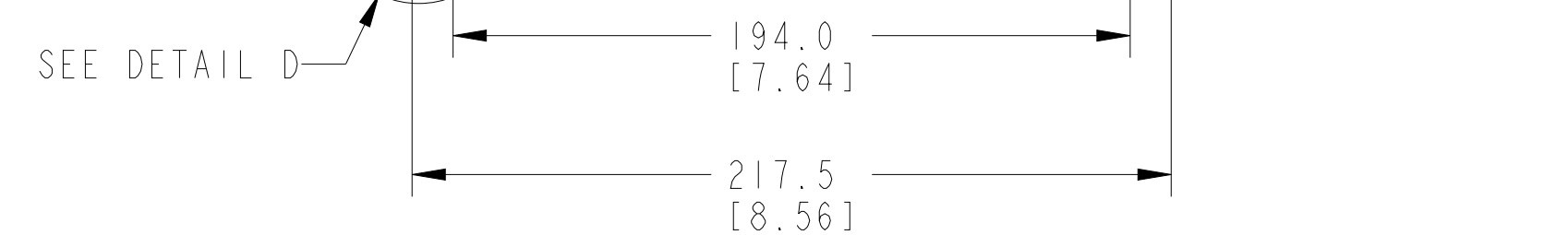
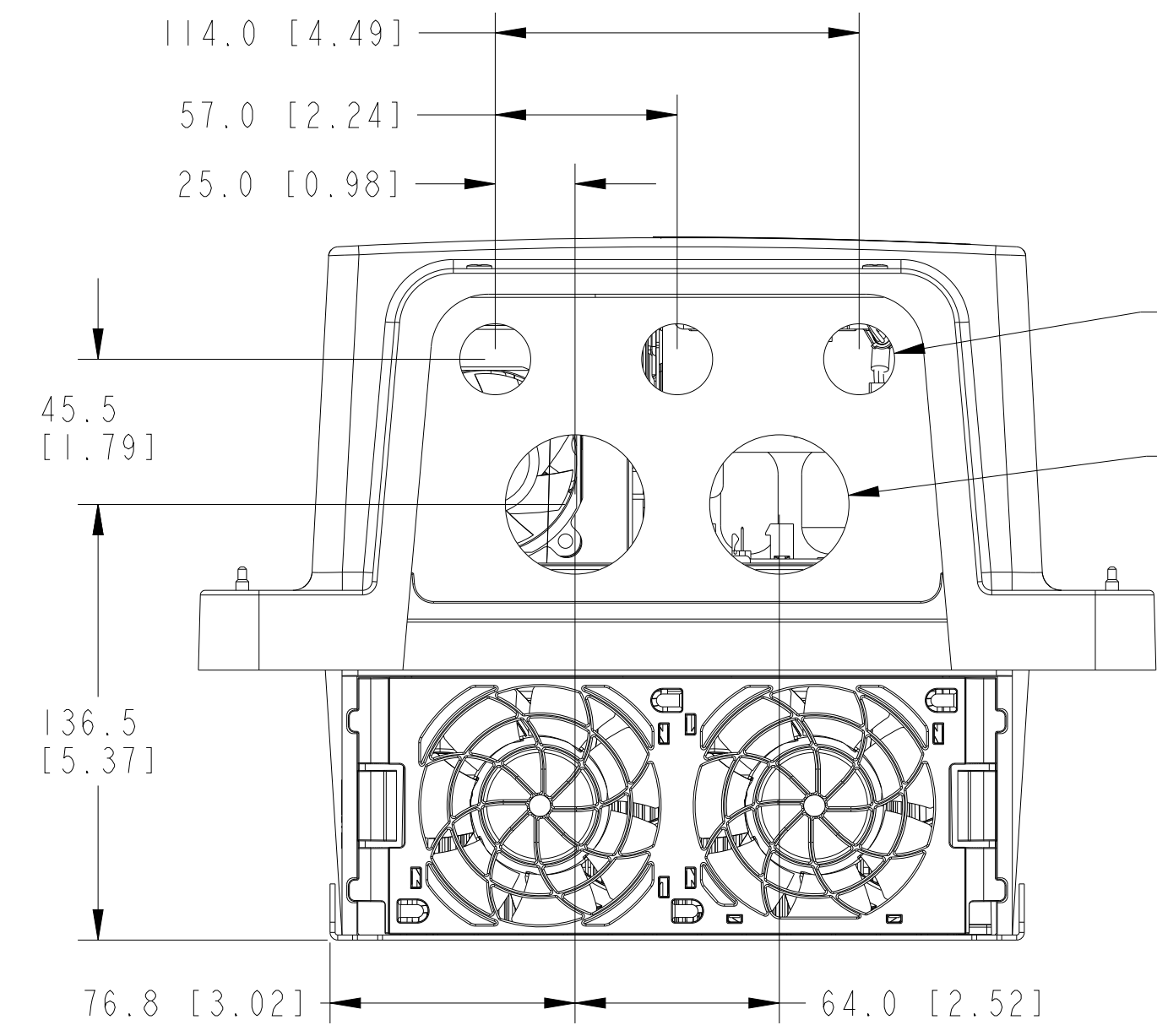
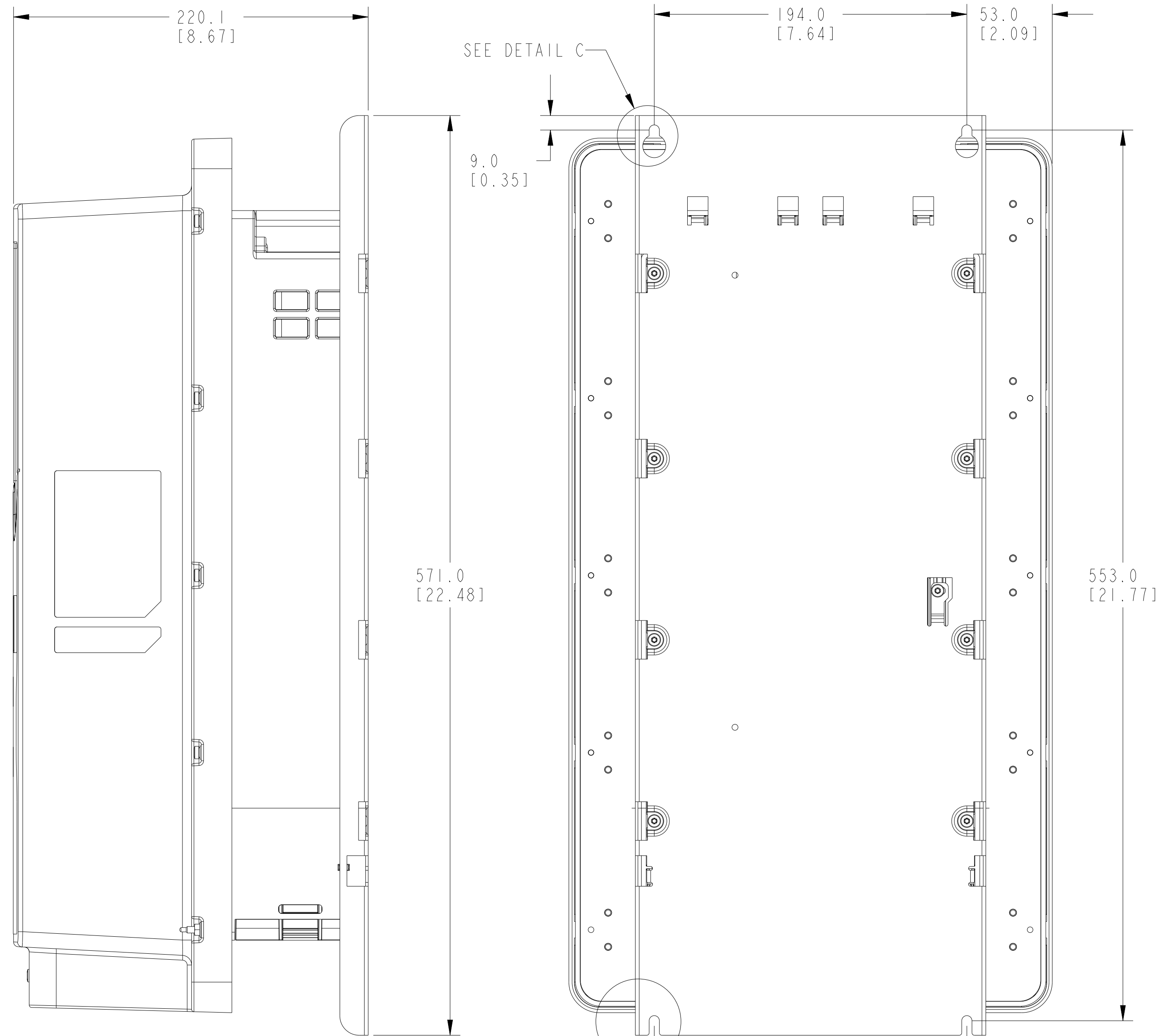
TYPE 12



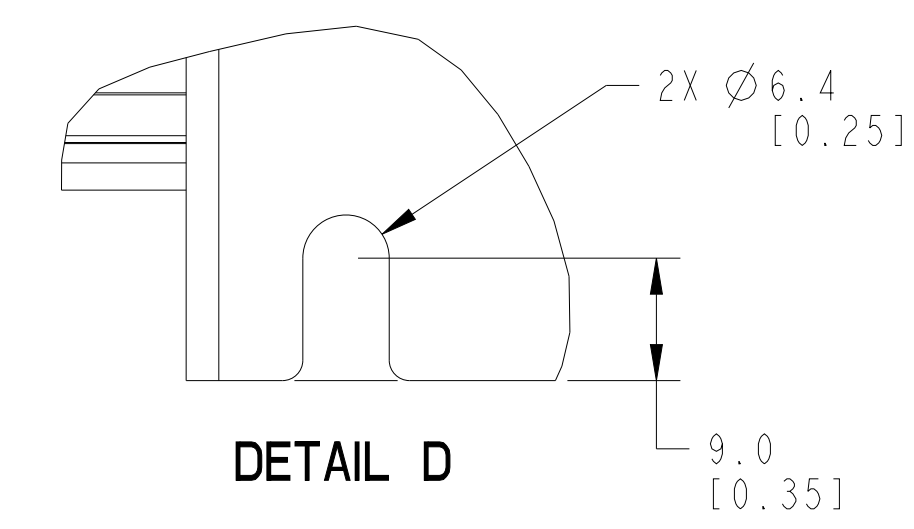
DRIVE COVER REMOVED



HUMAN INTERFACE MODULE (HIM) OPTIONAL



DETAIL C



DETAIL D

ALL UNDIMENSIONED GEOMETRIES ARE CONTROLLED BY THE CAD MODEL. IN CASE OF DIMENSION DISCREPANCY, CAD MODEL OVERRIDES.

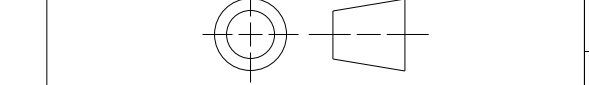


CONFIDENTIAL AND PROPRIETARY INFORMATION. THIS DOCUMENT CONTAINS CONFIDENTIAL AND PROPRIETARY INFORMATION OF ROCKWELL AUTOMATION, INC. AND MAY NOT BE USED, COPIED OR DISCLOSED TO OTHERS, EXCEPT WITH THE AUTHORIZED WRITTEN PERMISSION OF ROCKWELL AUTOMATION, INC.

THIRD ANGLE PROJECTION

STANDARD-SUBMITTAL PF755TS F-4

DATE: 2022-03-10 SHEET 5 OF 5



CREATED BY: BMACURA CHANGED BY: BMACURA

SIZE D1R 10005529525 VER 02