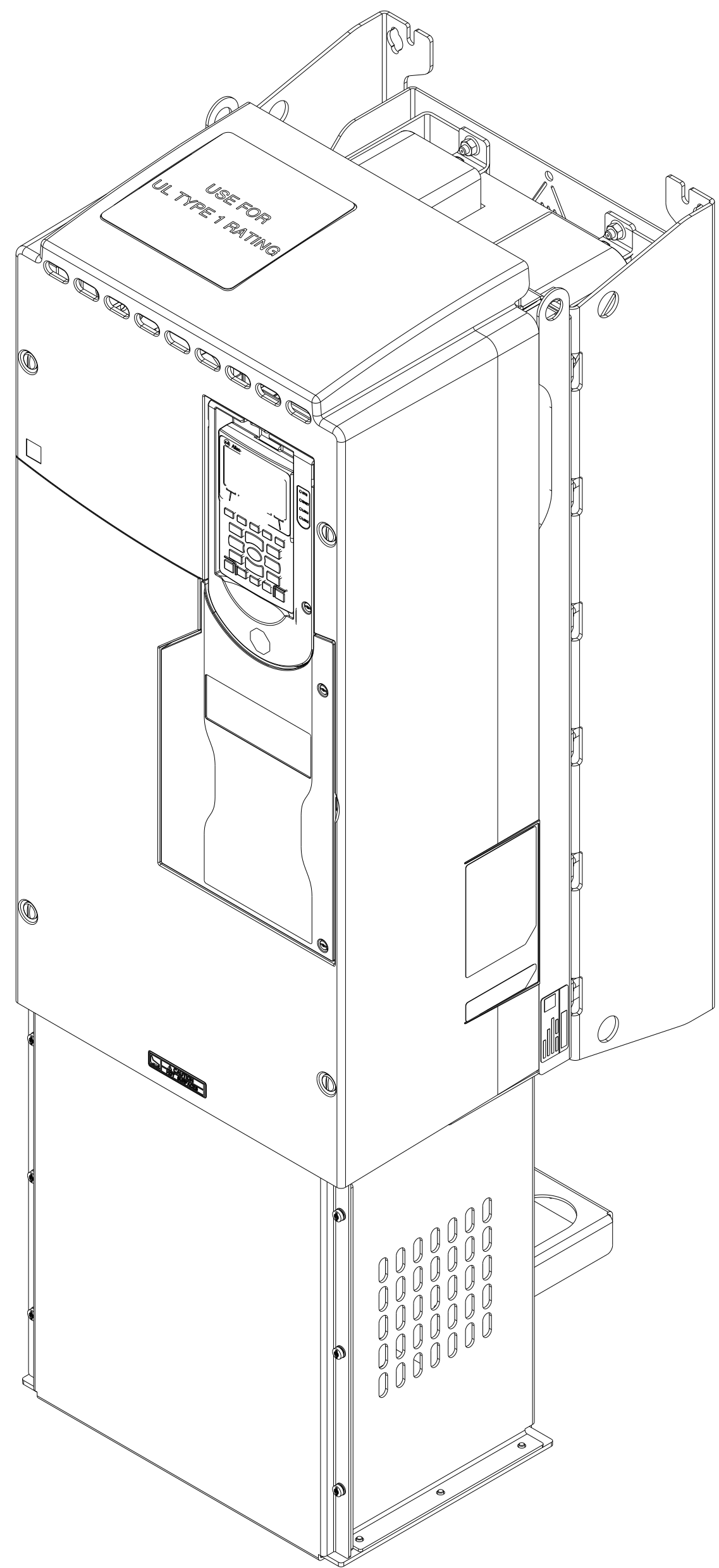
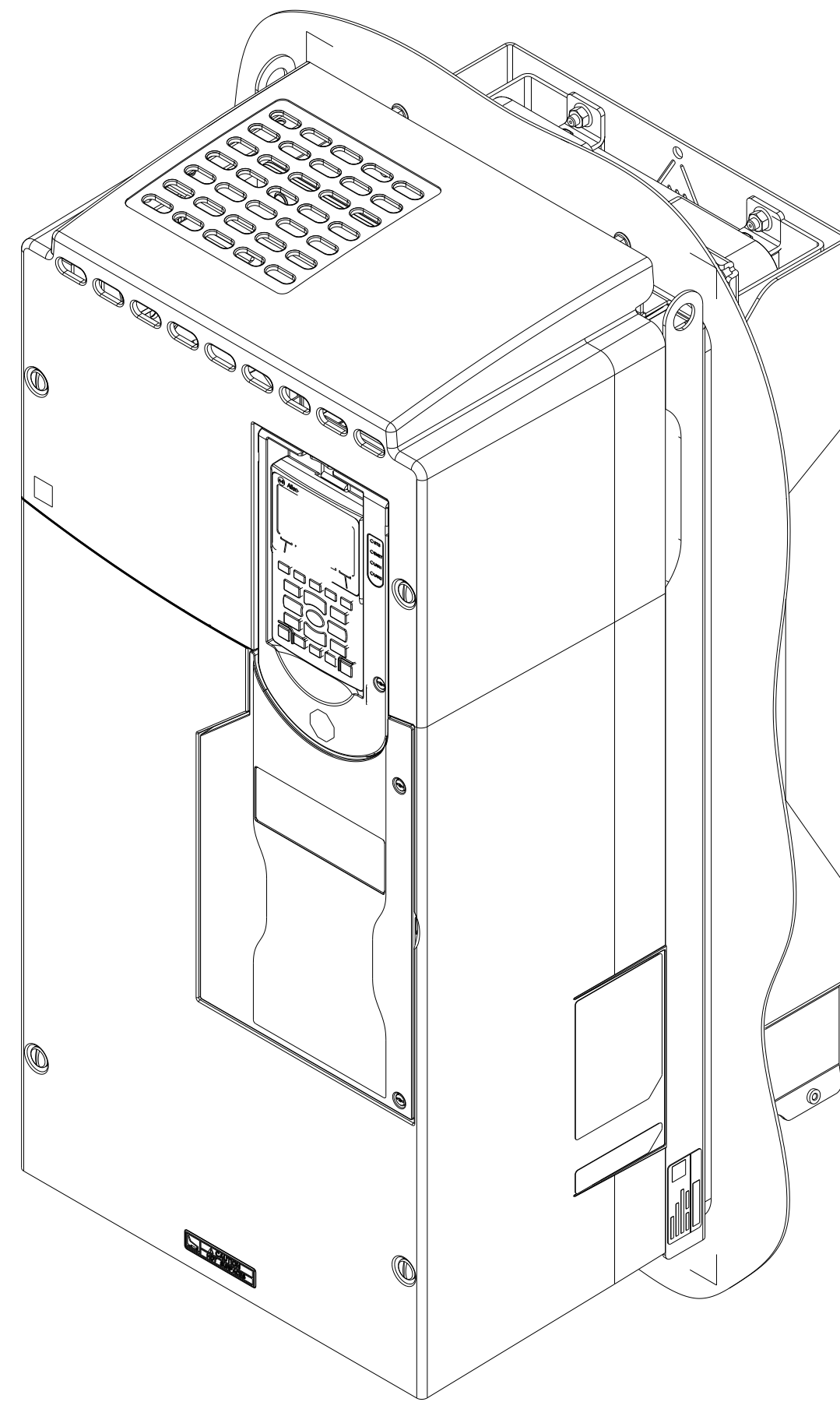


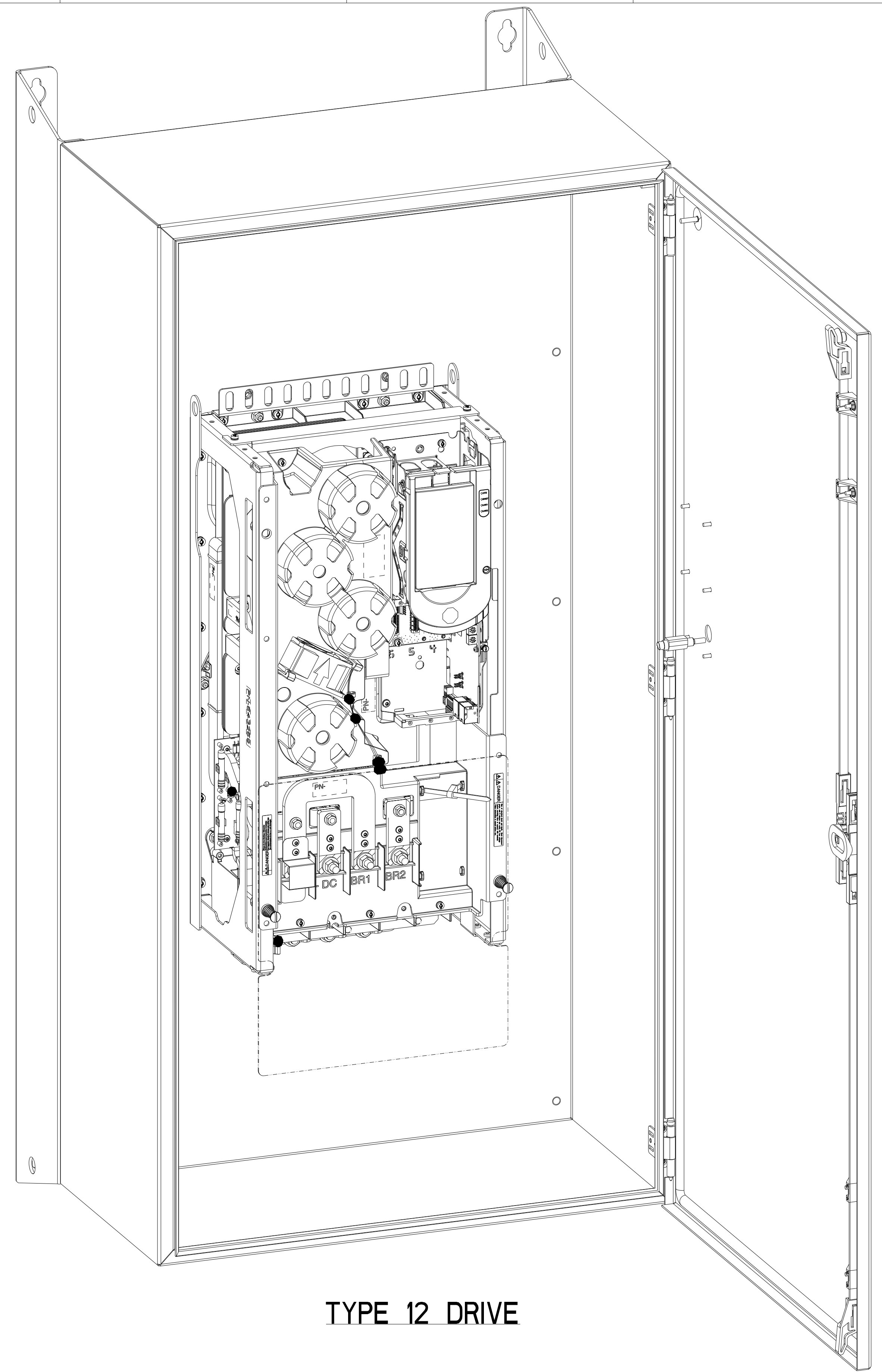
OPEN DRIVE



TYPE 1 DRIVE
AFTER INSTALLATION
OF THE TYPE 1 KIT



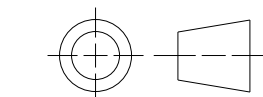
TYPE 4X
FLANGE DRIVE
AFTER INSTALLATION
OF THE FLANGE KIT



TYPE 12 DRIVE

ALL UNDIMENSIONED GEOMETRIES
ARE CONTROLLED BY THE CAD
MODEL. IN CASE OF DIMENSION
DISCREPANCY, CAD MODEL
OVERRIDES.

THIRD ANGLE PROJECTION



STANDARD-SUBMITTAL PF755TS F-6

CREATED BY: NDELEO

CHANGED BY: BMACURA

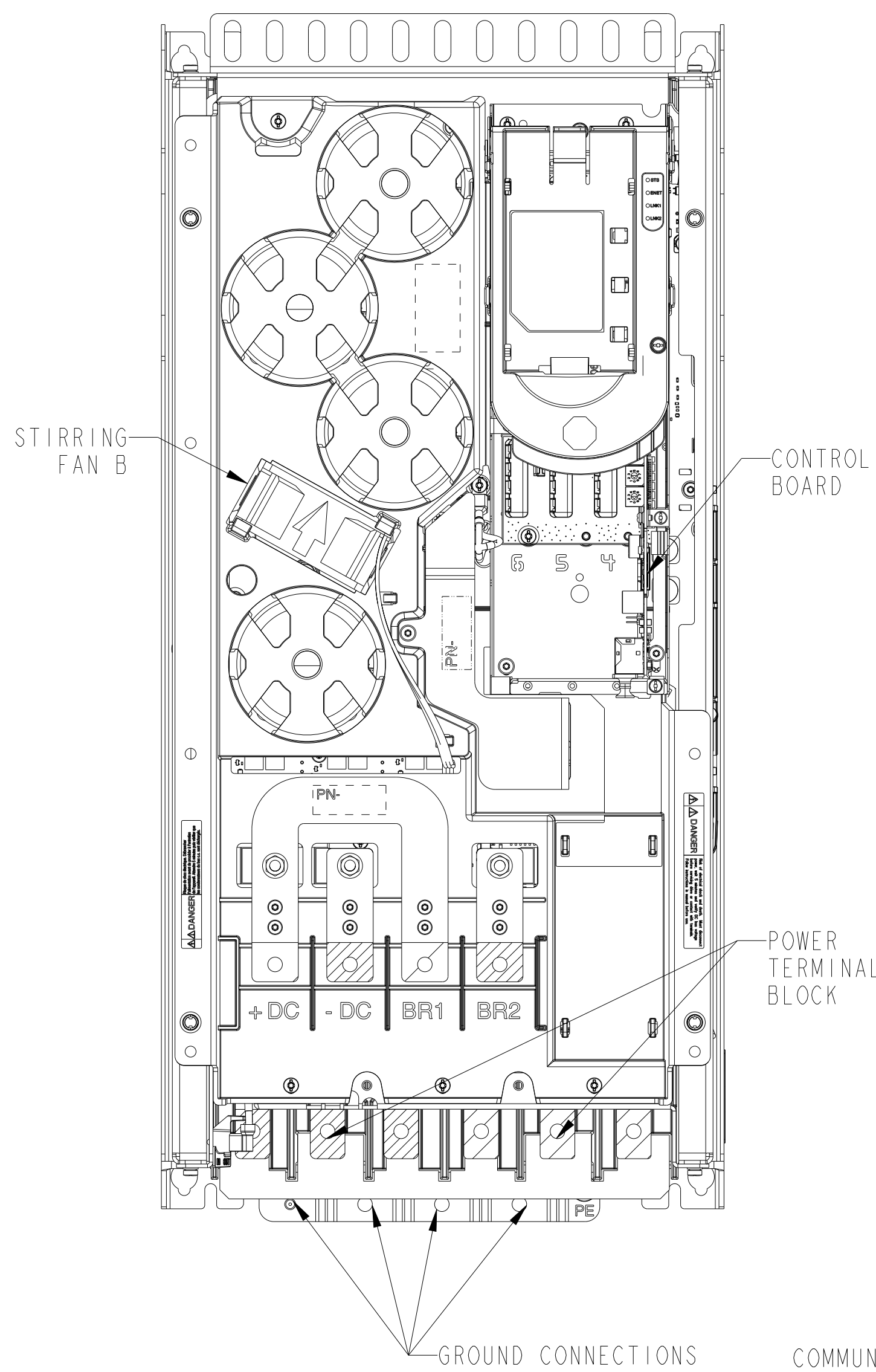
CONFIDENTIAL AND PROPRIETARY INFORMATION.
THIS DOCUMENT CONTAINS CONFIDENTIAL AND PROPRIETARY
INFORMATION OF ROCKWELL AUTOMATION, INC. AND MAY
NOT BE USED, COPIED OR DISCLOSED TO OTHERS, EXCEPT
WITH THE AUTHORIZED WRITTEN PERMISSION OF ROCKWELL
AUTOMATION, INC.

DATE: 2022-03-08 SHEET 1 OF 6

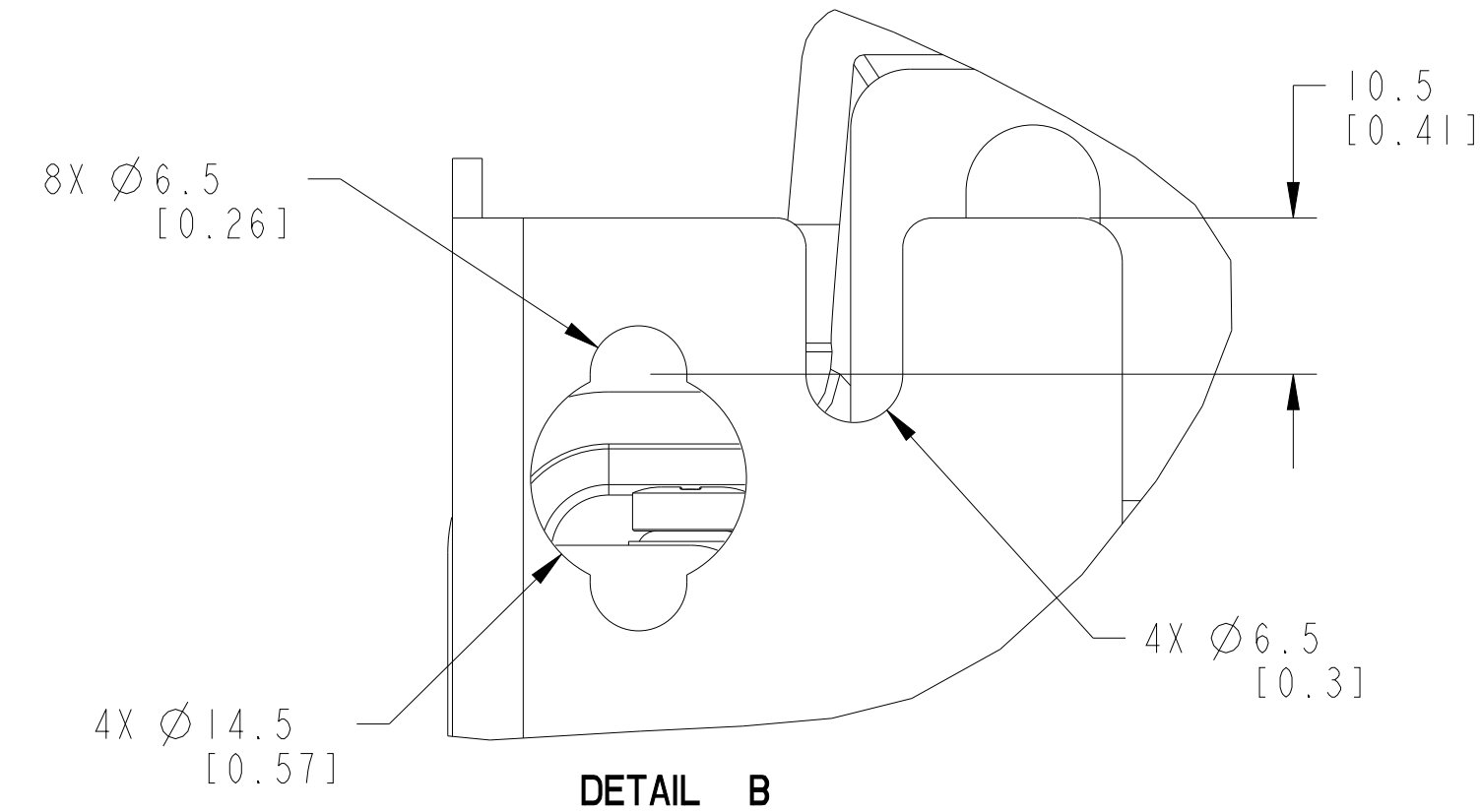
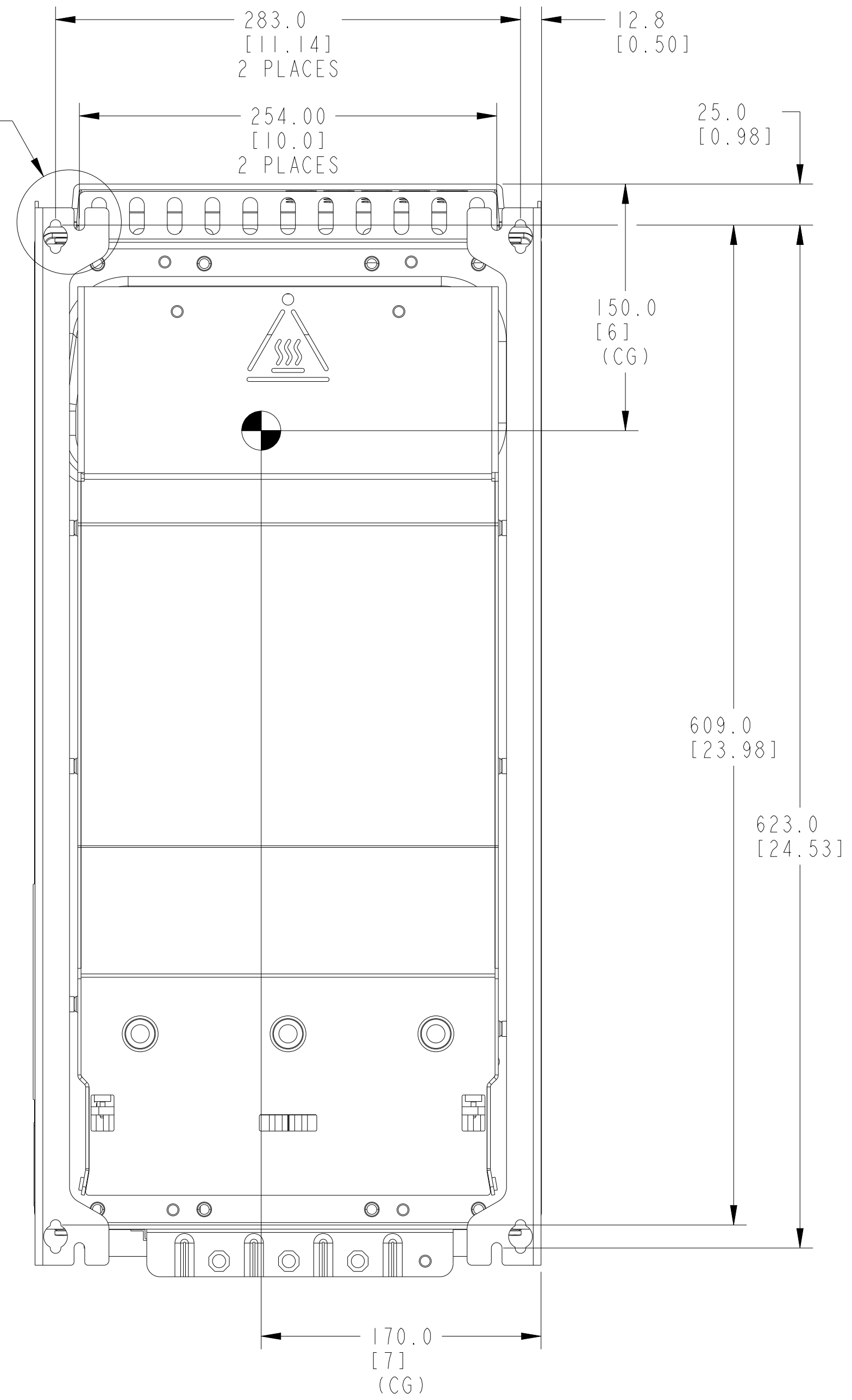
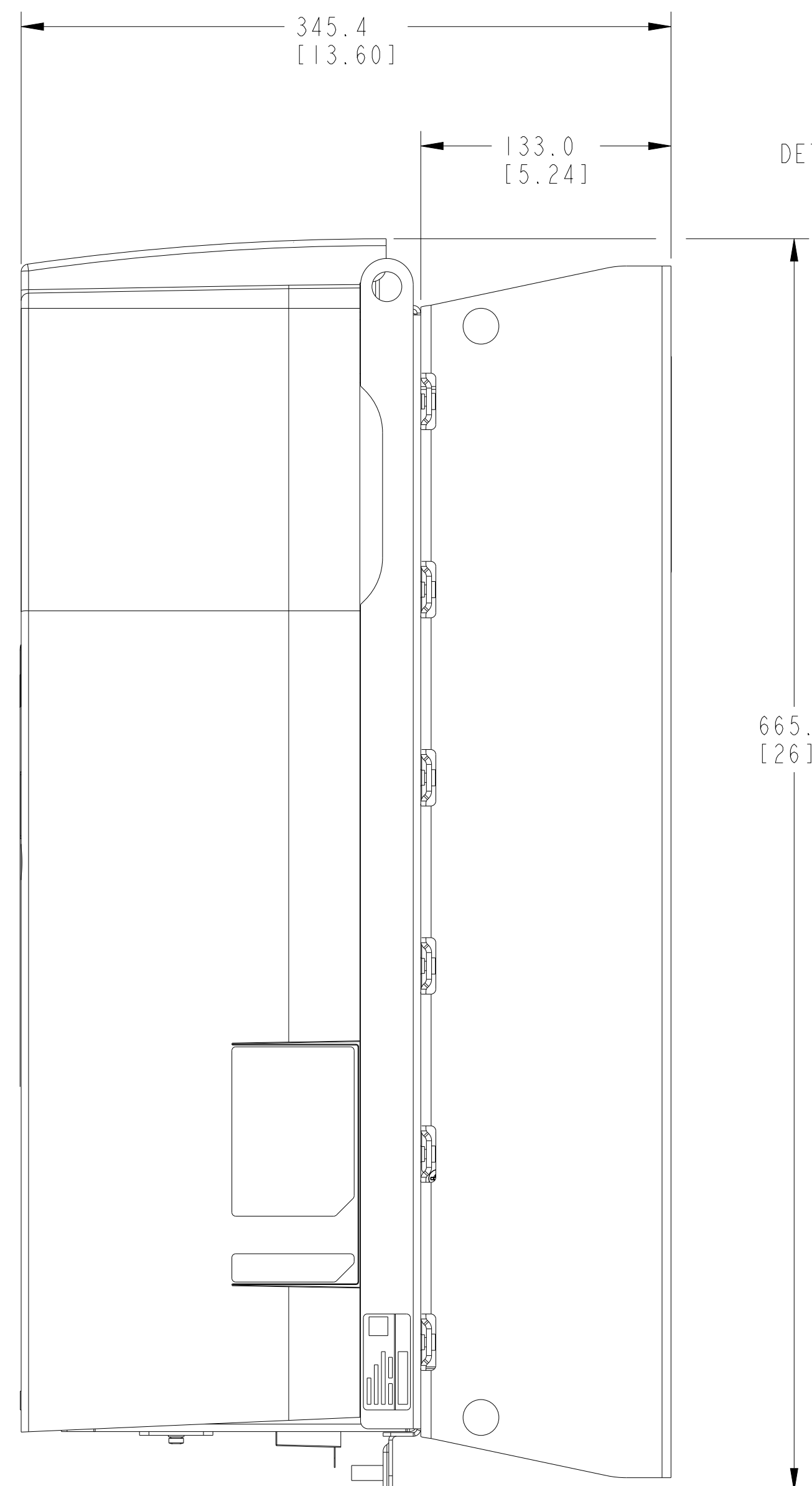
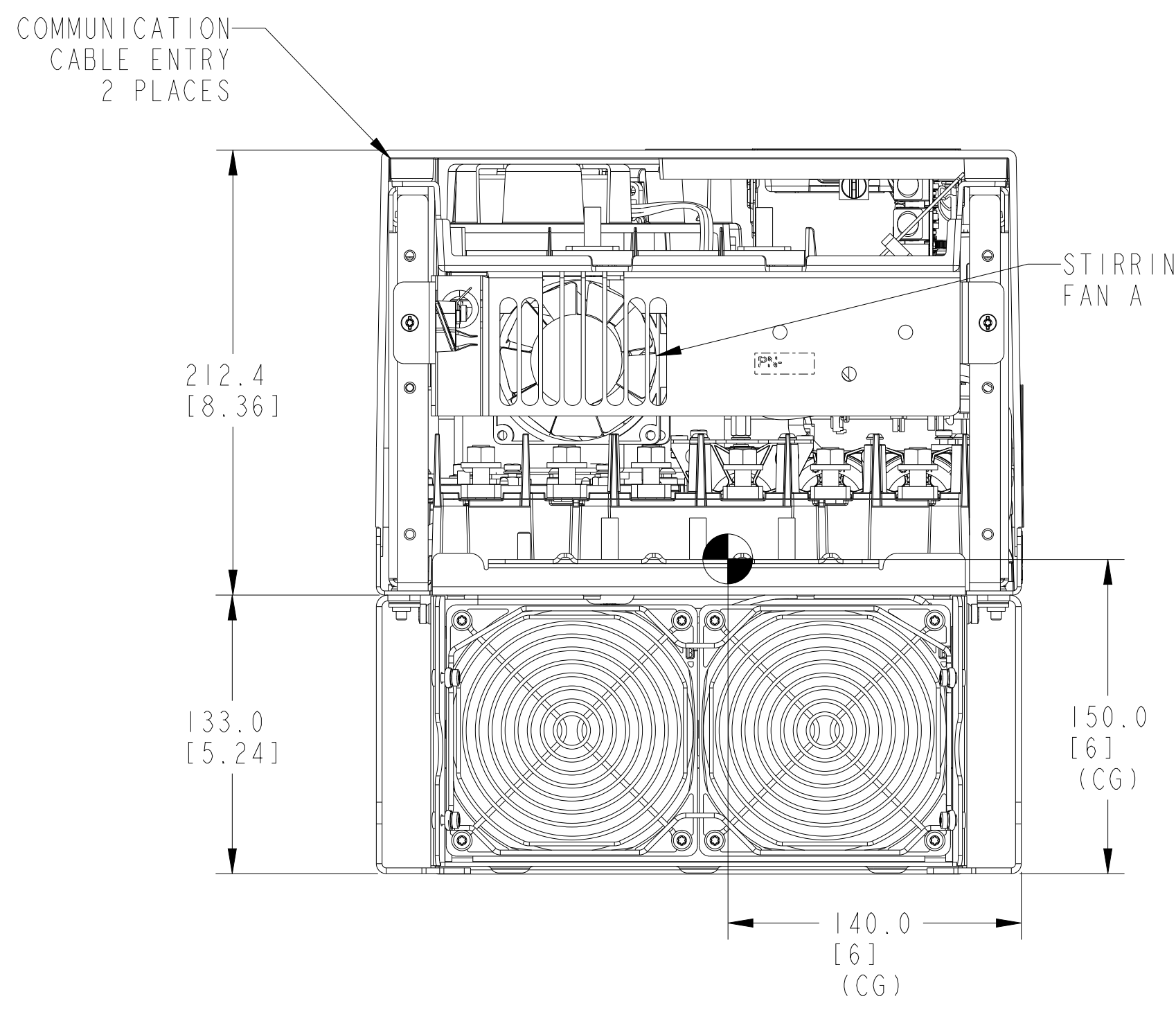
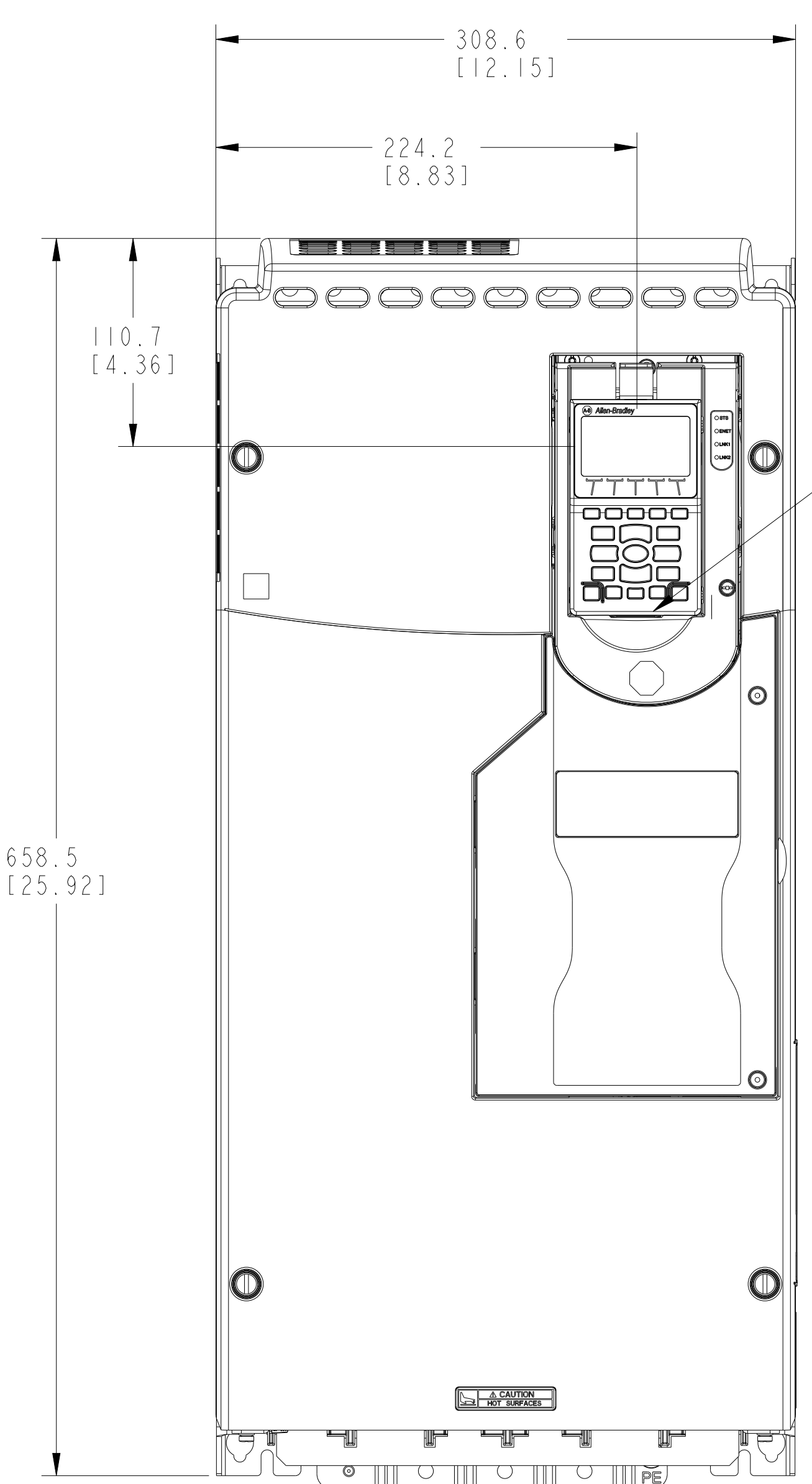
SIZE: D1R VER:

D 10005452022 01

OPEN DRIVE



DRIVE COVER REMOVED



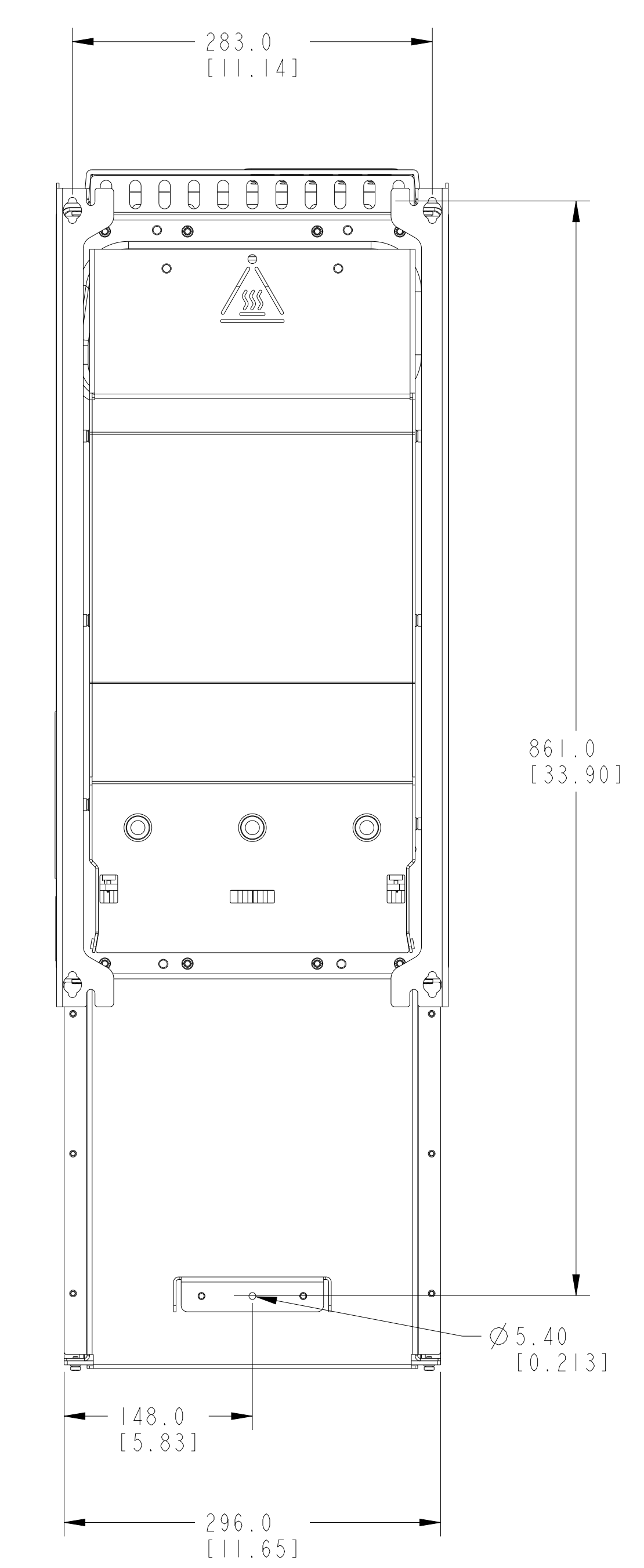
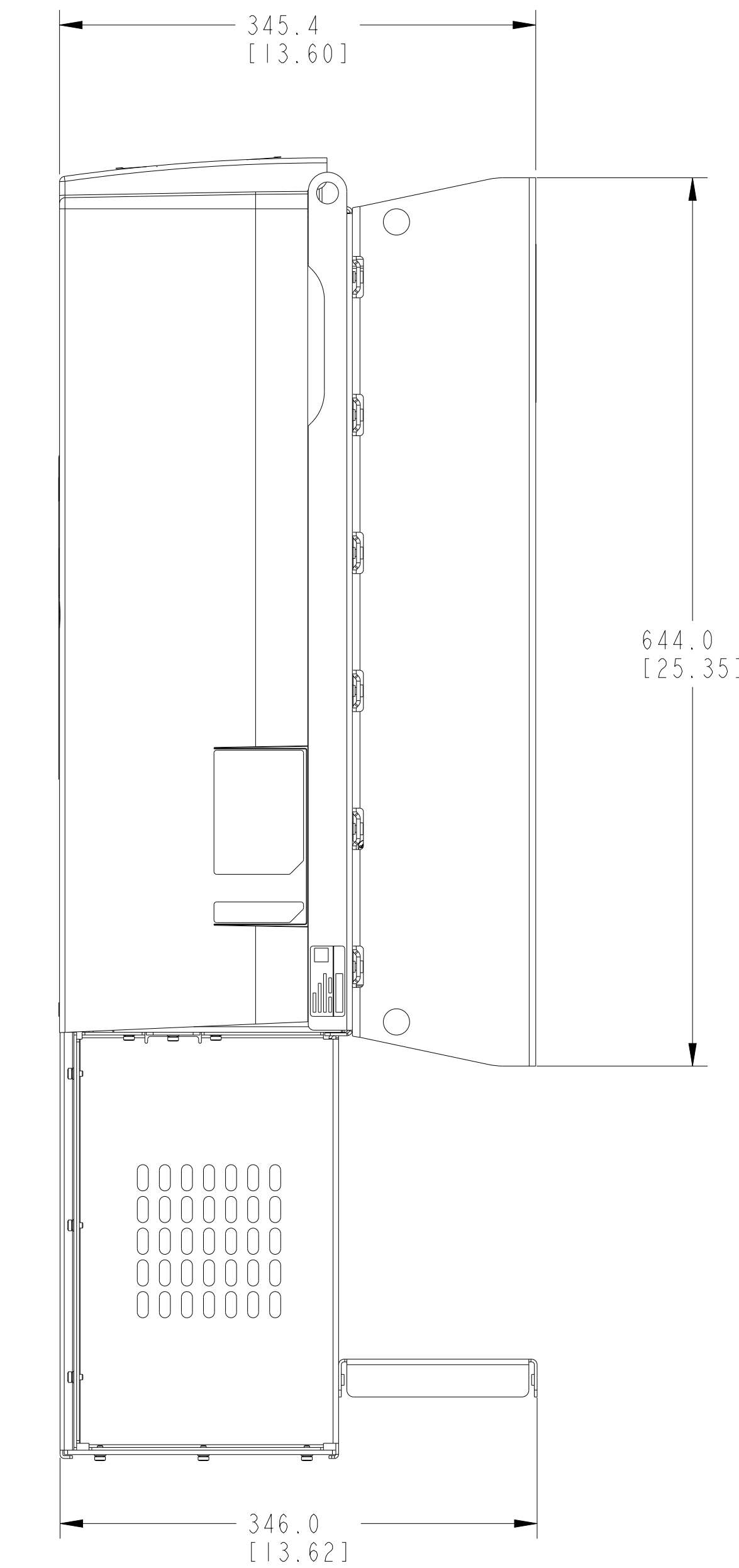
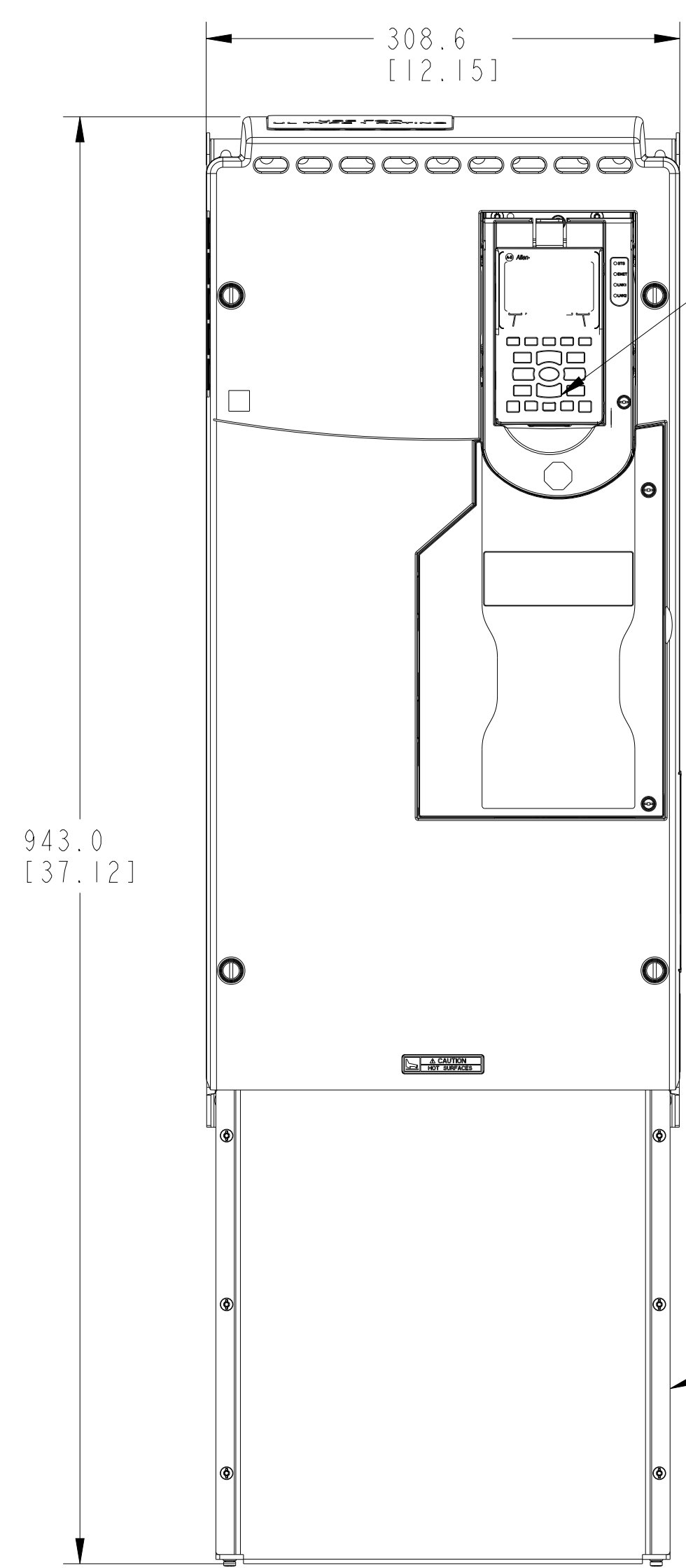
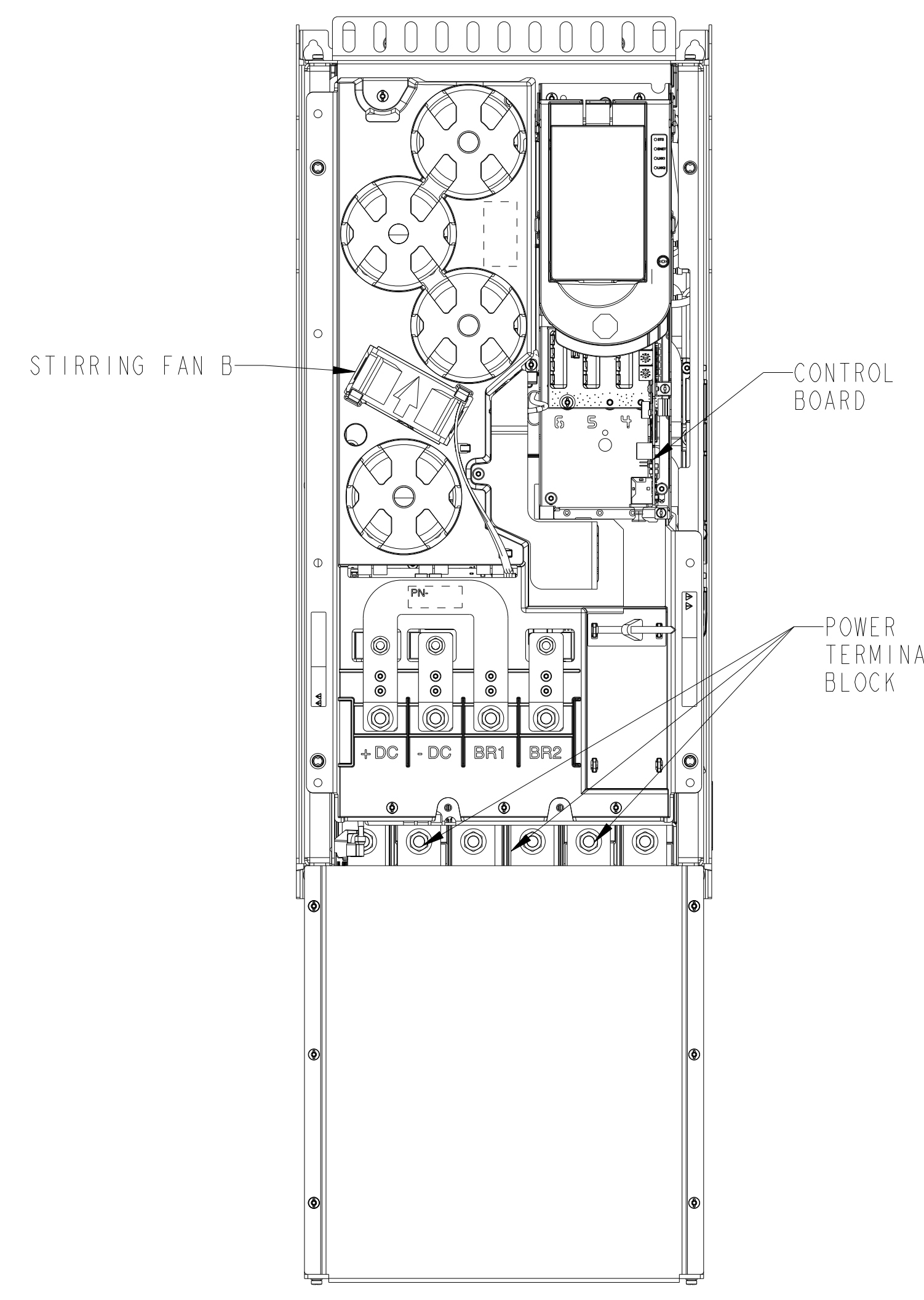
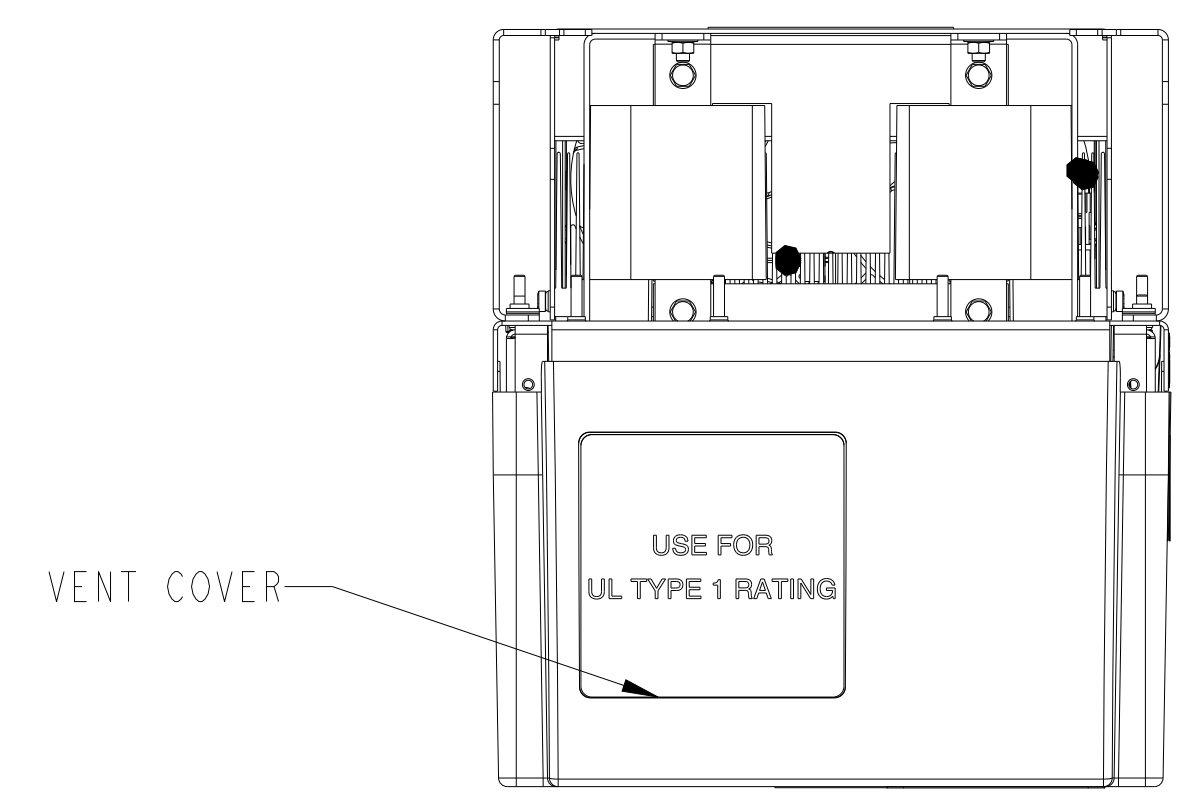
MOUNTING HOLE LOCATION

NOTES:

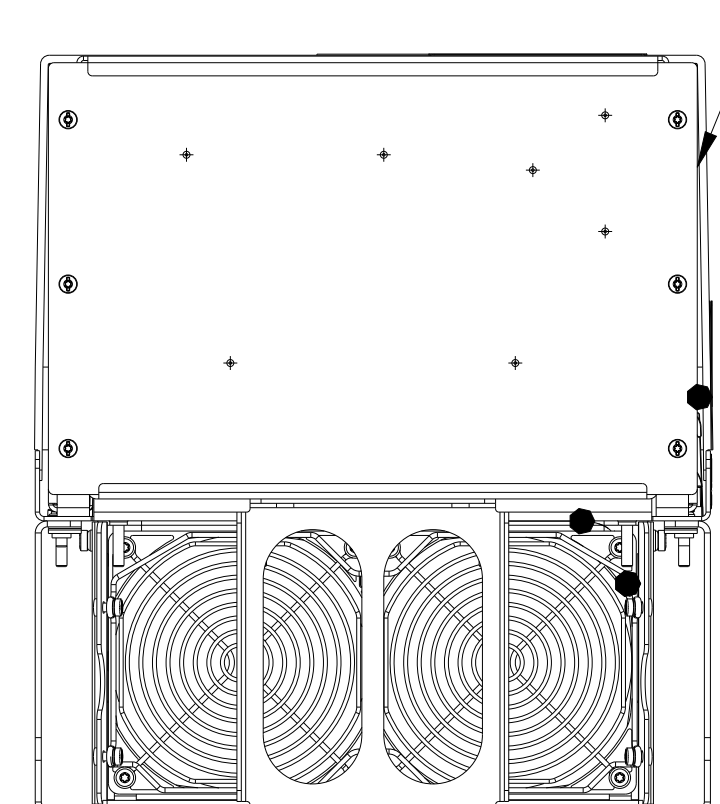
- 1. DIMENSIONS WITH "CG" REPRESENT THE CENTER OF GRAVITY LOCATION.

		<small>CONFIDENTIAL AND PROPRIETARY INFORMATION. THIS DOCUMENT CONTAINS CONFIDENTIAL AND PROPRIETARY INFORMATION OF ROCKWELL AUTOMATION, INC. AND MAY NOT BE USED, COPIED OR DISCLOSED TO OTHERS, EXCEPT WITH THE AUTHORIZED WRITTEN PERMISSION OF ROCKWELL AUTOMATION, INC.</small>	
		DATE: 2022-03-08	SHEET 2 OF 6
DESCRIPTION	STANDARD-SUBMITTAL PF755TS F-6	SIZE D1R	VER
CREATED BY: NDELEO	CHANGED BY: BMACURA	D	10005452022 01

TYPE I DRIVE

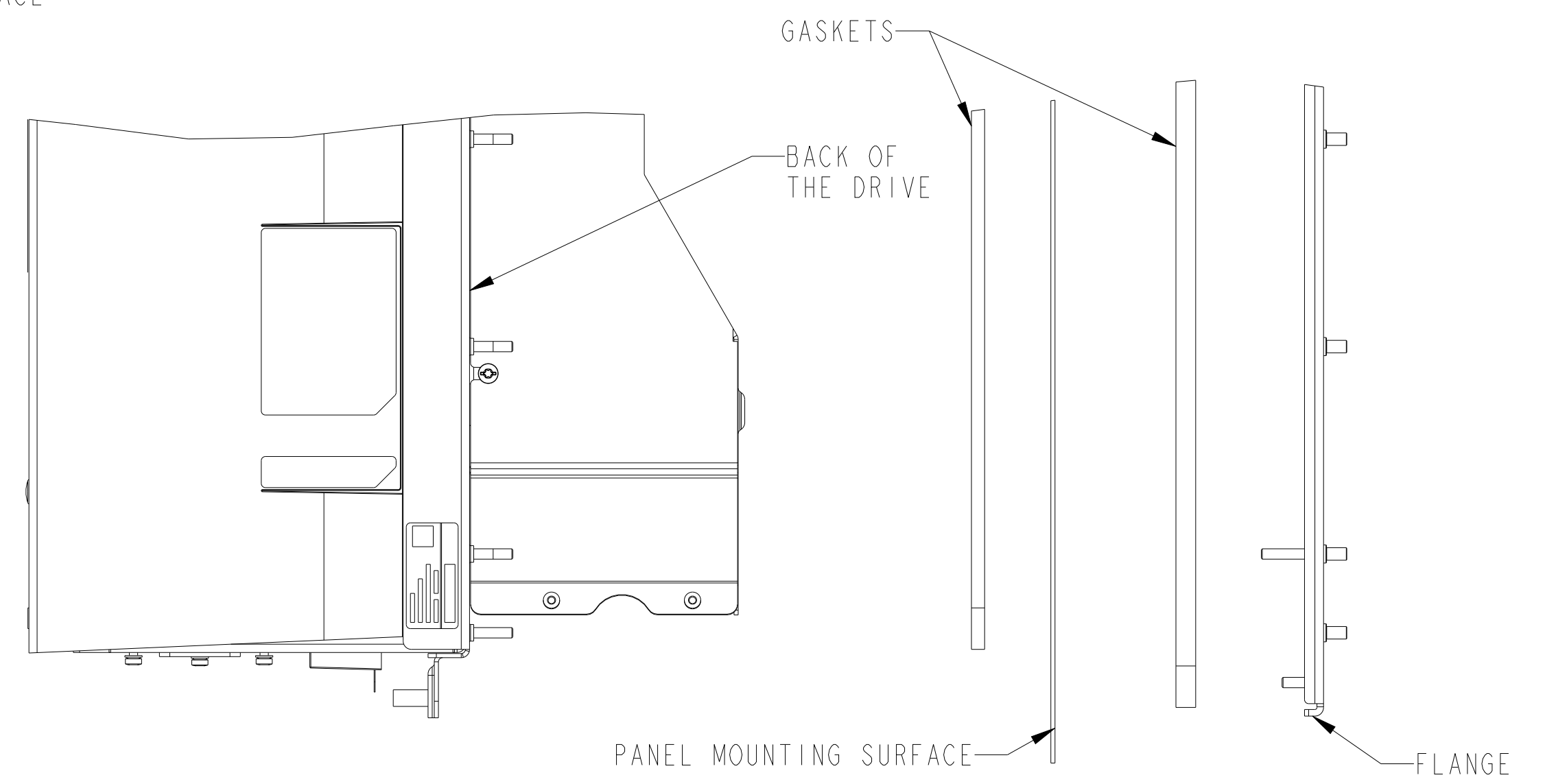
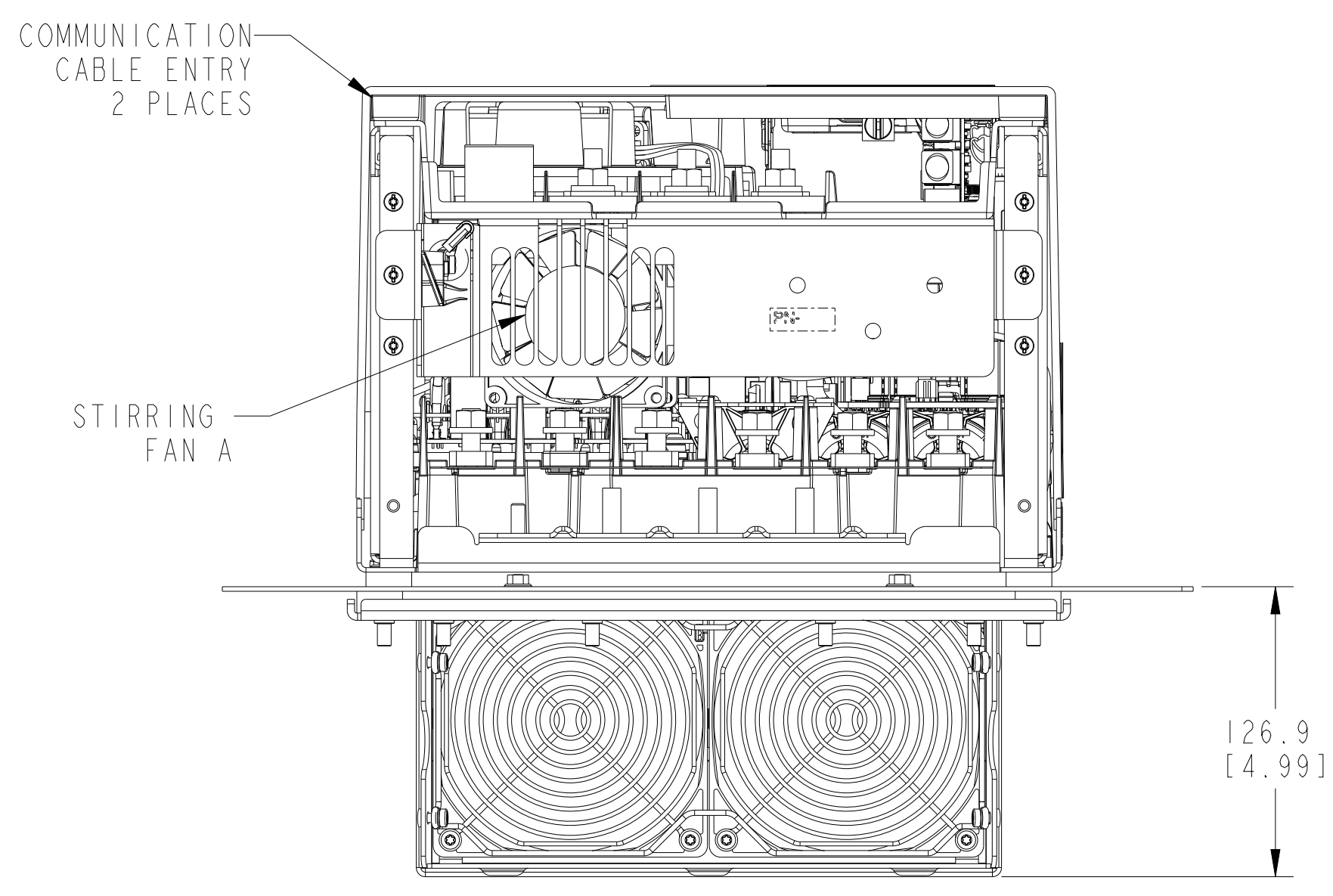
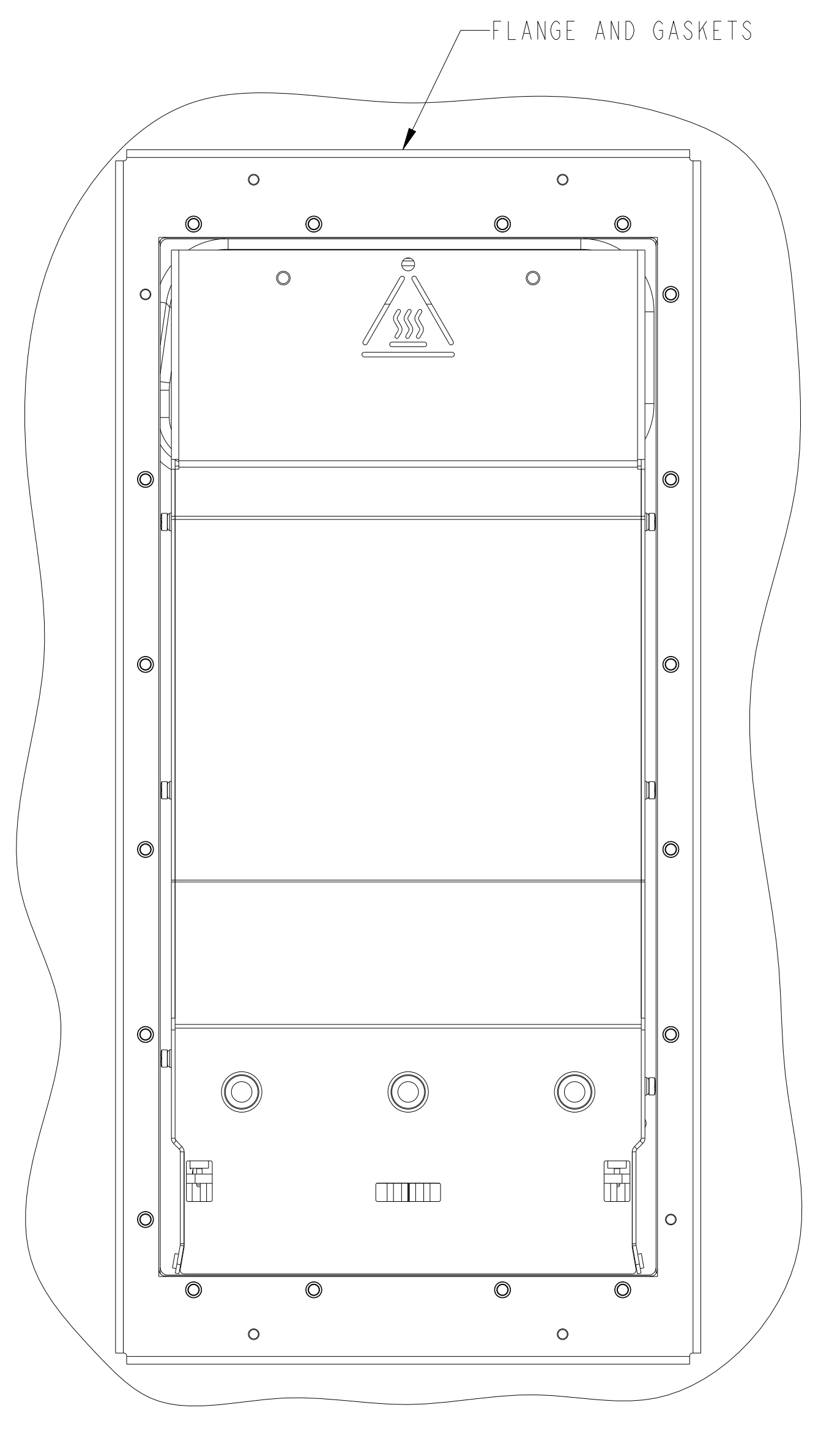
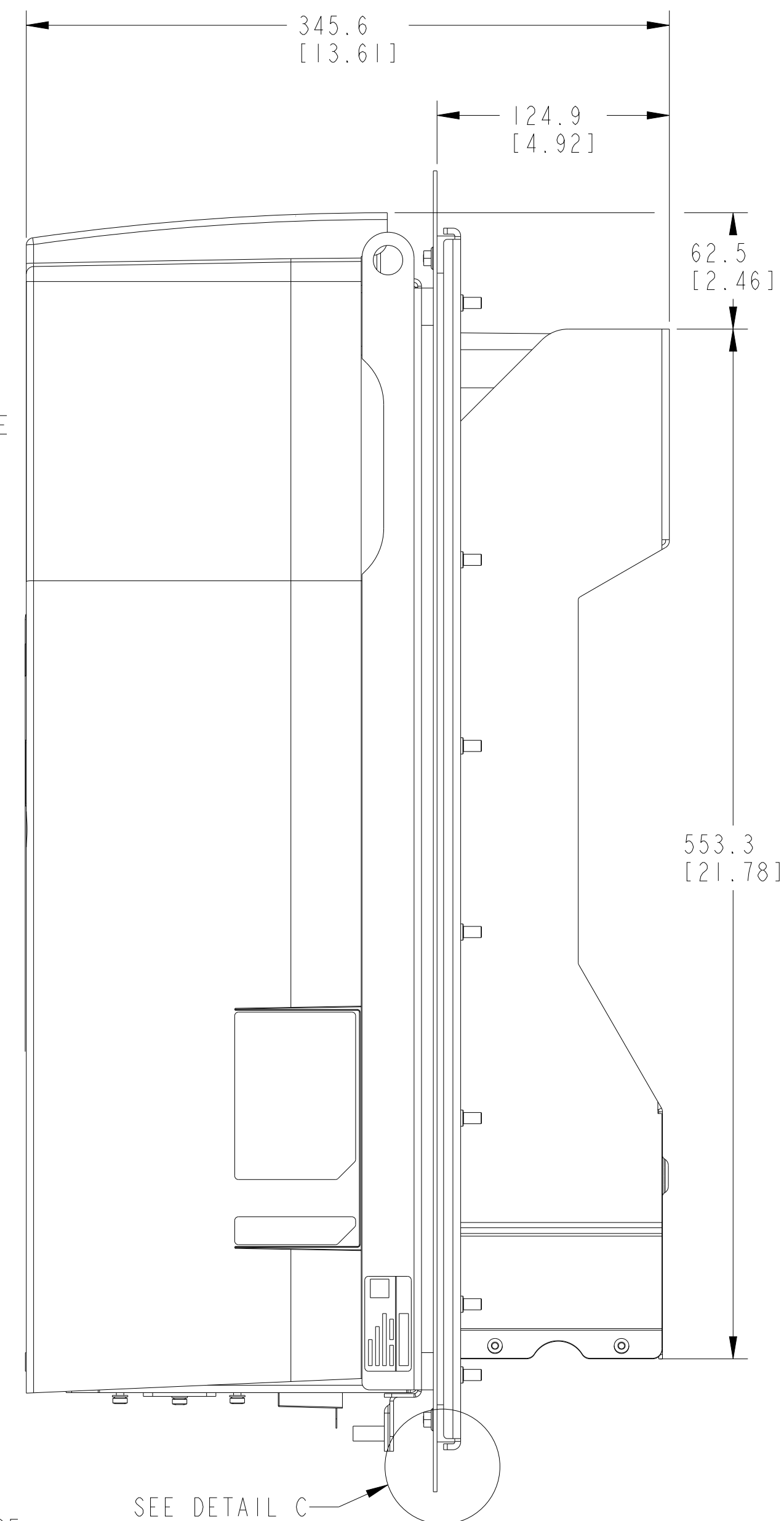
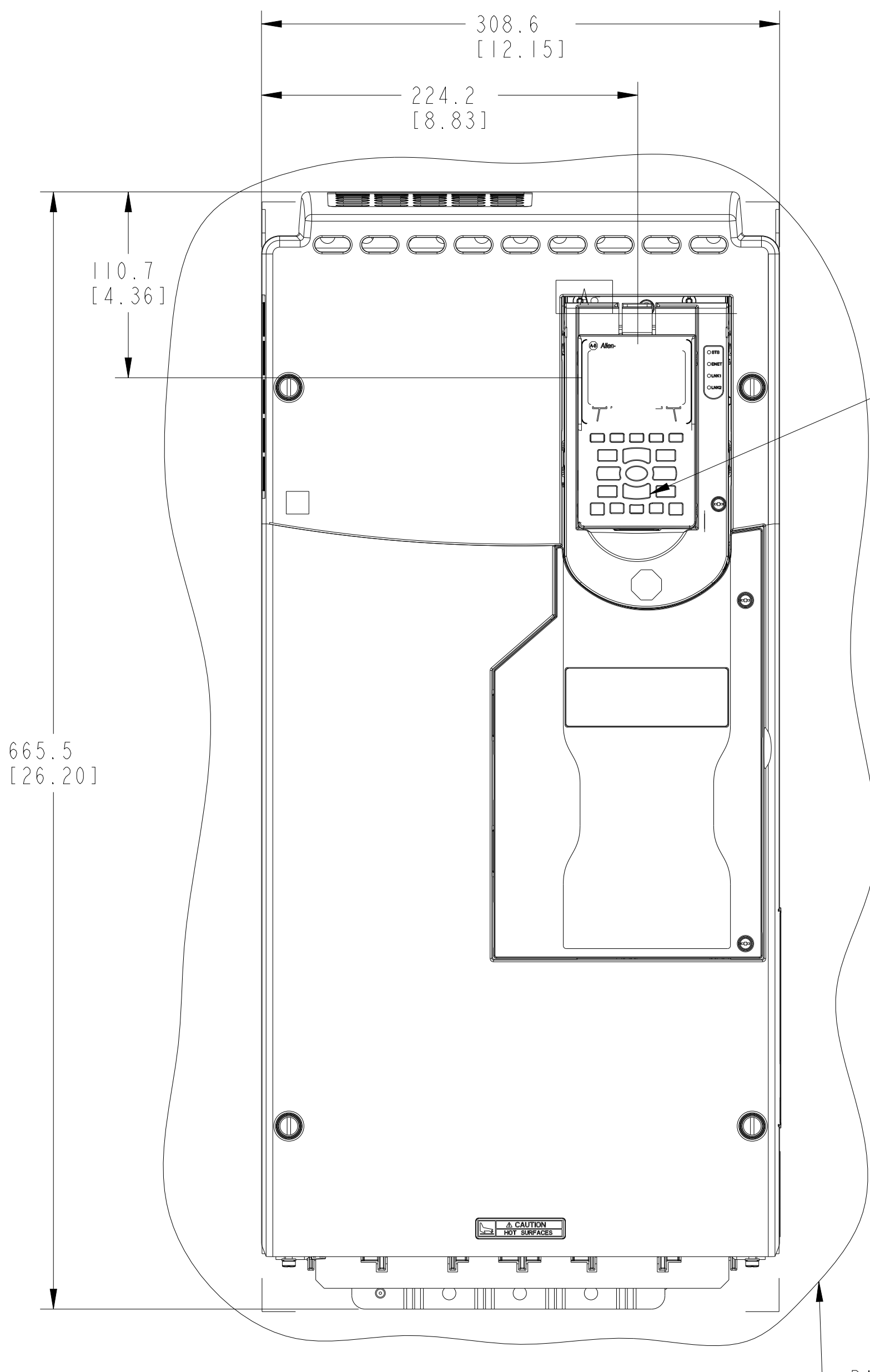
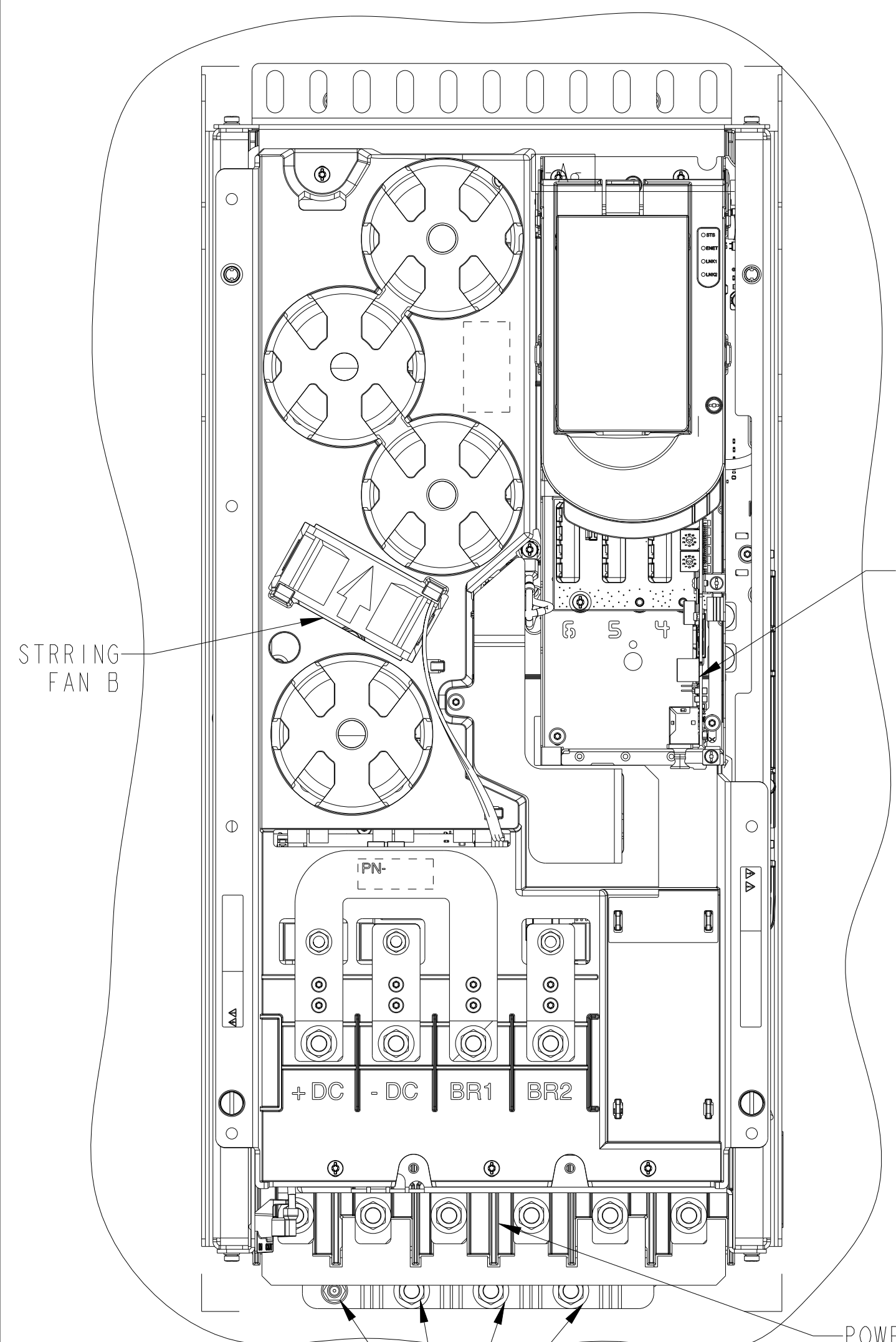


DRIVE COVER REMOVED



		<small>CONFIDENTIAL AND PROPRIETARY INFORMATION. THIS DOCUMENT CONTAINS CONFIDENTIAL AND PROPRIETARY INFORMATION OF ROCKWELL AUTOMATION, INC. AND MAY NOT BE USED, COPIED OR DISCLOSED TO OTHERS, EXCEPT WITH THE AUTHORIZED WRITTEN PERMISSION OF ROCKWELL AUTOMATION, INC.</small>	
		DATE: 2022-03-08	SHEET 3 OF 6
DESCRIPTION	STANDARD-SUBMITTAL PF755TS F-6	SIZE	DIR
CREATED BY: NDELEO	CHANGED BY: BMACURA	D	10005452022
			01

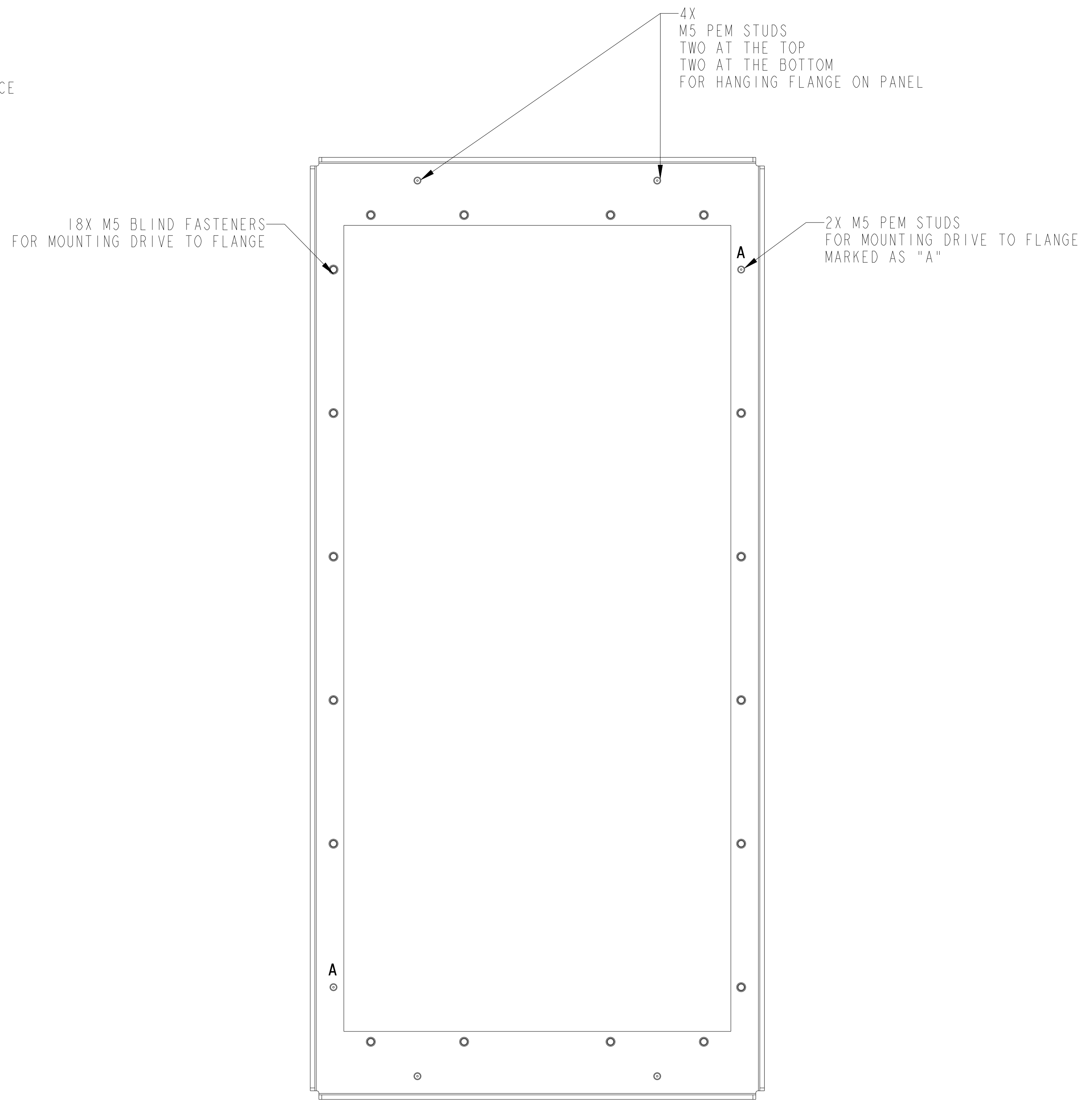
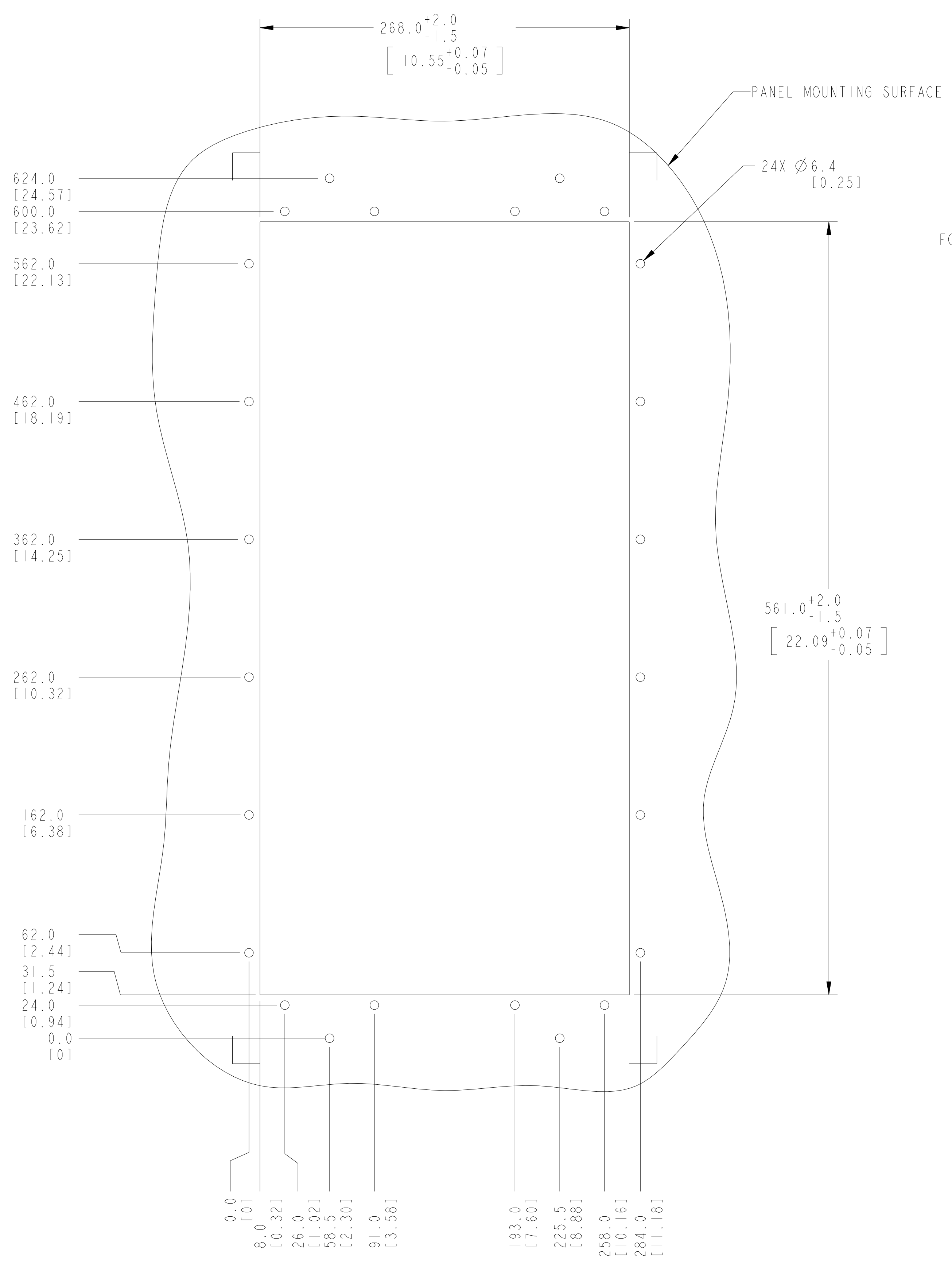
TYPE 4X FLANGE DRIVE



DETAIL C
EXPLODED VIEW
FLANGE AND GLASKETS

		<small>CONFIDENTIAL AND PROPRIETARY INFORMATION. THIS DOCUMENT CONTAINS CONFIDENTIAL AND PROPRIETARY INFORMATION OF ROCKWELL AUTOMATION, INC. AND MAY NOT BE USED, COPIED OR DISCLOSED TO OTHERS, EXCEPT WITH THE AUTHORIZED WRITTEN PERMISSION OF ROCKWELL AUTOMATION, INC.</small>	
		DATE: 2022-03-08	SHEET 4 OF 6
DESCRIPTION	STANDARD-SUBMITTAL PF755TS F-6	SIZE D1R	VER
CREATED BY: NDELEO	CHANGED BY: BMACURA	D	10005452022 01

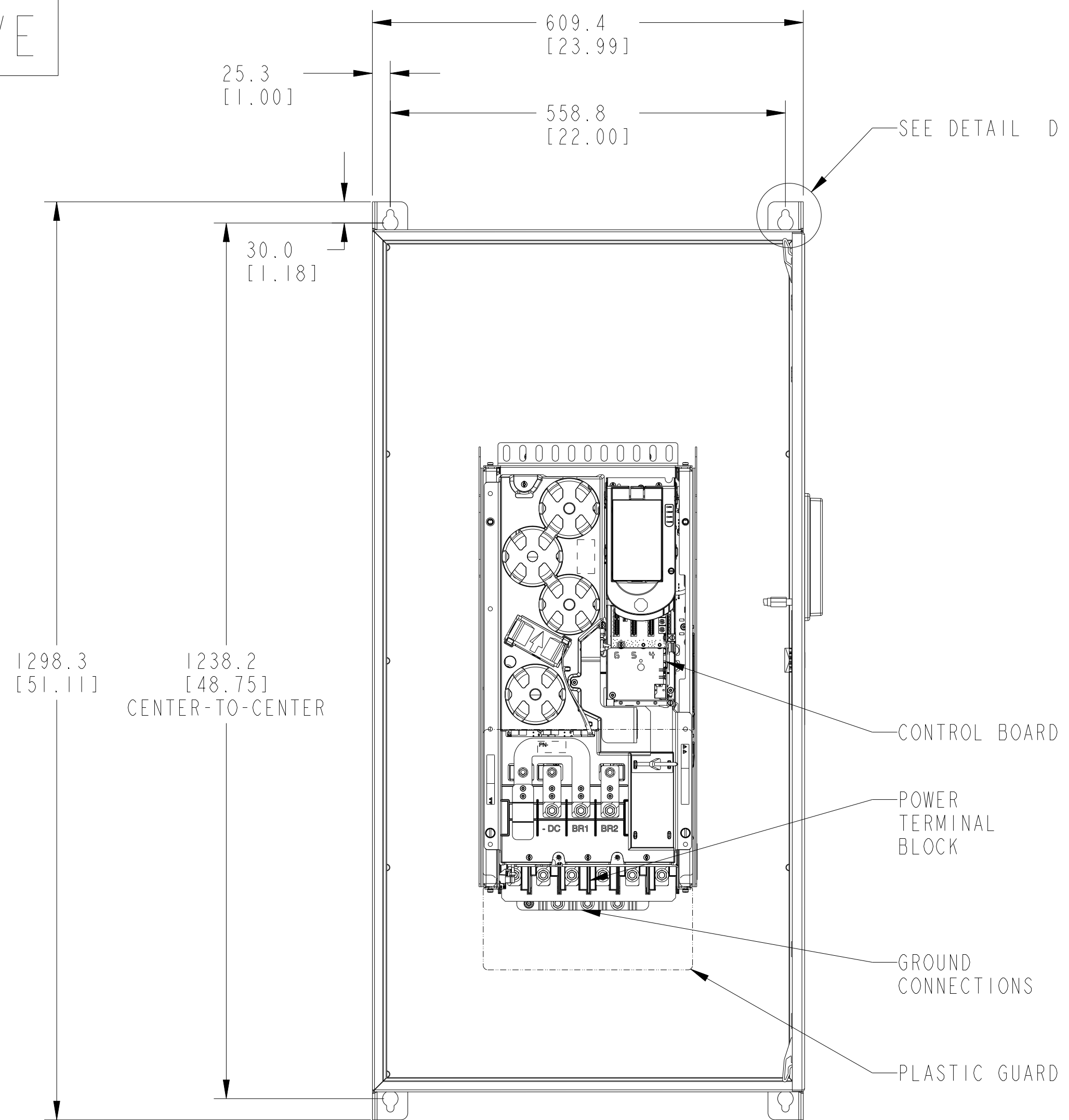
TYPE 4X FLANGE DRIVE



FLANGE MOUNT DRIVE PANEL CUTOUT

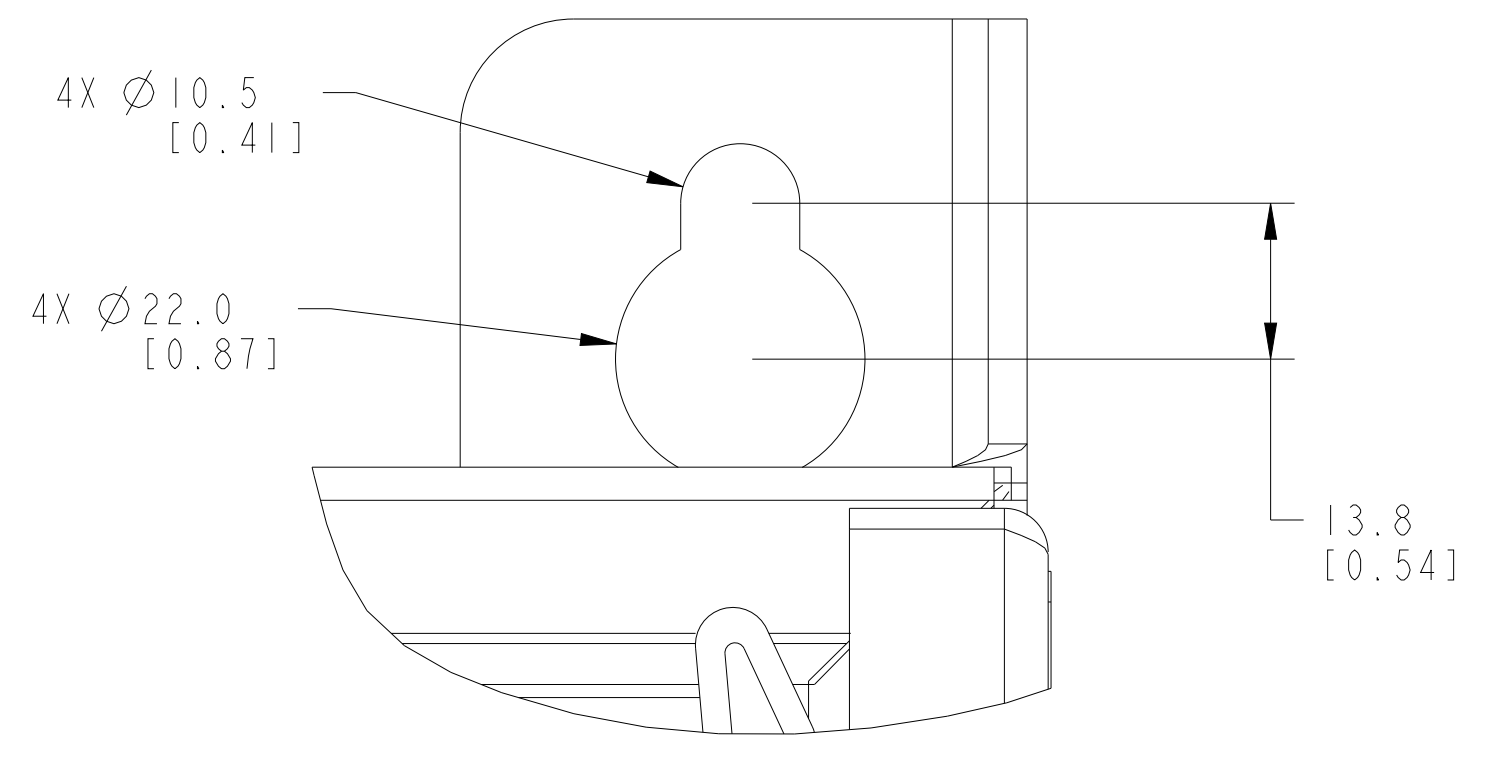
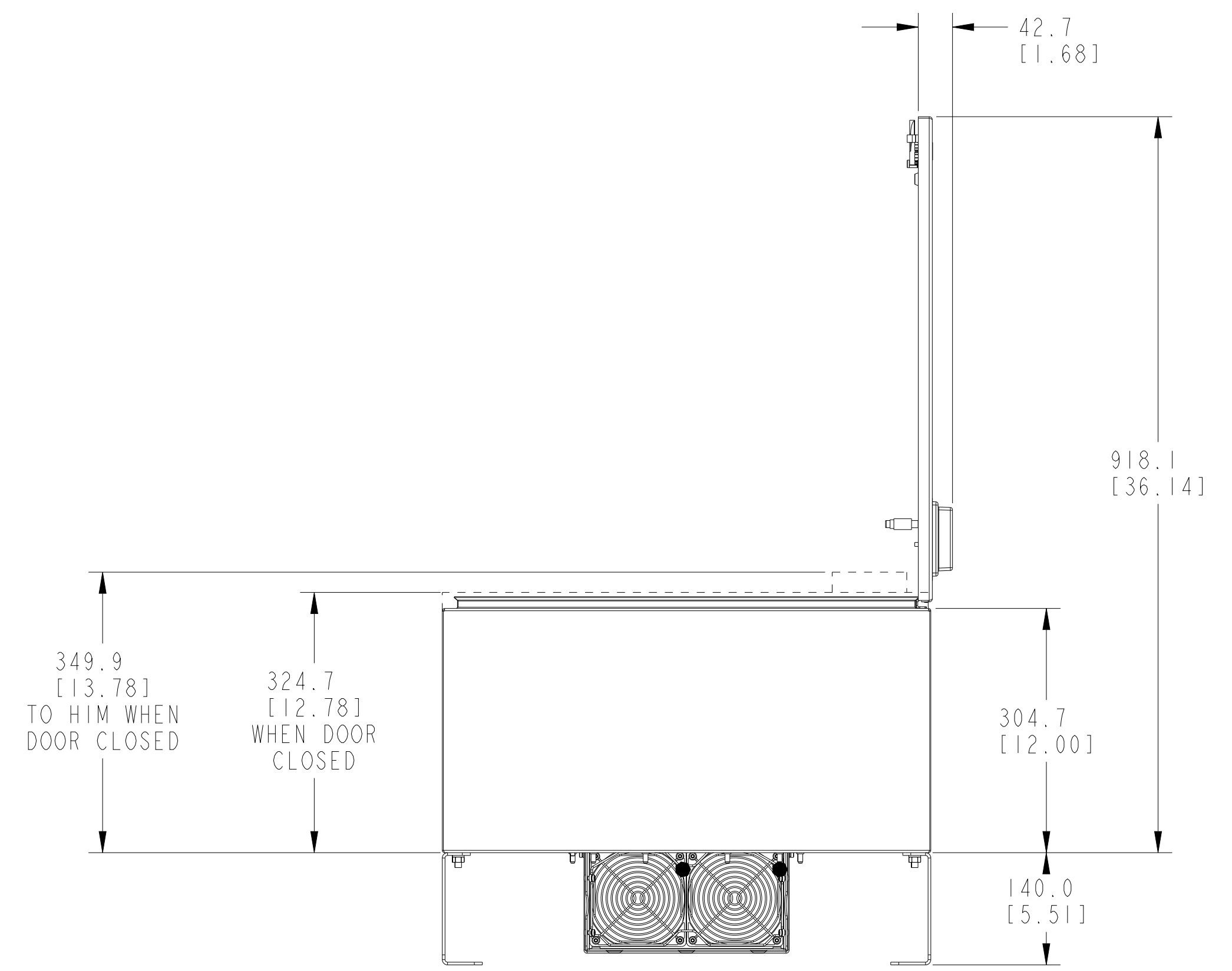
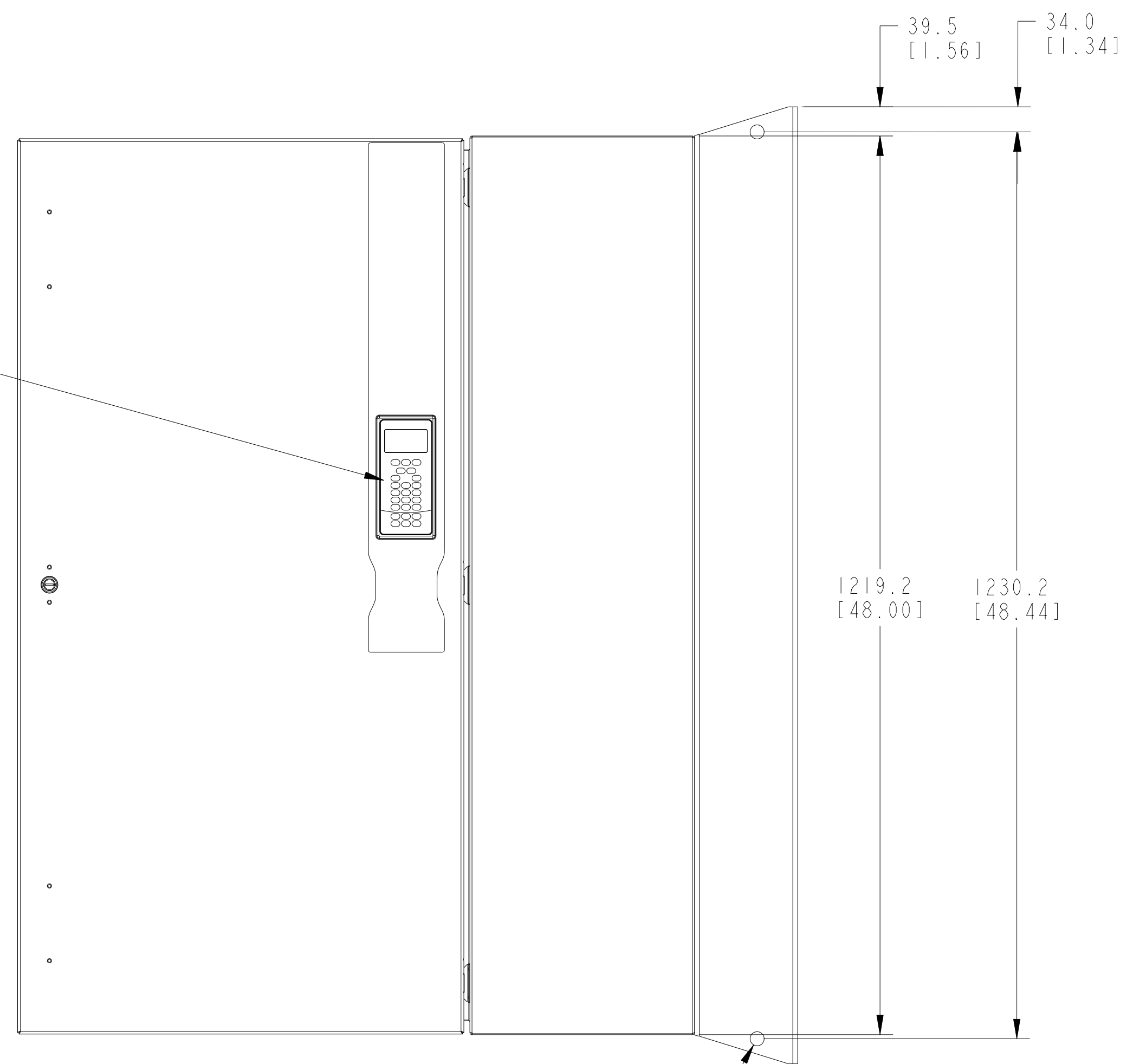
		<small>CONFIDENTIAL AND PROPRIETARY INFORMATION. THIS DOCUMENT CONTAINS CONFIDENTIAL AND PROPRIETARY INFORMATION OF ROCKWELL AUTOMATION, INC. AND MAY NOT BE USED, COPIED OR DISCLOSED TO OTHERS, EXCEPT WITH THE AUTHORIZED WRITTEN PERMISSION OF ROCKWELL AUTOMATION, INC.</small>	
		DATE: 2022-03-08	SHEET 5 OF 6
DESCRIPTION	STANDARD-SUBMITTAL PF755TS F-6	SIZE	VER
CREATED BY: NDELEO	CHANGED BY: BMACURA	D	10005452022 01

TYPE 12 DRIVE



ENCLOSURE WITH DOOR OPEN

HUMAN INTERFACE MODULE (HIM) OPTIONAL



DETAIL D

		<small>CONFIDENTIAL AND PROPRIETARY INFORMATION. THIS DOCUMENT CONTAINS CONFIDENTIAL AND PROPRIETARY INFORMATION OF ROCKWELL AUTOMATION, INC. AND MAY NOT BE USED, COPIED OR DISCLOSED TO OTHERS, EXCEPT WITH THE AUTHORIZED WRITTEN PERMISSION OF ROCKWELL AUTOMATION, INC.</small>	
		DATE: 2022-03-08	SHEET 6 OF 6
DESCRIPTION	STANDARD-SUBMITTAL PF755TS F-6	SIZE	D1R
CREATED BY: NDELEO	CHANGED BY: BMACURA	D	10005452022
			01