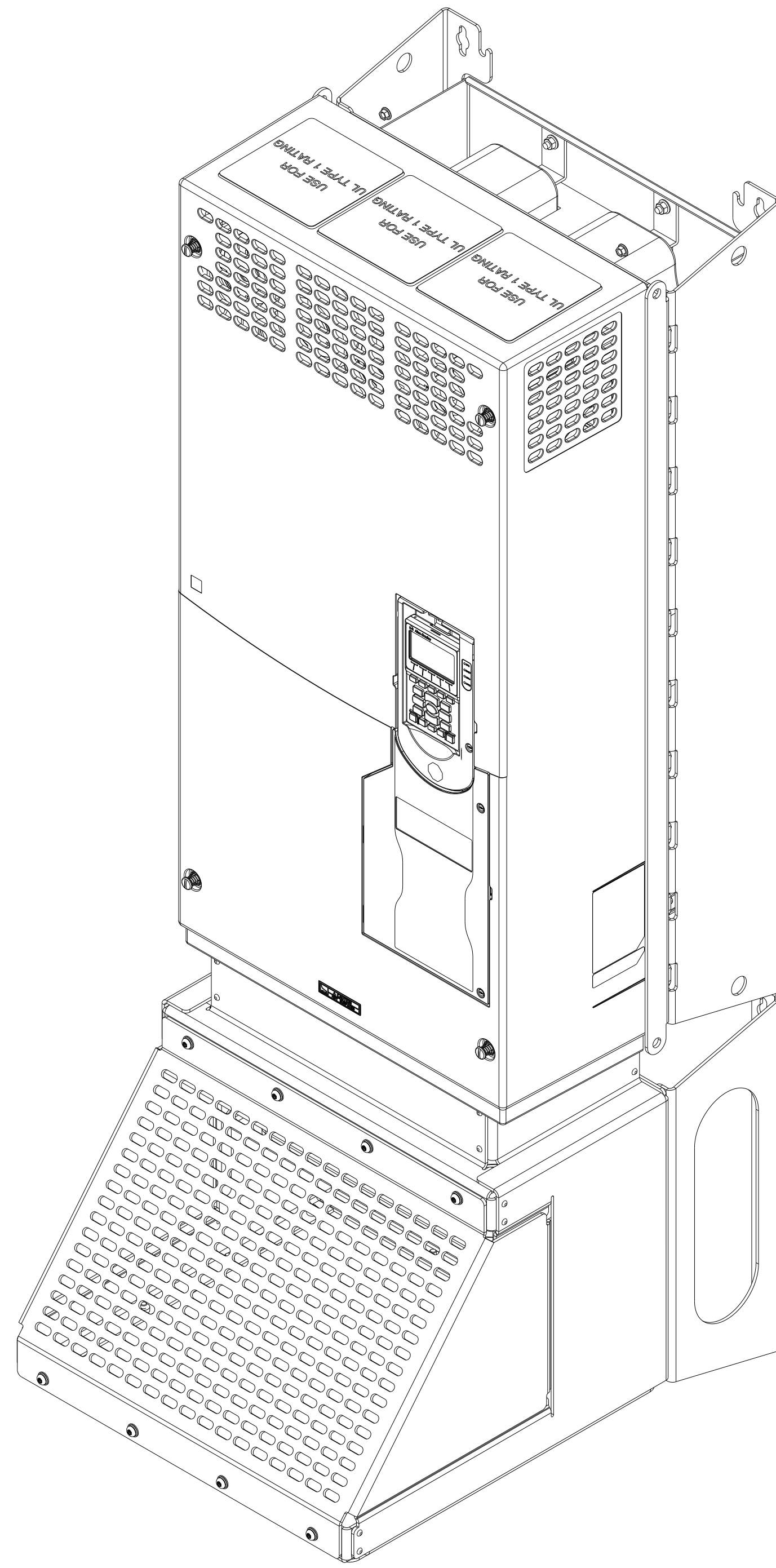
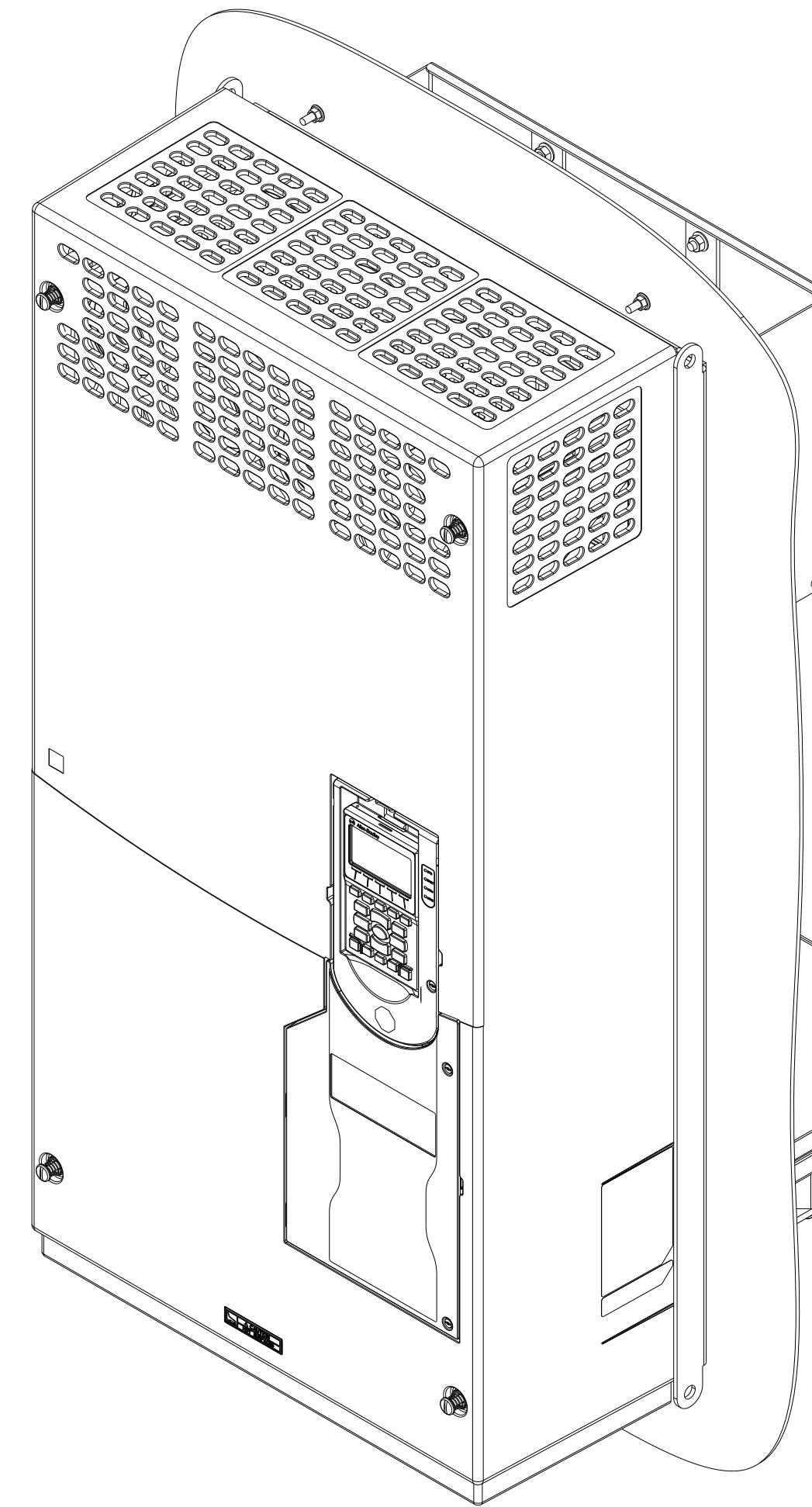


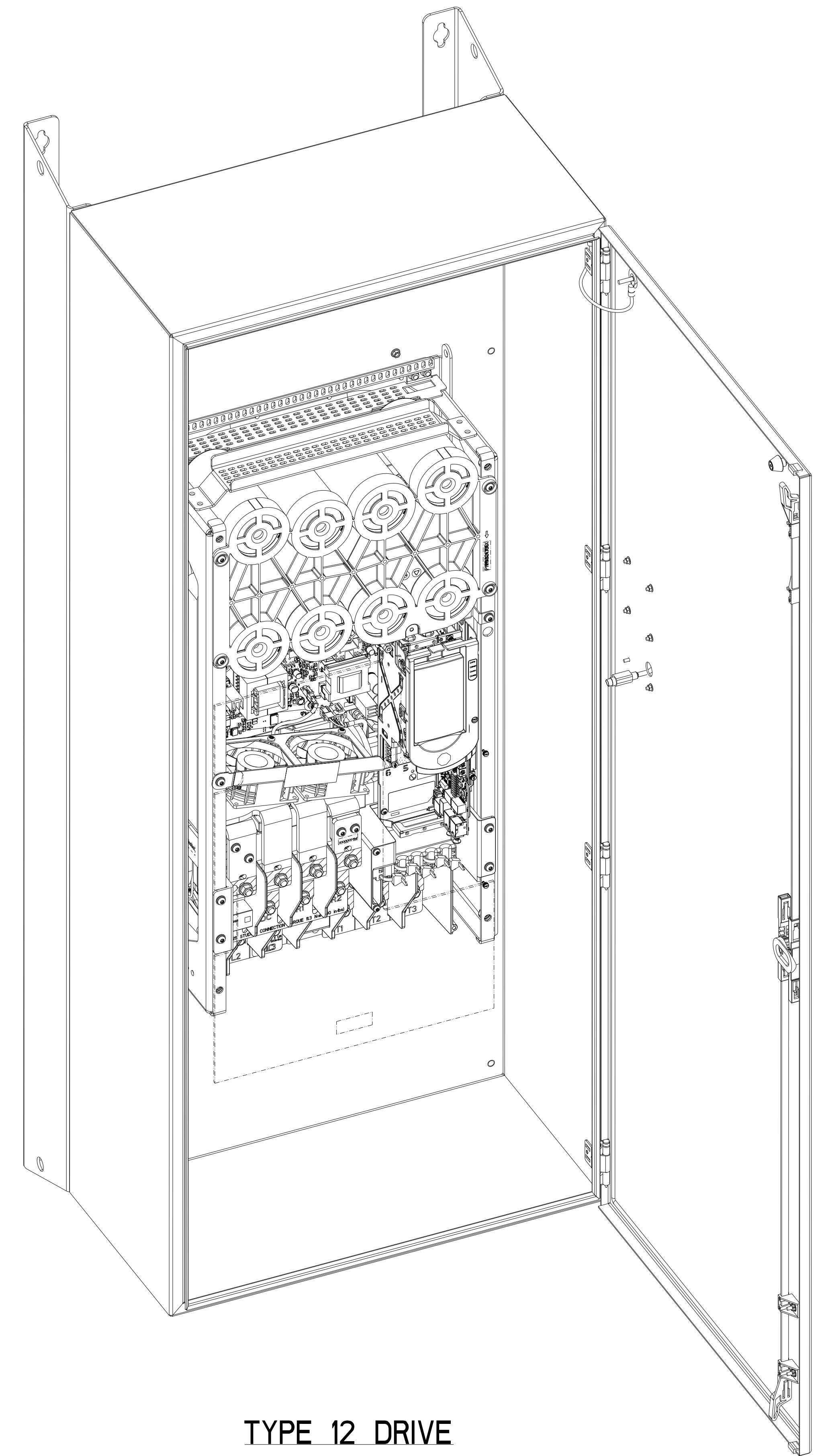
OPEN DRIVE



TYPE 1 DRIVE
AFTER INSTALLATION
OF THE TYPE 1 KIT



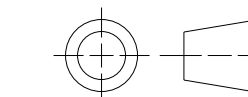
**TYPE 4X
FLANGE DRIVE**
AFTER INSTALLATION
OF THE FLANGE KIT



TYPE 12 DRIVE

ALL UNDIMENSIONED GEOMETRIES
ARE CONTROLLED BY THE CAD
MODEL. IN CASE OF DIMENSION
DISCREPANCY, CAD MODEL
OVERRIDES.

THIRD ANGLE PROJECTION



STANDARD-SUBMITTAL PF755TS F-7

CREATED BY: PPOSTUL

CHANGED BY: BMACURA

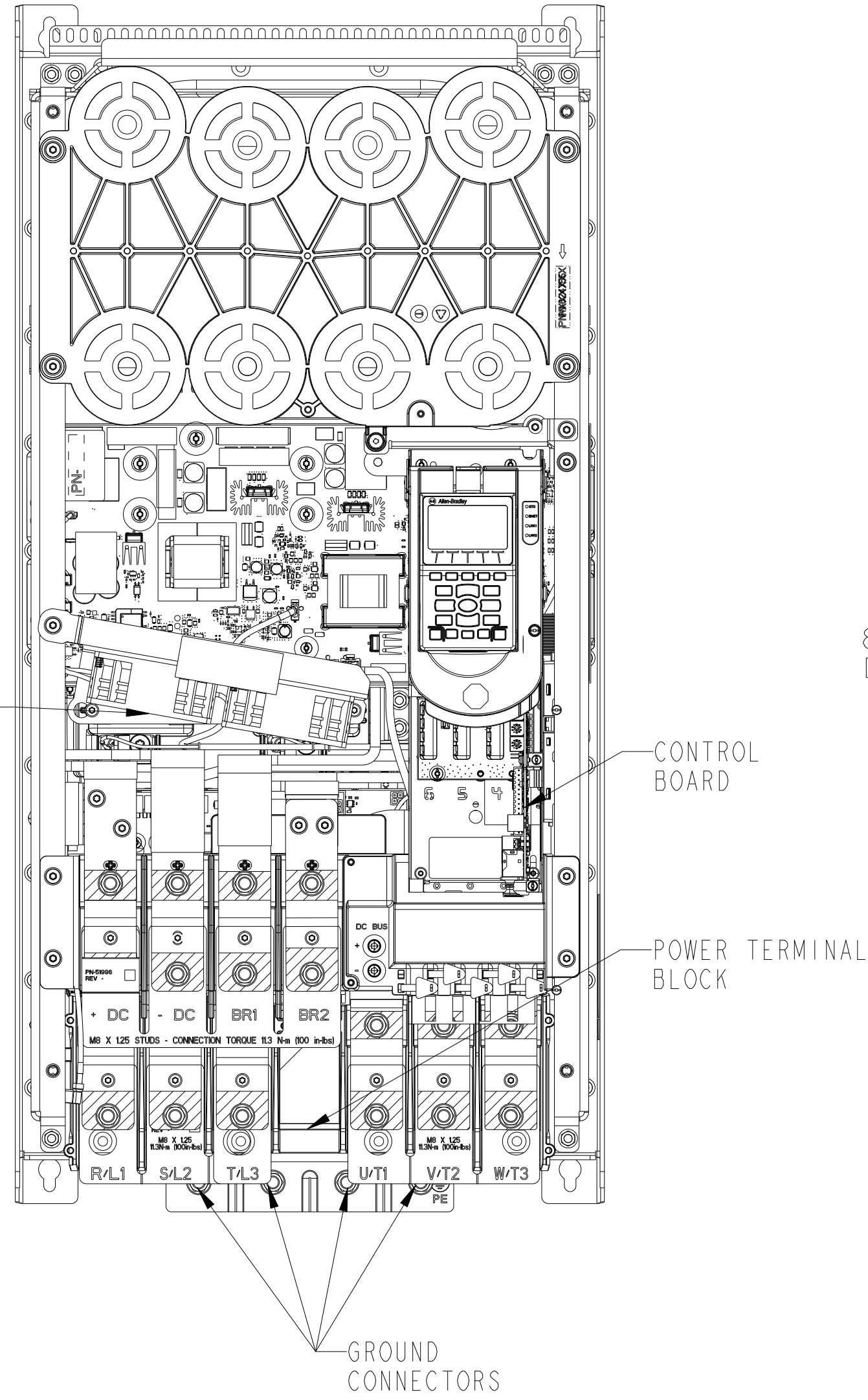
CONFIDENTIAL AND PROPRIETARY INFORMATION.
THIS DOCUMENT CONTAINS CONFIDENTIAL AND PROPRIETARY
INFORMATION OF ROCKWELL AUTOMATION, INC. AND MAY
NOT BE USED, COPIED OR DISCLOSED TO OTHERS, EXCEPT
WITH THE AUTHORIZED WRITTEN PERMISSION OF ROCKWELL
AUTOMATION, INC.

DATE: 2022-03-09 SHEET 1 OF 6

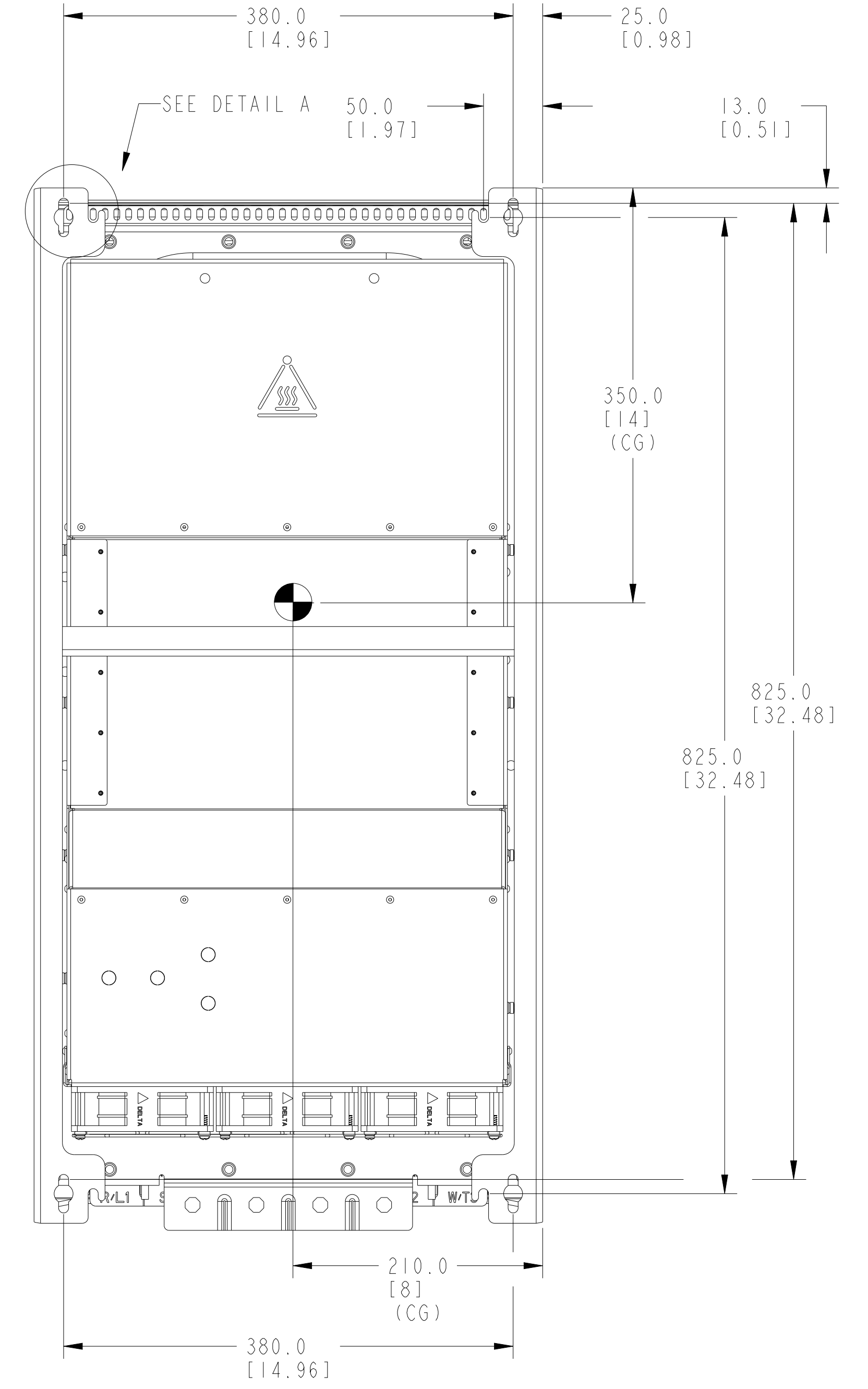
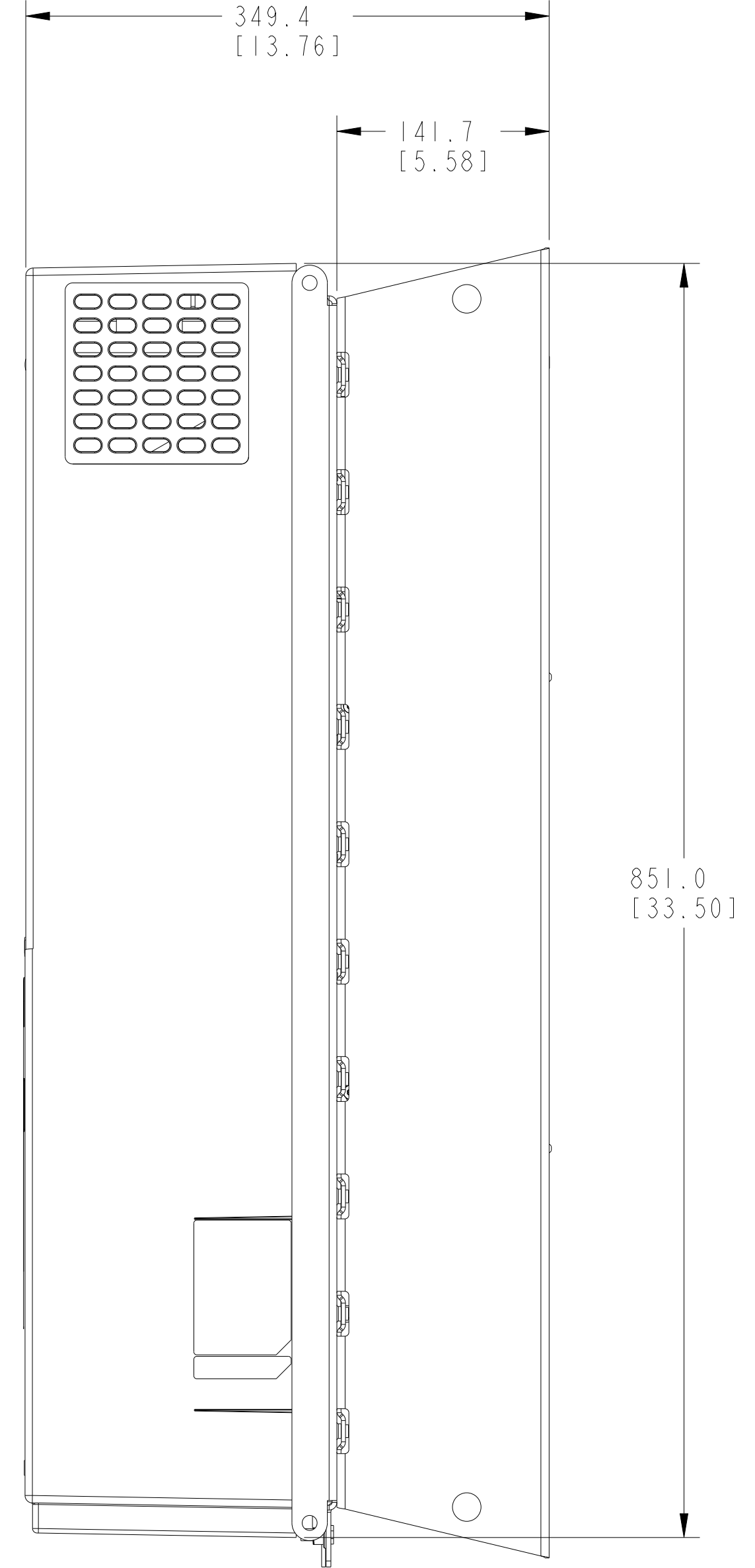
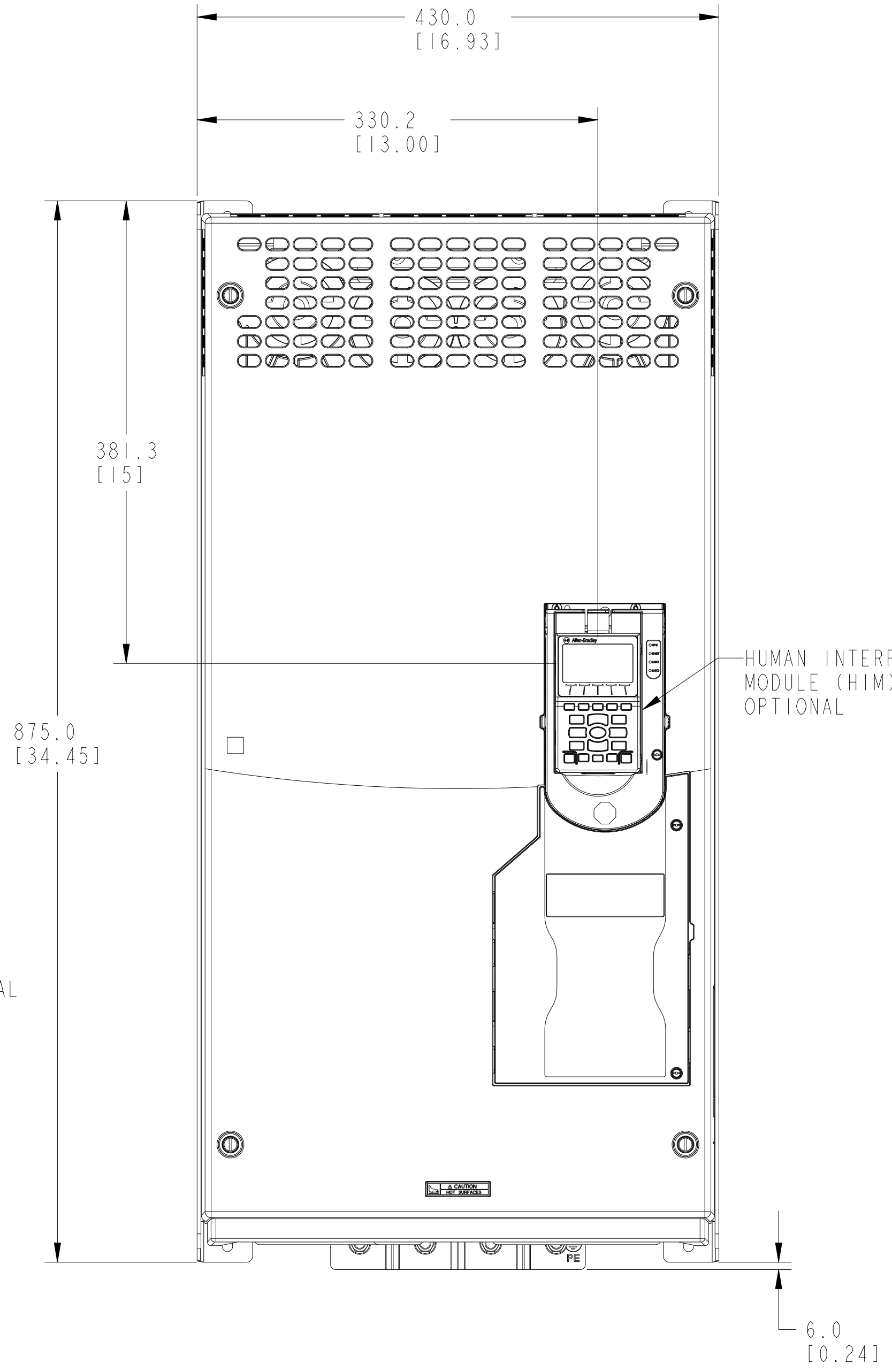
SIZE: D1R VER:

D 10005381231 02

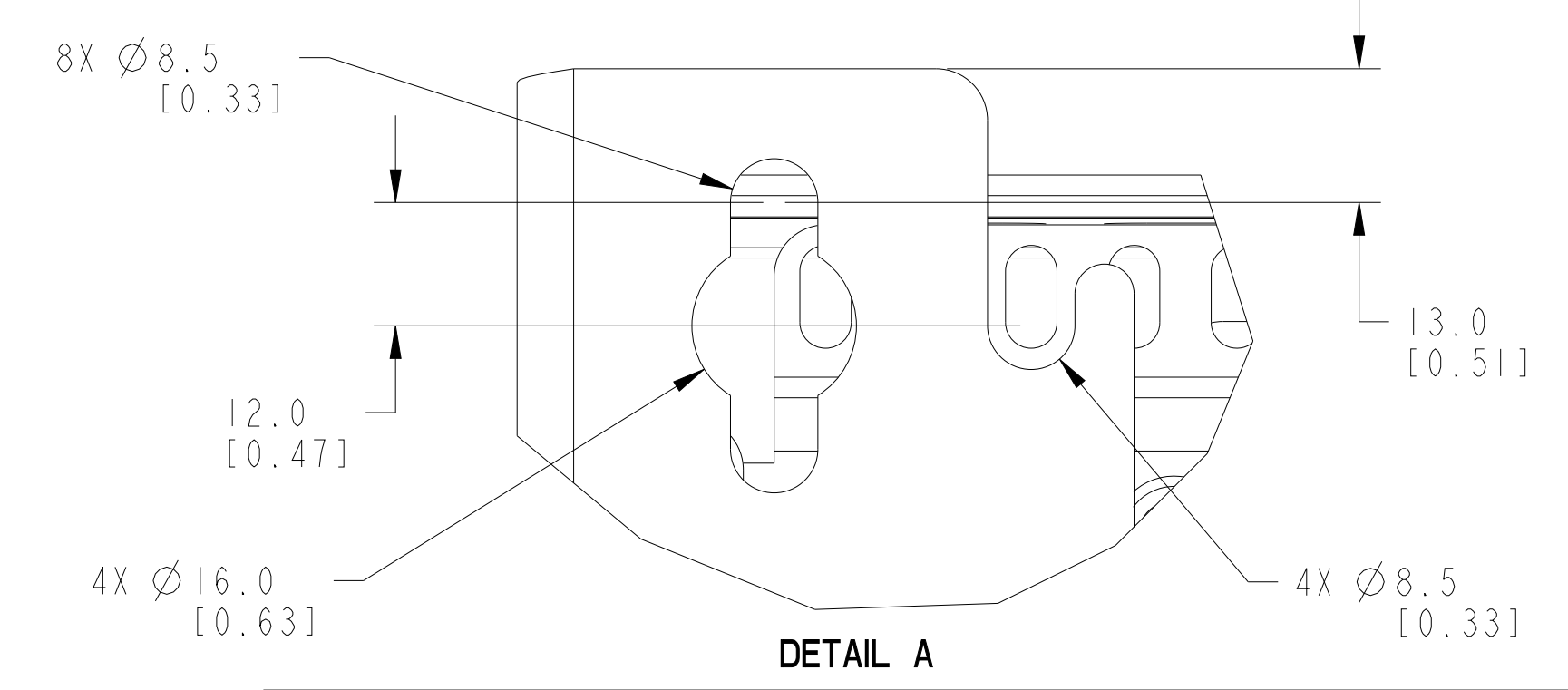
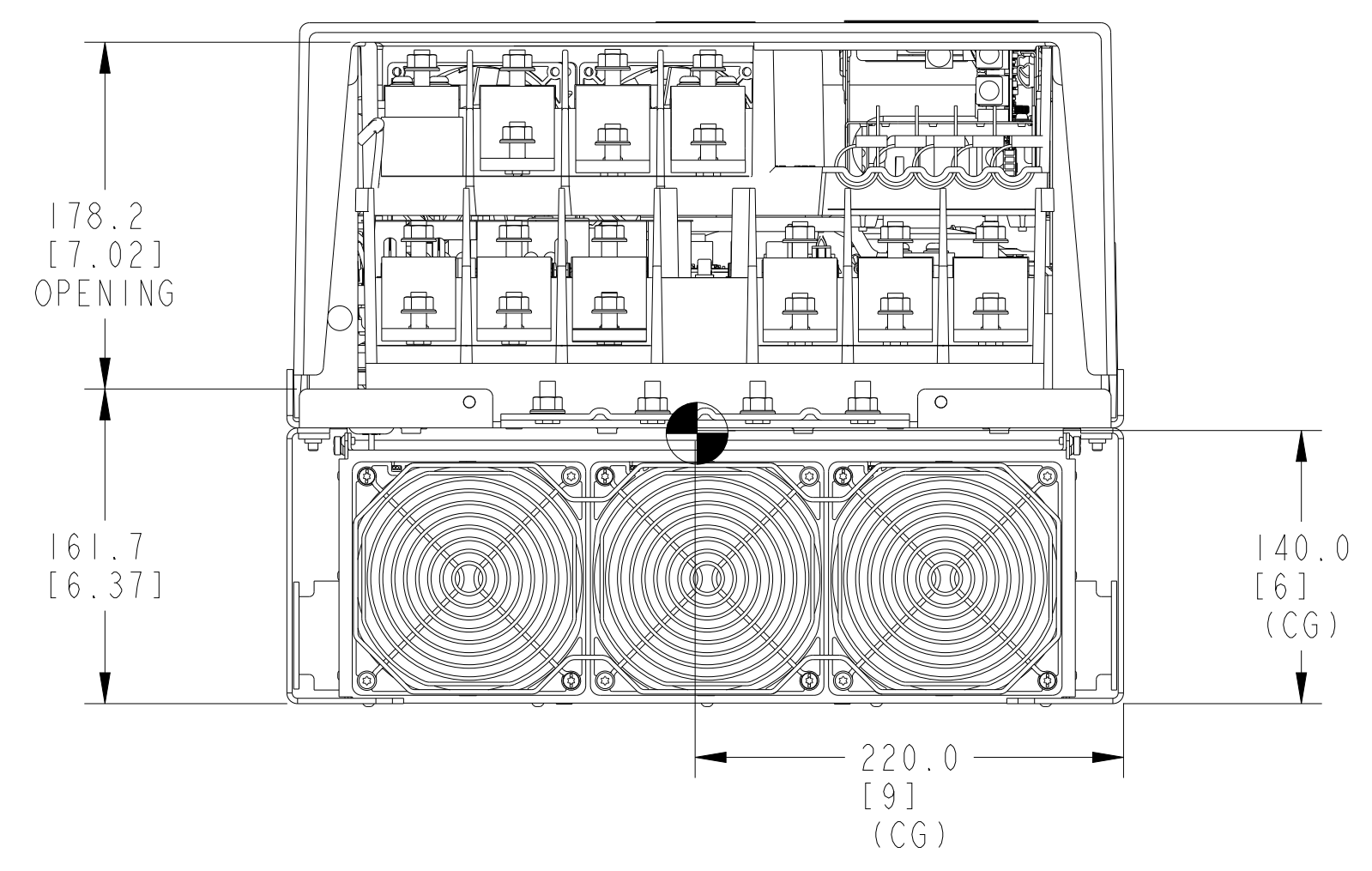
OPEN DRIVE



DRIVE COVER REMOVED



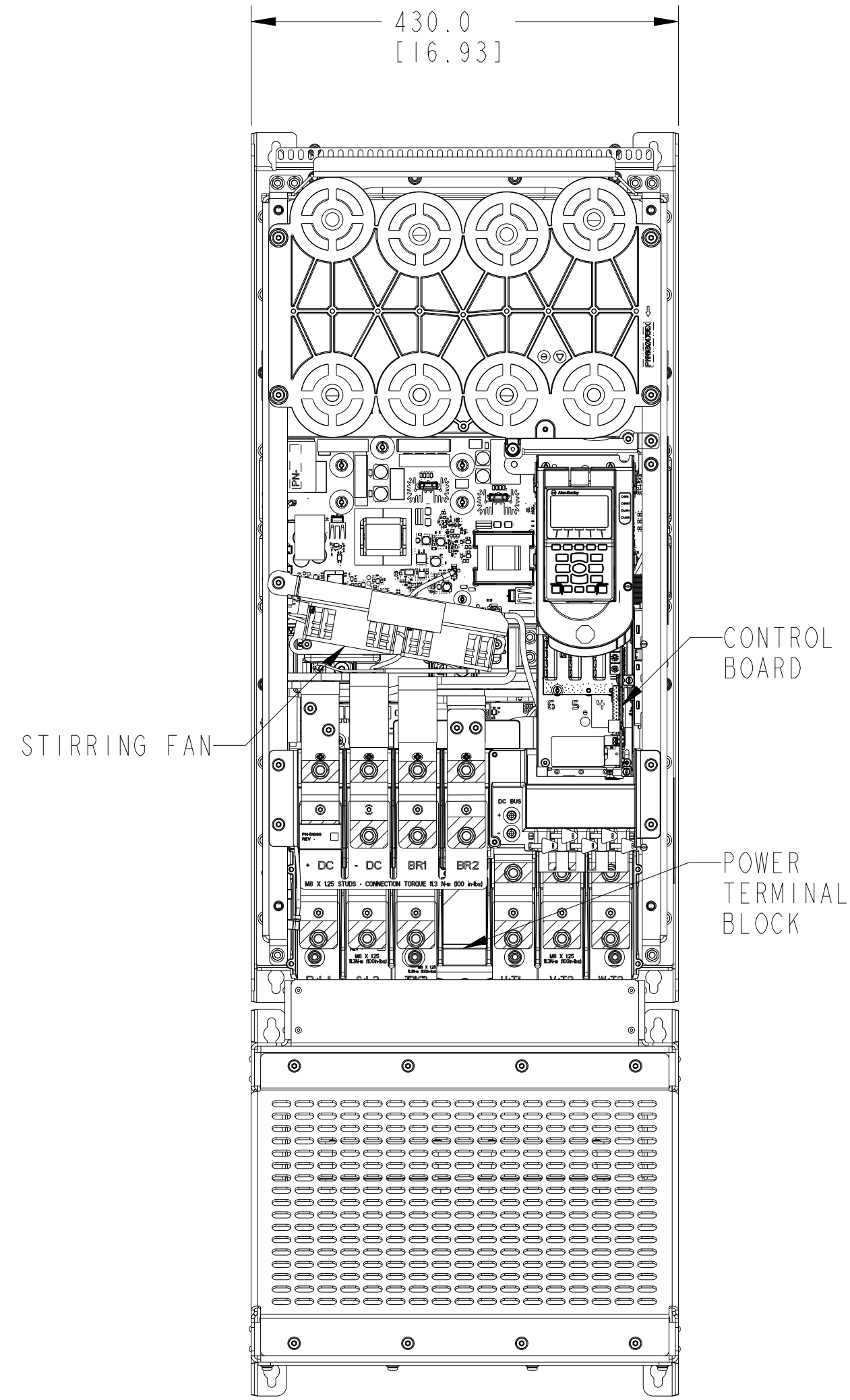
MOUNTING HOLE LOCATION



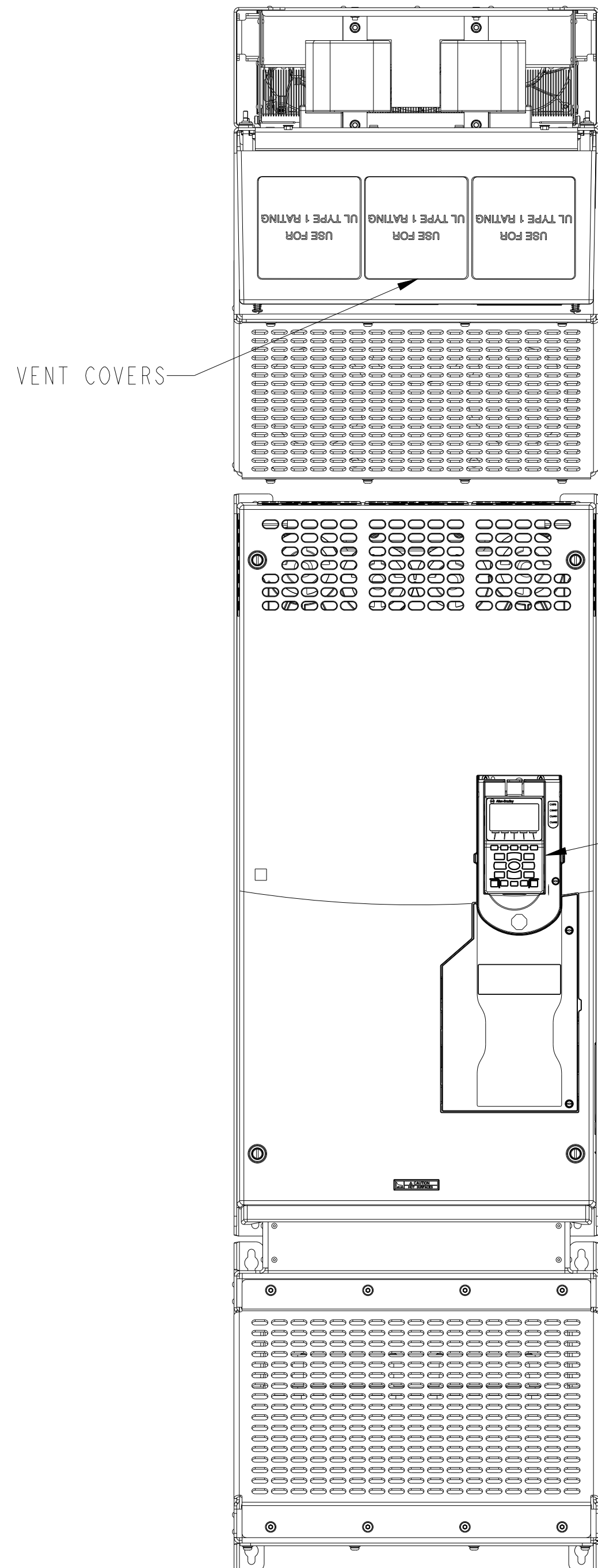
NOTES:
1. DIMENSIONS WITH "CG" REPRESENT THE CENTER OF GRAVITY LOCATION.

| | | | |
|--|-------------------------|--|---------------------|
| | | <small>CONFIDENTIAL AND PROPRIETARY INFORMATION. THIS DOCUMENT CONTAINS CONFIDENTIAL AND PROPRIETARY INFORMATION OF ROCKWELL AUTOMATION, INC. AND MAY NOT BE USED, COPIED OR DISCLOSED TO OTHERS, EXCEPT WITH THE AUTHORIZED WRITTEN PERMISSION OF ROCKWELL AUTOMATION, INC.</small> | |
| | | DATE: 2022-03-09 SIZE: D1R | SHEET 2 OF 6 VER |
| DESCRIPTION STANDARD-SUBMITTAL PF755TS F-7 | D 10005381231 | 02 | |
| CREATED BY: PPOSTUL | CHANGED BY: BMACURA | | |

TYPE I DRIVE

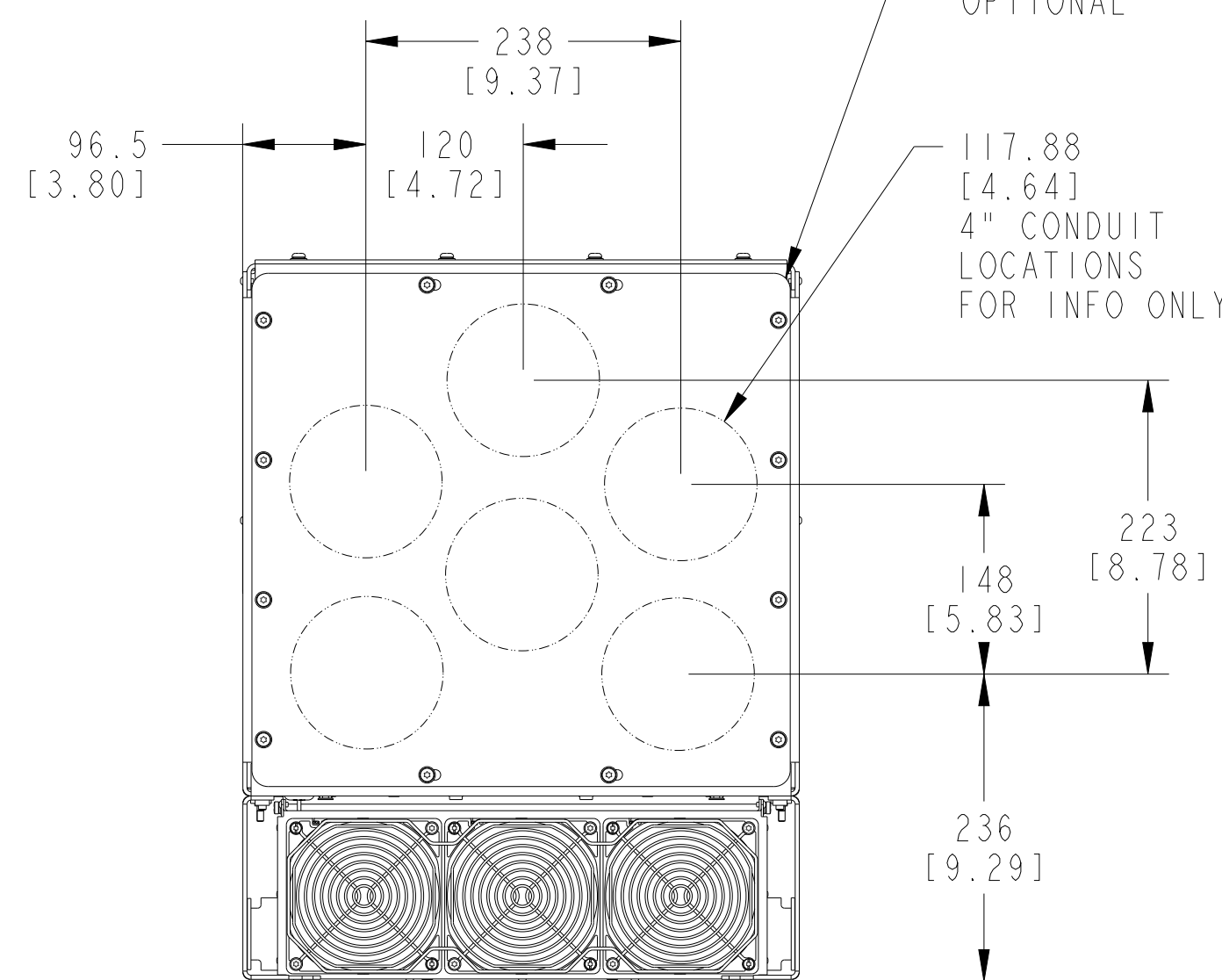


DRIVE COVER REMOVED

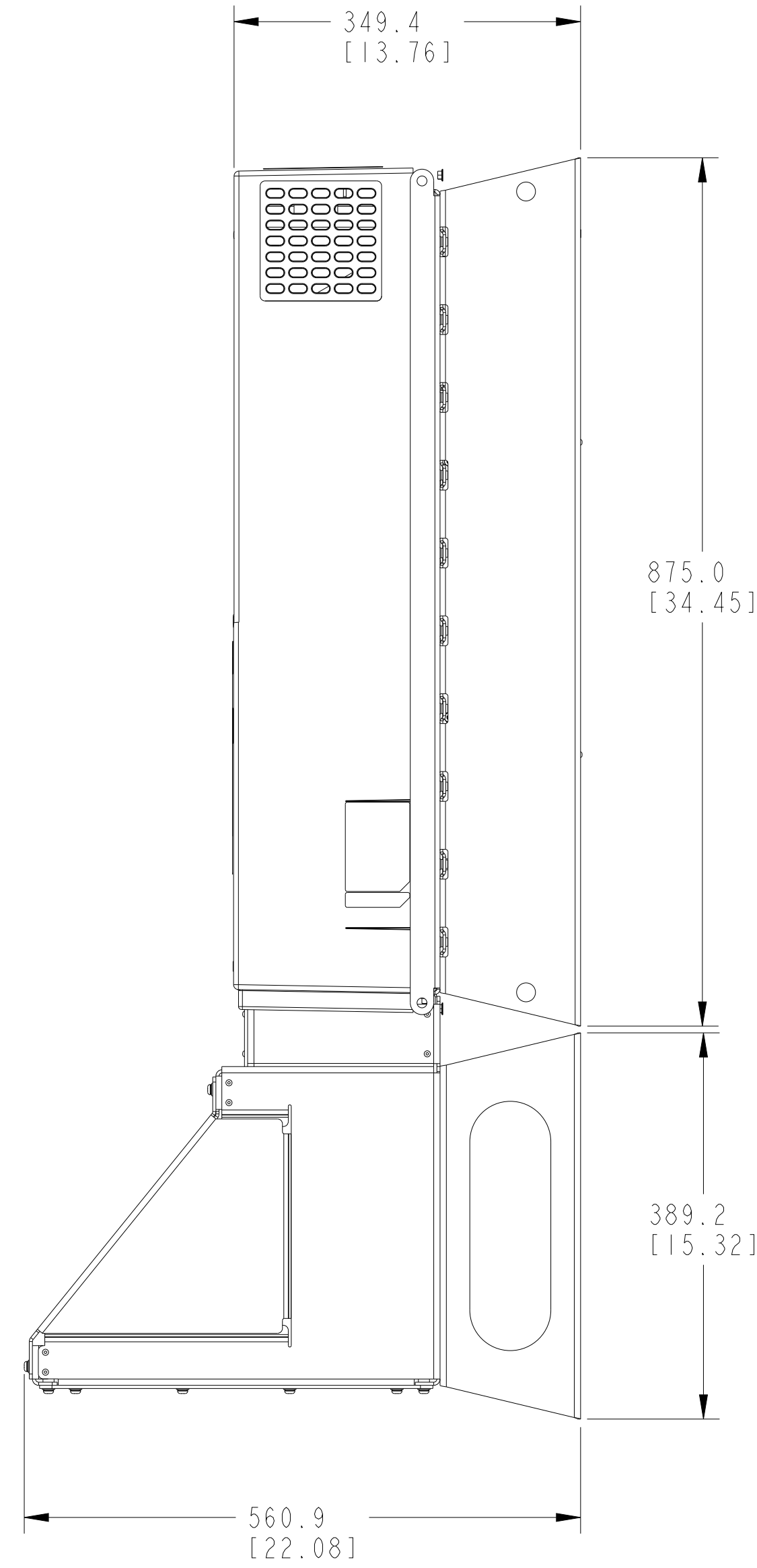


HUMAN INTERFACE MODULE (HIM) OPTIONAL

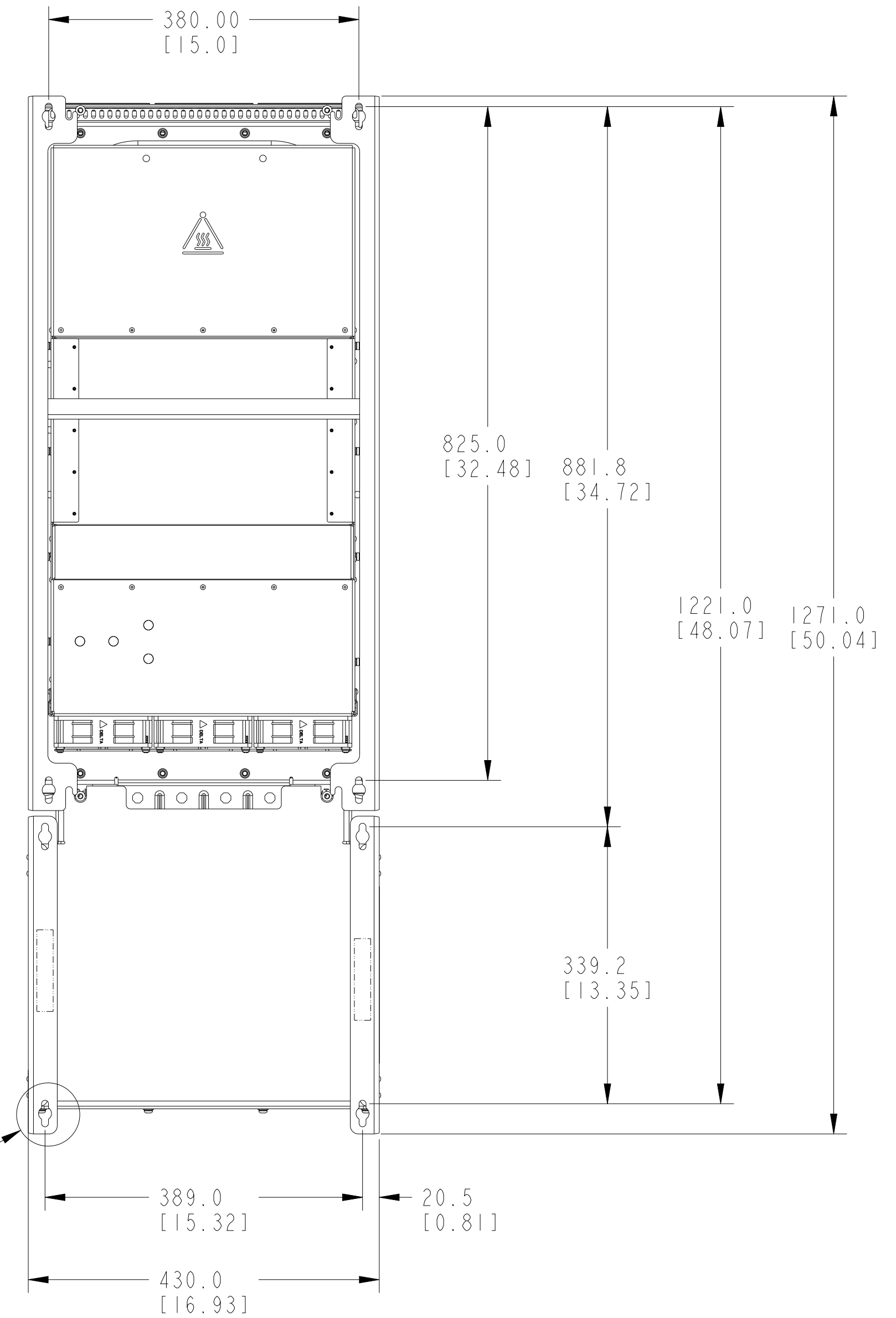
TYPE I JUNCTION BOX OPTIONAL



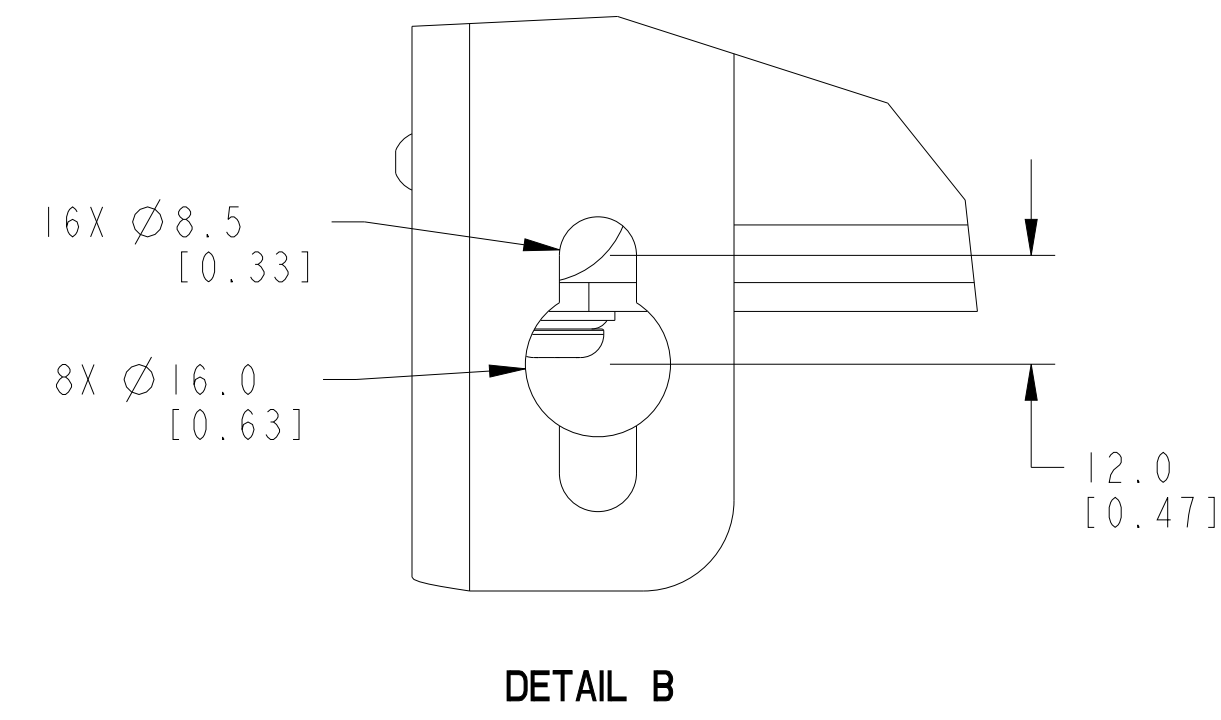
117.88 [4.64]
4" CONDUIT LOCATIONS FOR INFO ONLY



SEE DETAIL B



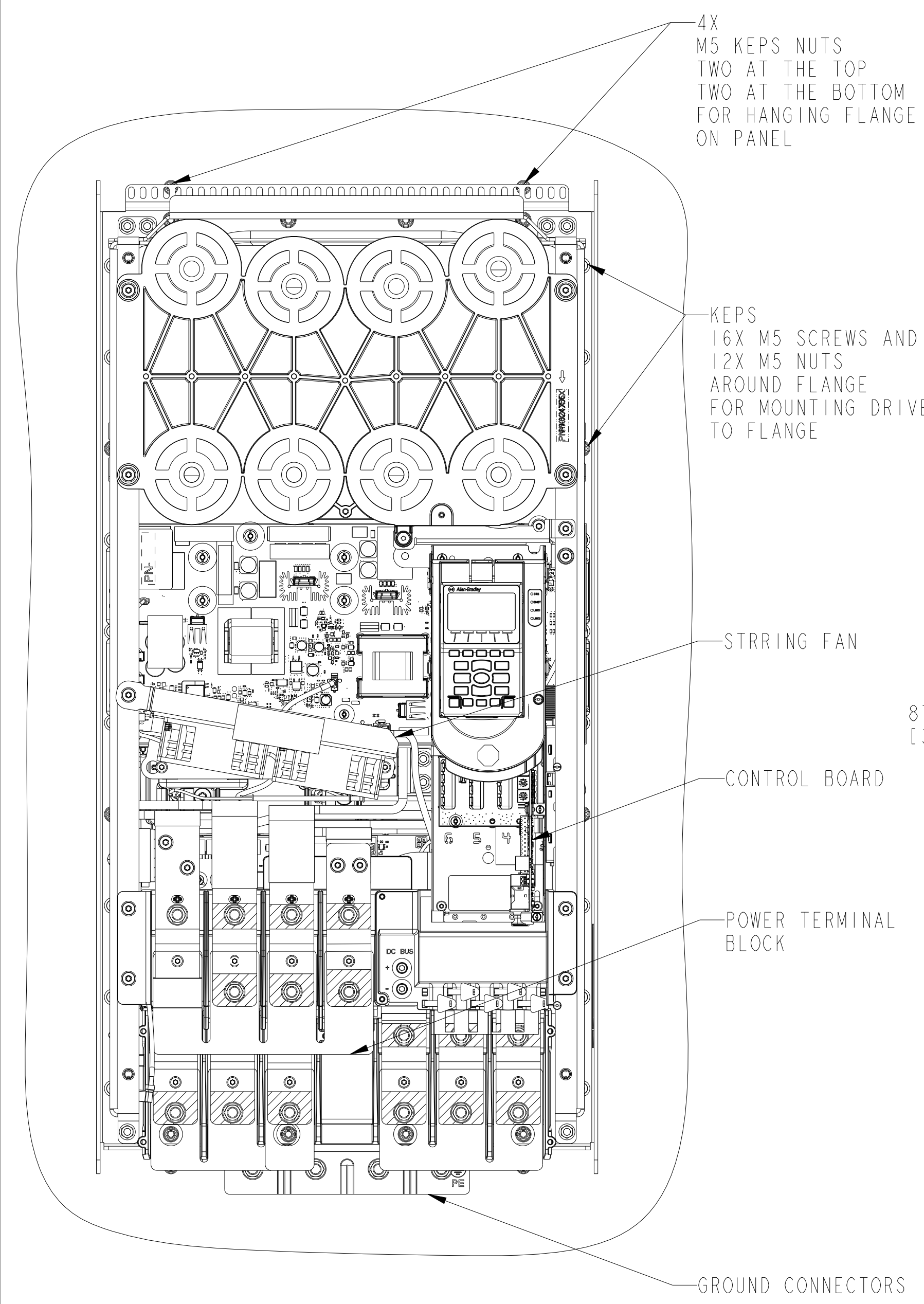
MOUNTING HOLE LOCATION



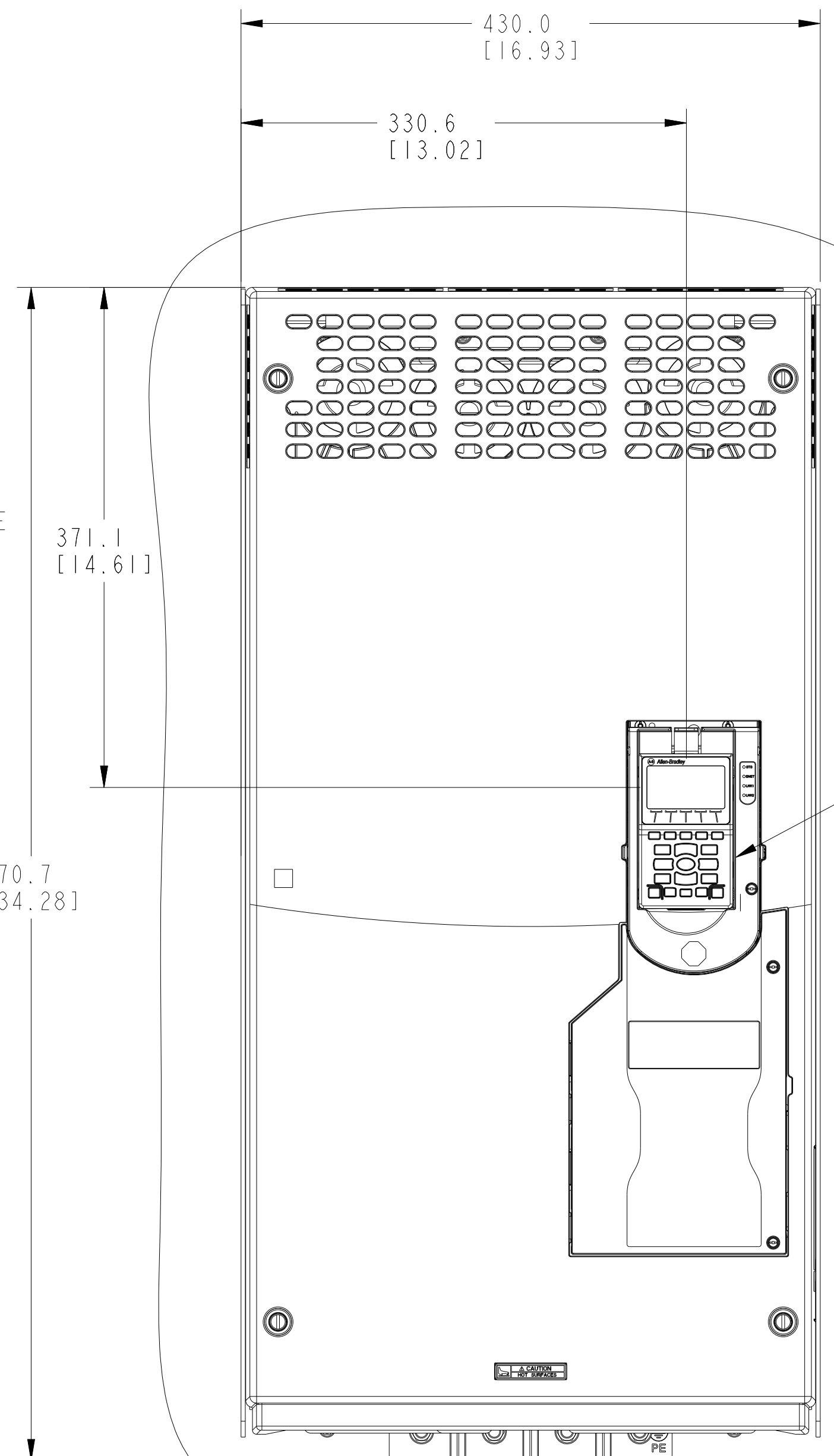
DETAIL B

| | | | |
|---------------------|-------------------------------|--|----------------|
| | | <small>CONFIDENTIAL AND PROPRIETARY INFORMATION. THIS DOCUMENT CONTAINS CONFIDENTIAL AND PROPRIETARY INFORMATION OF ROCKWELL AUTOMATION, INC. AND MAY NOT BE USED, COPIED OR DISCLOSED TO OTHERS, EXCEPT WITH THE AUTHORIZED WRITTEN PERMISSION OF ROCKWELL AUTOMATION, INC.</small> | |
| | | DATE: 2022-03-09 | SHEET 3 OF 6 |
| DESCRIPTION | STANDARD-SUBMITTAL PF75TS F-7 | SIZE D1R | VER |
| CREATED BY: PPOSTUL | CHANGED BY: BMACURA | D | 10005381231 02 |

TYPE 4X FLANGE DRIVE

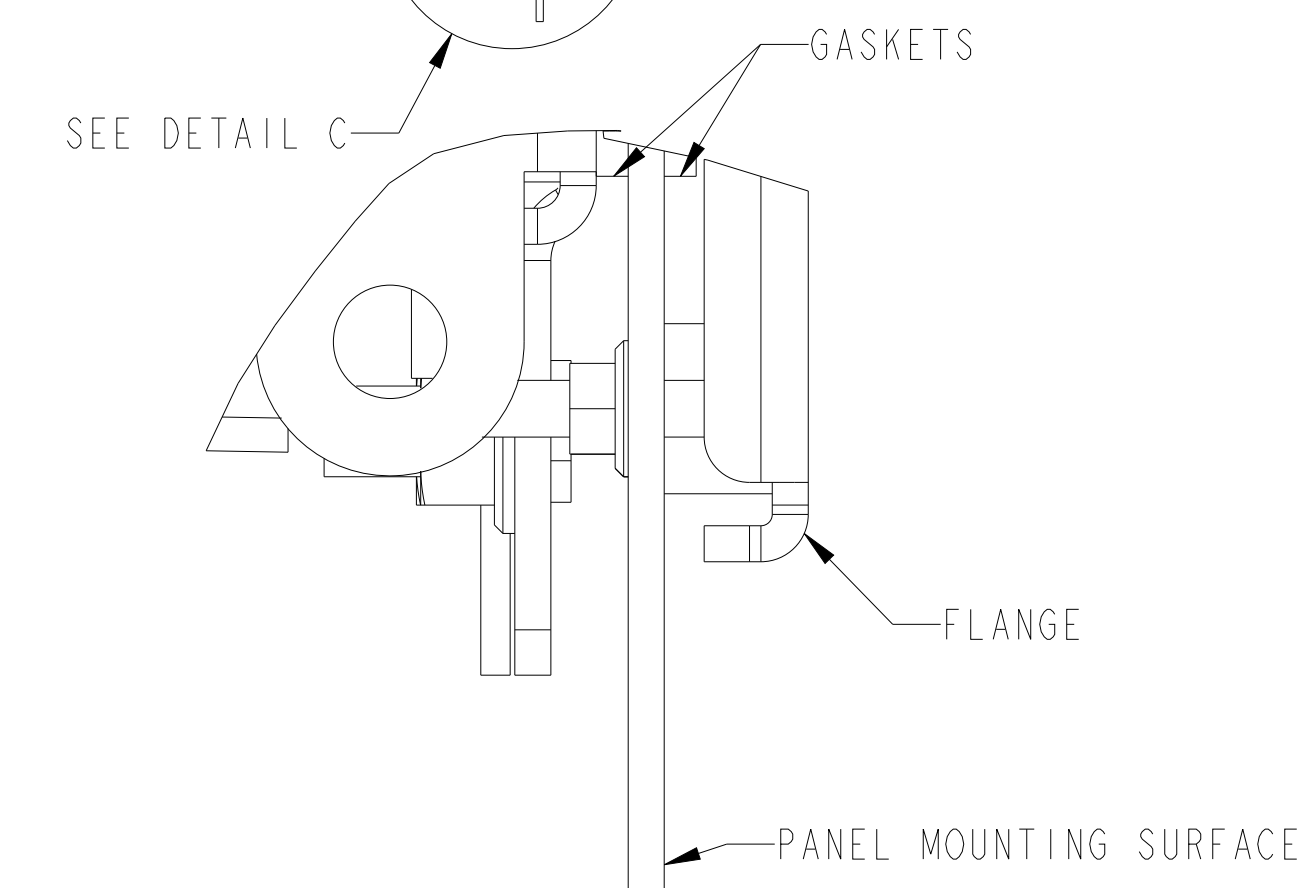
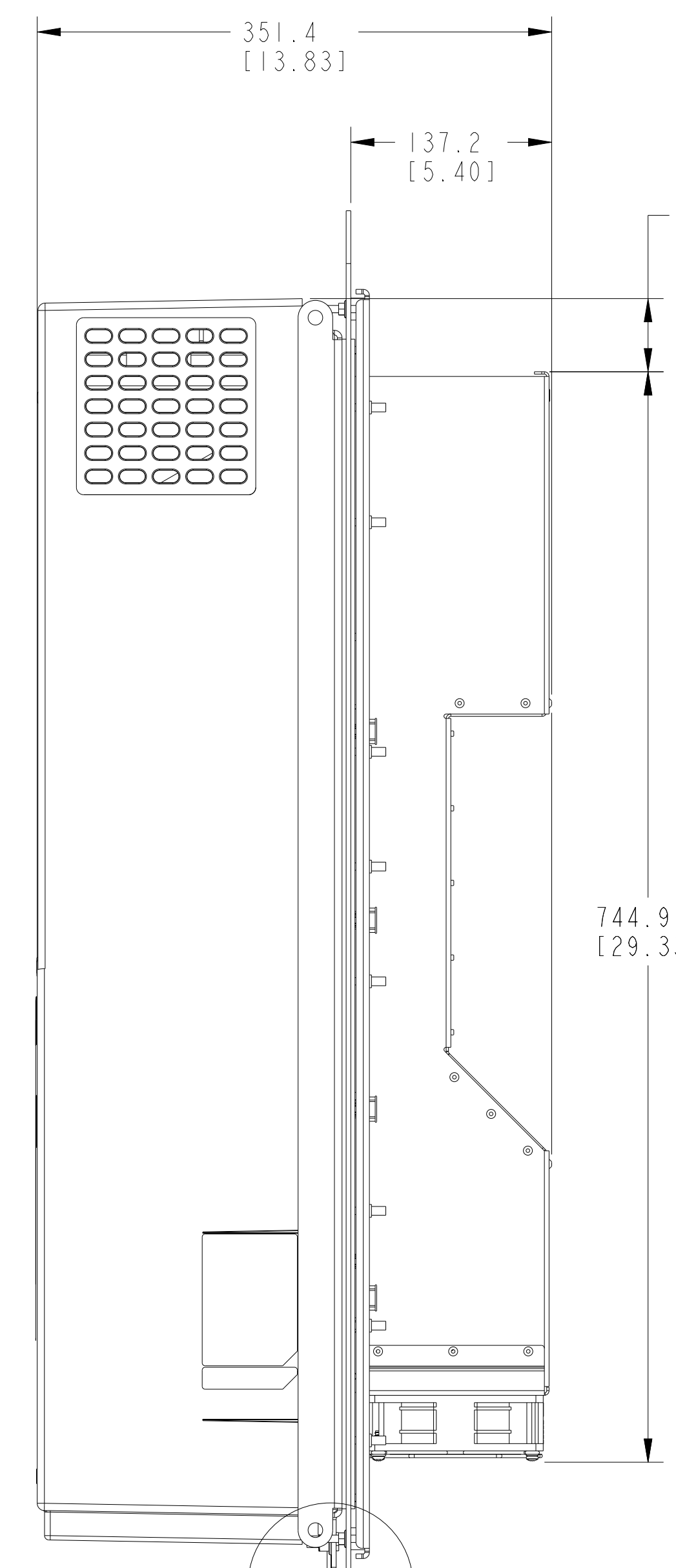
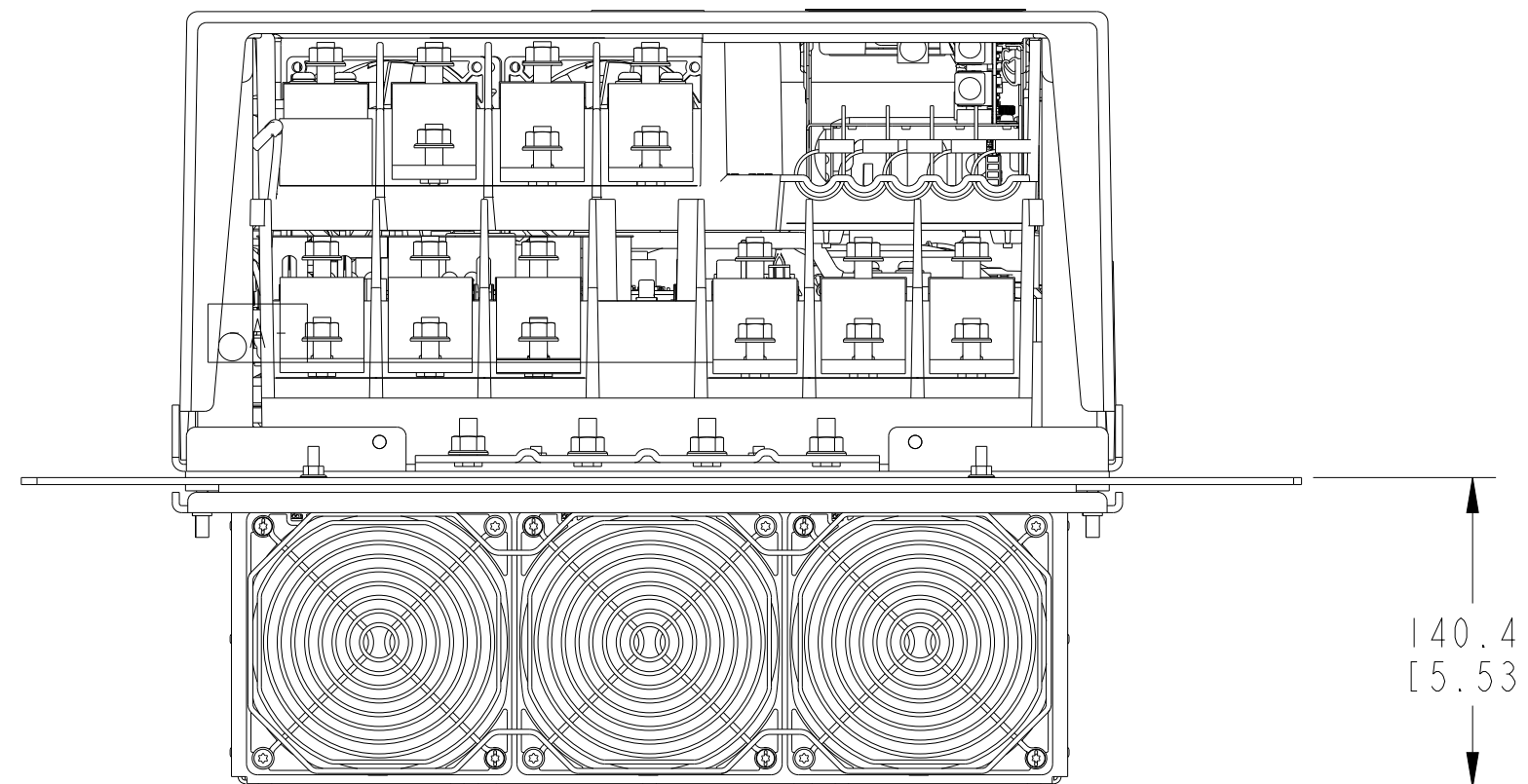


DRIVE COVER REMOVED

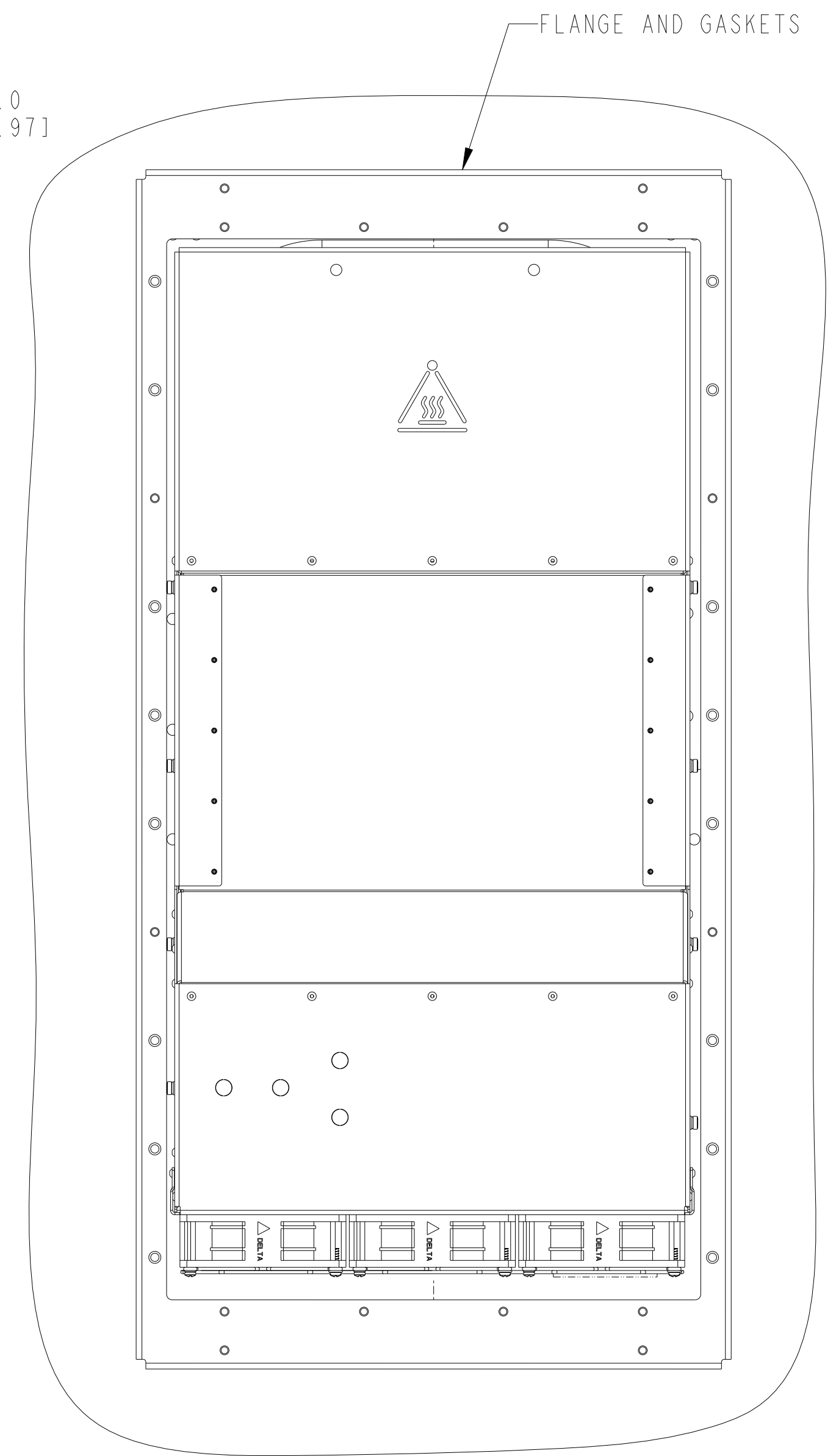


PANEL MOUNTING
SURFACE

HUMAN INTERFACE
MODULE (HIM)
OPTIONAL

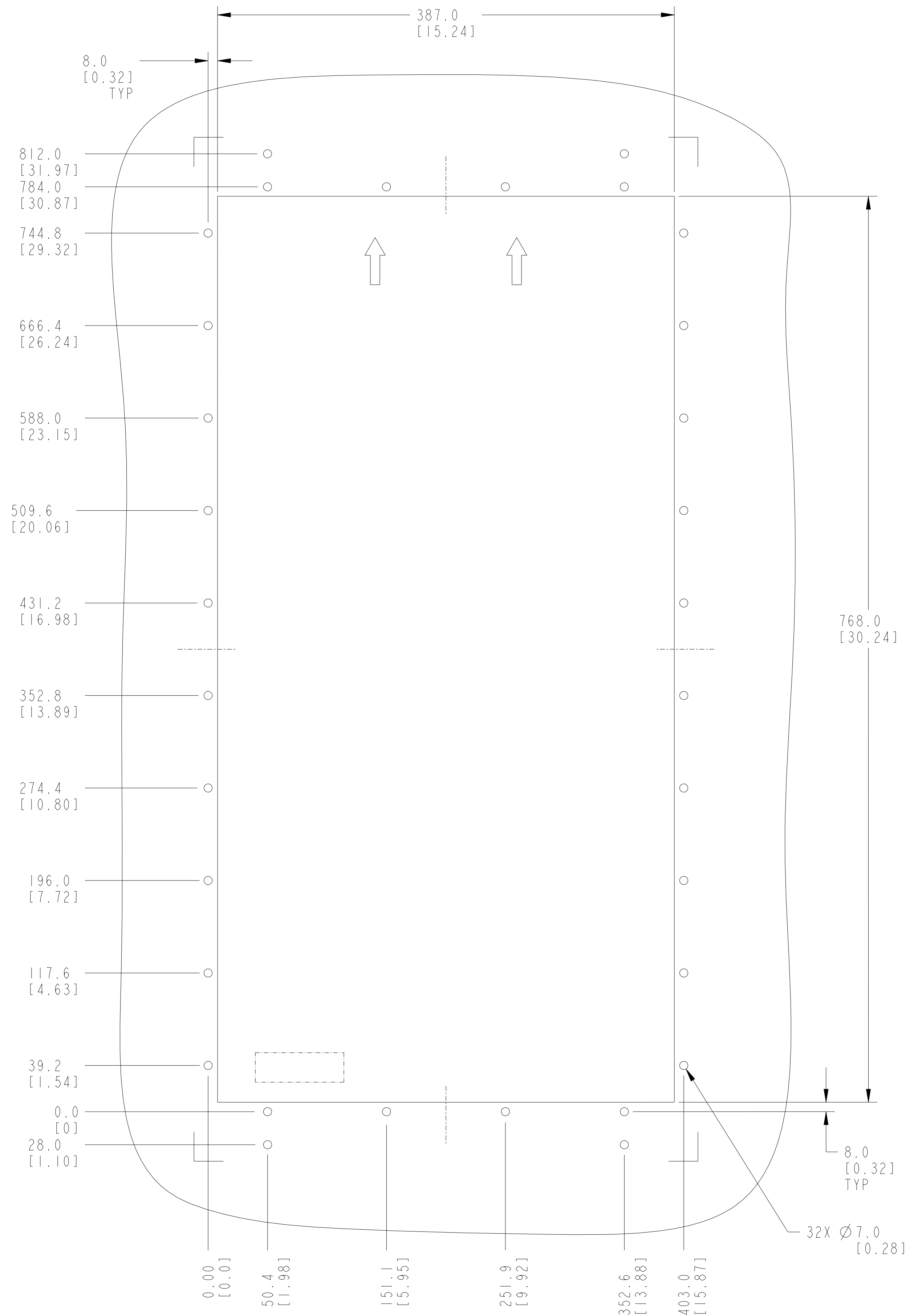


DETAIL C



| | | | |
|---|-------------------------------------|---|-----------------------------|
| | | <small>CONFIDENTIAL AND PROPRIETARY INFORMATION THIS DOCUMENT CONTAINS CONFIDENTIAL AND PROPRIETARY INFORMATION OF ROCKWELL AUTOMATION, INC. AND MAY NOT BE USED, COPIED OR DISCLOSED TO OTHERS, EXCEPT WITH THE AUTHORIZED WRITTEN PERMISSION OF ROCKWELL AUTOMATION, INC.</small> | |
| | | <small>DATE: 2022-03-09</small> | <small>SHEET 4 OF 6</small> |
| <small>DESCRIPTION</small> STANDARD-SUBMITTAL PF755TS F-7 | <small>SIZE D1R</small> D | <small>VER</small> 02 | <small>10005381231</small> |
| <small>CREATED BY: PPOSTUL</small> | <small>CHANGED BY: BMACURA</small> | | |

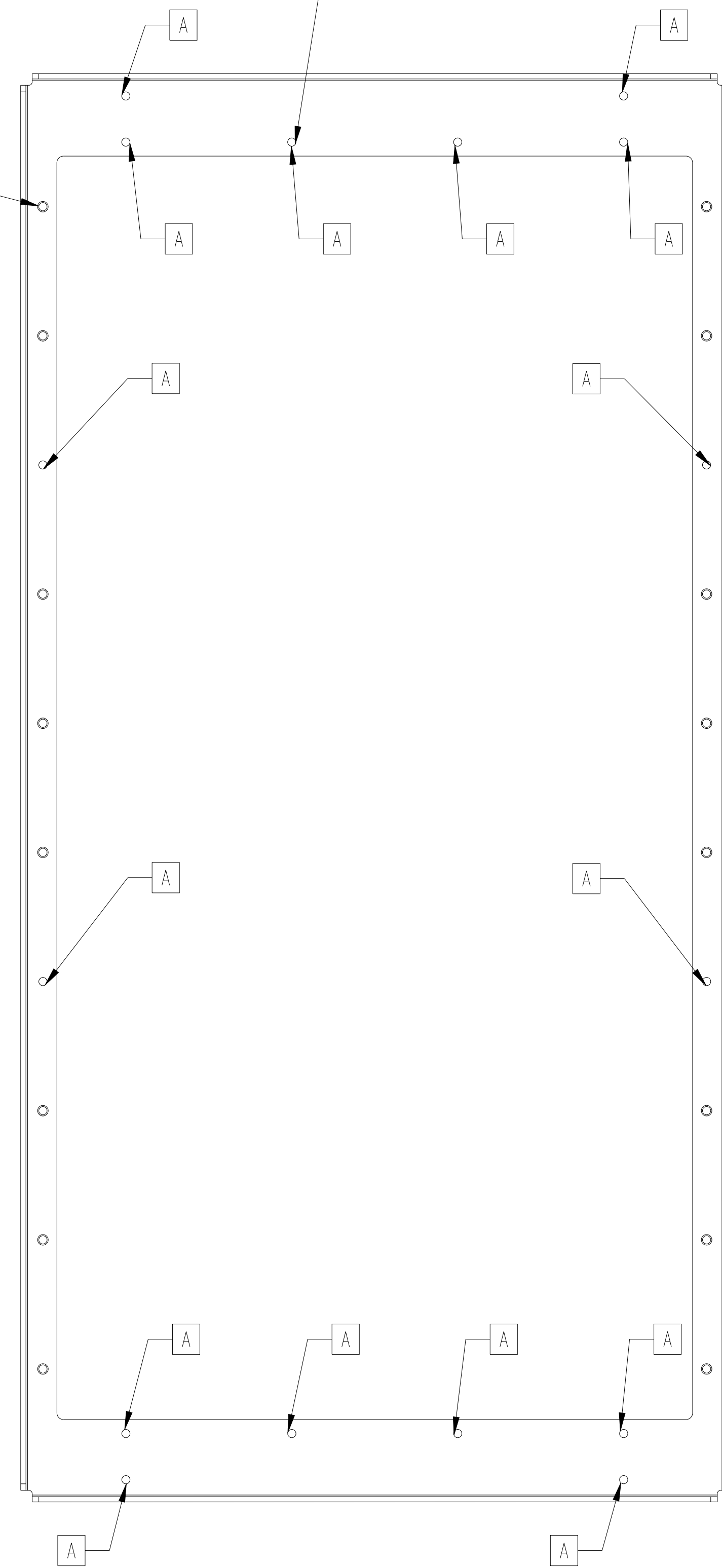
TYPE 4X FLANGE DRIVE



FLANGE MOUNT DRIVE PANEL CUTOUT

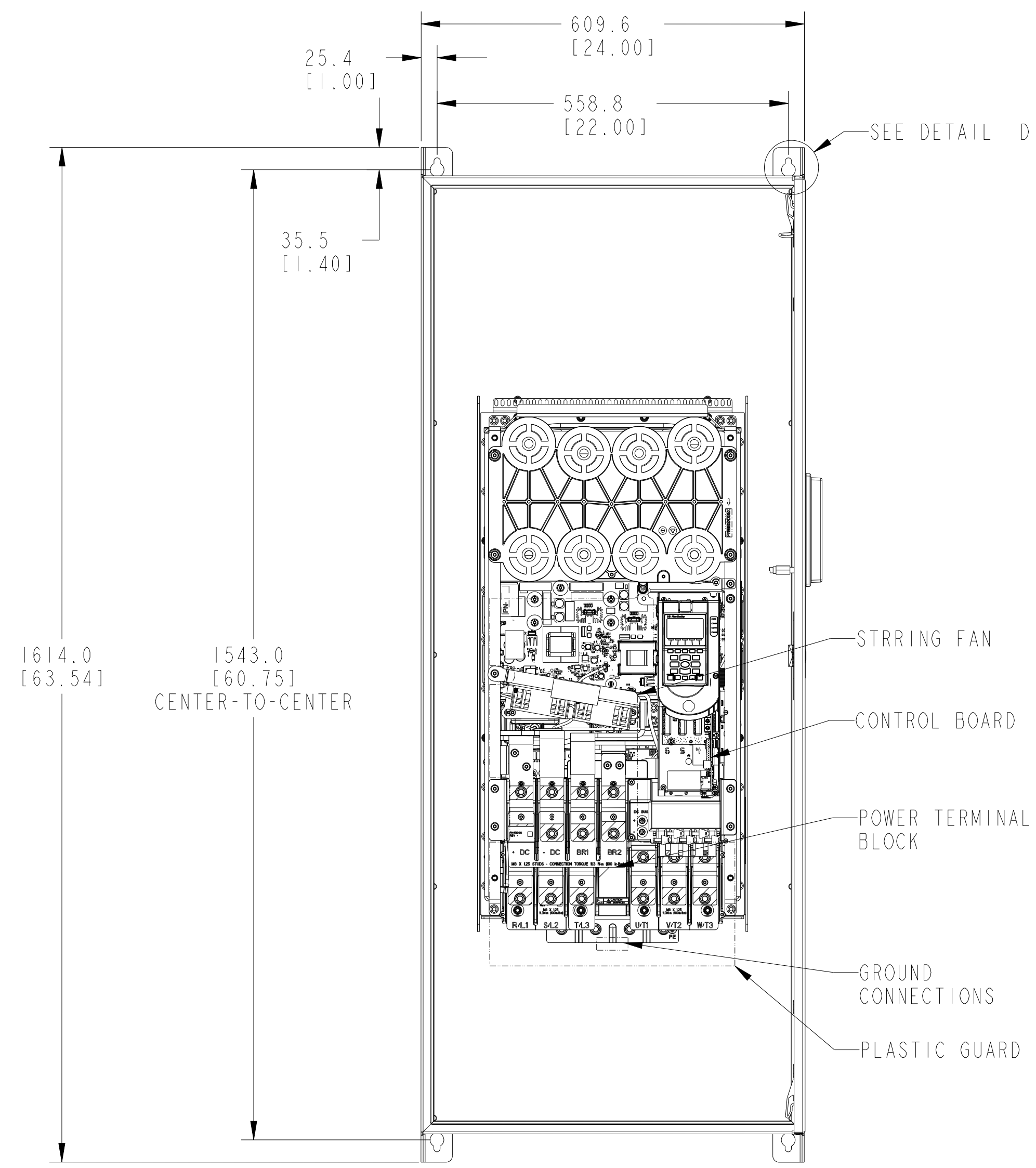
16X M5 BLIND FASTENER HOLES FOR MOUNTING DRIVE TO FLANGE

16X M5 PEM STUDS FOR ALIGNMENT TO PANEL AND MOUNTING DRIVE TO FLANGE MARKED AS "A"

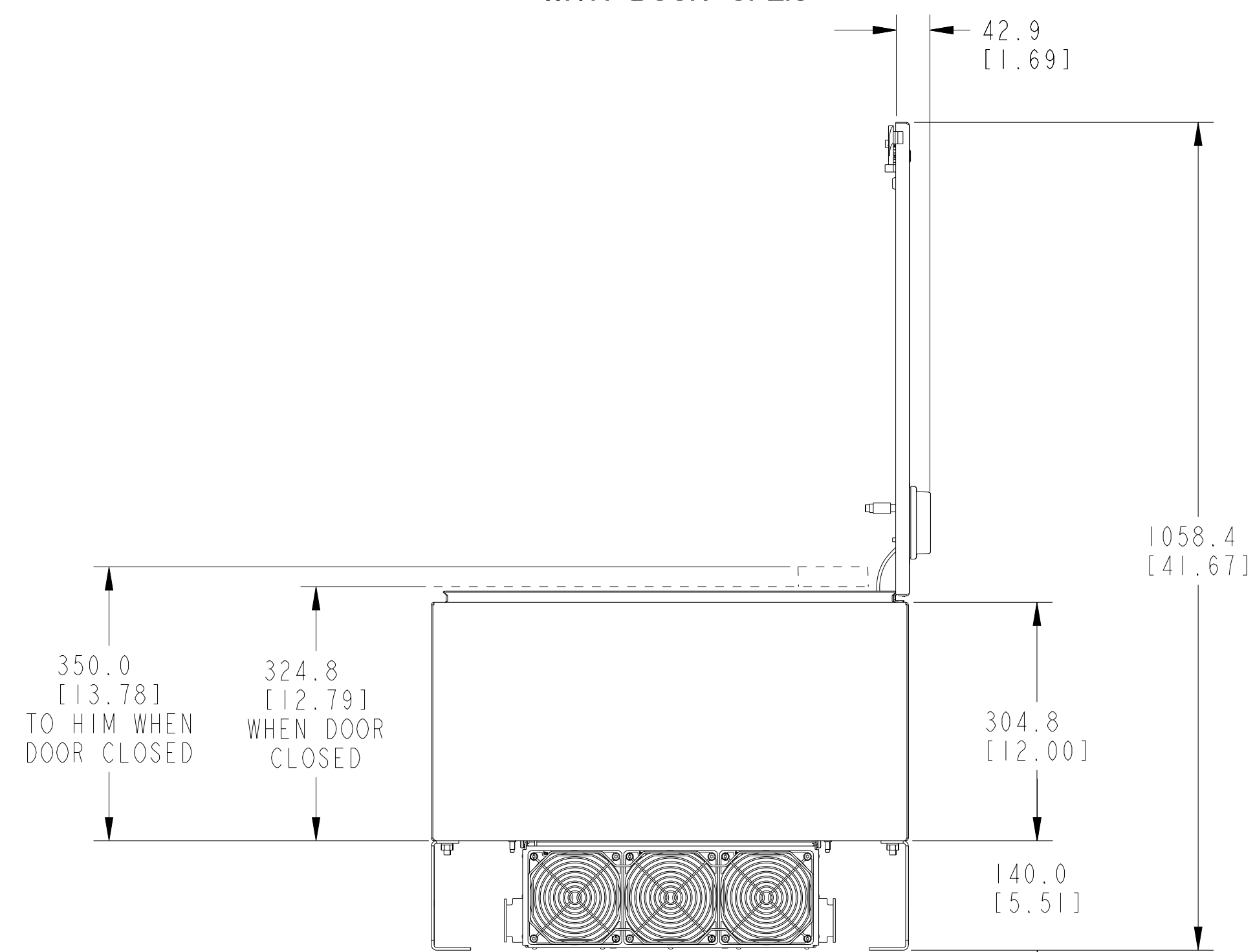


| | | | |
|---------------------|--------------------------------|--|--------------|
| | | <small>CONFIDENTIAL AND PROPRIETARY INFORMATION. THIS DOCUMENT CONTAINS CONFIDENTIAL AND PROPRIETARY INFORMATION OF ROCKWELL AUTOMATION, INC. AND MAY NOT BE USED, COPIED OR DISCLOSED TO OTHERS, EXCEPT WITH THE AUTHORIZED WRITTEN PERMISSION OF ROCKWELL AUTOMATION, INC.</small> | |
| | | DATE: 2022-03-09 | SHEET 5 OF 6 |
| DESCRIPTION | STANDARD-SUBMITTAL PF755TS F-7 | SIZE | D1R |
| CREATED BY: PPOSTUL | CHANGED BY: BMACURA | D | 10005381231 |
| | | | 02 |

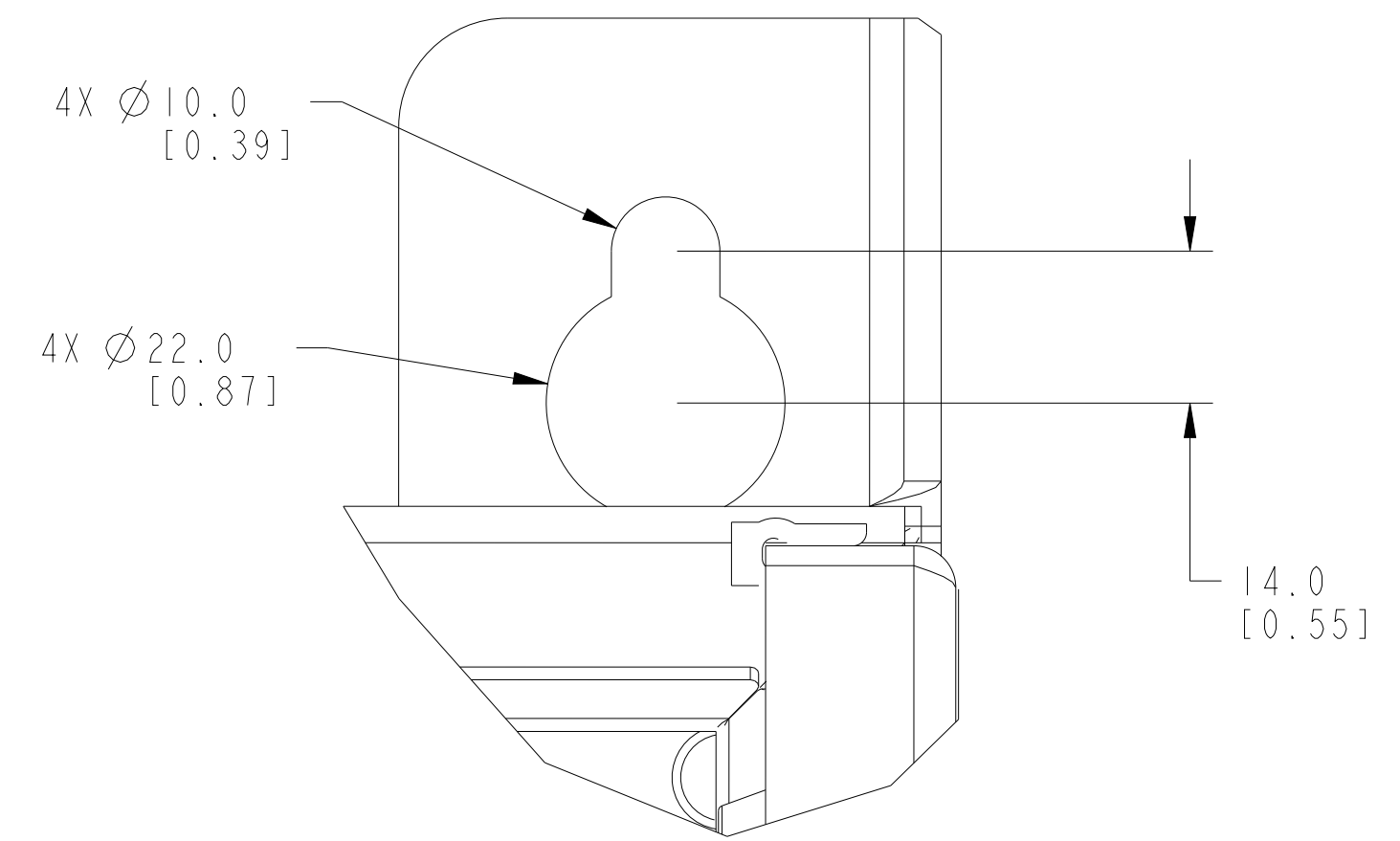
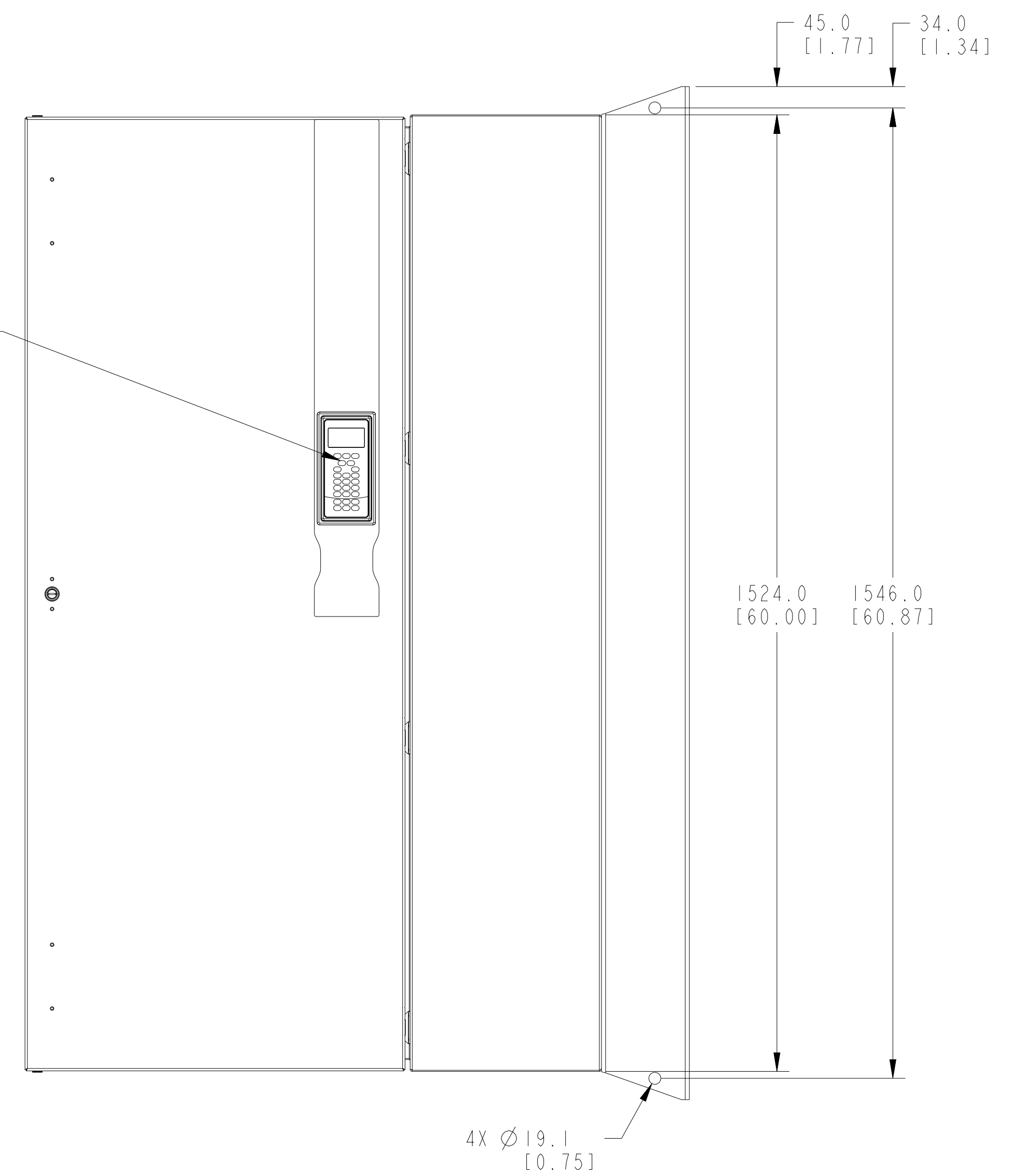
TYPE 12 DRIVE



ENCLOSURE WITH DOOR OPEN



HUMAN INTERFACE MODULE (HIM) OPTIONAL



| | | | |
|---------------------|--------------------------------|--|--------------|
| | | <small>CONFIDENTIAL AND PROPRIETARY INFORMATION. THIS DOCUMENT CONTAINS CONFIDENTIAL AND PROPRIETARY INFORMATION OF ROCKWELL AUTOMATION, INC. AND MAY NOT BE USED, COPIED OR DISCLOSED TO OTHERS, EXCEPT WITH THE AUTHORIZED WRITTEN PERMISSION OF ROCKWELL AUTOMATION, INC.</small> | |
| | | DATE: 2022-03-09 | SHEET 6 OF 6 |
| DESCRIPTION | STANDARD-SUBMITTAL PF755TS F-7 | SIZE | D1R |
| CREATED BY: PPOSTUL | CHANGED BY: BMACURA | D | 10005381231 |
| | | | 02 |