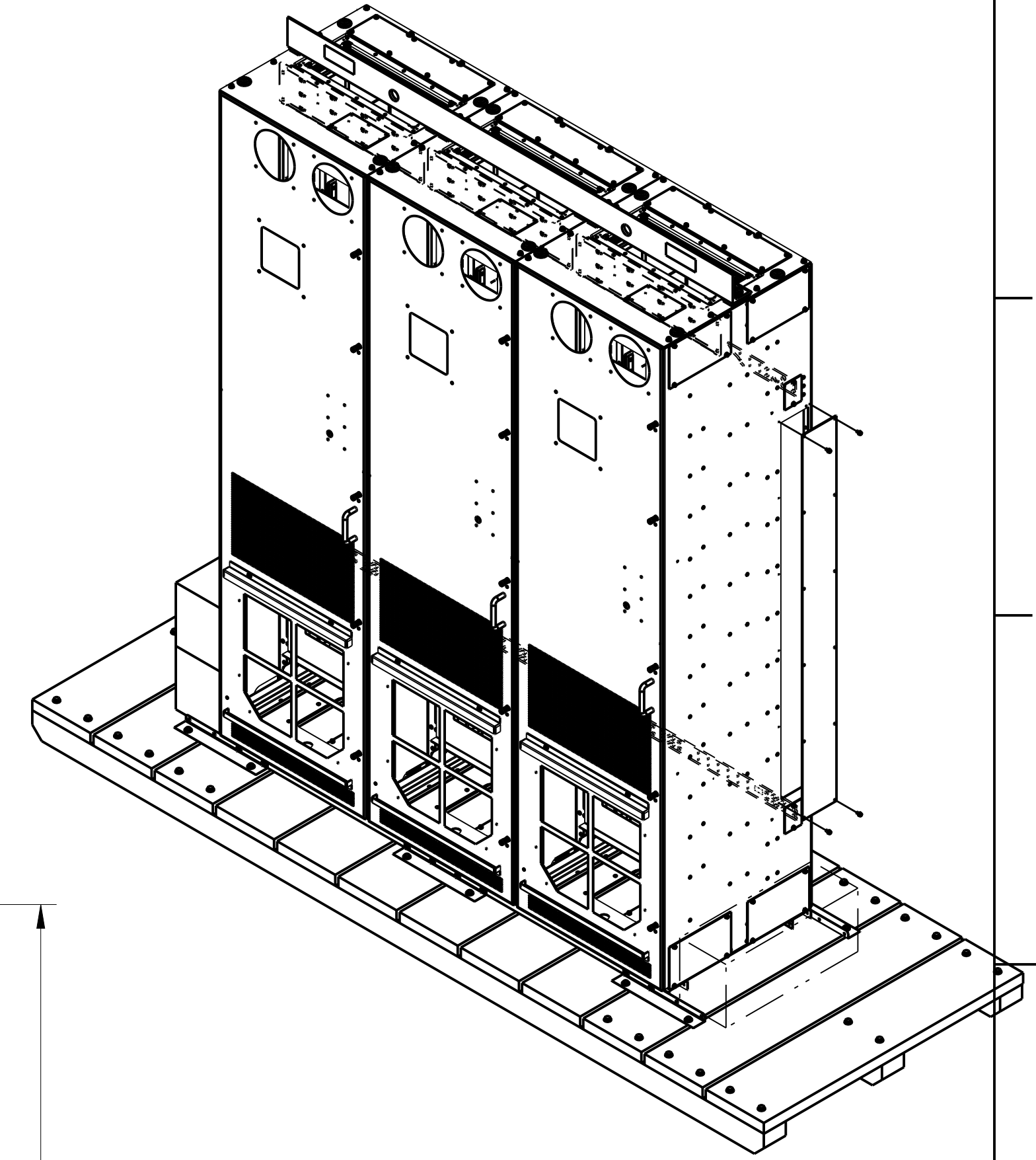
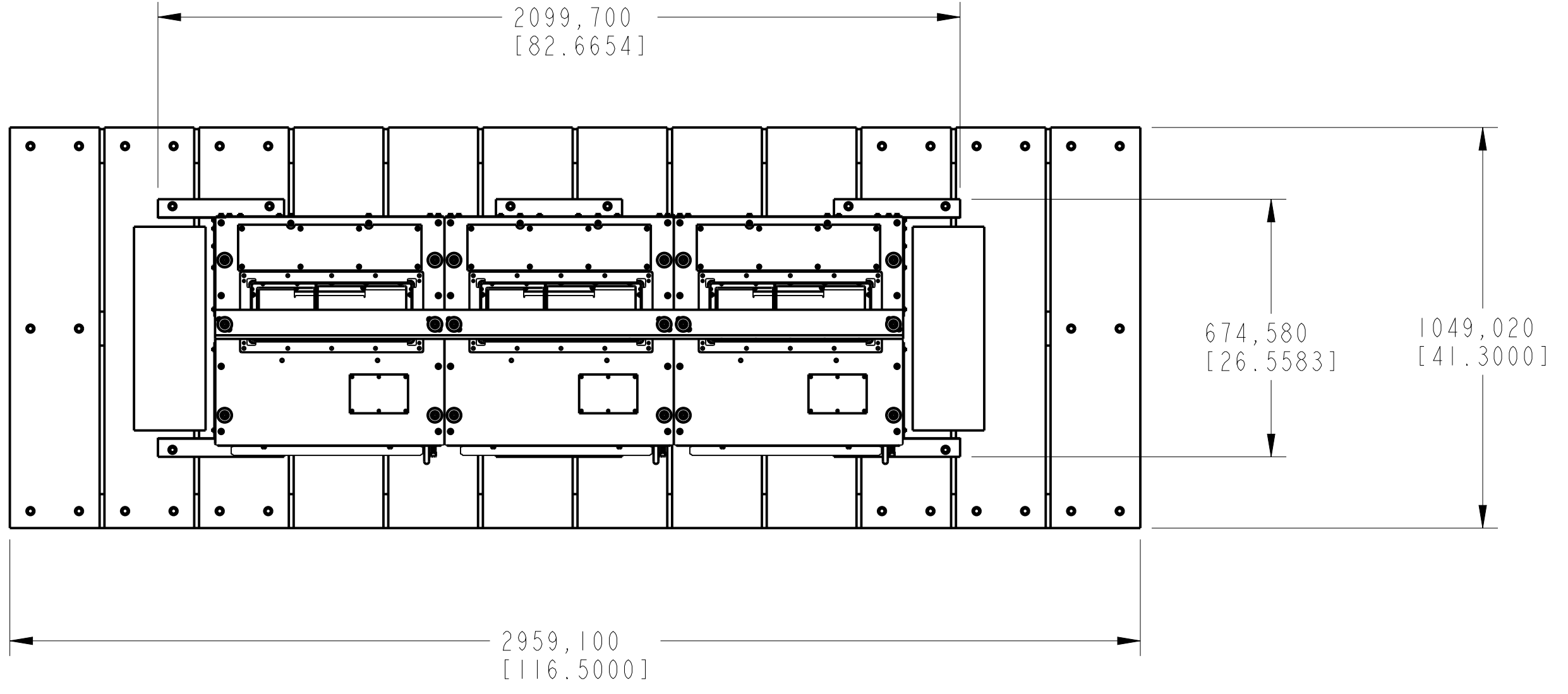


1 2 3 4 5 6 7 8

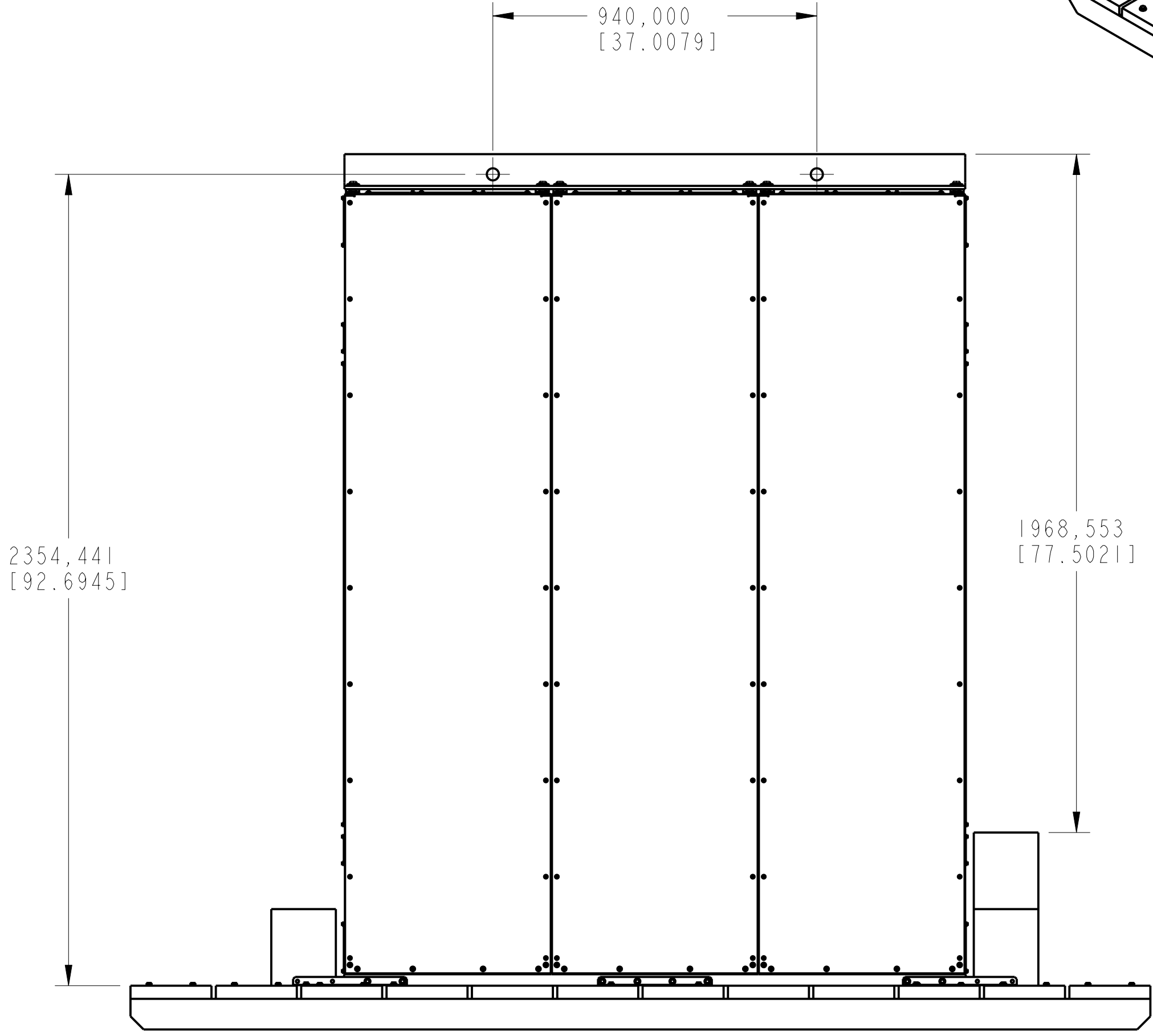
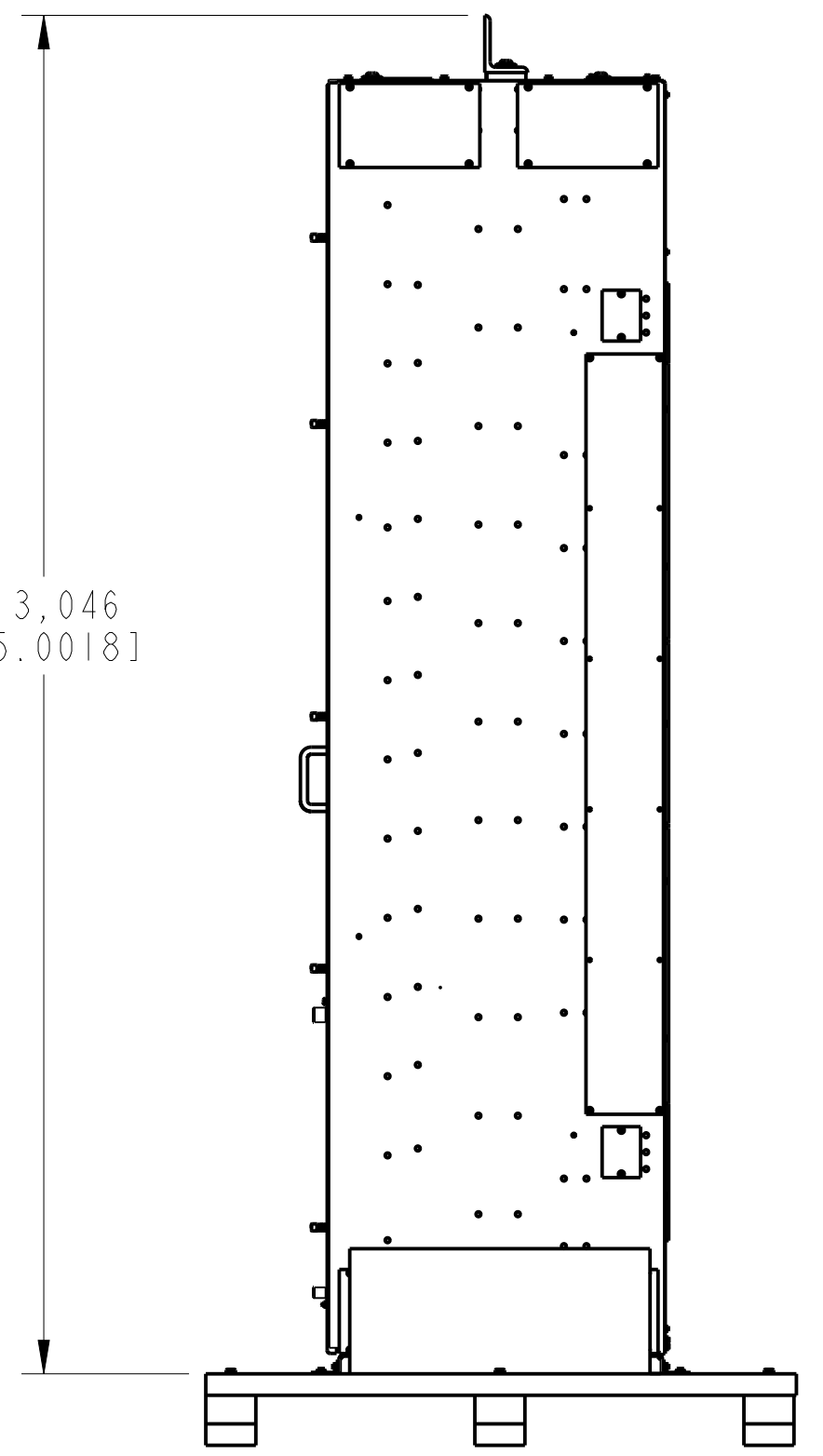
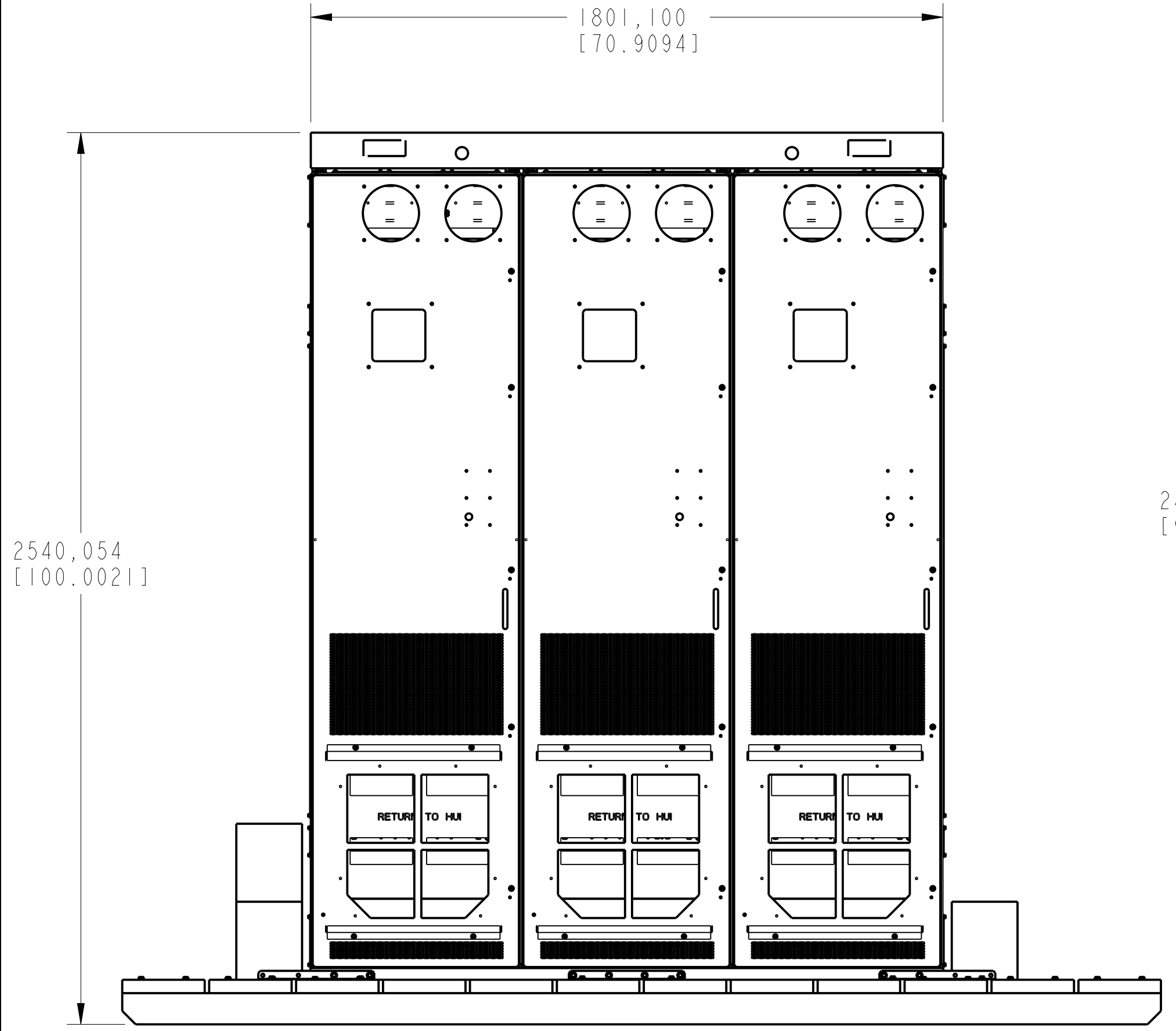
CLASSIFICATION TABLE

P=PERFORMANCE, F=FIT, A=ASSEMBLY (USE ONLY WITH Ø SYMBOL)  
 X=IDENTIFIES APPLICABLE CLASSIFICATION(S)  
 Ⓞ=REQUIRED BY ENGINEERING AND/OR MANUFACTURING  
 Ⓢ=STRICT CONFORMANCE TO SPECIFICATION REQUIRED AND IS NOT NEGOTIABLE (MAY BE REQUIRED BY REGULATORY AGENCY)

CHARACTERISTIC -OR- DIMENSION	COMMENT	DRAWING LOCATION (ZONE)	P	F	A	R



FULLY FABRICATED FRAME 10 DRIVE CABINET  
 600 DEEP PN-392926



DIMENSIONS APPLY BEFORE SURFACE TREATMENT  
 DIMENSIONS IN MILLIMETERS  
 TOLERANCES UNLESS OTHERWISE SPECIFIED  
 .X: ± 0.8 [0.31]  
 .XX: ± 0.50 [0.020]  
 ANG: ± 1°

**Rockwell Automation**

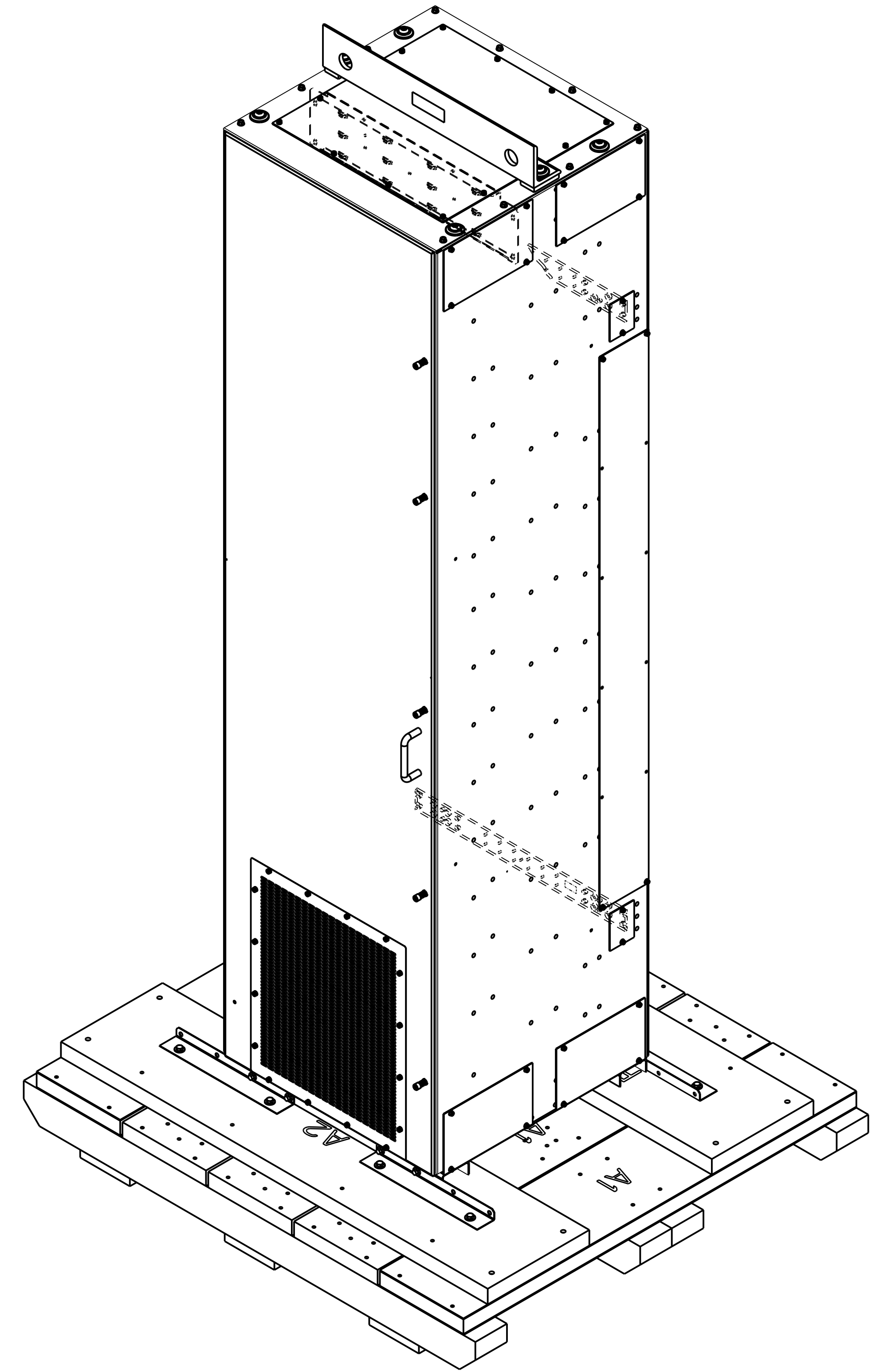
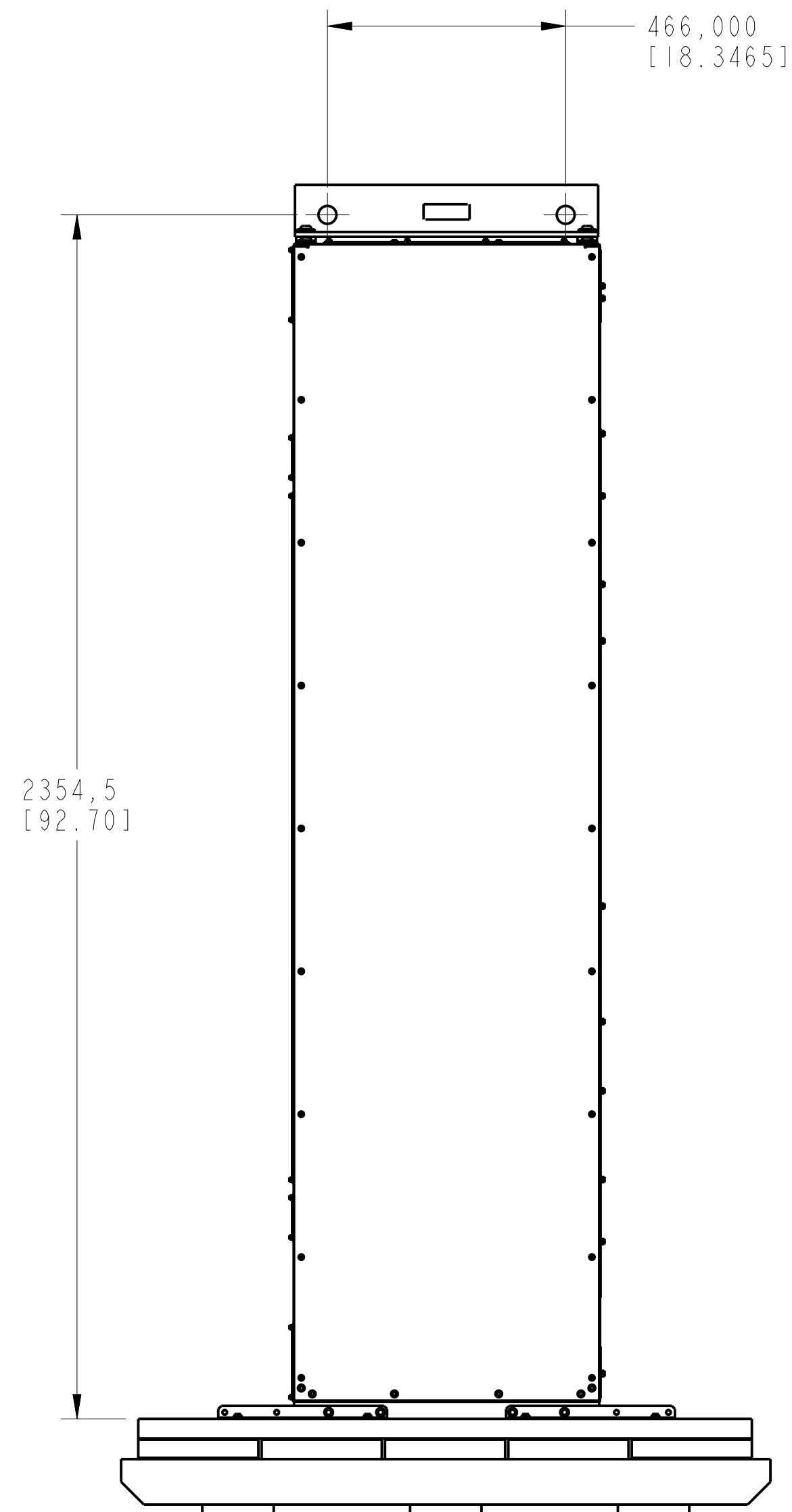
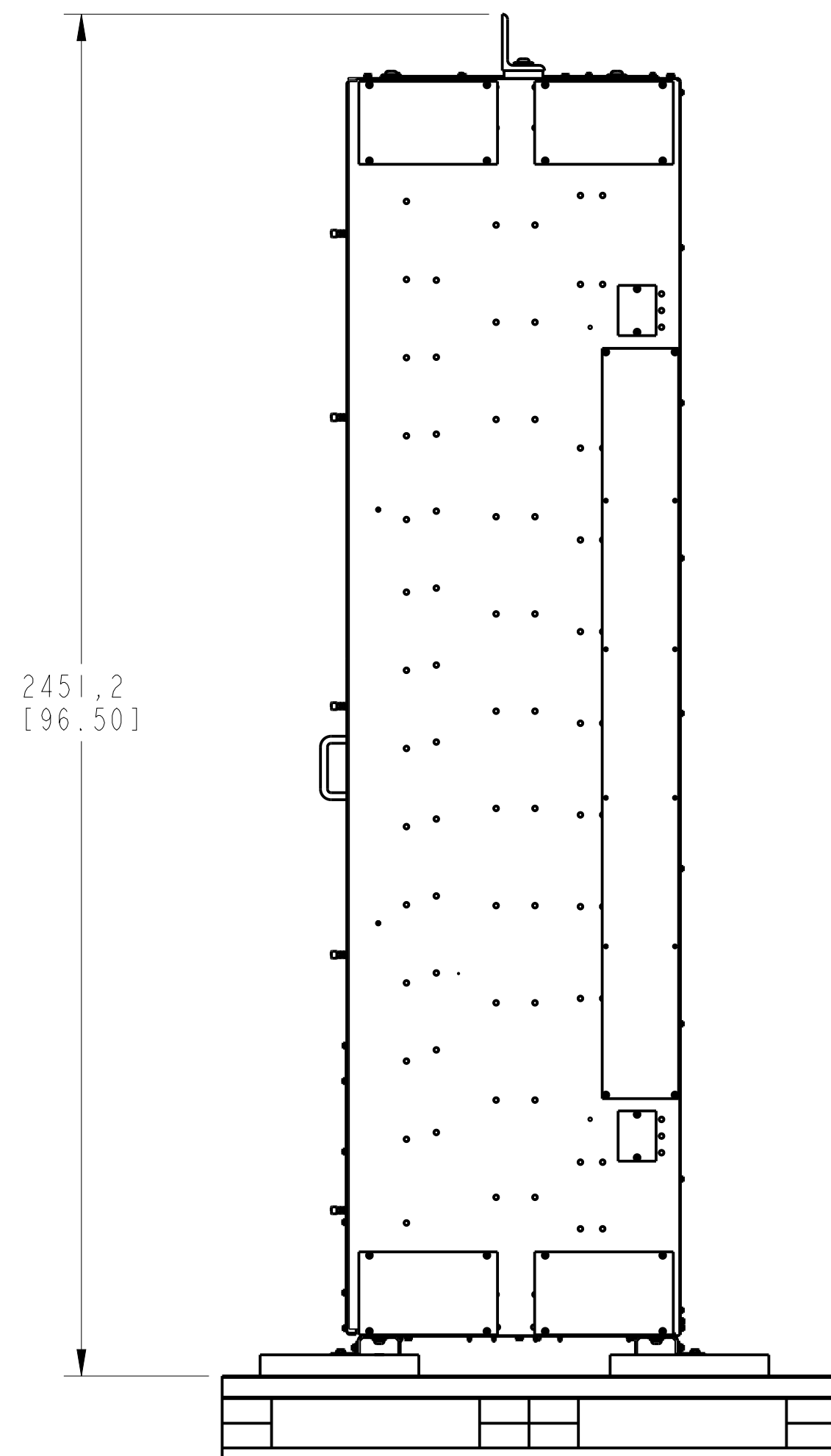
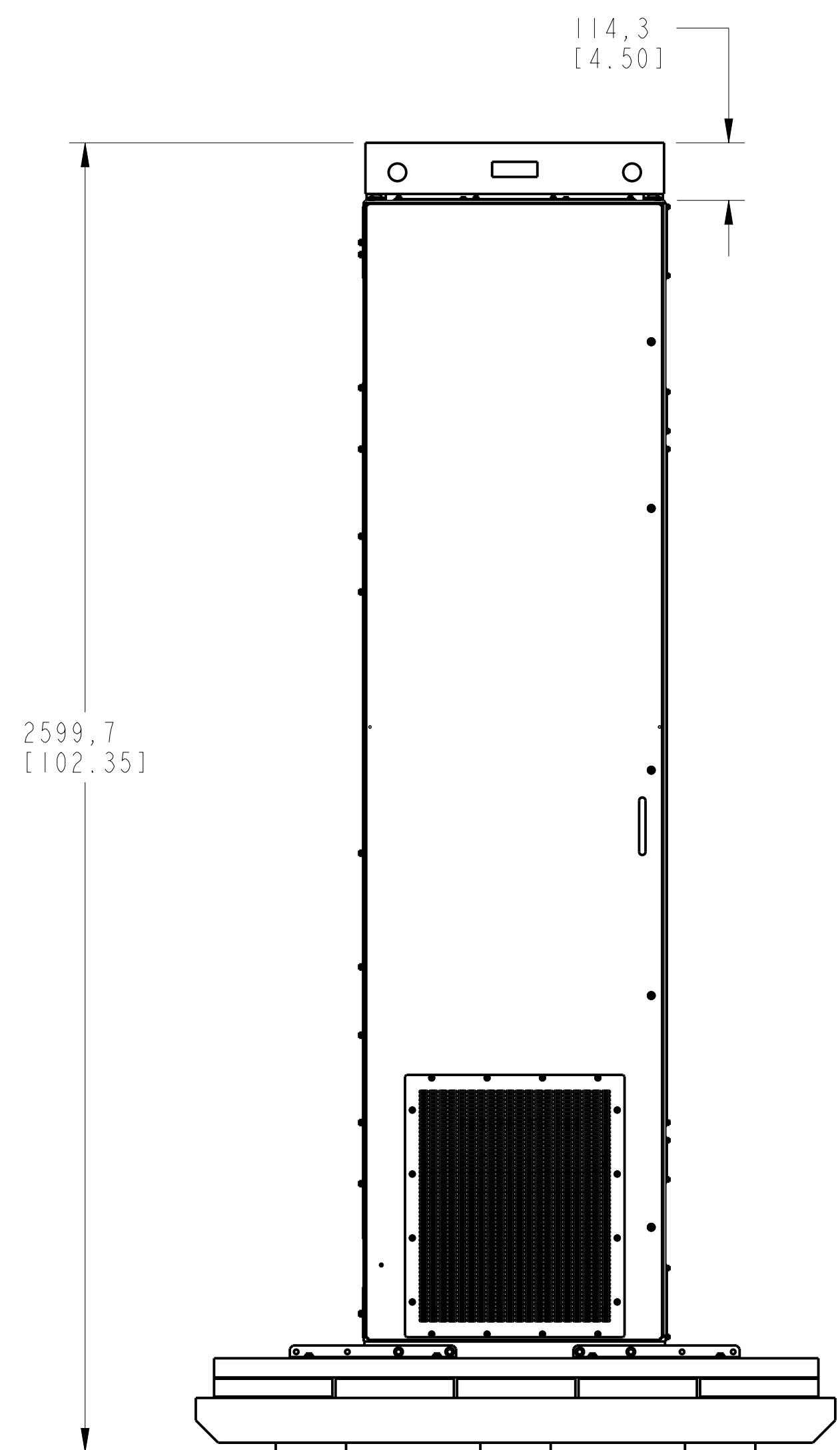
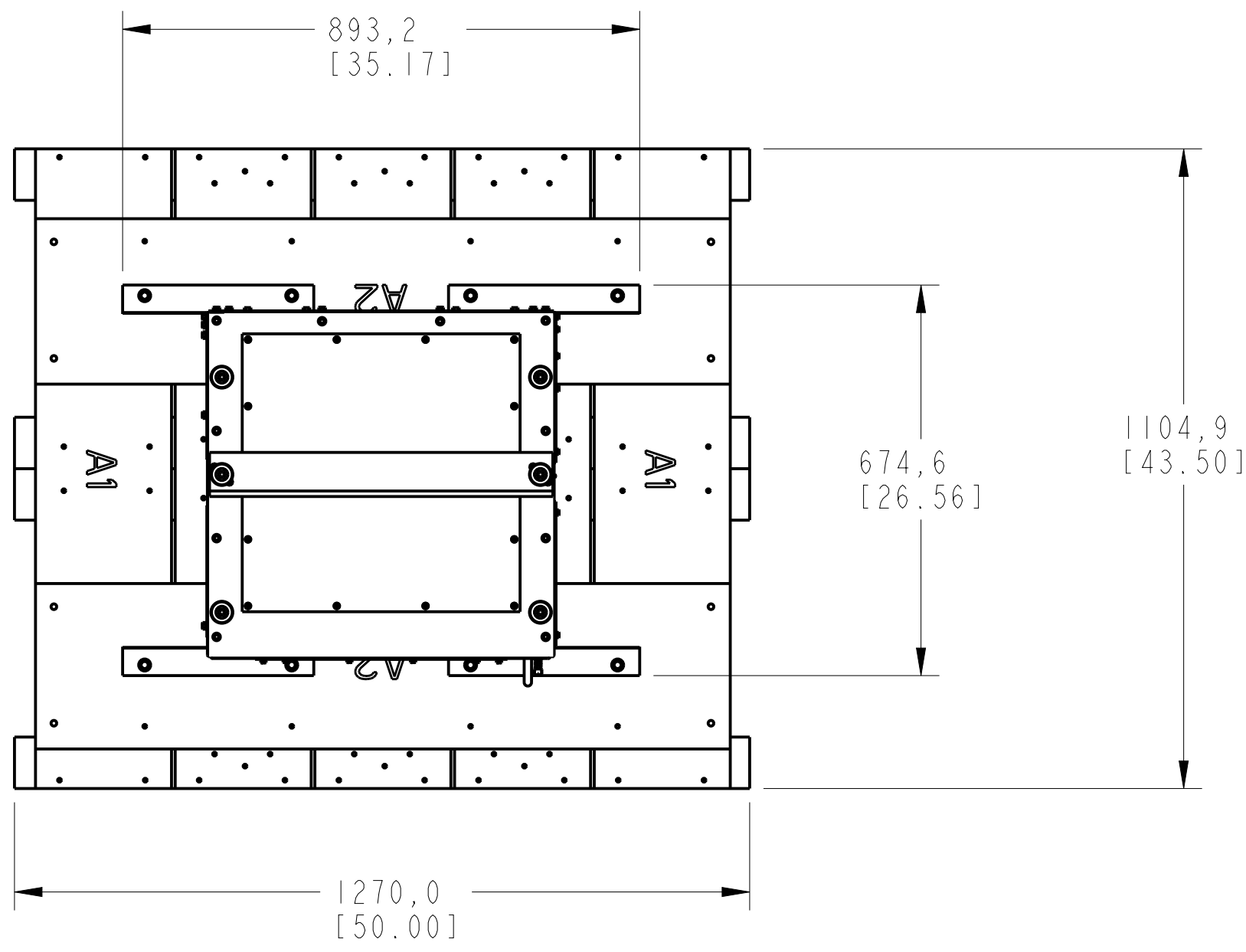
STANDARD .PF750-FRAME-10-AC-600mm-IP20

Drawn by: RSUBRAMI Date: APR-28-2017

CONFIDENTIAL AND PROPRIETARY INFORMATION  
 THIS DOCUMENT CONTAINS CONFIDENTIAL AND PROPRIETARY INFORMATION OF ROCKWELL AUTOMATION, INC. AND MAY NOT BE USED, COPIED OR DISCLOSED TO OTHERS, EXCEPT WITH THE AUTHORIZED WRITTEN PERMISSION OF ROCKWELL AUTOMATION, INC.

Sheet 8 Of 14

10000218183 08



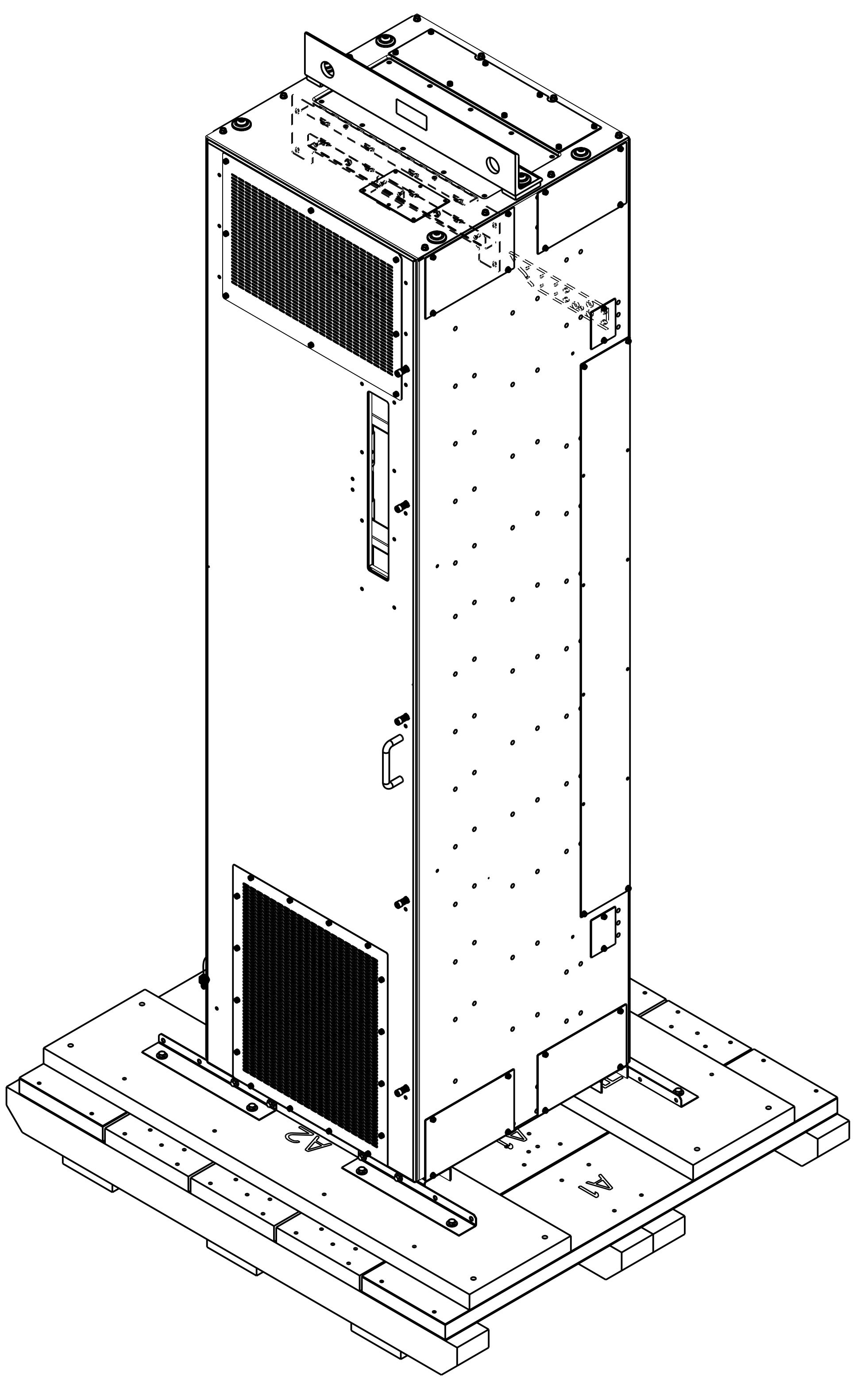
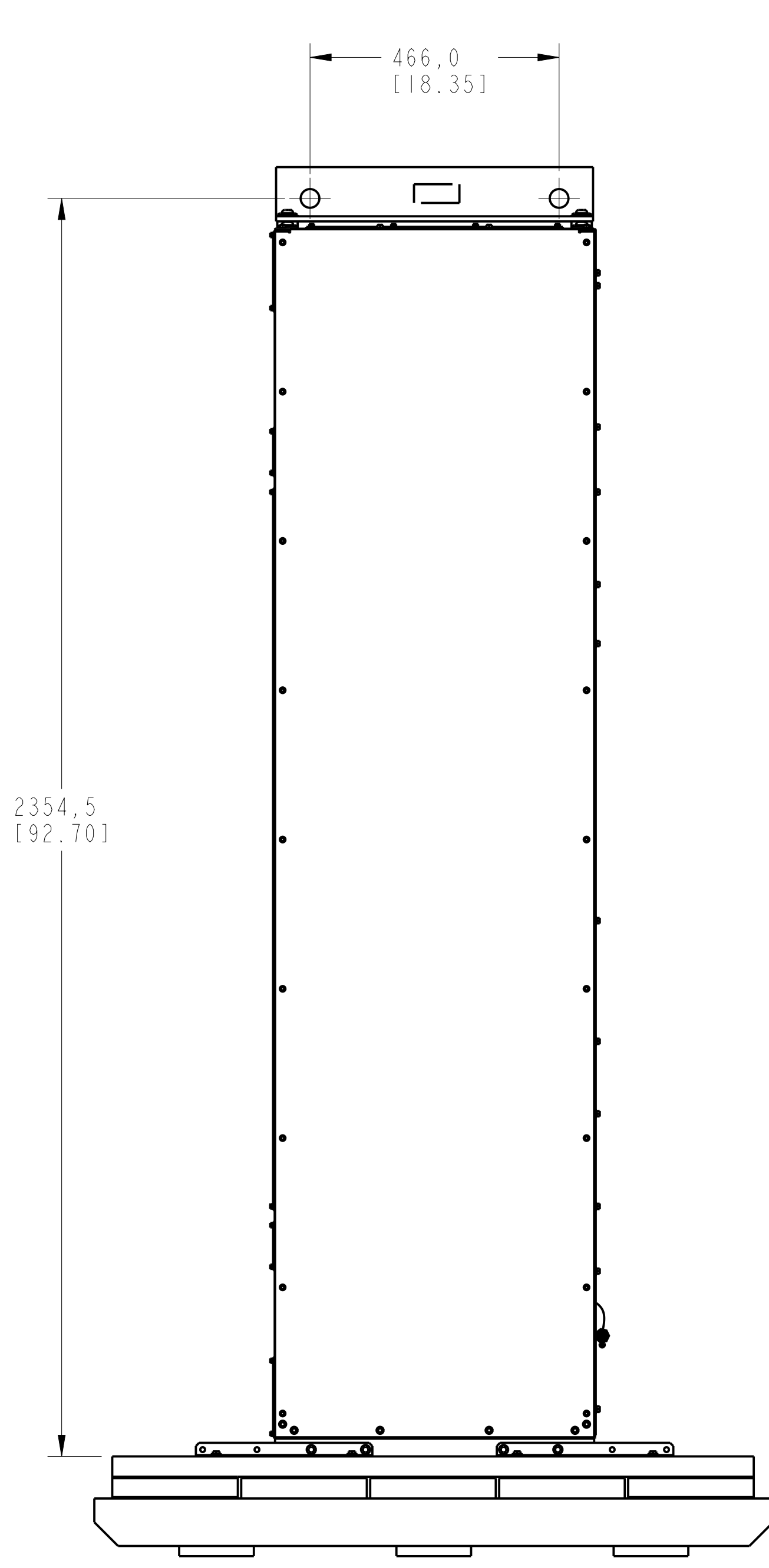
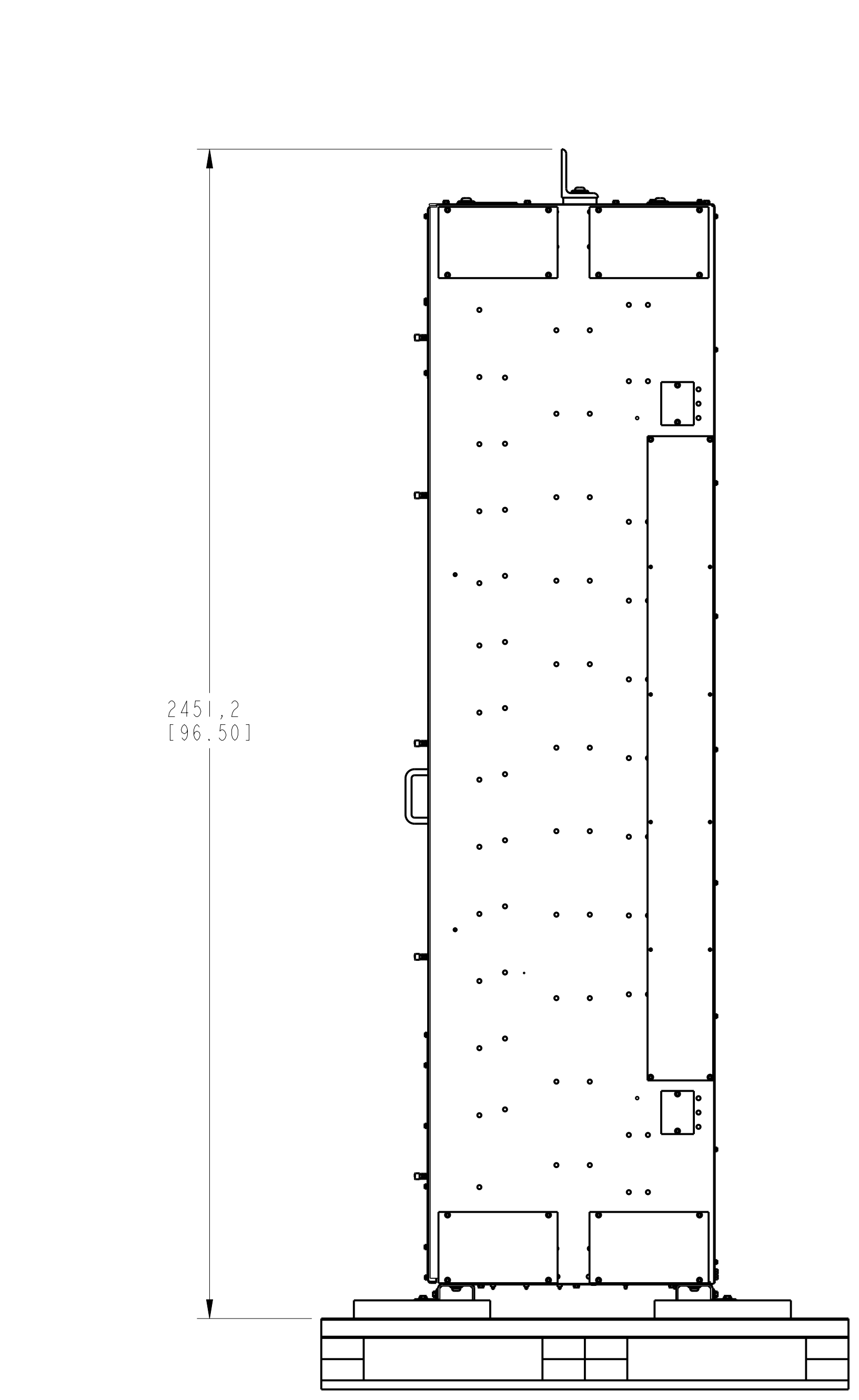
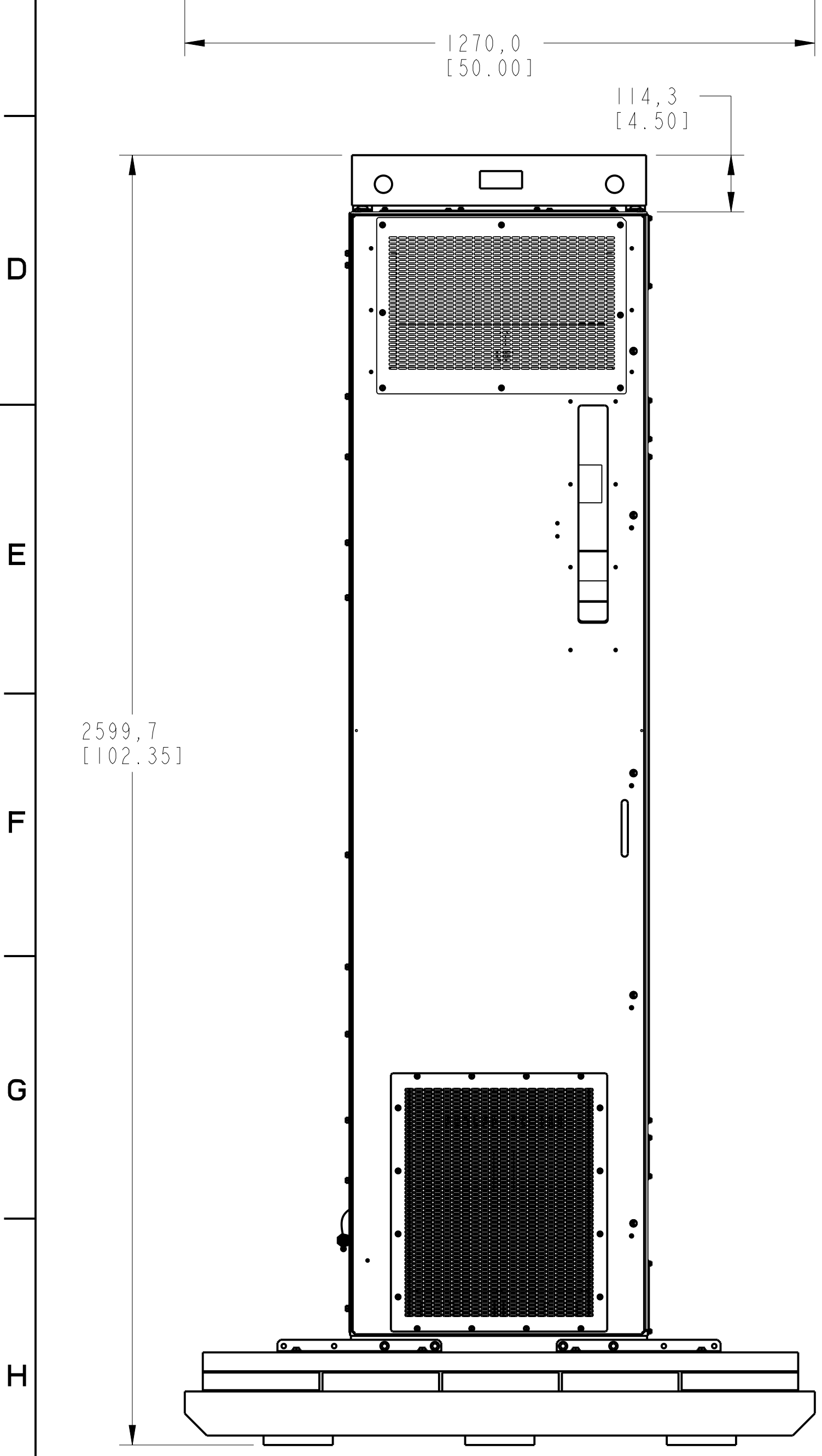
FULLY FABRICATED FRAME 10 ADD-ON WIRE BAY 600 DEEP  
PN-392948

DIMENSIONS APPLY BEFORE SURFACE TREATMENT	
DIMENSIONS IN MILLIMETERS	
TOLERANCES UNLESS OTHERWISE SPECIFIED	
.X: ±	0.8 [0.31]
.XX: ±	0.50 [0.020]
ANG: ±	1°

<b>Rockwell Automation</b>	
STANDARD PF750-FRAME-10-AC-600mm WIRING BAY-IP20	
Drawn by: RSUBRAMI	Date: APR-28-2017

CONFIDENTIAL AND PROPRIETARY INFORMATION. THIS DOCUMENT CONTAINS CONFIDENTIAL AND PROPRIETARY INFORMATION OF ROCKWELL AUTOMATION, INC. AND MAY NOT BE USED, COPIED OR DISCLOSED TO OTHERS, EXCEPT WITH THE AUTHORIZED WRITTEN PERMISSION OF ROCKWELL AUTOMATION, INC.	
Sheet 9 Of 14	
Size	Ver
D	08
10000218183	

1 2 3 4 5 6 7 8



FULLY FABRICATED FRAME 10 ADD-ON OPTION BAY 600 DEEP  
PN-392950

DIMENSIONS APPLY BEFORE SURFACE TREATMENT  
DIMENSIONS IN MILLIMETERS  
TOLERANCES UNLESS OTHERWISE SPECIFIED

.X: ±	0,8 [0.31]
.XX: ±	0,50 [0.020]
ANG: ±	1°

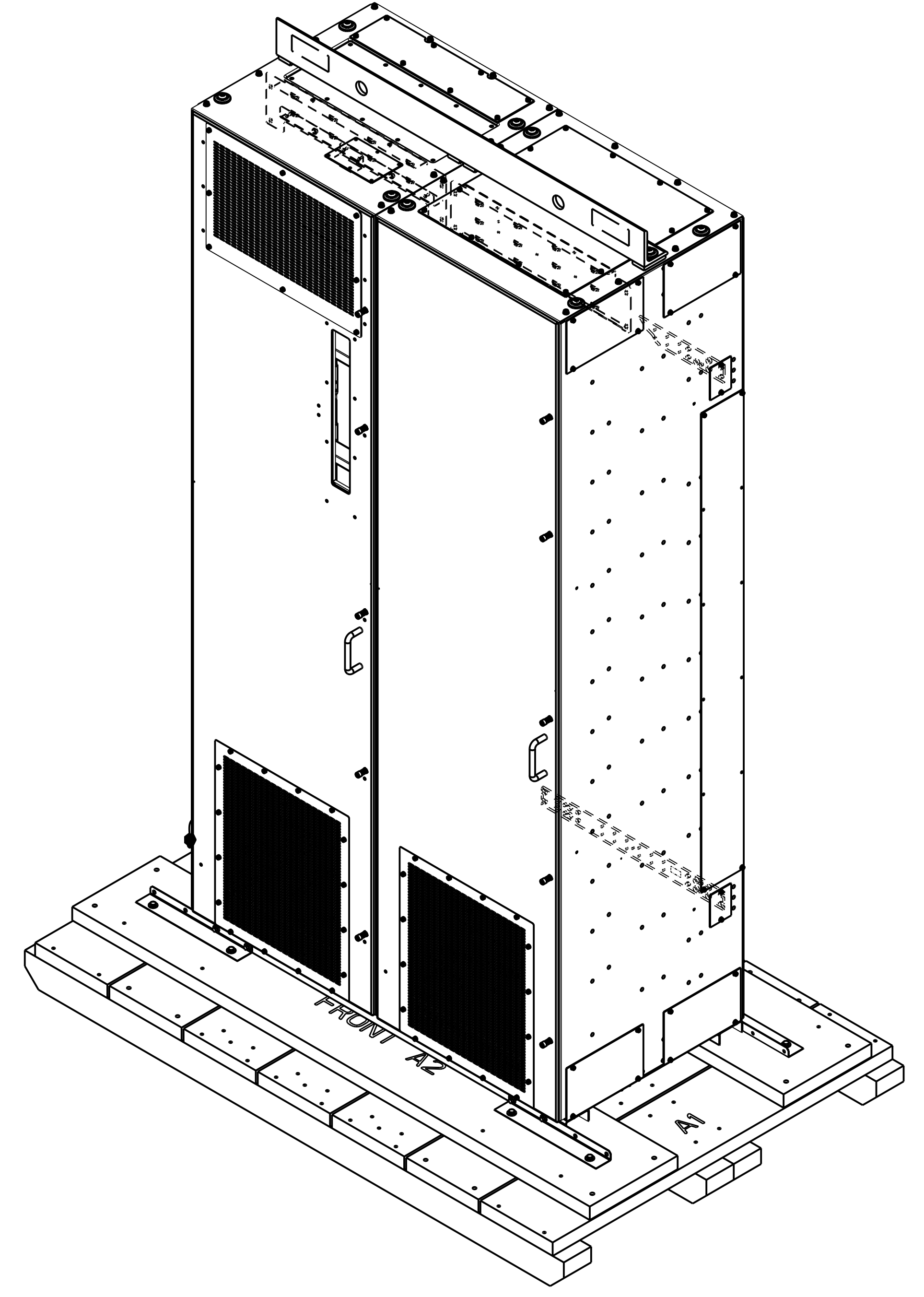
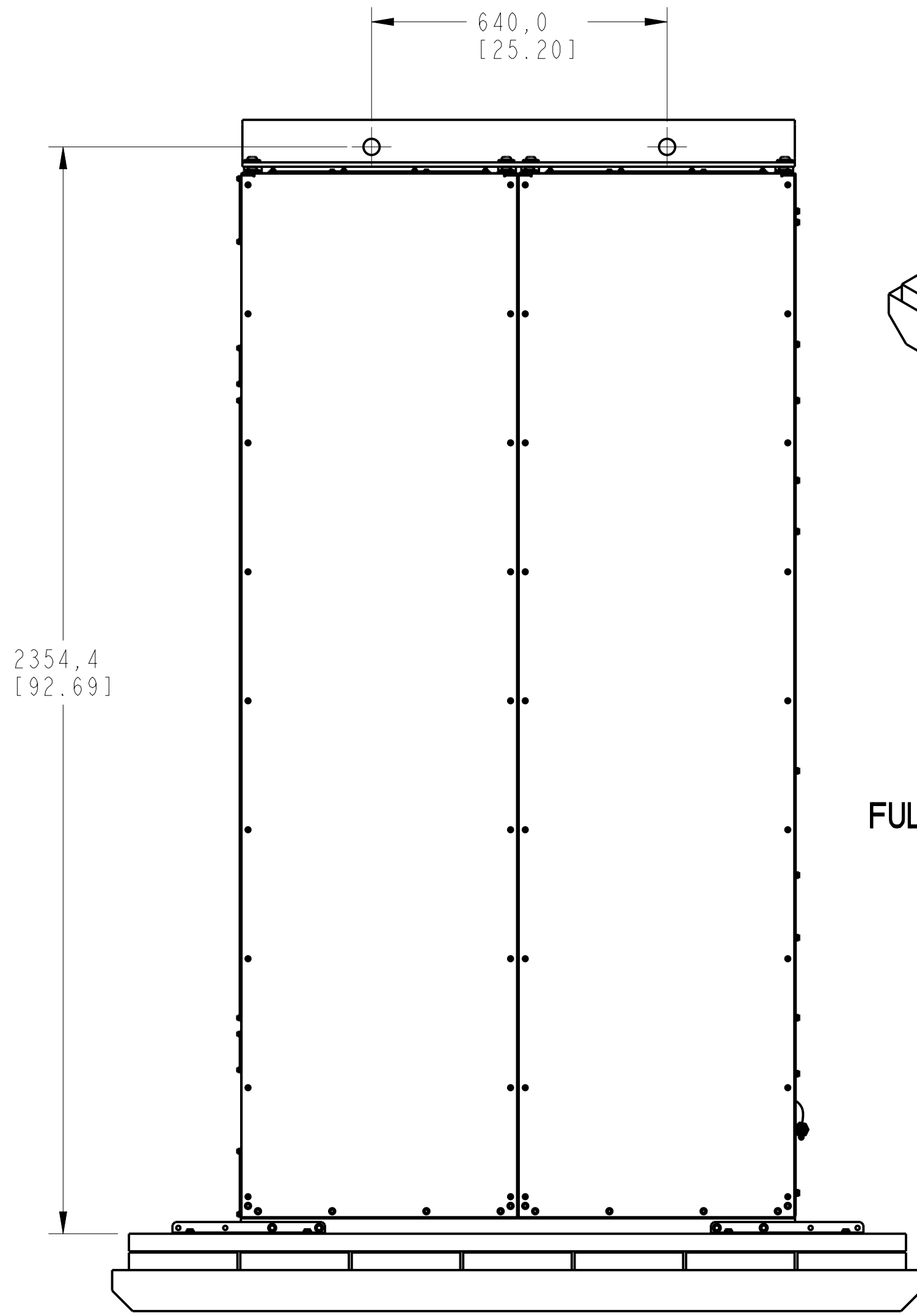
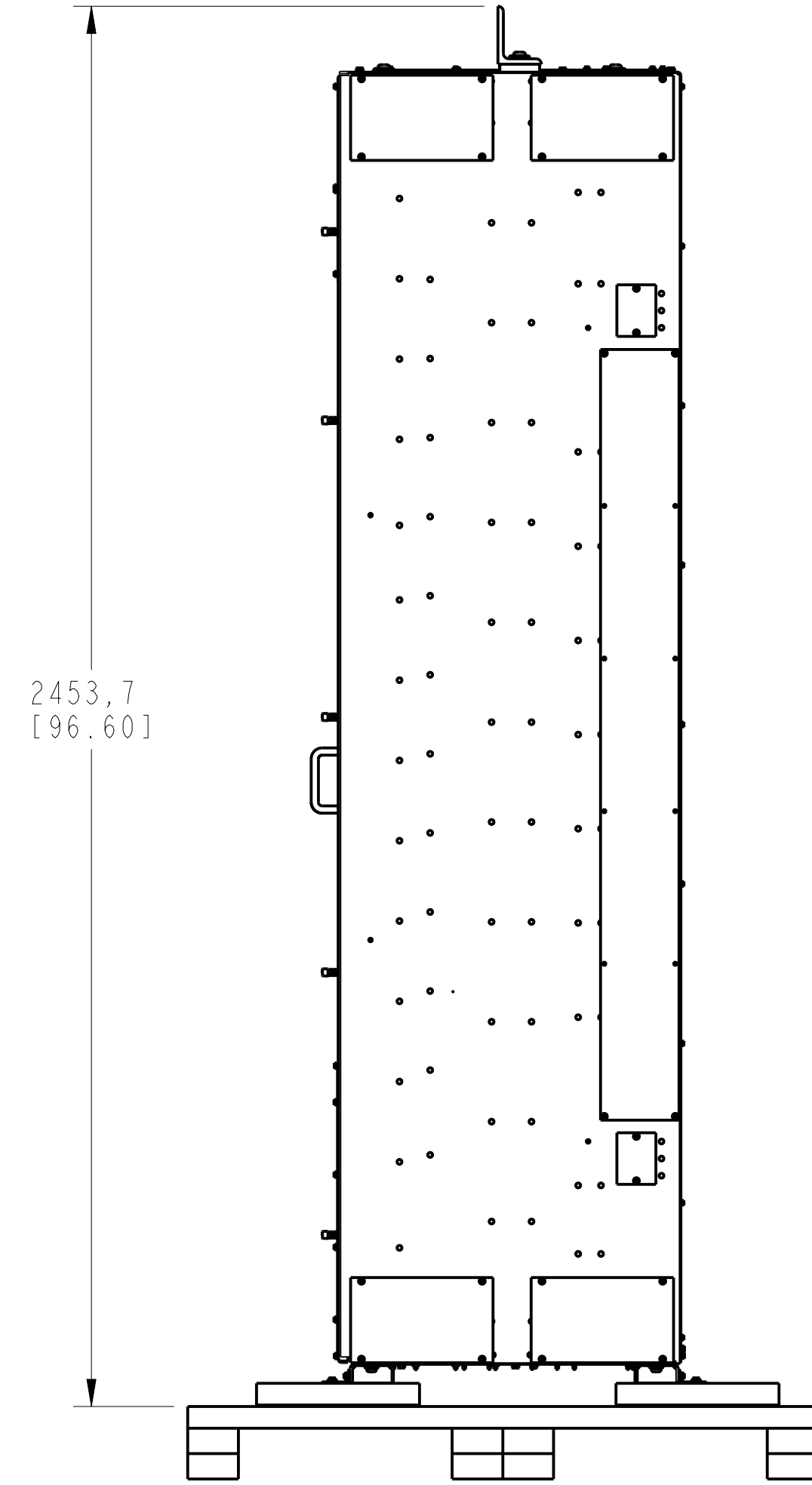
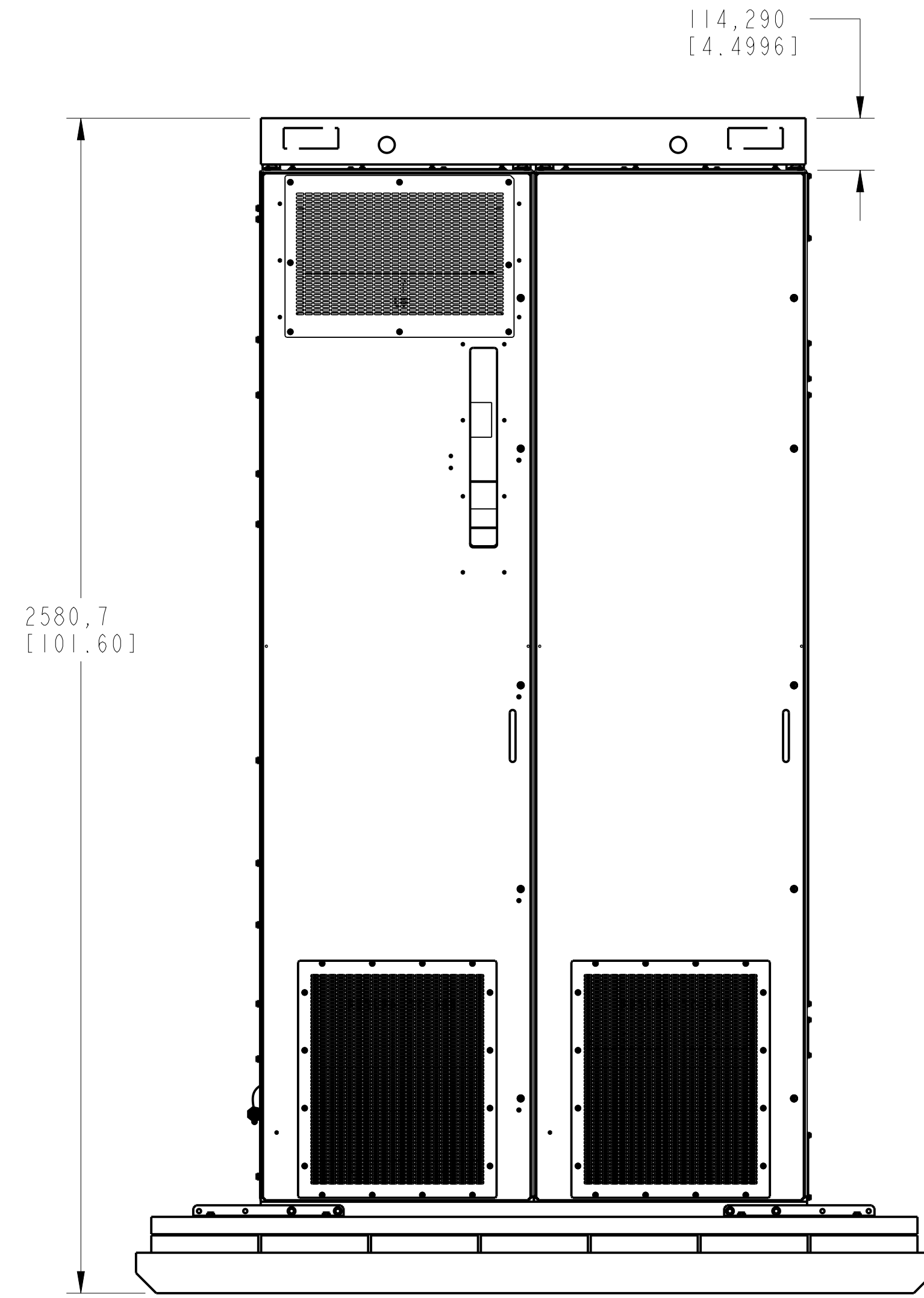
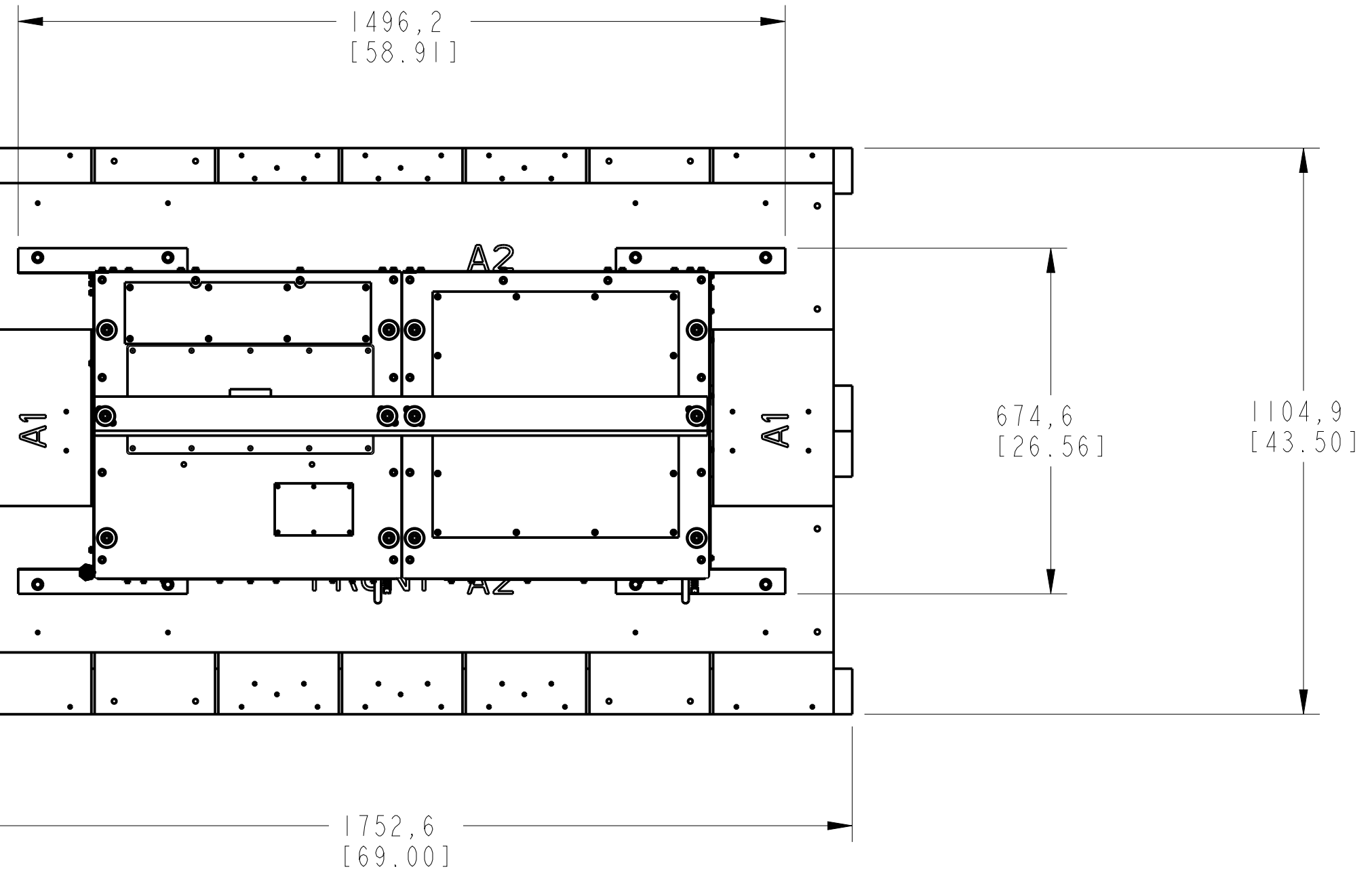
**Rockwell Automation**

STANDARD PF750-FRAME-10-AC-600mm  
OPTION BAY-IP20

Drawn by: RSUBRAMI Date: APR-28-2017

CONFIDENTIAL AND PROPRIETARY INFORMATION  
THIS DOCUMENT CONTAINS CONFIDENTIAL AND PROPRIETARY INFORMATION OF ROCKWELL AUTOMATION, INC. AND MAY NOT BE USED, COPIED OR DISCLOSED TO OTHERS, EXCEPT WITH THE AUTHORIZED WRITTEN PERMISSION OF ROCKWELL AUTOMATION, INC.

Sheet	10 Of 14
Size	D
Part No.	10000218183
Ver	08



FULLY FABRICATED FRAME 10 ADD-ON OPTION BAY W/ WIRING BAY 600 DEEP  
PN-392952

DIMENSIONS APPLY BEFORE SURFACE TREATMENT  
DIMENSIONS IN MILLIMETERS  
TOLERANCES UNLESS OTHERWISE SPECIFIED  
X: ± 0,8 [0.31]  
XX: ± 0,50 [0.020]  
ANG: ± 1°

**Rockwell Automation**

STANDARD PF750-FRAME-10-AC-600mm  
WIRING&OPTION BAY-IP20

Drawn by: RSUBRAMI Date: 01-20-2017

CONFIDENTIAL AND PROPRIETARY INFORMATION  
THIS DOCUMENT CONTAINS CONFIDENTIAL AND PROPRIETARY INFORMATION OF ROCKWELL AUTOMATION, INC. AND MAY NOT BE USED, COPIED OR DISCLOSED TO OTHERS, EXCEPT WITH THE AUTHORIZED WRITTEN PERMISSION OF ROCKWELL AUTOMATION, INC.

Sheet 11 Of 14

Size D 10000218183 Ver 08