

1

2

3

4

5

6

7

8

A

B

C

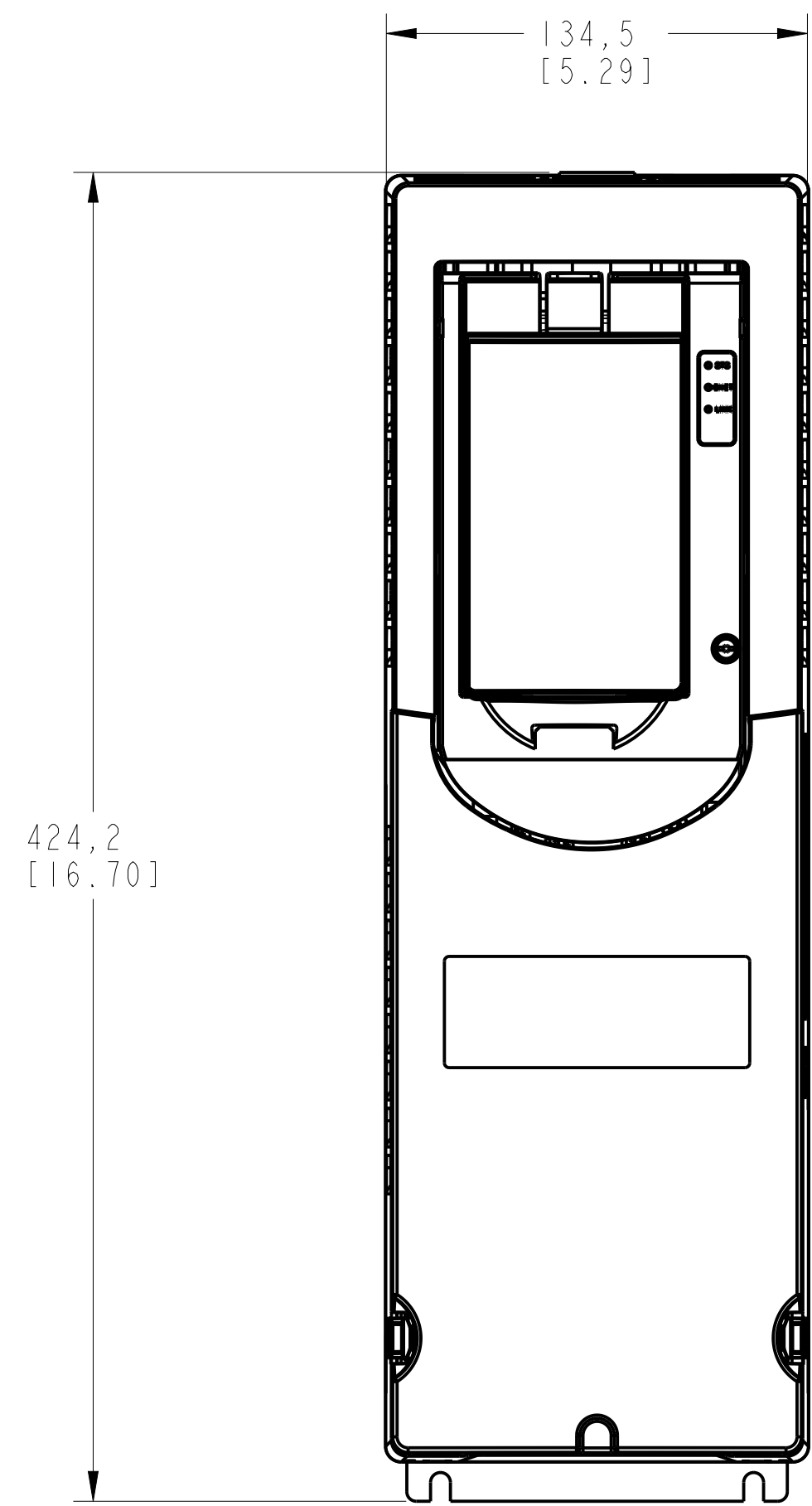
D

E

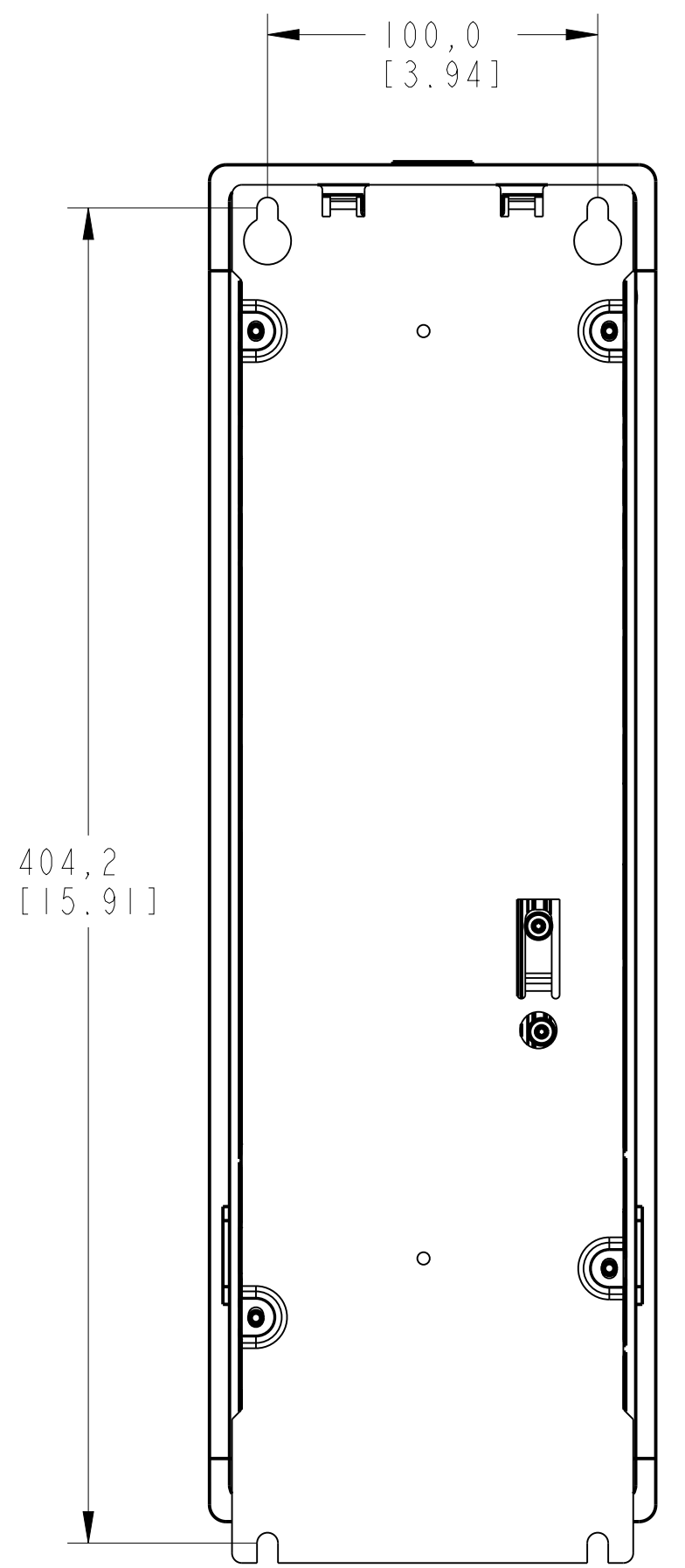
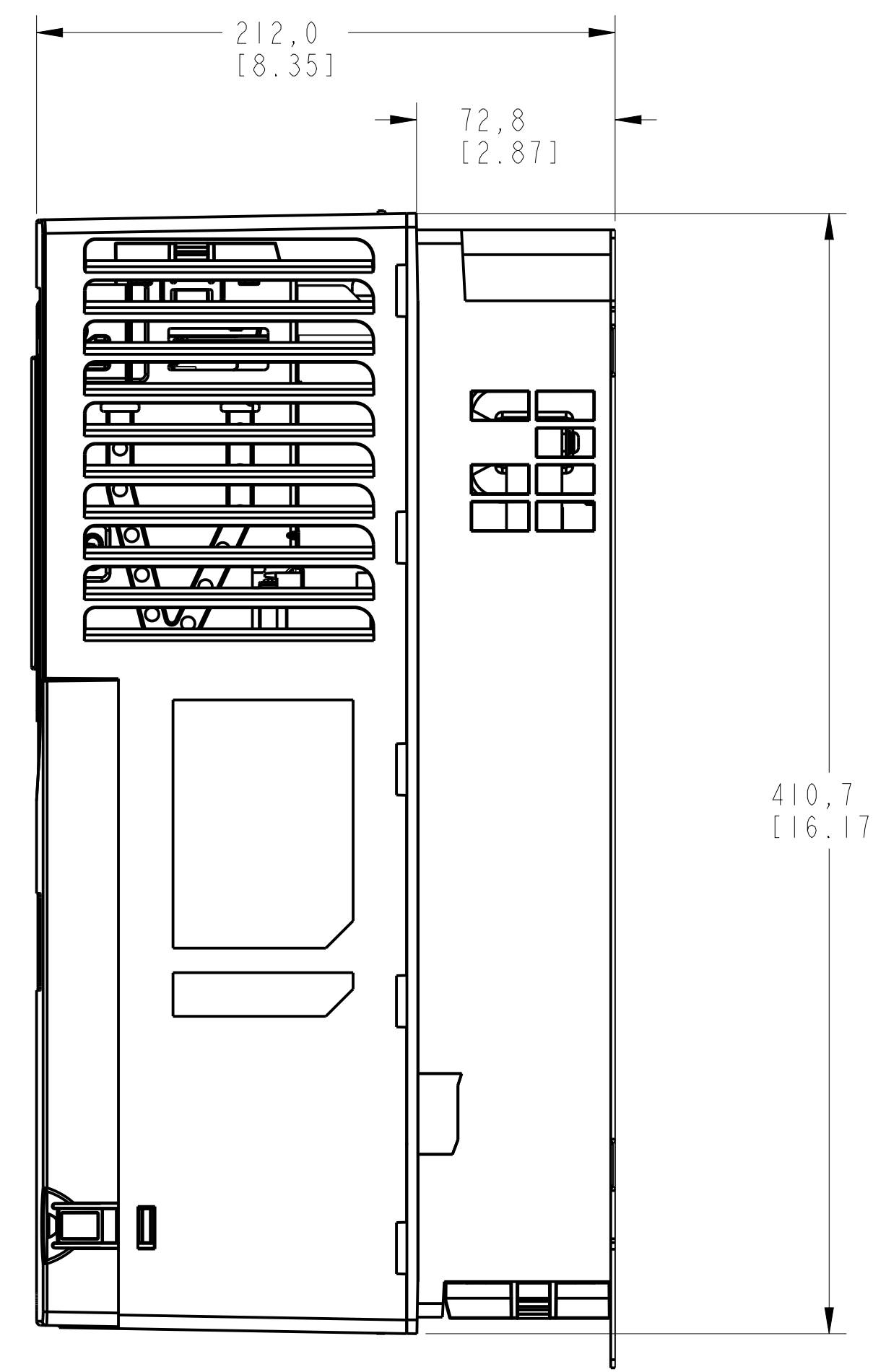
F

G

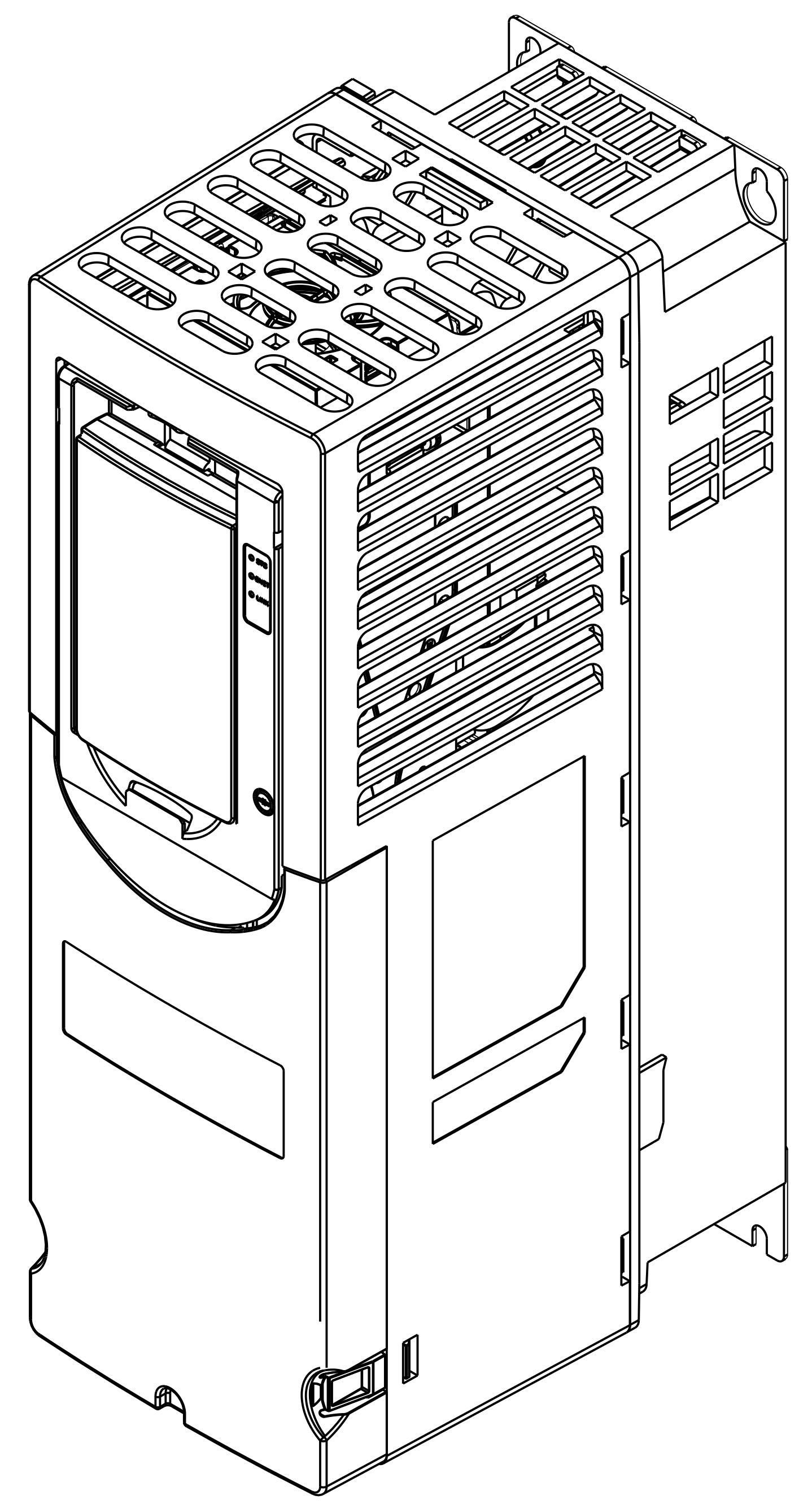
H



SCALE 0.500

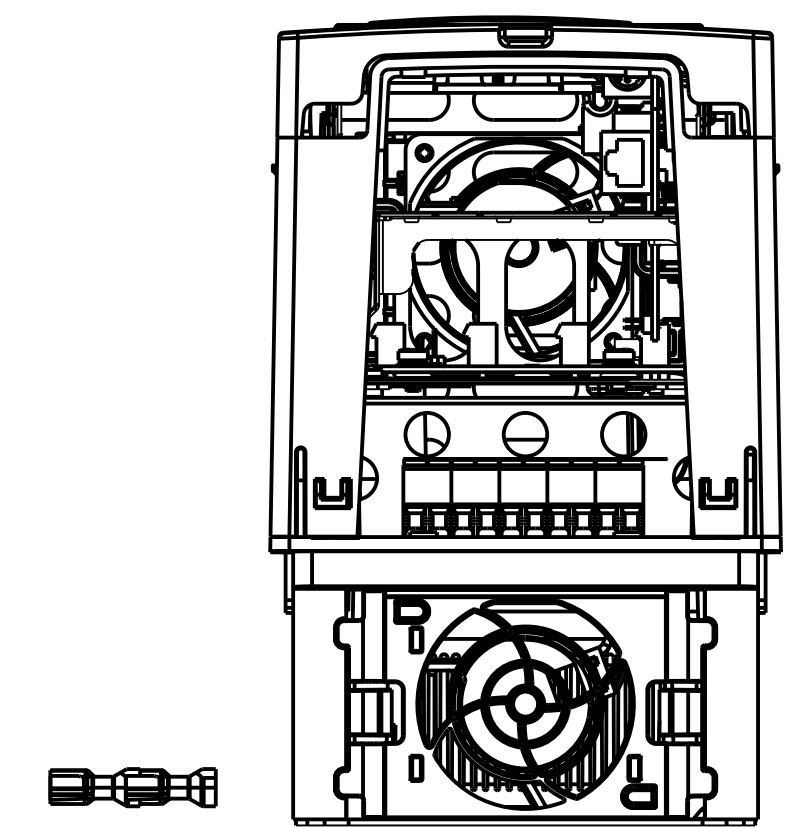


MOUNTING HOLE LOCATIONS



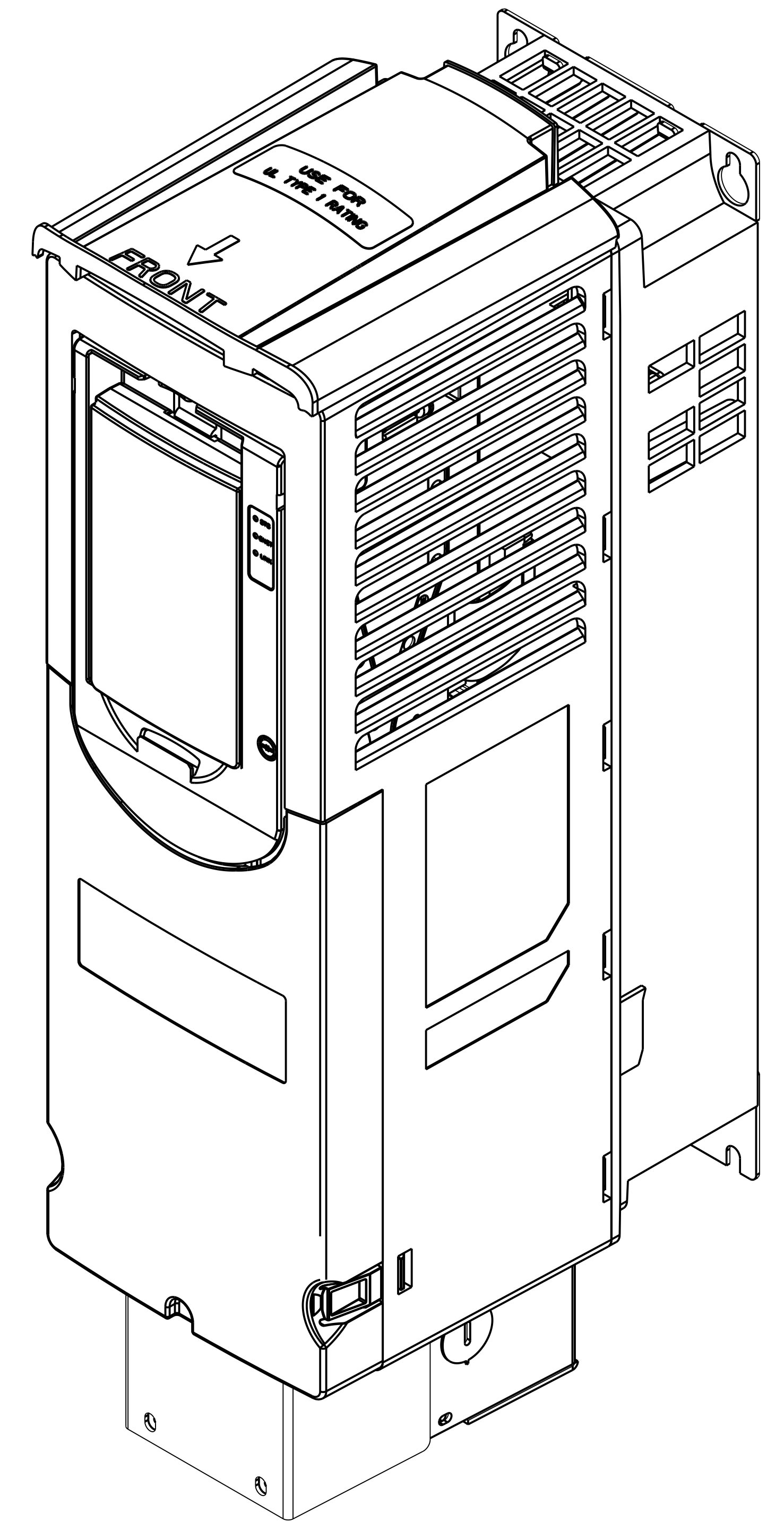
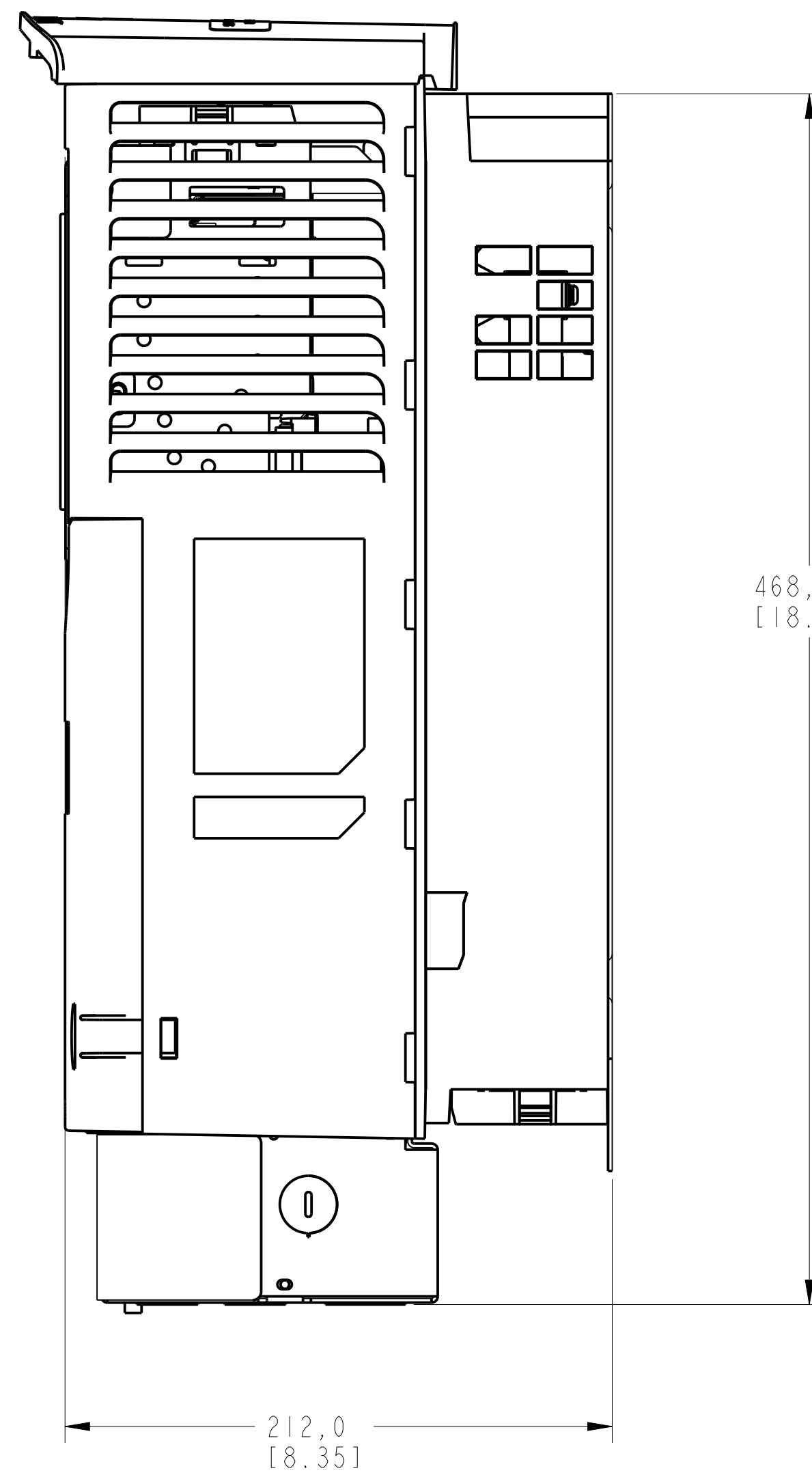
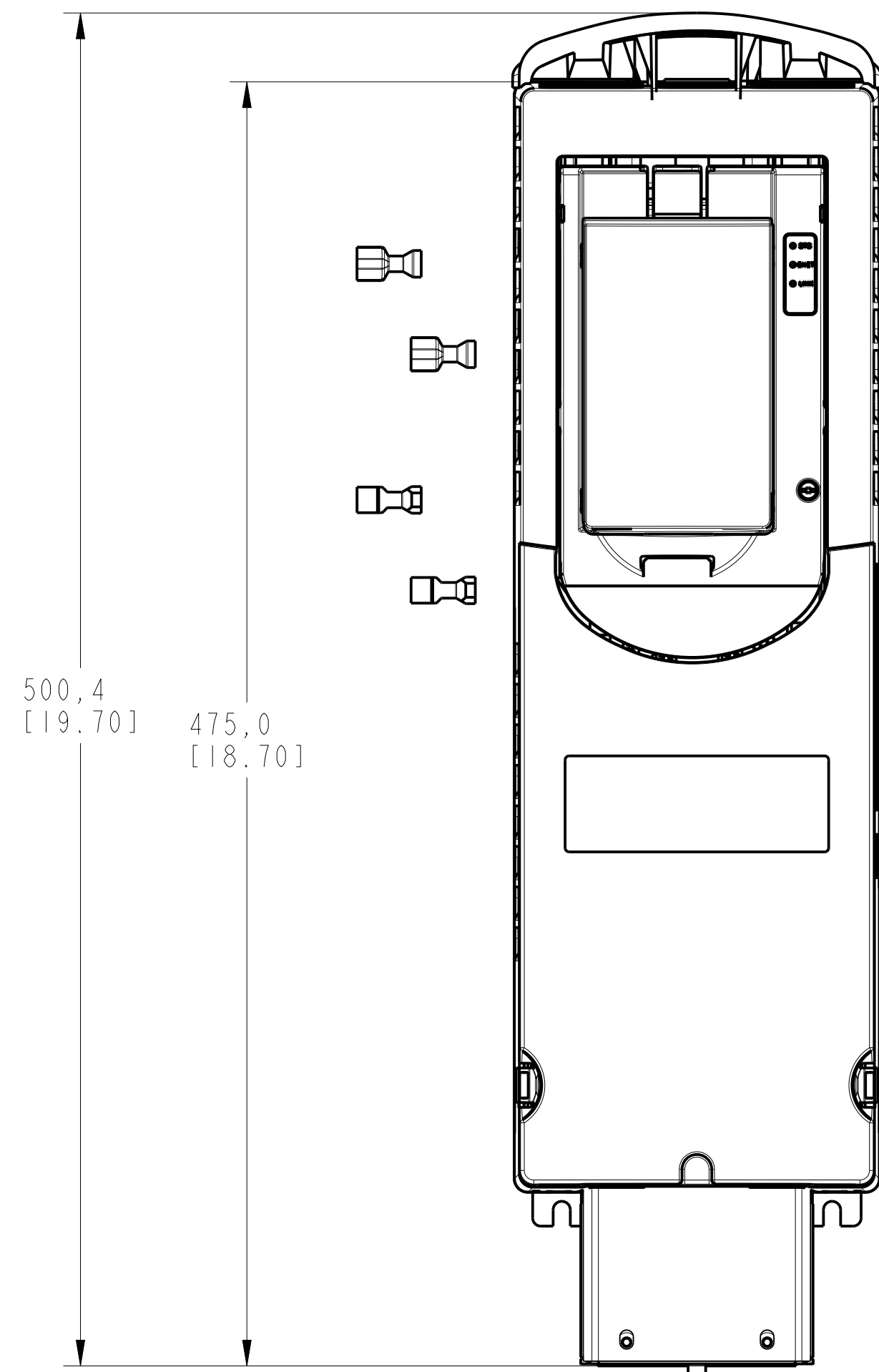
SCALE 0.750

IP20, NEMA/UL Type Open



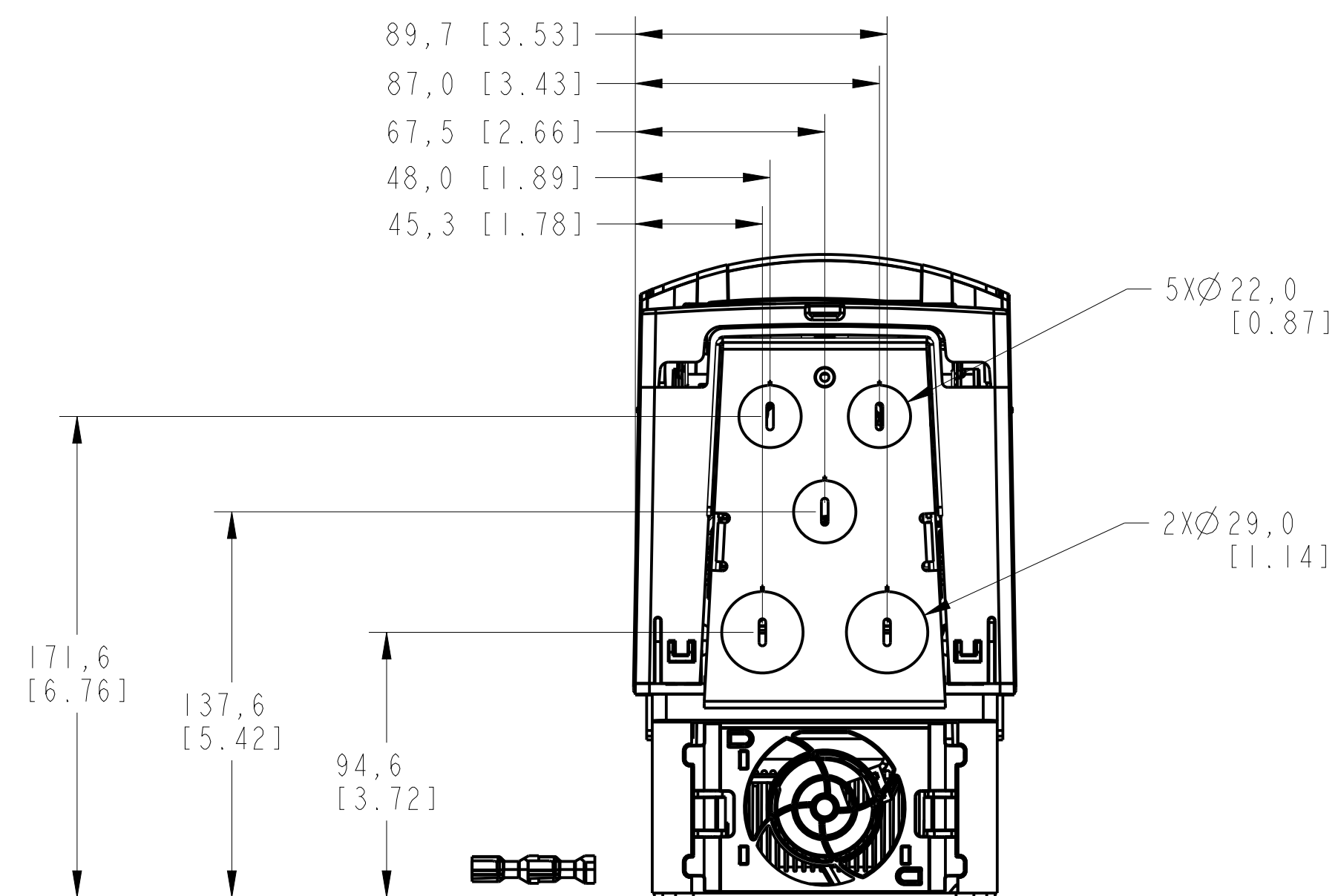
IP20, NEMA/UL Type Open

		<small>CONFIDENTIAL AND PROPRIETARY INFORMATION THIS DOCUMENT CONTAINS CONFIDENTIAL AND PROPRIETARY INFORMATION OF ROCKWELL AUTOMATION, INC. AND MAY NOT BE USED, COPIED OR DISCLOSED TO OTHERS, EXCEPT WITH THE AUTHORIZED WRITTEN PERMISSION OF ROCKWELL AUTOMATION, INC.</small>	
		Sheet 1 Of 4	
<small>DESCRIPTION</small> STANDARD PF750-FRAME-2-IP20	<small>Size</small> D1R	357120-6	08
	<small>Drawn by:</small> MGA04	<small>Date:</small> 09-01-15	



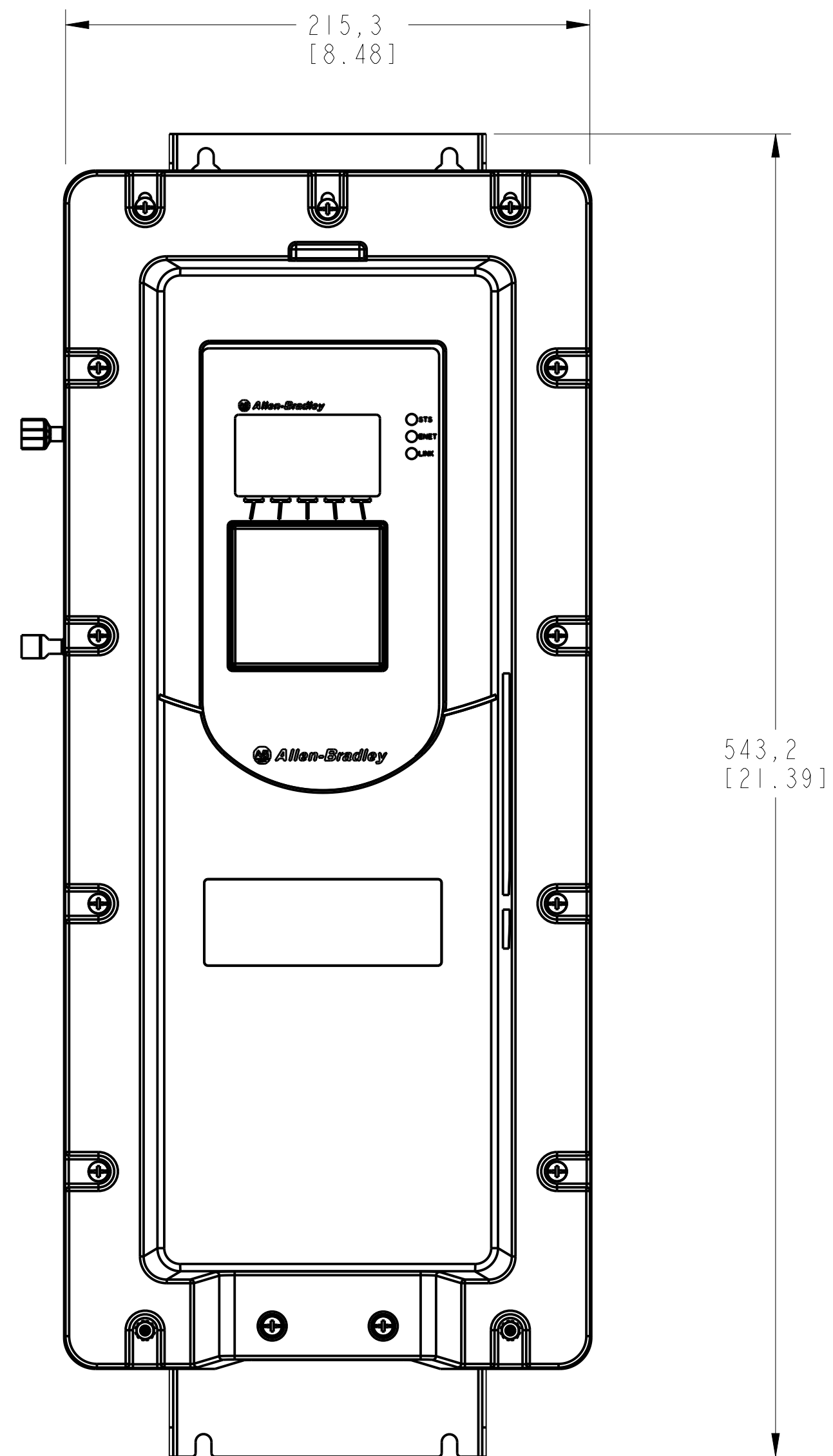
SCALE 0.750

IP20, NEMA/UL Type 1

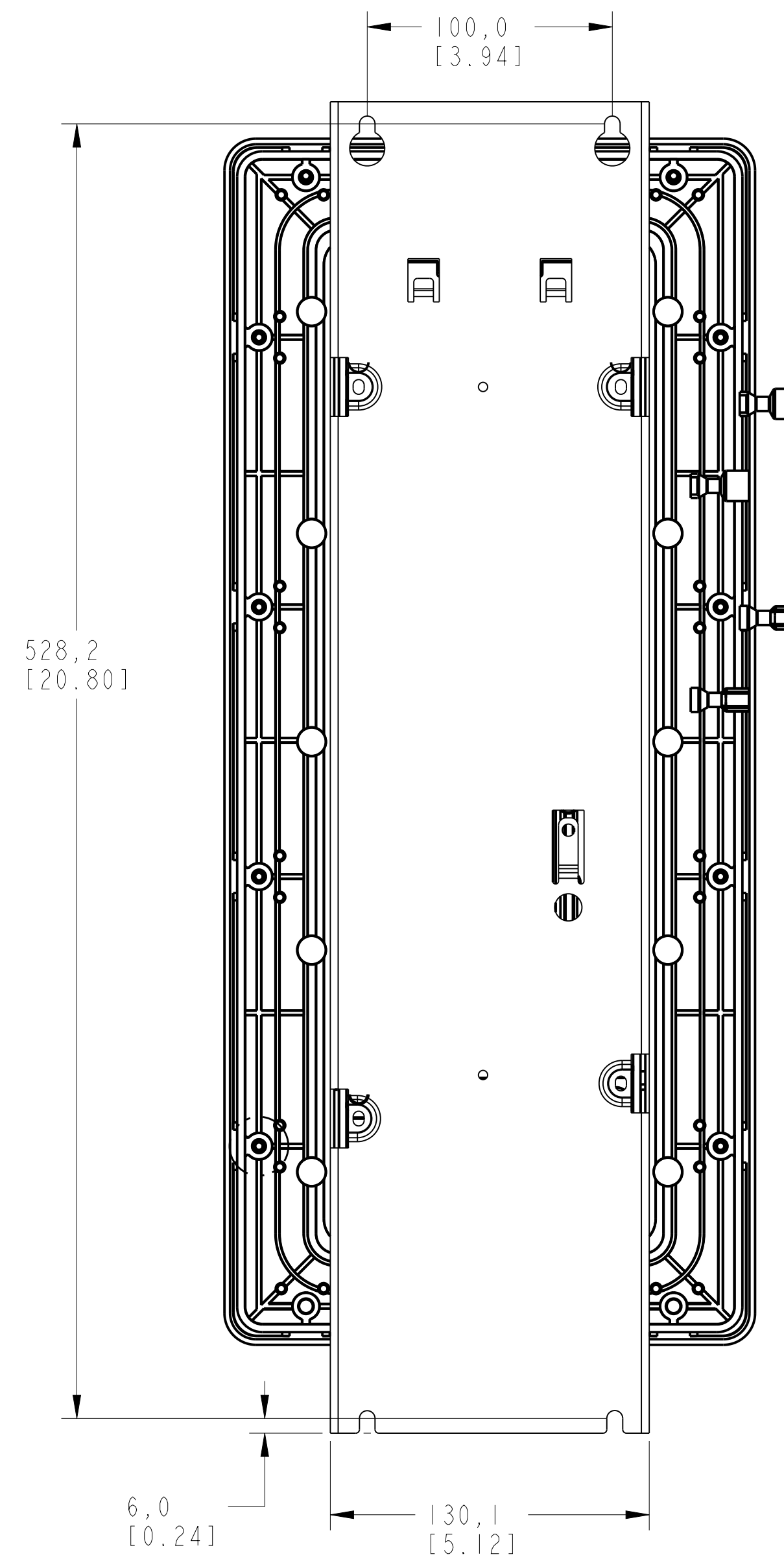
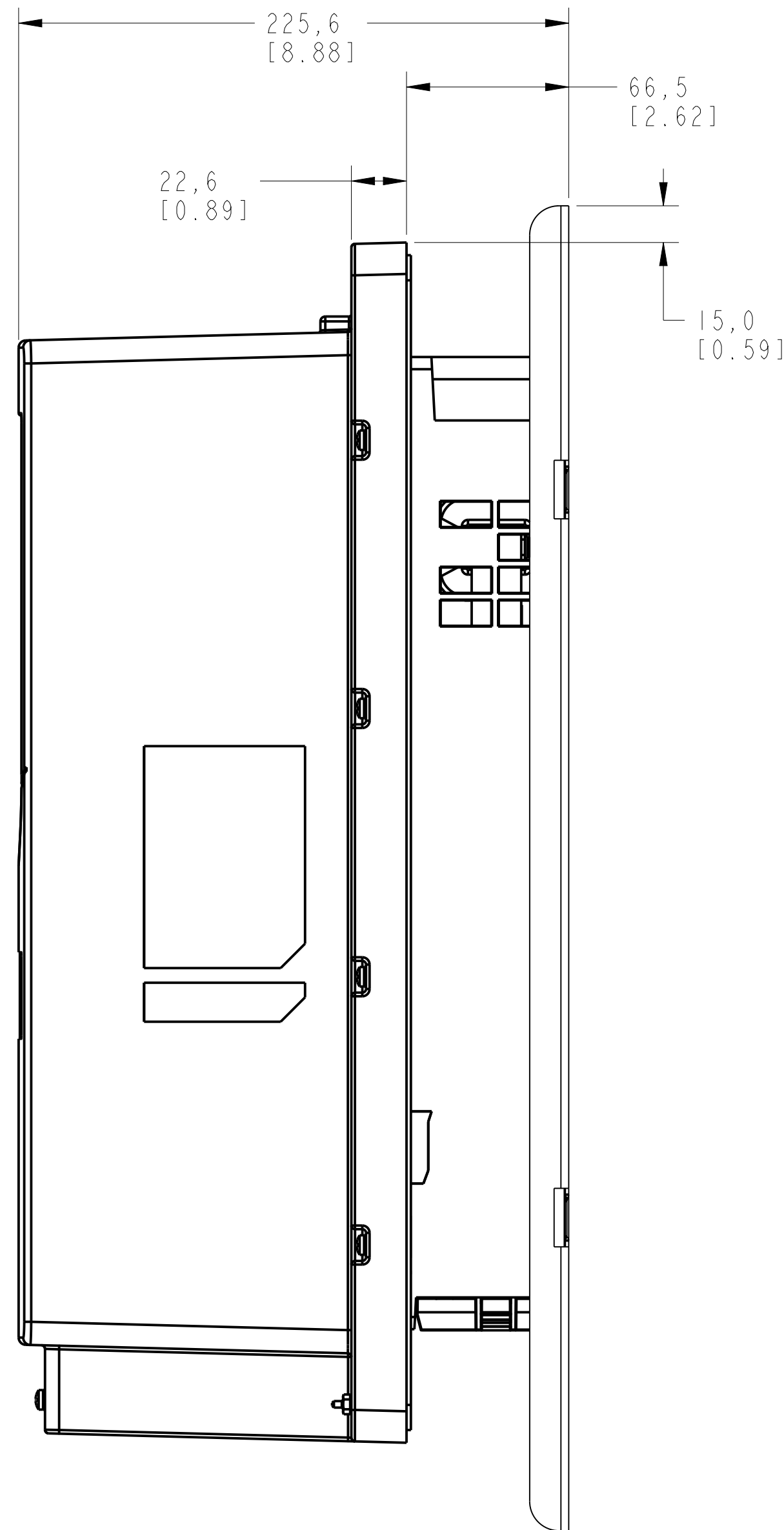


IP20, NEMA/UL Type 1  
WITH CONDUIT PLATE & CAP

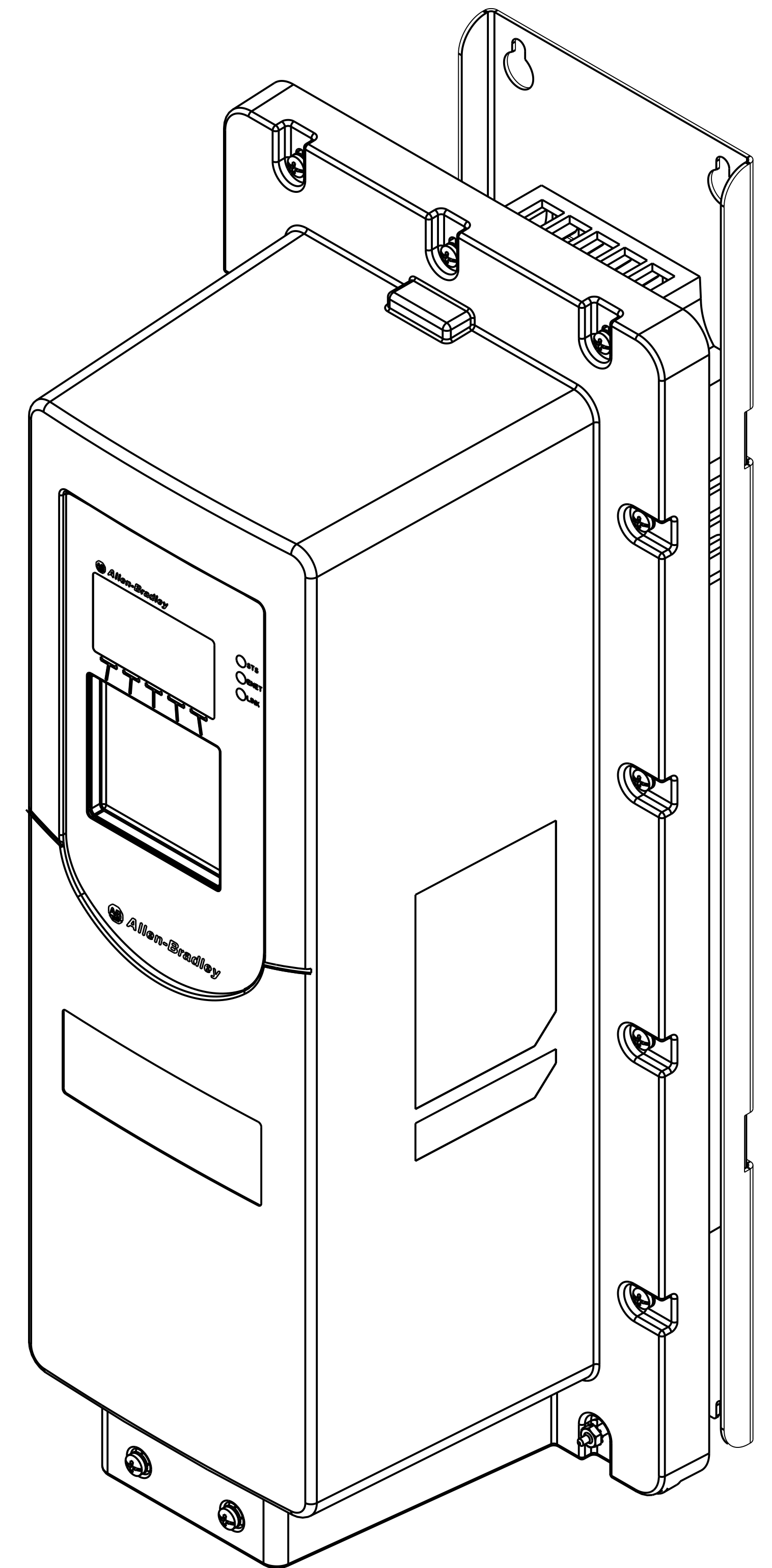
		<small>CONFIDENTIAL AND PROPRIETARY INFORMATION. THIS DOCUMENT CONTAINS CONFIDENTIAL AND PROPRIETARY INFORMATION OF ROCKWELL AUTOMATION, INC. AND MAY NOT BE USED, COPIED OR DISCLOSED TO OTHERS, EXCEPT WITH THE AUTHORIZED WRITTEN PERMISSION OF ROCKWELL AUTOMATION, INC.</small>	
		Sheet 2 Of 4	
DESCRIPTION STANDARD PF750-FRAME-2-TYPE1	Size D1R D	357120-6	Ver 08
Drawn by: MGA04	Date: 09-01-15		



SCALE 0.500

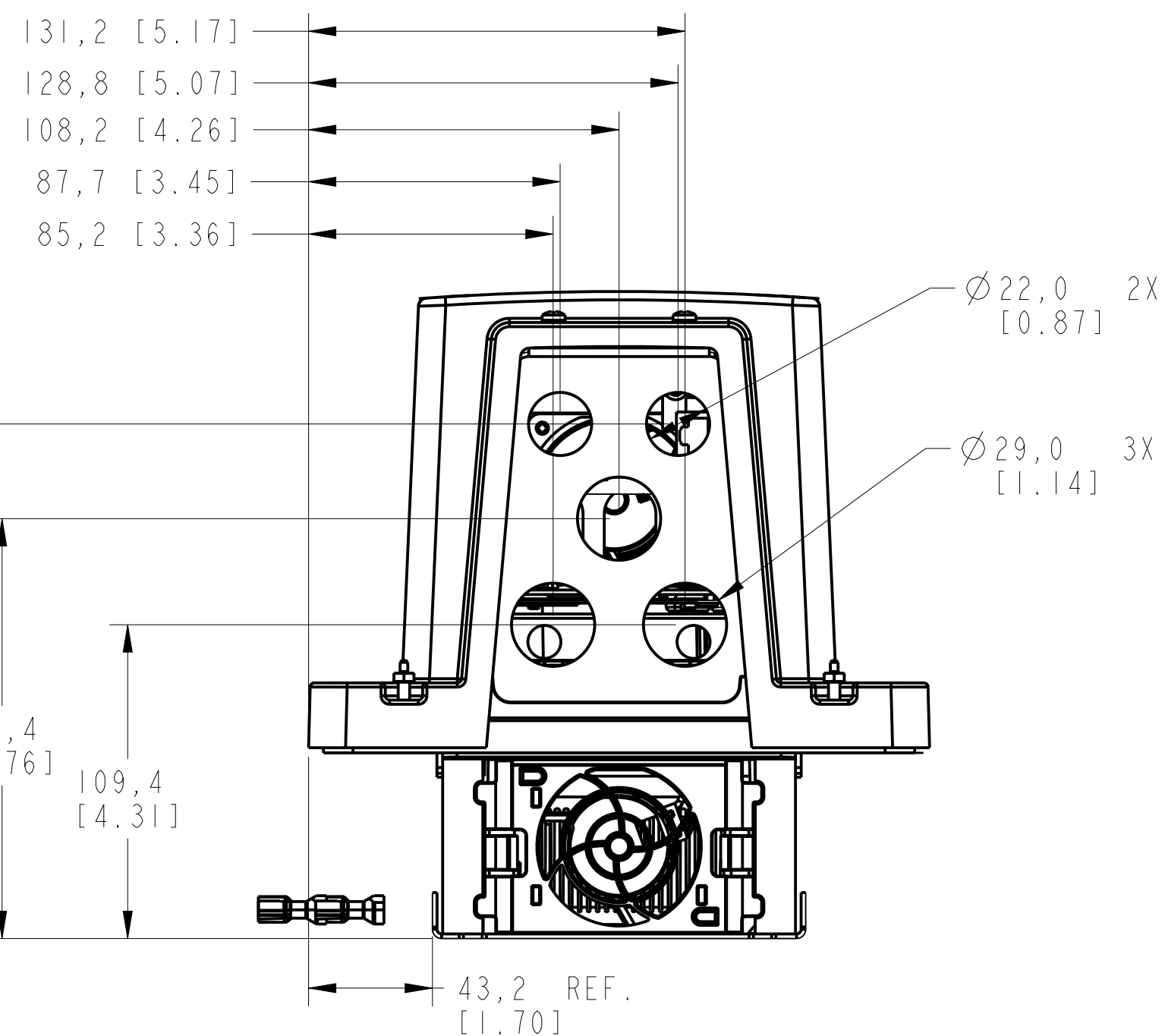


MOUNTING HOLE LOCATIONS



SCALE 0.750

IP54, NEMA/UL Type 12



THESE DIMENSIONS ADDED TO SHOW CONDUIT FITTING OPENINGS

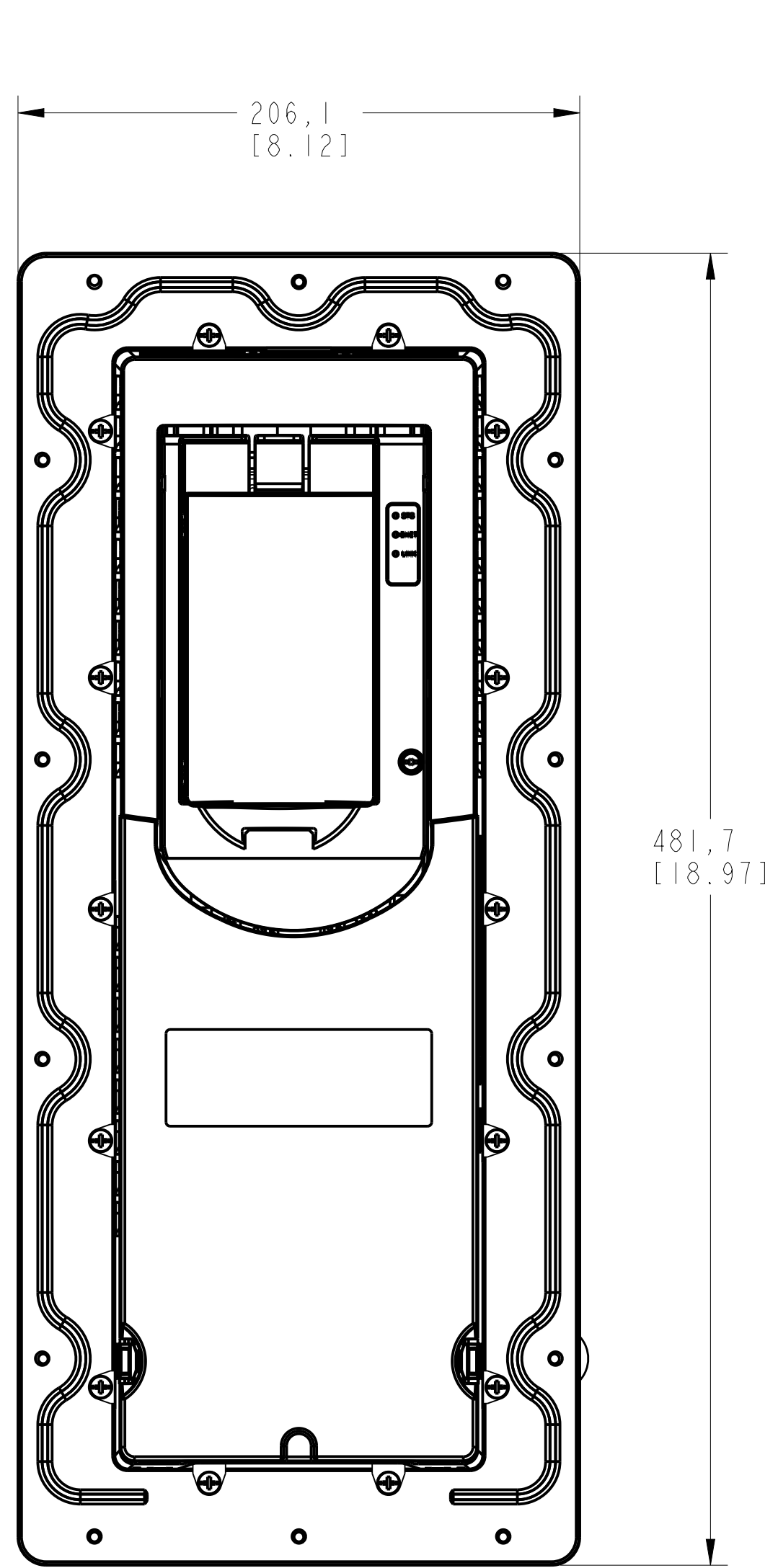
IP54, NEMA/UL Type 12

- NOTES:
1. RECOMMENDED HOLE SIZE FOR MOUNTING FASTENER,  $\varnothing 3.5\text{mm}$  [1.38"].
  2. DEBURR FASTENER HOLE.

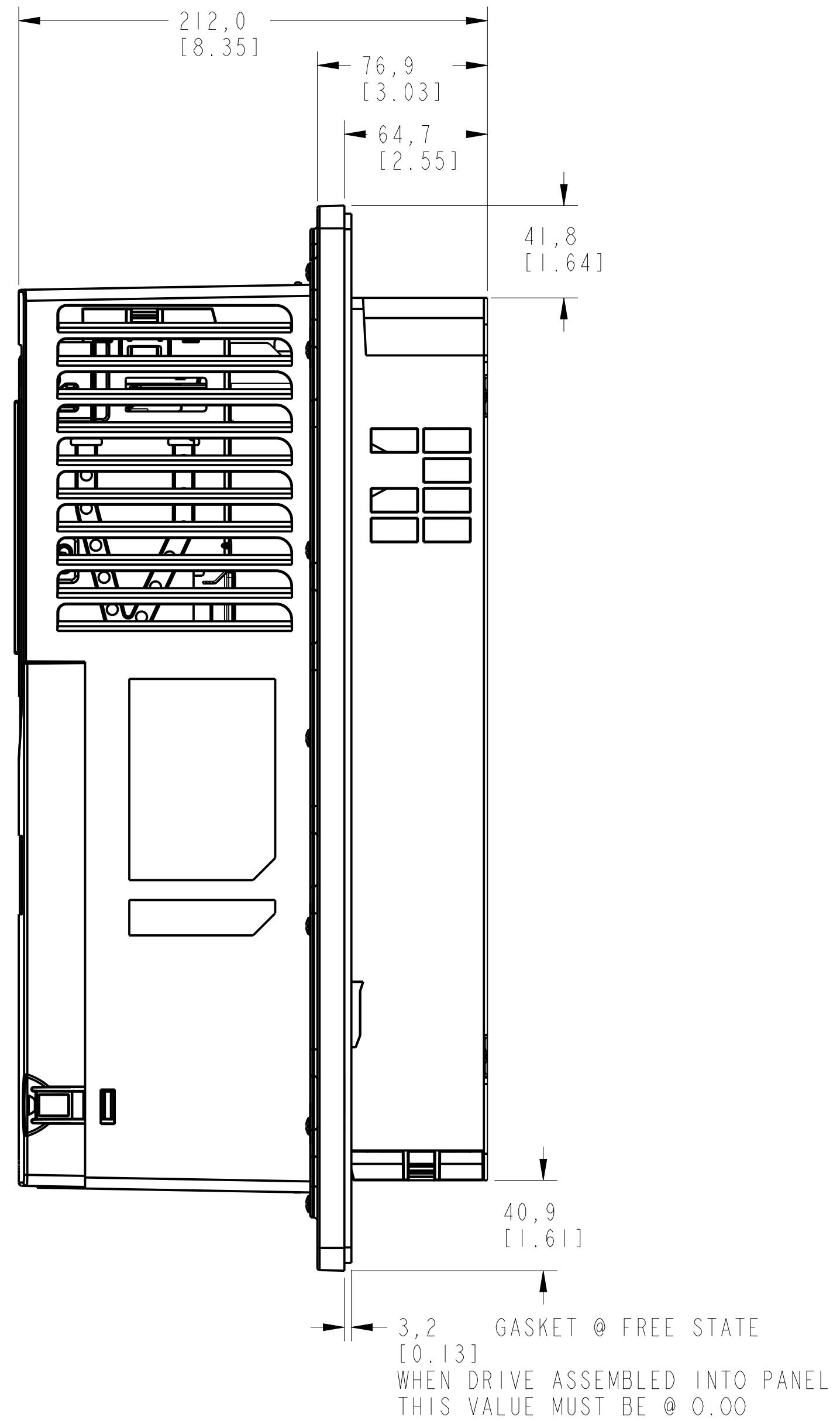
		CONFIDENTIAL AND PROPRIETARY INFORMATION. THIS DOCUMENT CONTAINS CONFIDENTIAL AND PROPRIETARY INFORMATION OF ROCKWELL AUTOMATION, INC. AND MAY NOT BE USED, COPIED OR DISCLOSED TO OTHERS, EXCEPT WITH THE AUTHORIZED WRITTEN PERMISSION OF ROCKWELL AUTOMATION, INC.	
		DESCRIPTION	Sheet 3 Of 4
STANDARD PF750-FRAME-2-TYPE12		Size	D1R
Drawn by: MGA04		Date: 09-01-15	Ver
		D	357120-6 08

1 2 3 4 5 6 7 8

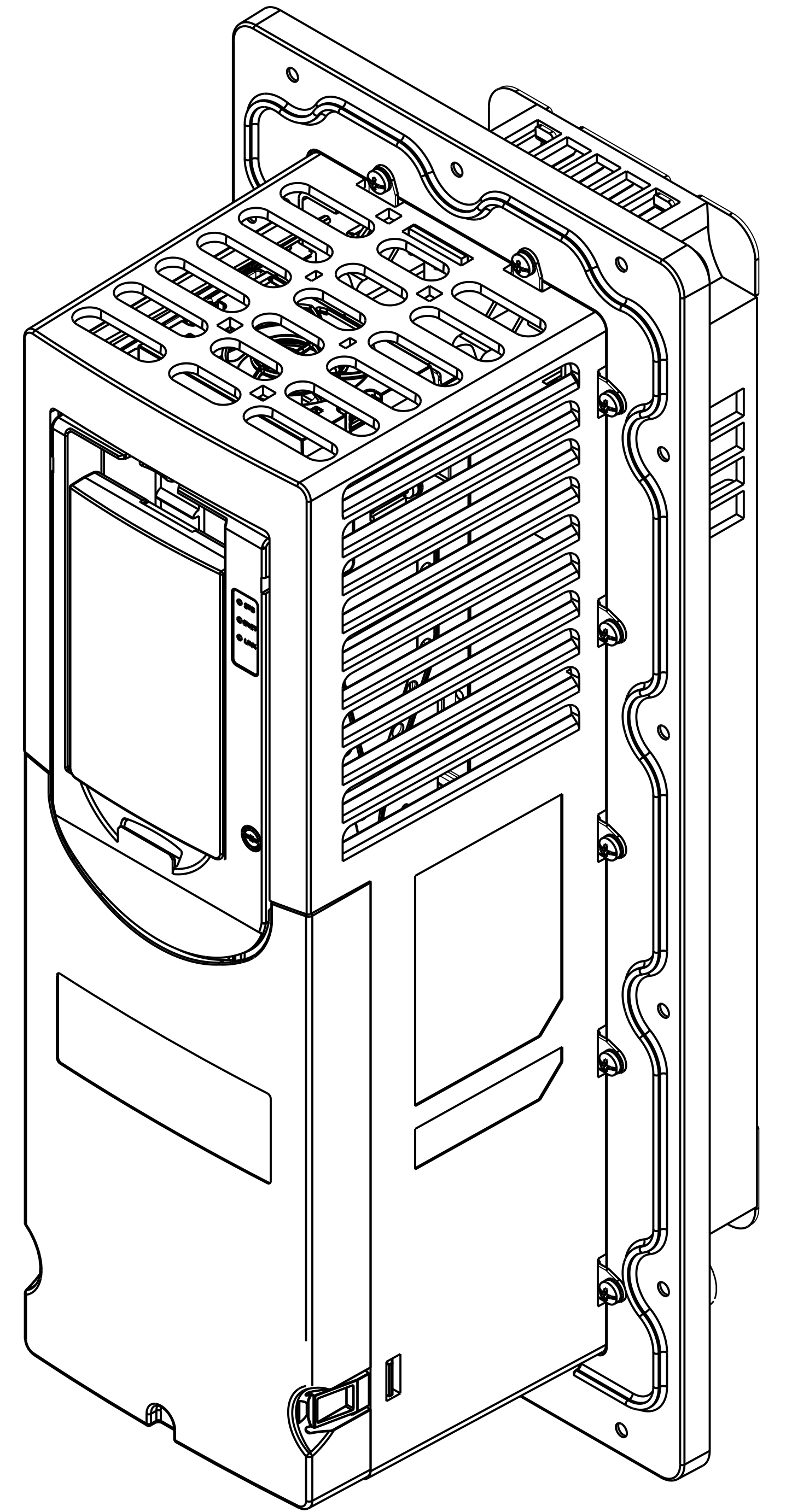
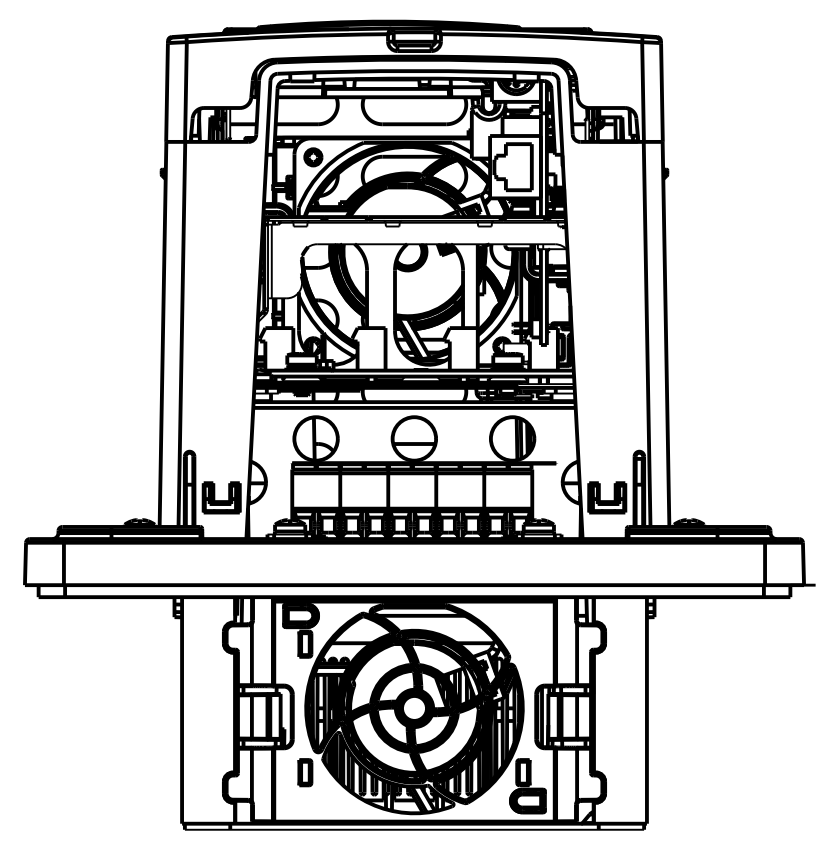
A  
B  
C  
D  
E  
F  
G  
H



SCALE 0.500



Flange Mount Drive  
 Front: IP20, NEMA/UL Type Open  
 Back: IP66, NEMA/UL 4X



SCALE 0.750

Flange Mount Drive  
 Front: IP20, NEMA/UL Type Open  
 Back: IP66, NEMA/UL 4X

<b>Rockwell Automation</b>		CONFIDENTIAL AND PROPRIETARY INFORMATION. THIS DOCUMENT CONTAINS CONFIDENTIAL AND PROPRIETARY INFORMATION OF ROCKWELL AUTOMATION, INC. AND MAY NOT BE USED, COPIED OR DISCLOSED TO OTHERS, EXCEPT WITH THE AUTHORIZED WRITTEN PERMISSION OF ROCKWELL AUTOMATION, INC.	
STANDARD PF750-FRAME-2-FLANGE MOUNT		Sheet 4 Of 4	
DESCRIPTION	Drawn by: MGA04	Date: 09-01-15	Ver D 357120-6 08