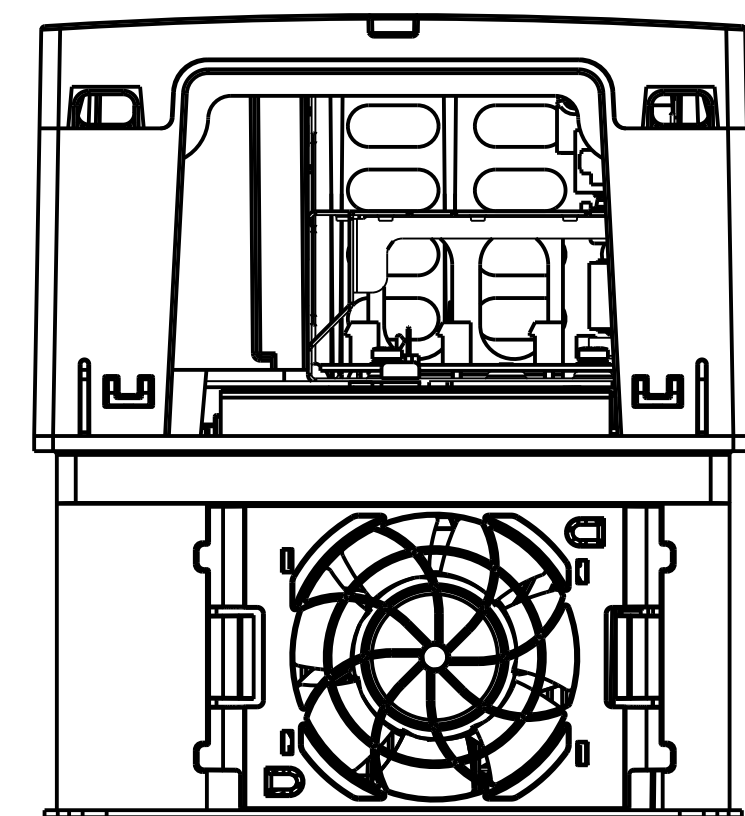
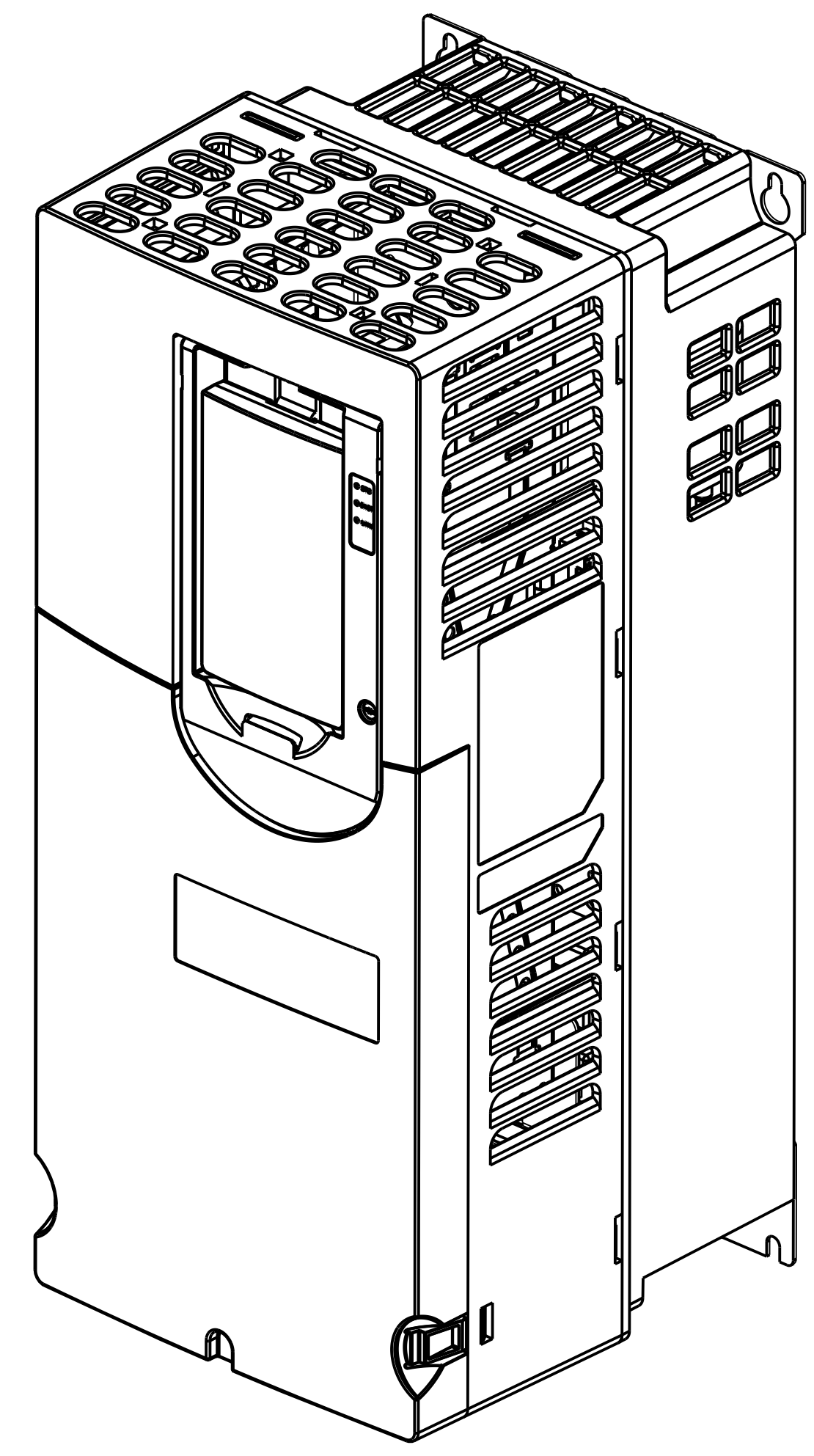
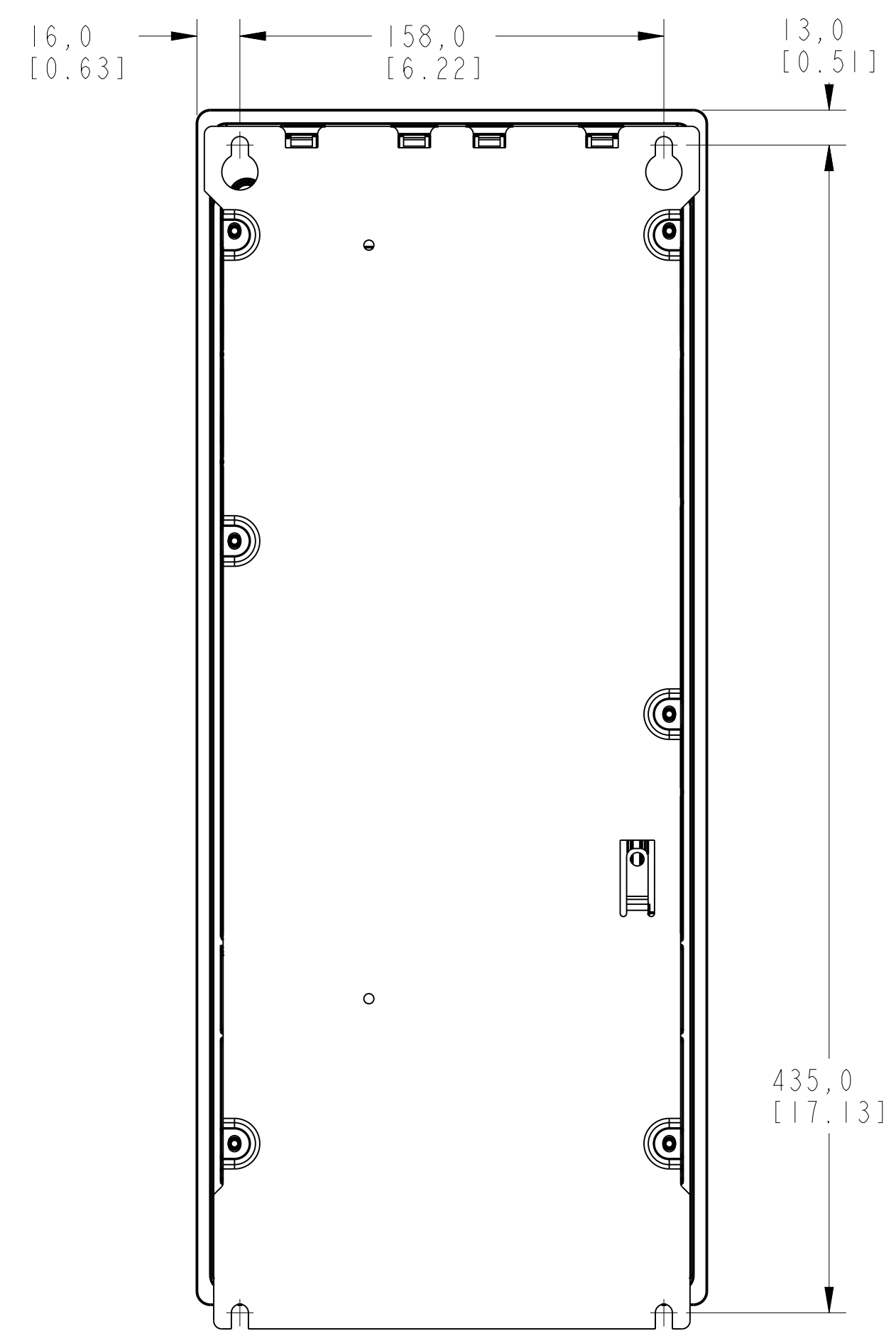
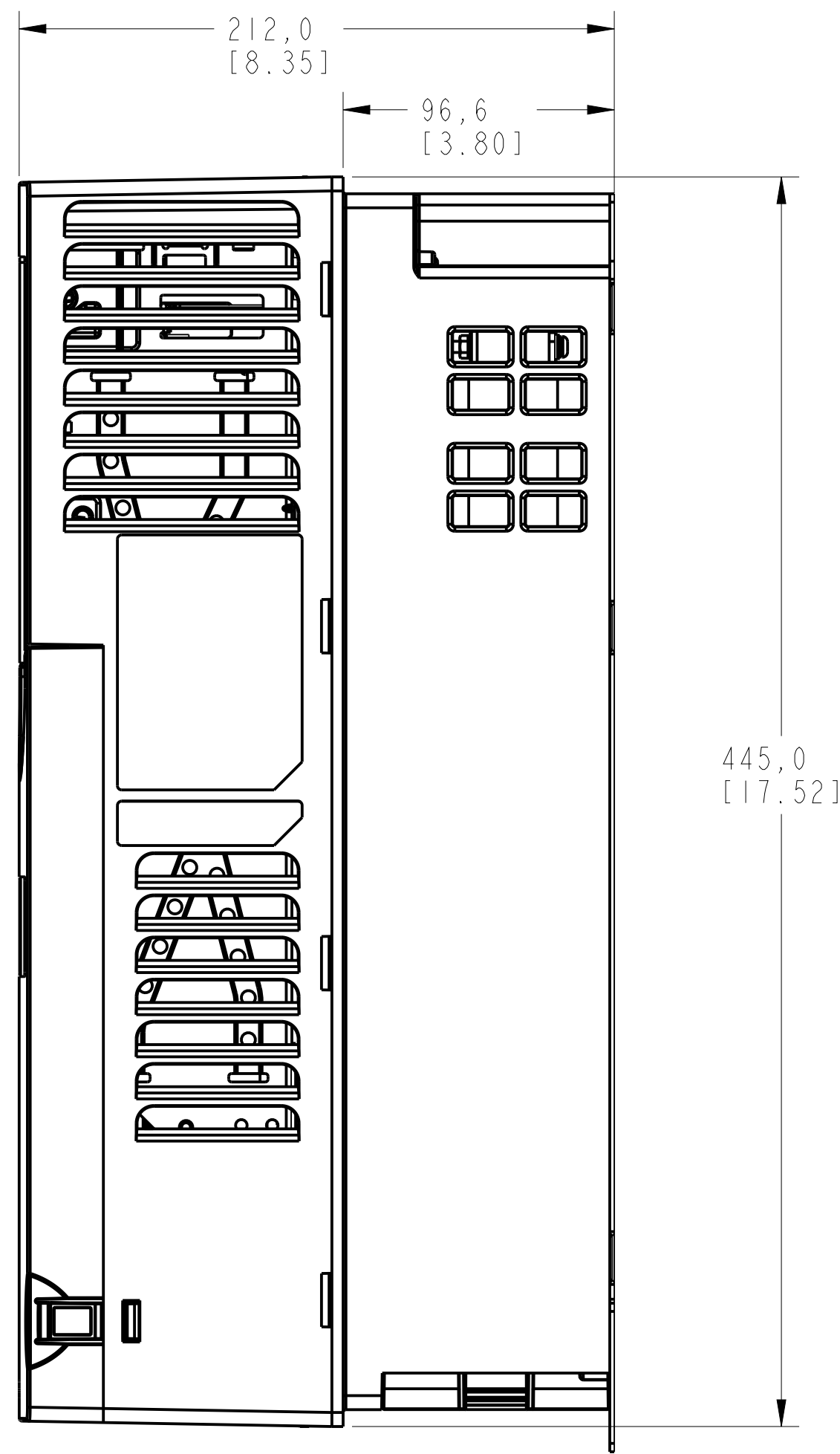


SCALE 0.500



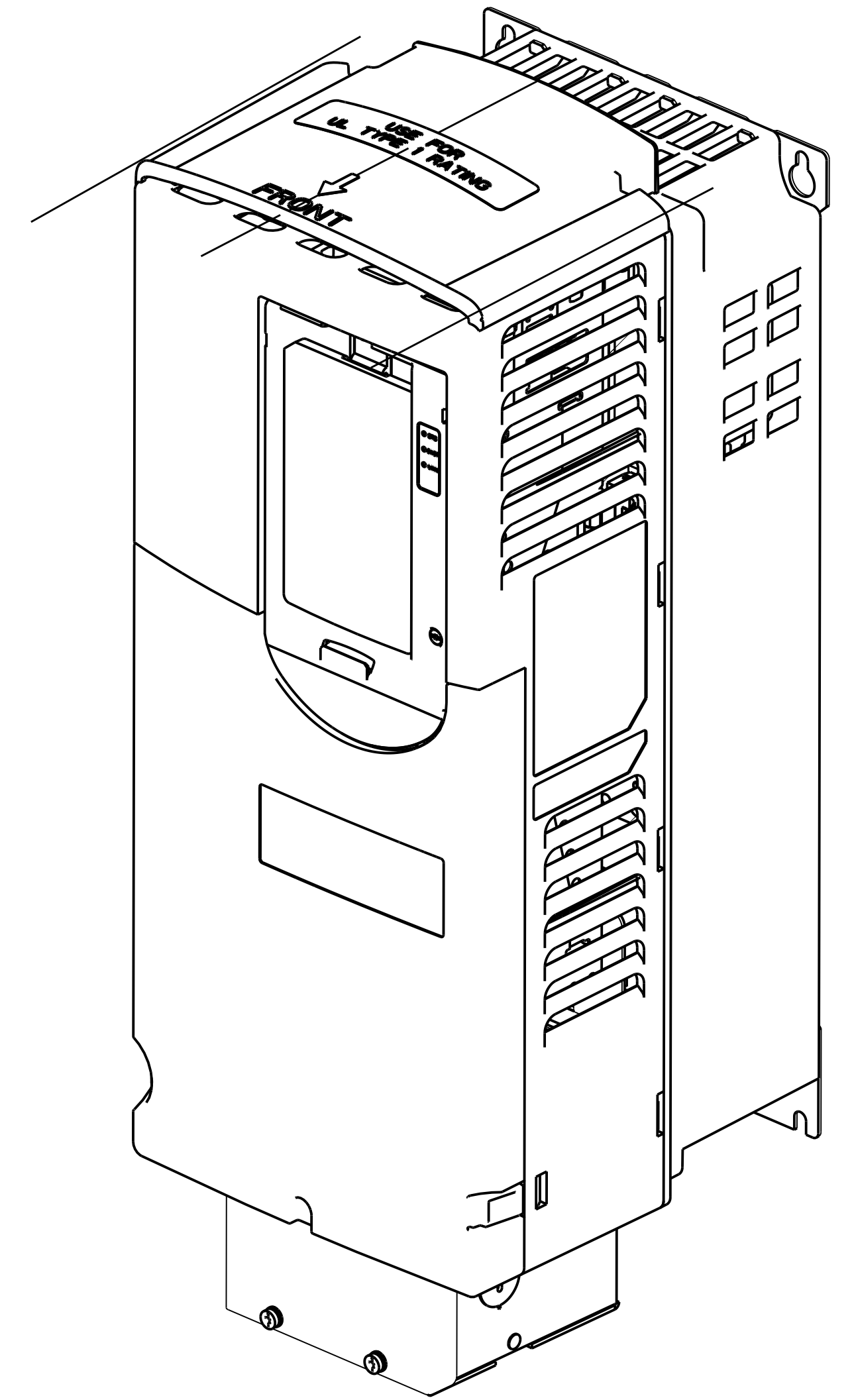
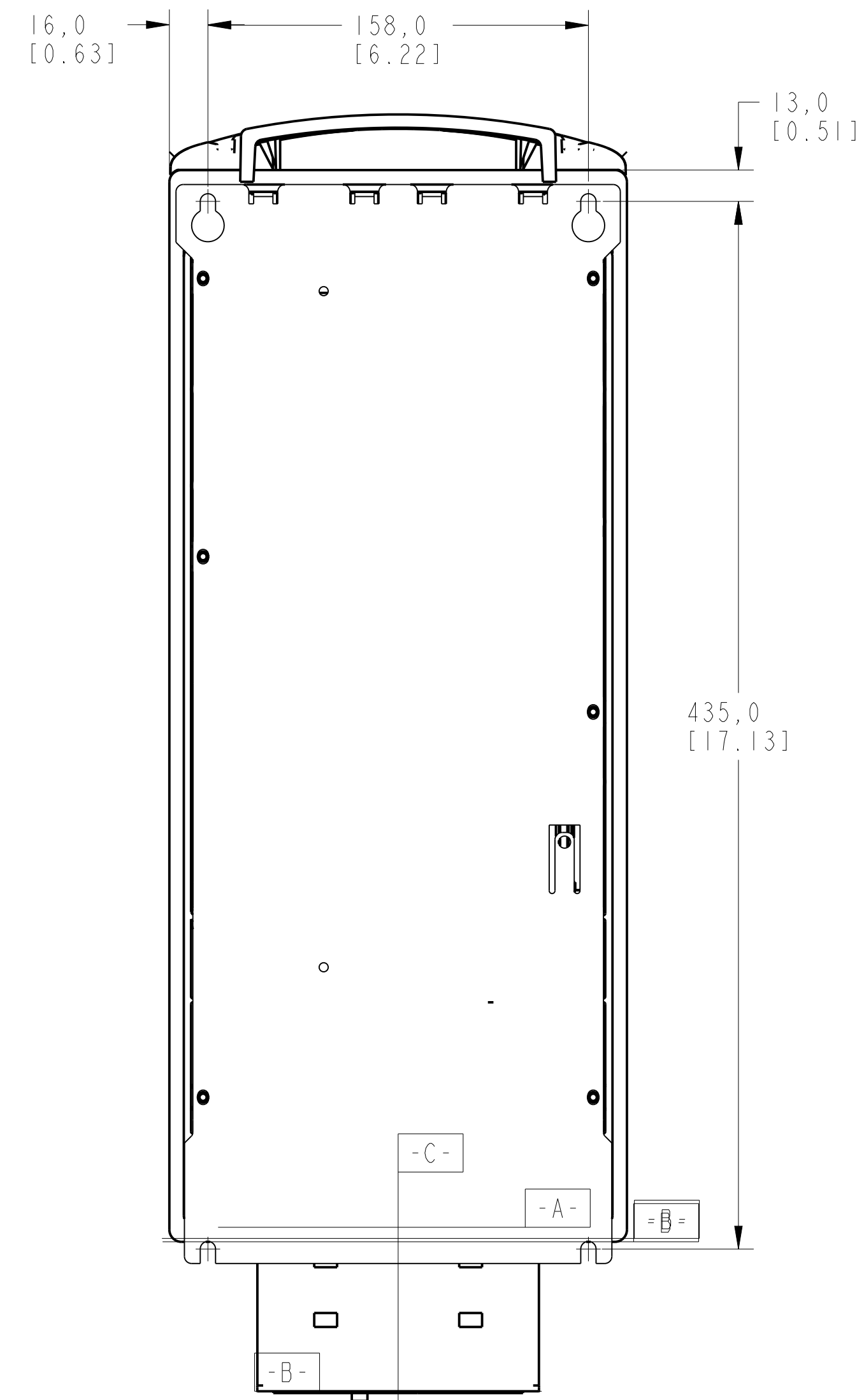
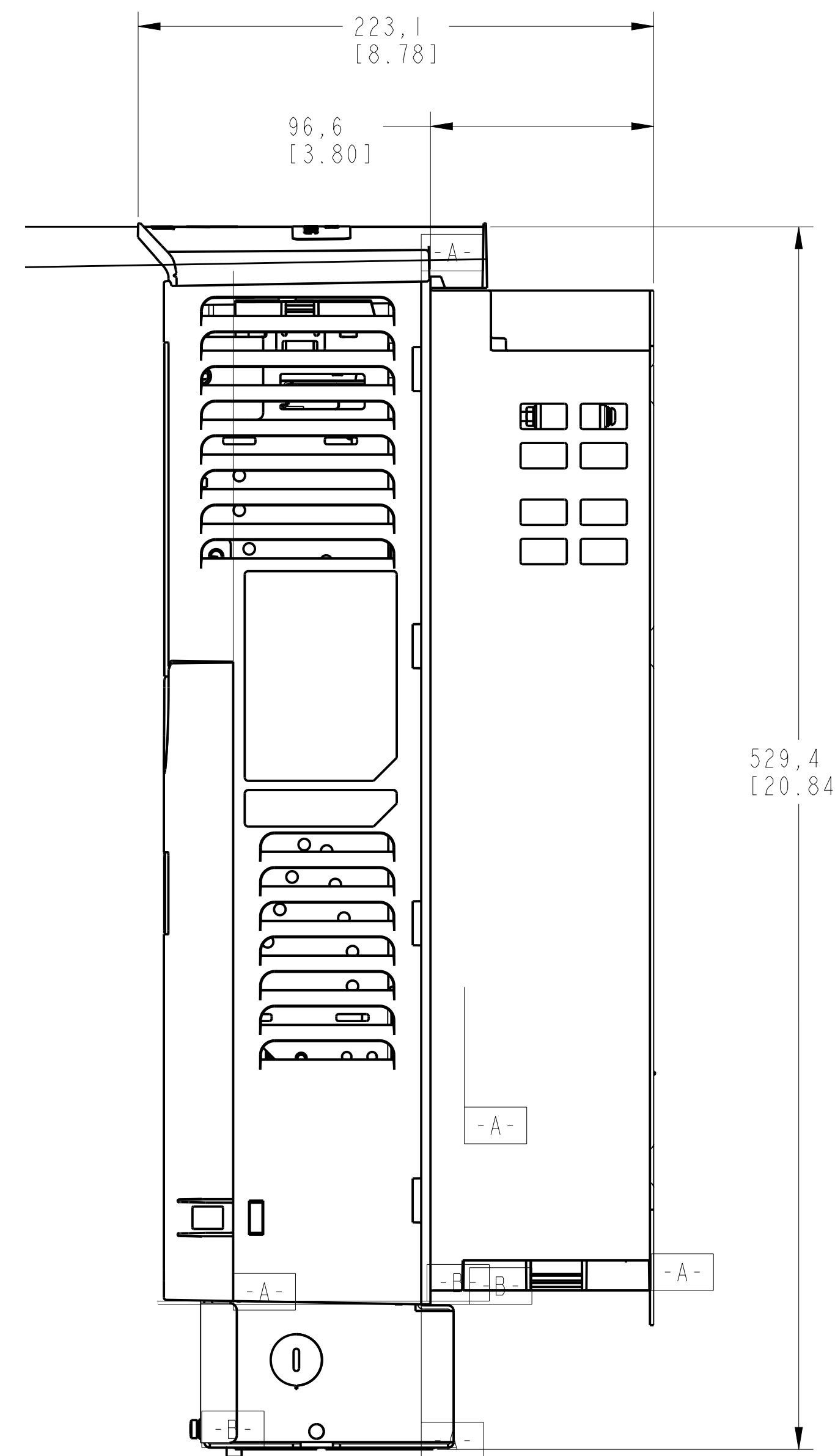
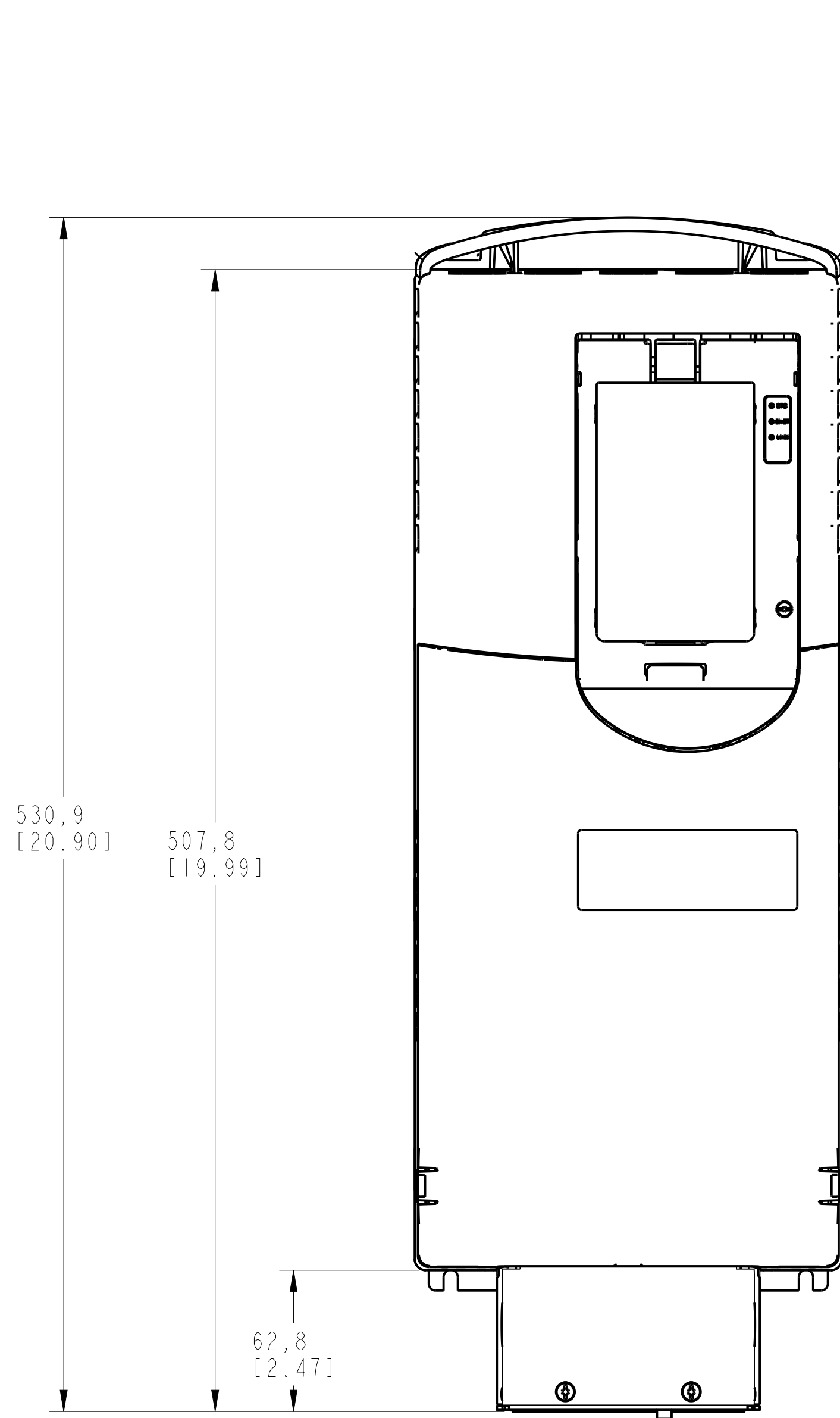
IP20, NEMA/UL Type Open



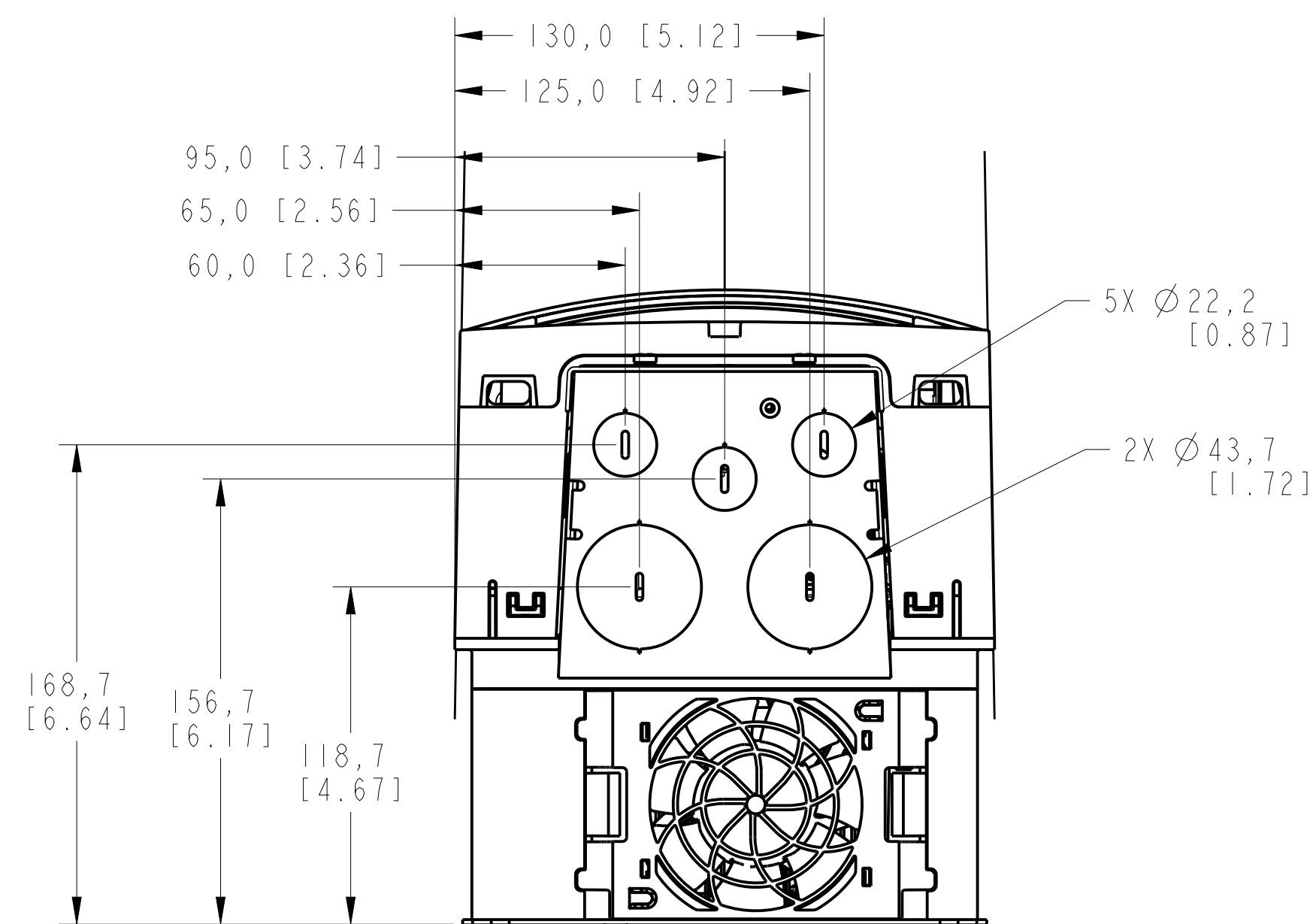
SCALE 0.500

IP20, NEMA/UL Type Open

		<small>CONFIDENTIAL AND PROPRIETARY INFORMATION THIS DOCUMENT CONTAINS CONFIDENTIAL AND PROPRIETARY INFORMATION OF ROCKWELL AUTOMATION, INC. AND MAY NOT BE USED, COPIED OR DISCLOSED TO OTHERS, EXCEPT WITH THE AUTHORIZED WRITTEN PERMISSION OF ROCKWELL AUTOMATION, INC.</small>	
		Sheet 1 Of 4	
<small>DESCRIPTION</small> STANDARD PF750-FRAME-3-IP20	<small>Size</small> D1R	<small>Ver</small> 357124-6	<small>Ver</small> 06
<small>Drawn by:</small> MGA04	<small>Date:</small> 09-06-15		



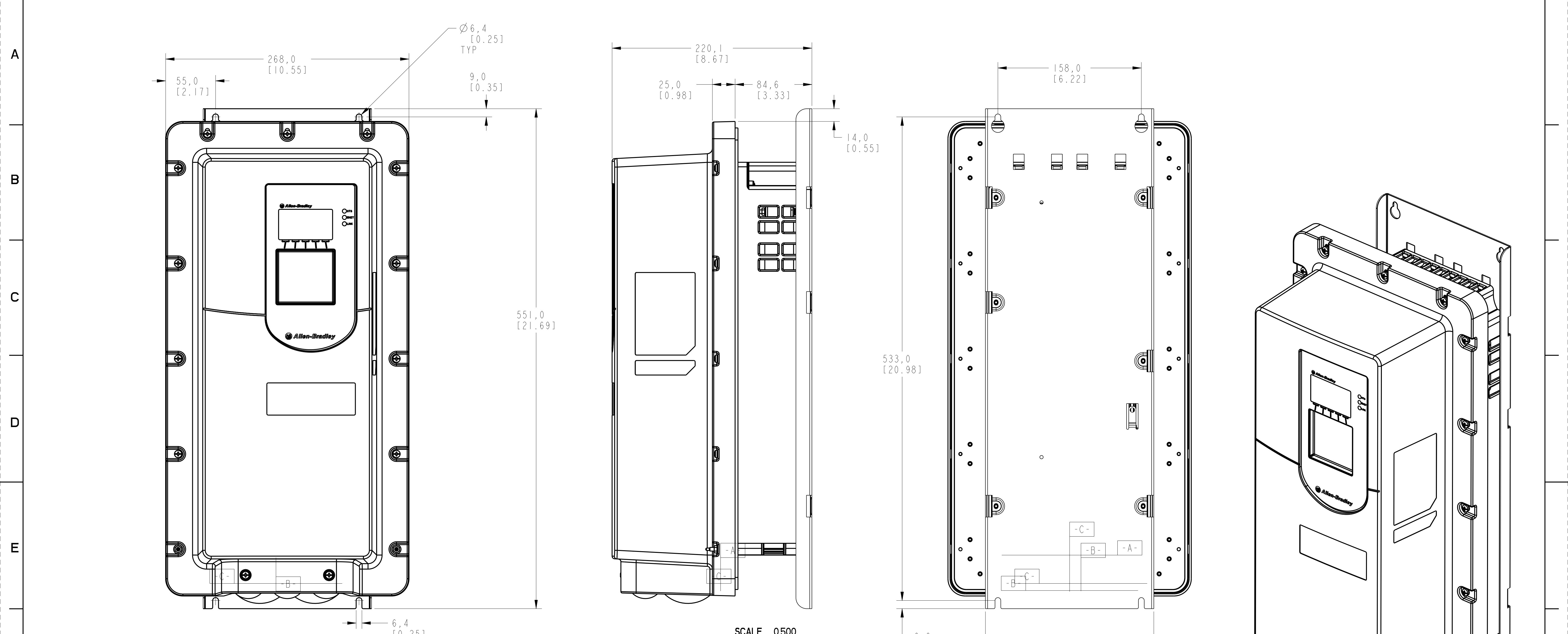
IP20, NEMA/UL Type 1



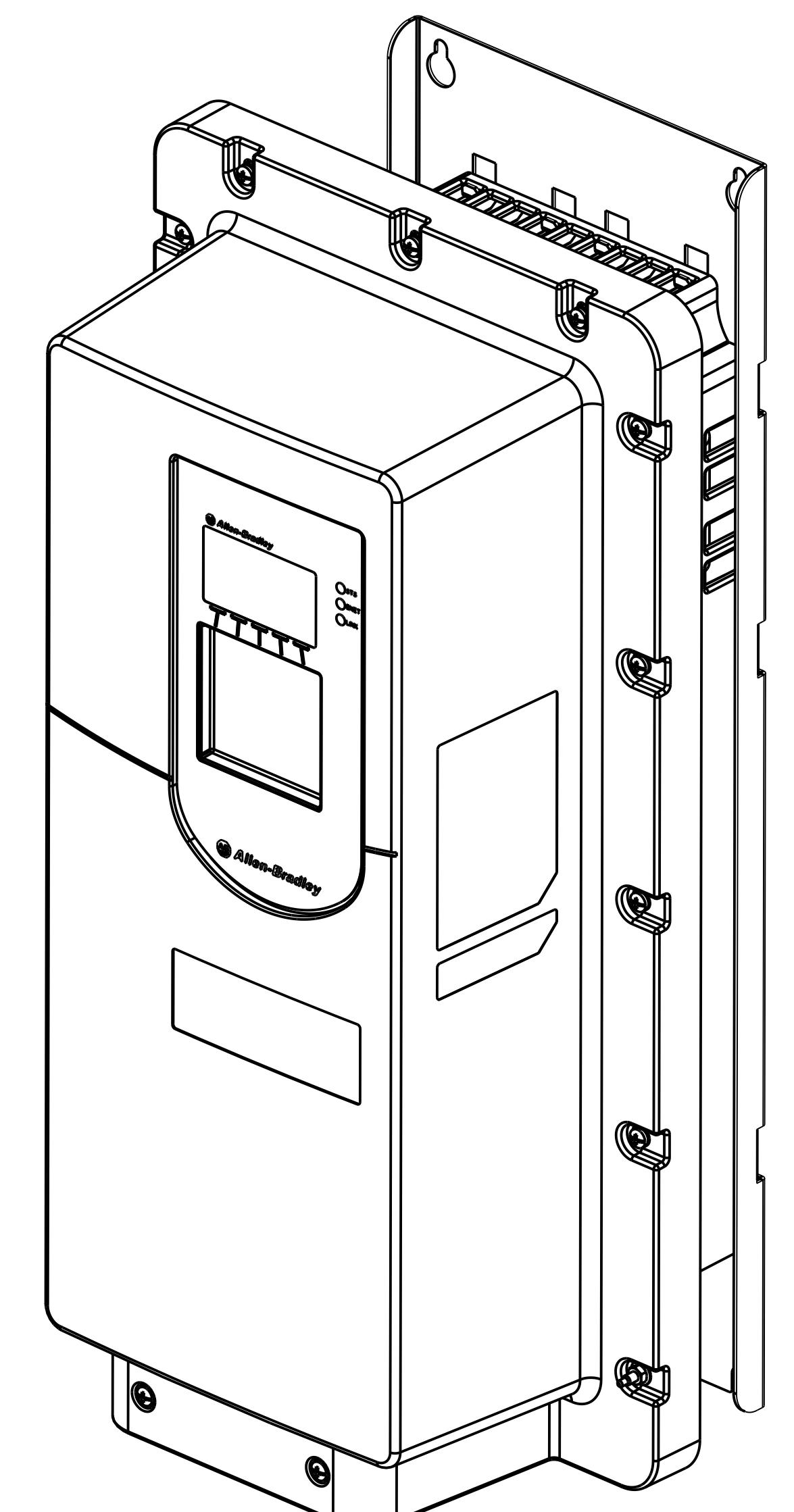
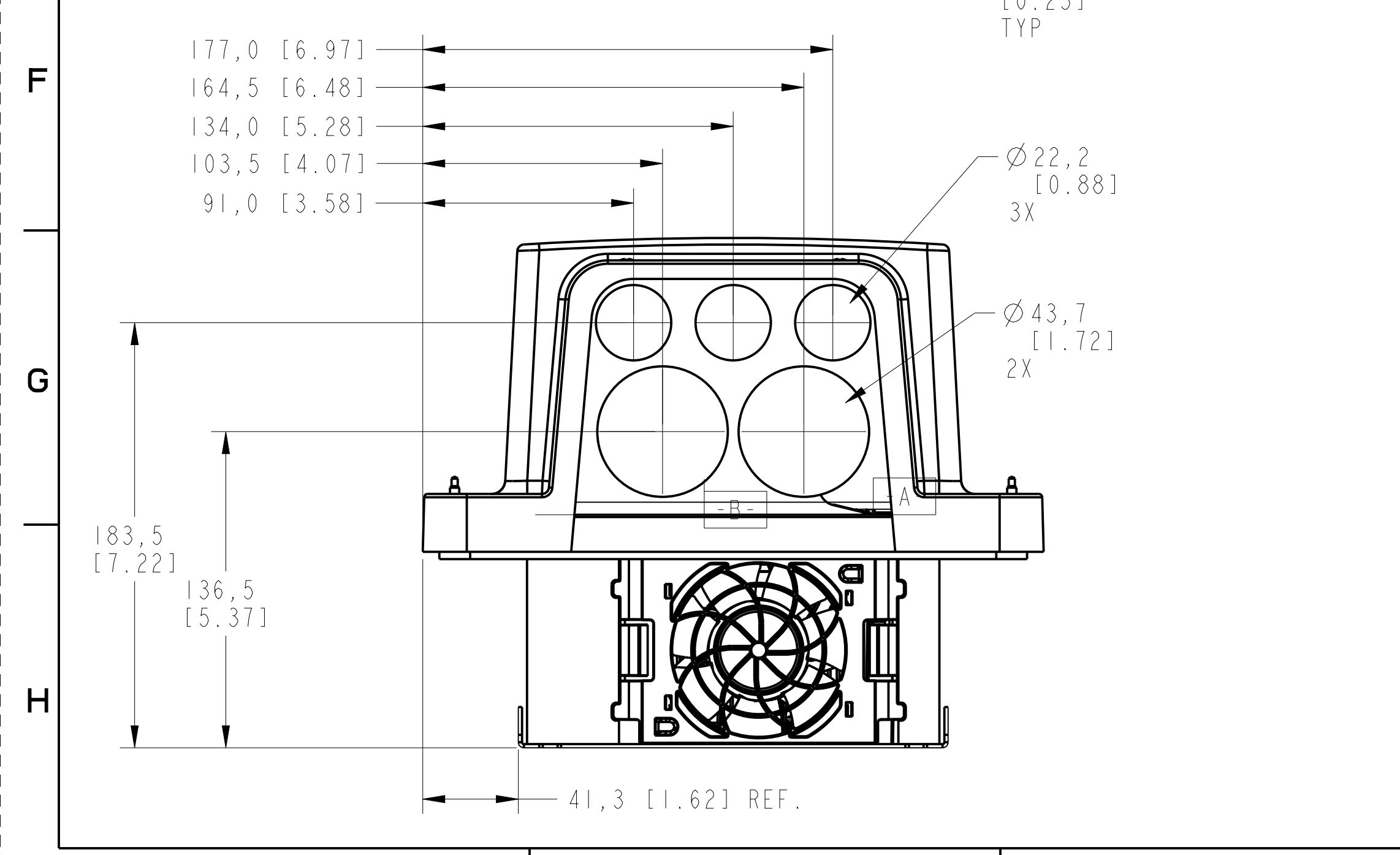
IP20, NEMA/UL Type 1

		<small>CONFIDENTIAL AND PROPRIETARY INFORMATION. THIS DOCUMENT CONTAINS CONFIDENTIAL AND PROPRIETARY INFORMATION OF ROCKWELL AUTOMATION, INC. AND MAY NOT BE USED, COPIED OR DISCLOSED TO OTHERS, EXCEPT WITH THE AUTHORIZED WRITTEN PERMISSION OF ROCKWELL AUTOMATION, INC.</small>	
		Sheet 2 Of 4	
DESCRIPTION STANDARD PF750-FRAME-3-TYPE1	Size D	Part No. 357124-6	Ver. 06
Drawn by: MGA04	Date: 09-06-15		

1 2 3 4 5 6 7 8



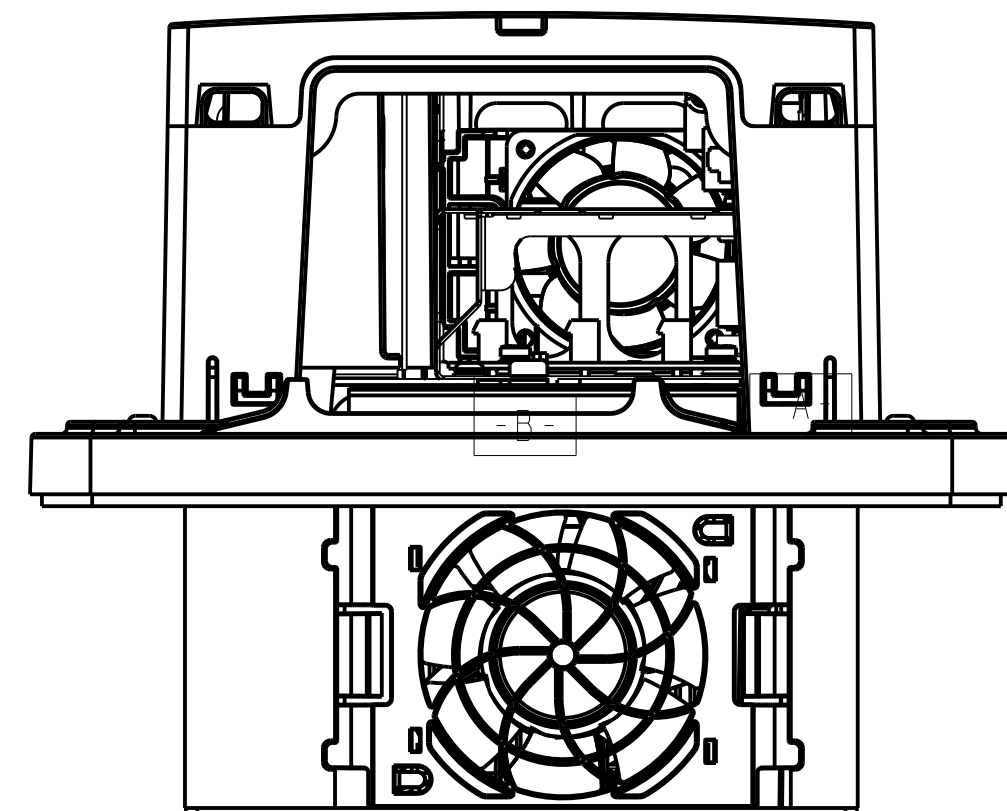
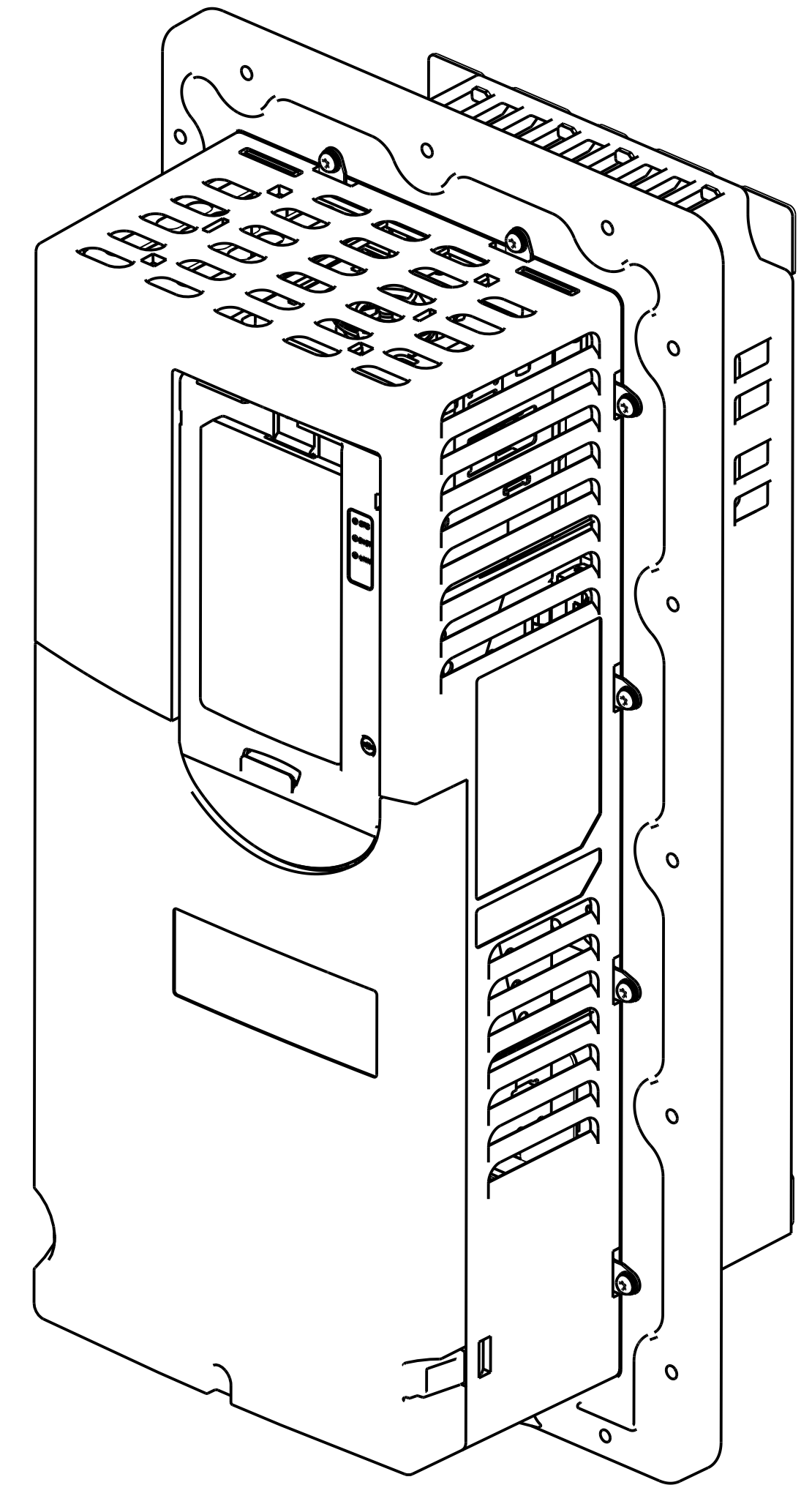
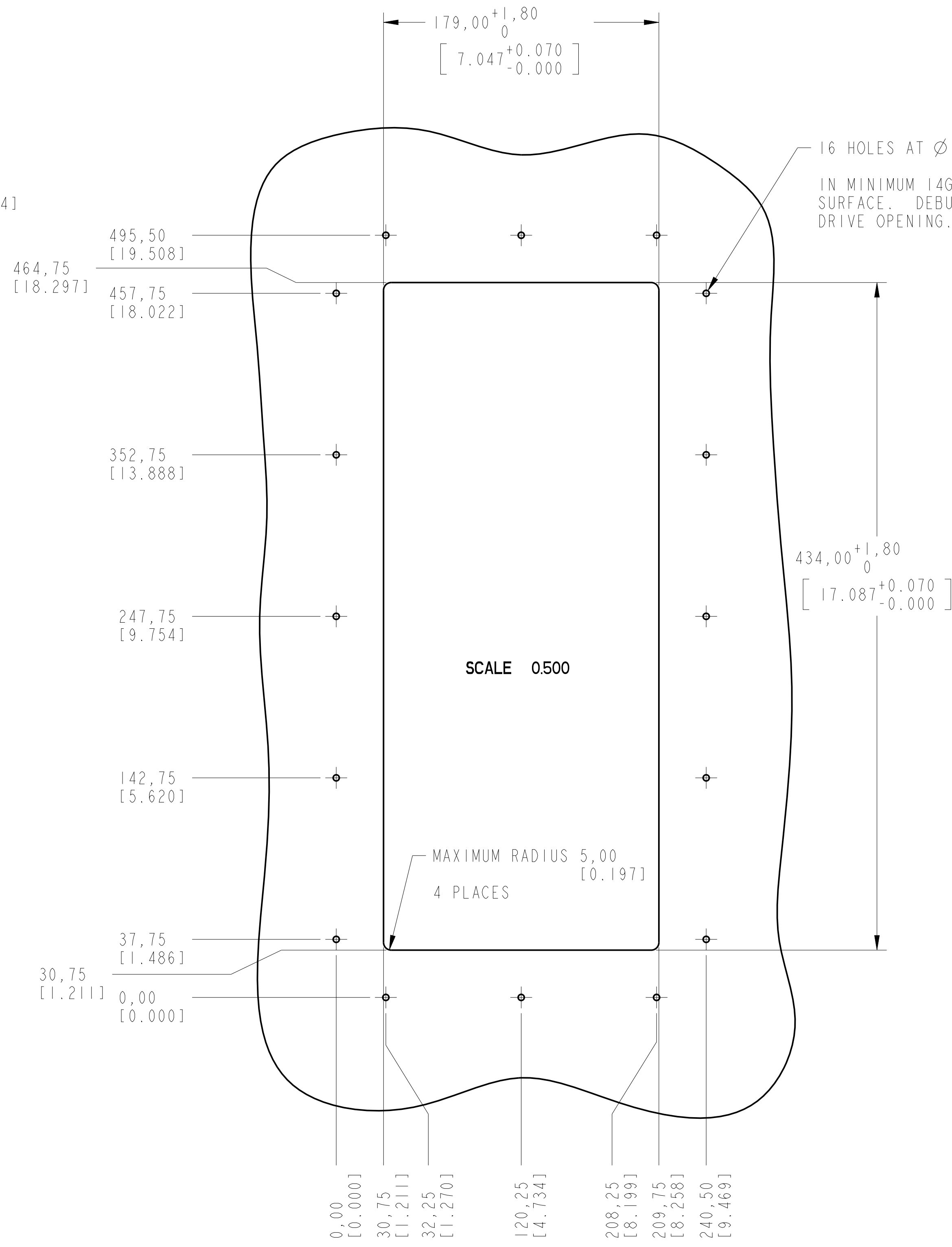
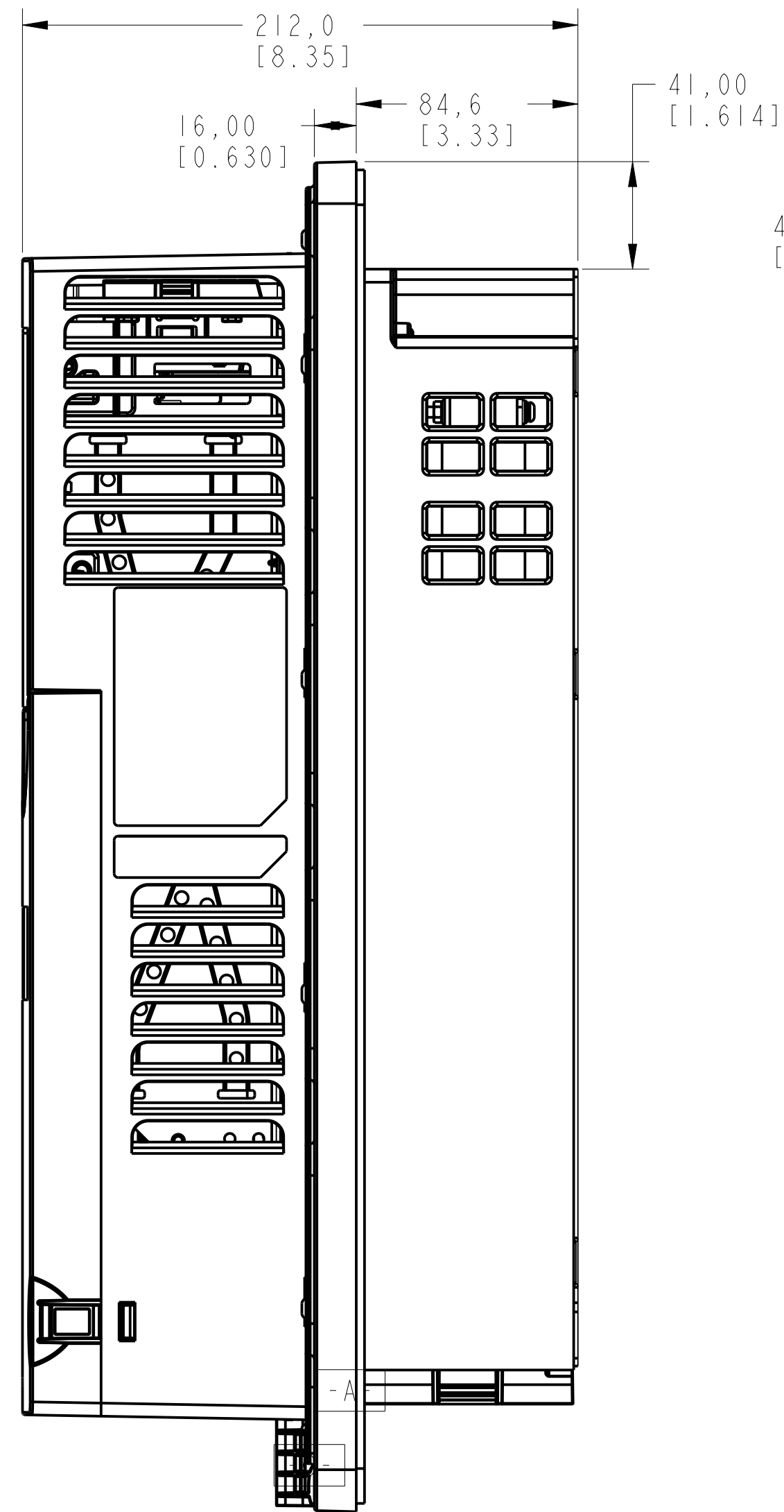
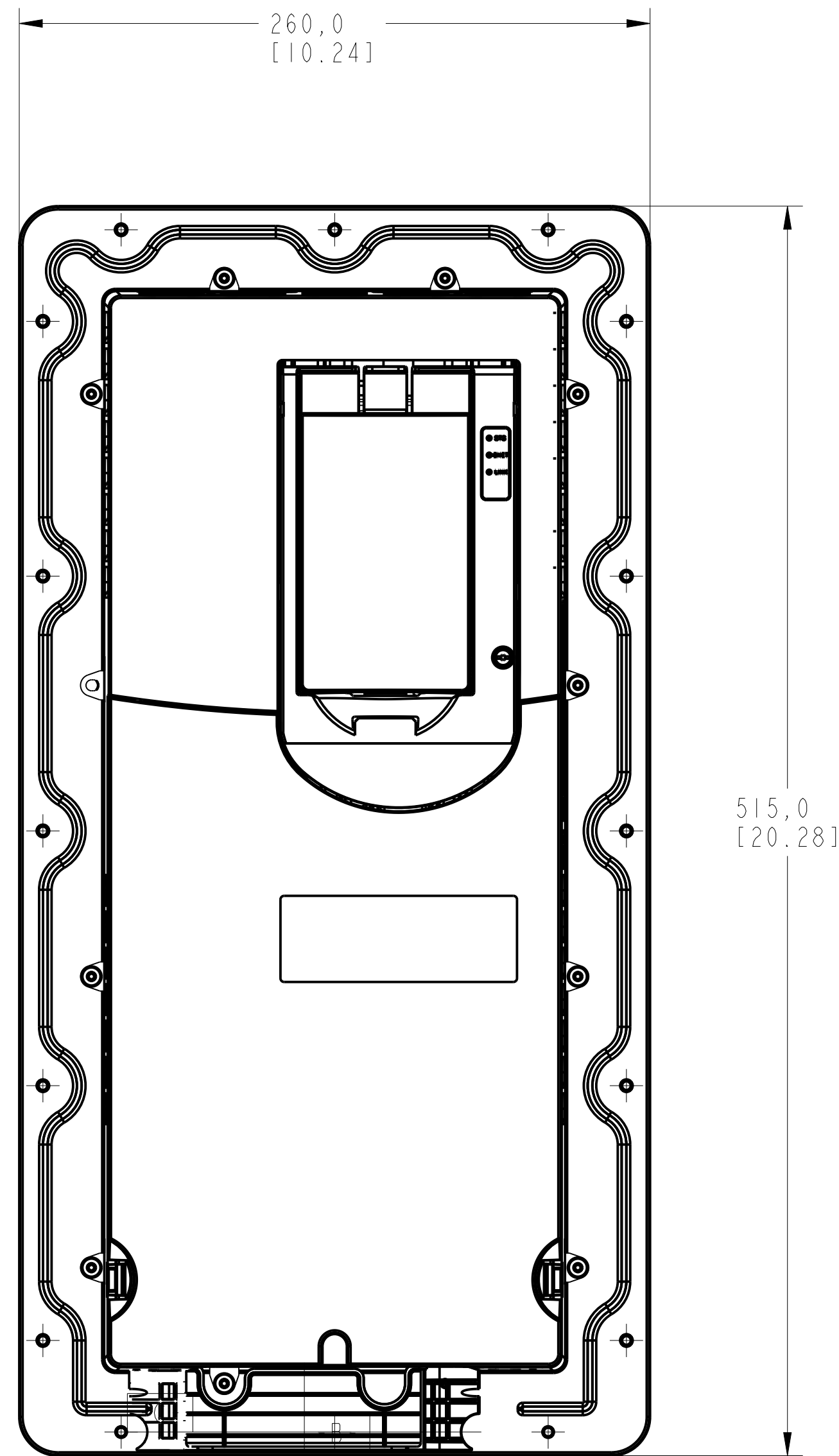
IP54, NEMA/UL Type 12



SCALE 0.500

IP54, NEMA/UL Type 12

		<small>CONFIDENTIAL AND PROPRIETARY INFORMATION. THIS DOCUMENT CONTAINS CONFIDENTIAL AND PROPRIETARY INFORMATION OF ROCKWELL AUTOMATION, INC. AND MAY NOT BE USED, COPIED OR DISCLOSED TO OTHERS, EXCEPT WITH THE AUTHORIZED WRITTEN PERMISSION OF ROCKWELL AUTOMATION, INC.</small>	
		Sheet 3 Of 4	
STANDARD PF750-FRAME-3-TYPE12	Size D1R	357124-6	Ver 06
Drawn by: MGA04	Date: 09-06-15		



Flange Mount Drive  
Front: IP20, NEMA/UL Type Open  
Back: IP66, NEMA/UL 4X

# FLANGE MOUNT DRIVE PANEL CUTOUT

Flange Mount Drive  
Front: IP20, NEMA/UL Type Open  
Back: IP66, NEMA/UL 4X

NOTE:

1. MOUNTING HARDWARE SHIPPED WITH FLANGE MOUNT DRIVE.

		<small>CONFIDENTIAL AND PROPRIETARY INFORMATION THIS DOCUMENT CONTAINS CONFIDENTIAL AND PROPRIETARY INFORMATION OF ROCKWELL AUTOMATION, INC. AND MAY NOT BE USED, COPIED OR DISCLOSED TO OTHERS, EXCEPT WITH THE AUTHORIZED WRITTEN PERMISSION OF ROCKWELL AUTOMATION, INC.</small>	
		STANDARD PF750-FRAME-3-FLANGE MOUNT	Sheet 4 Of 4
DESCRIPTION	Size D1R	357124-6	Ver 06
Drawn by: MGA04	Date: 09-06-15		