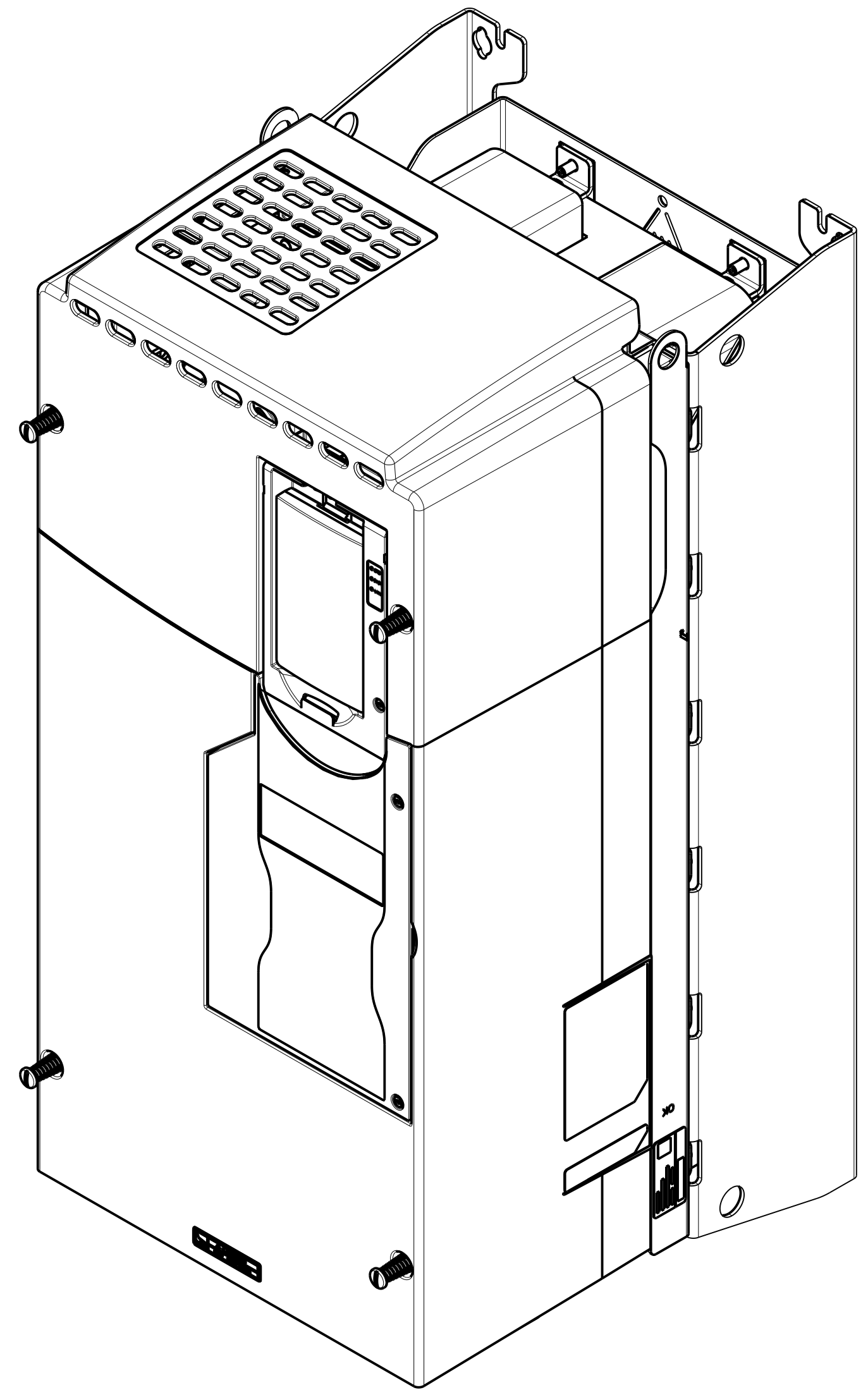
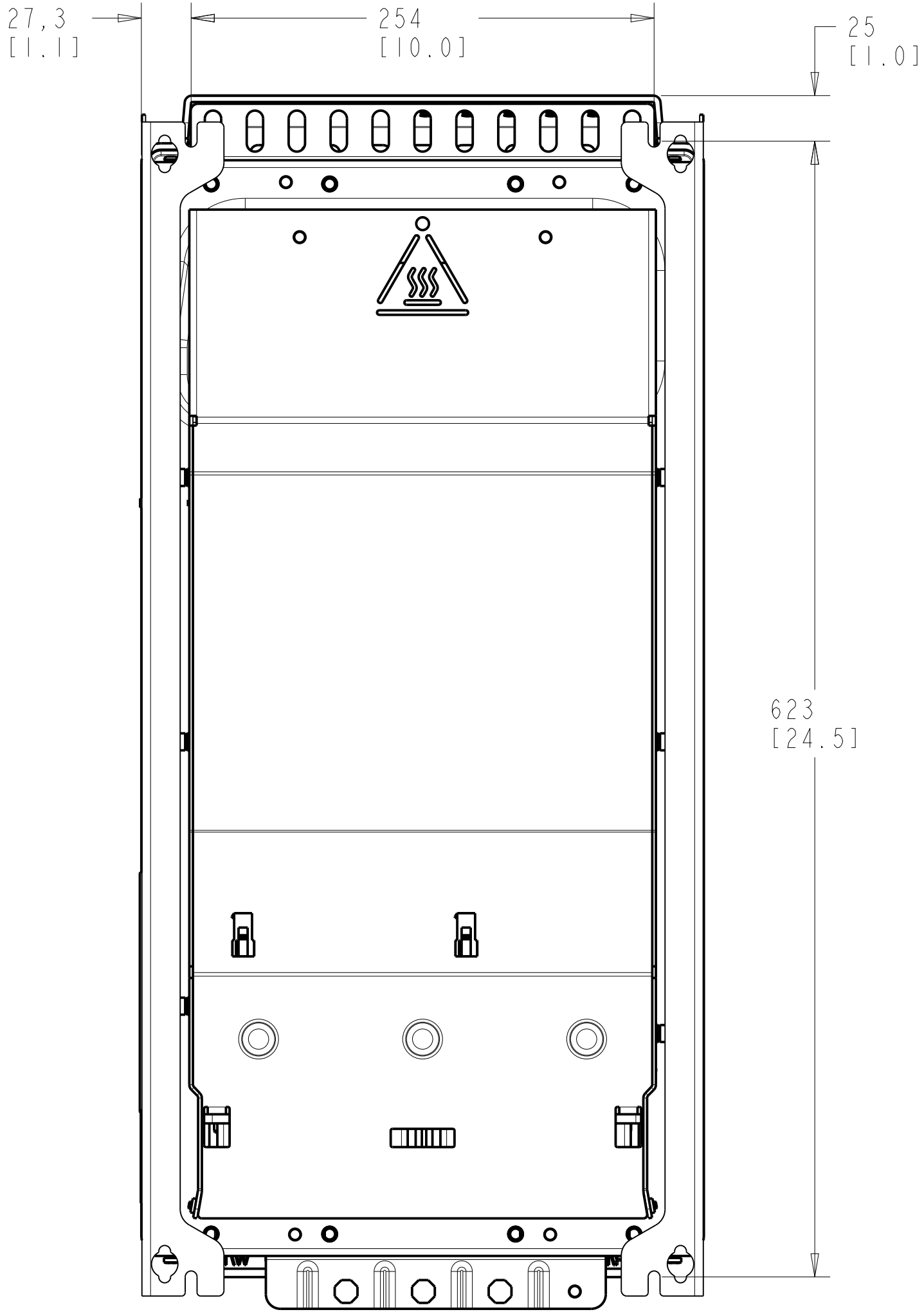
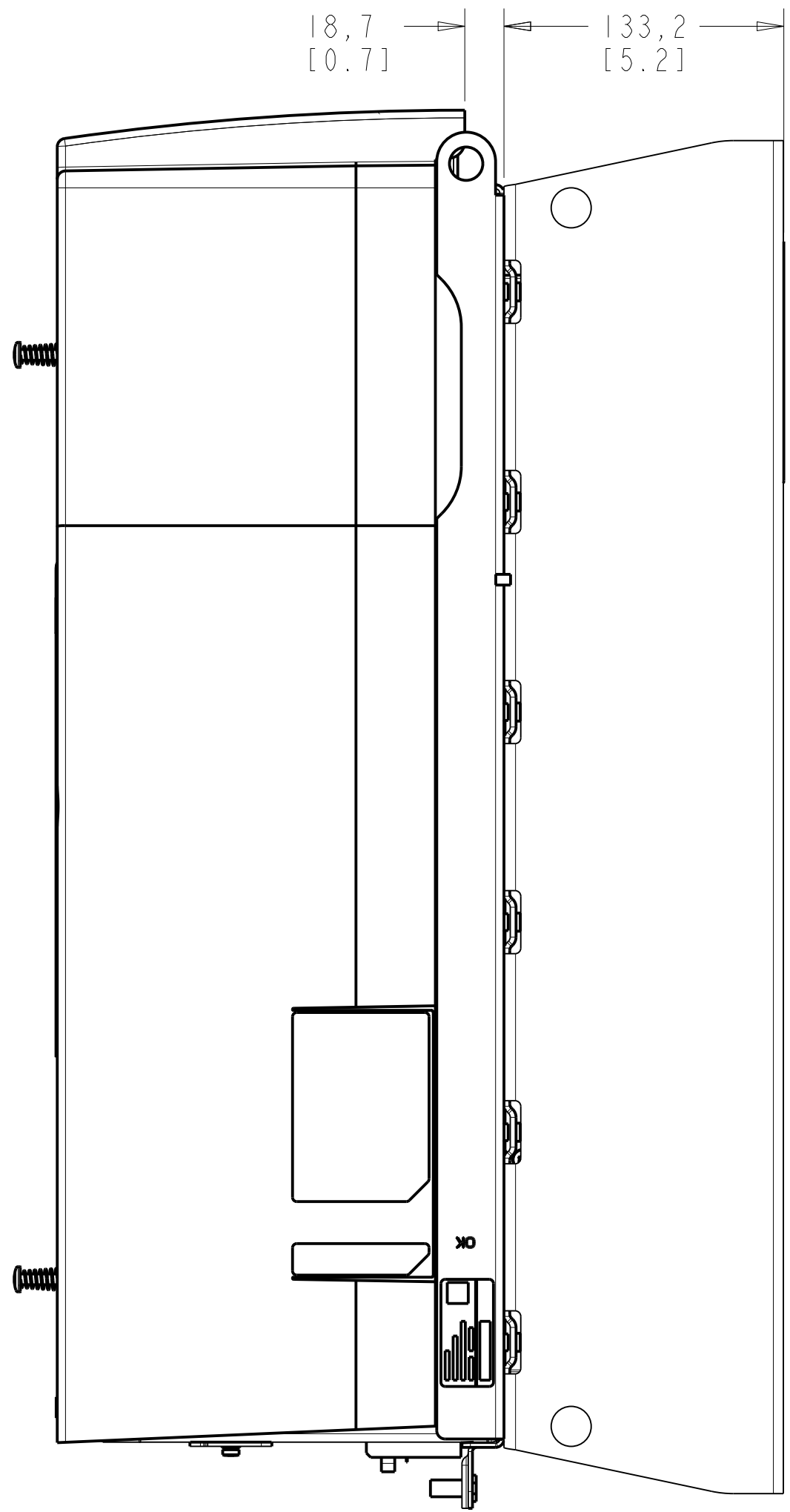
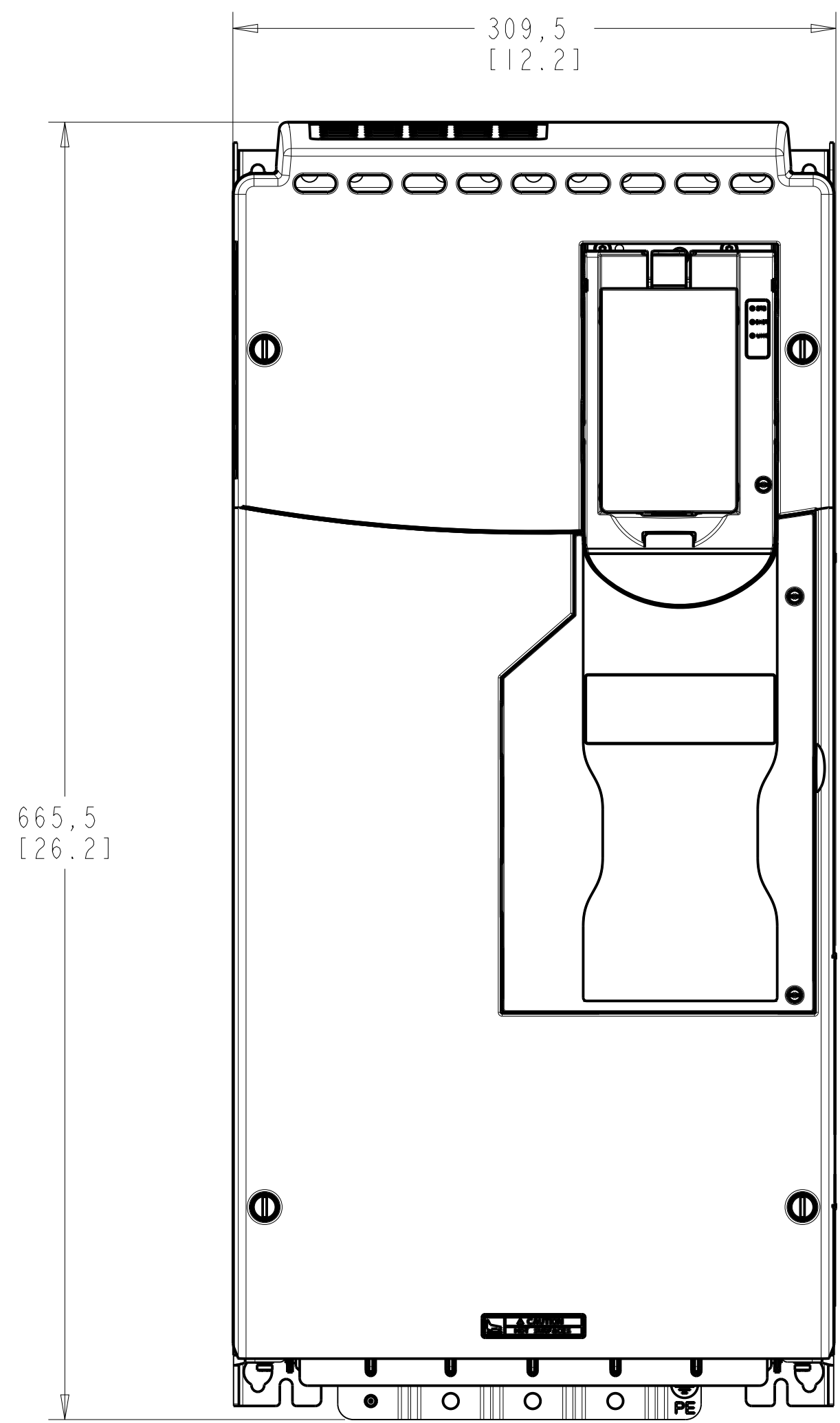


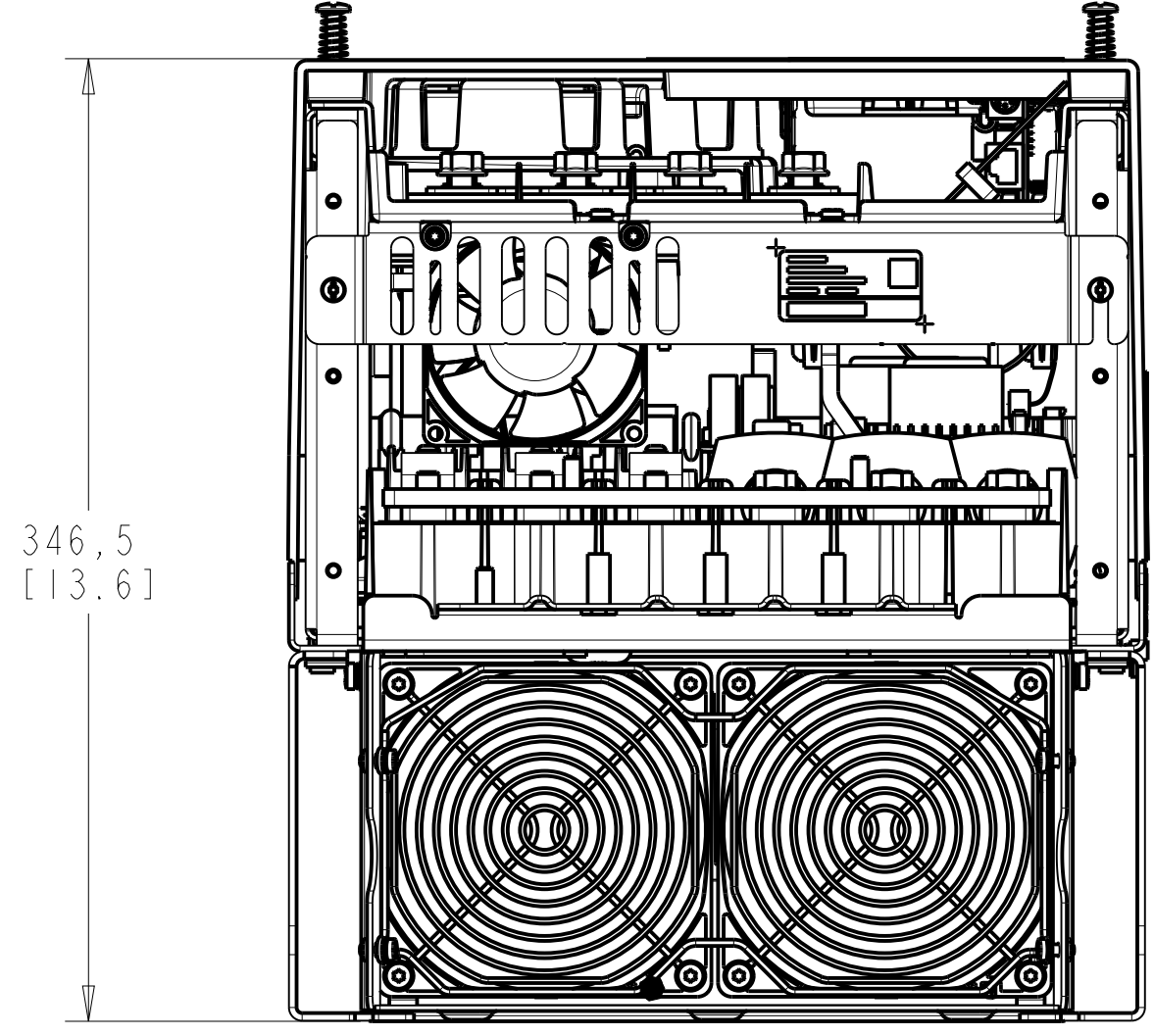
1 2 3 4 5 6 7 8

A B C D E F G H



SCALE 0.375

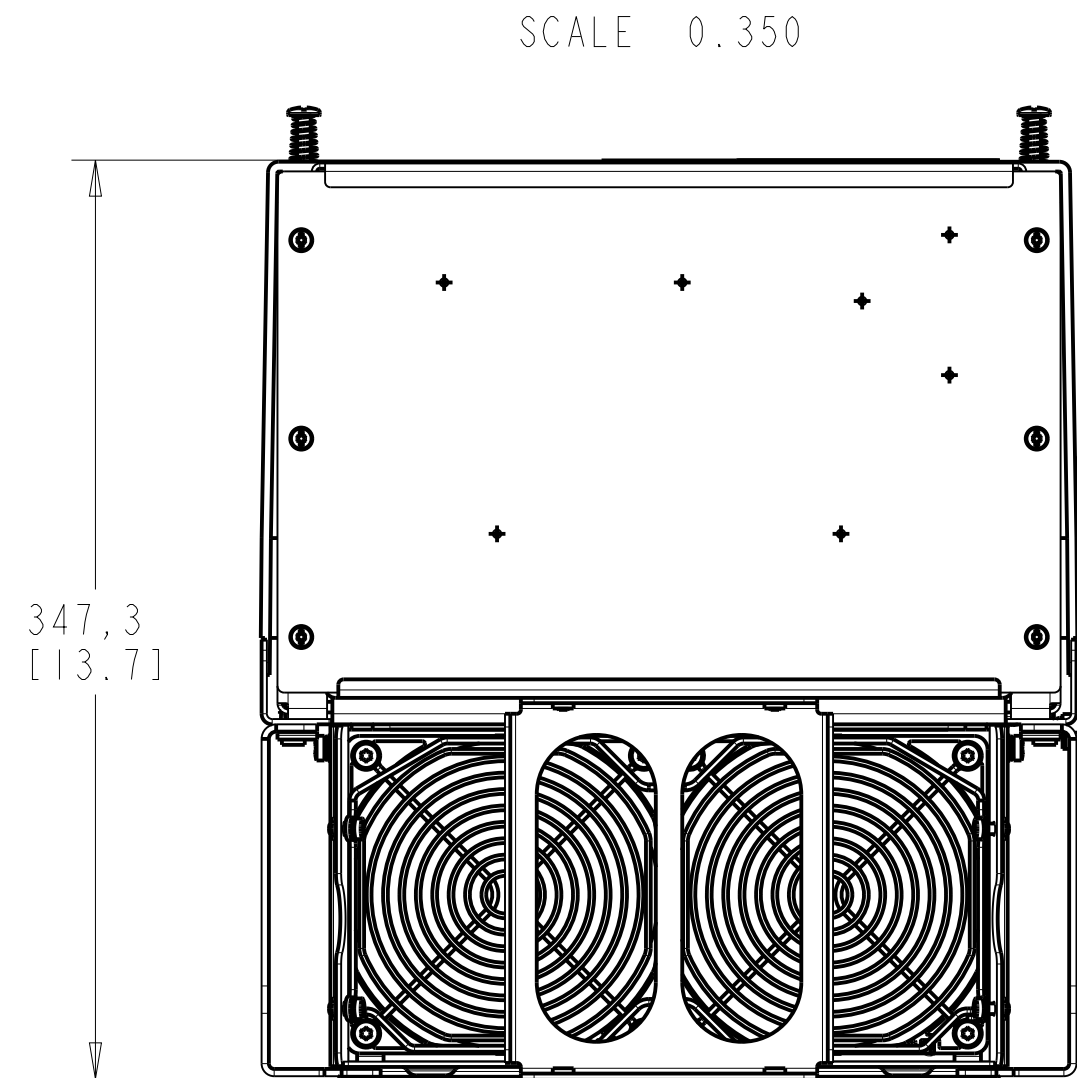
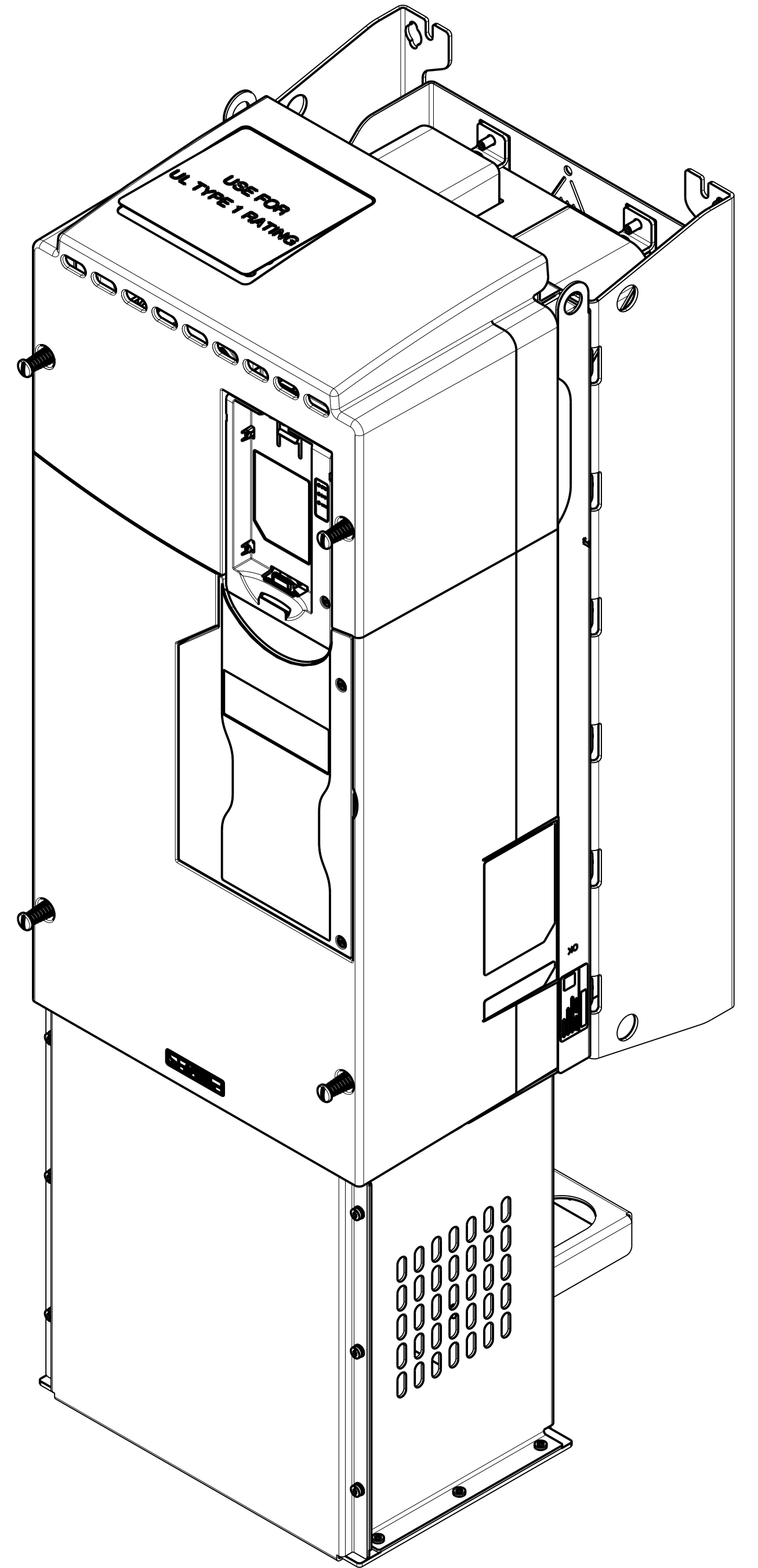
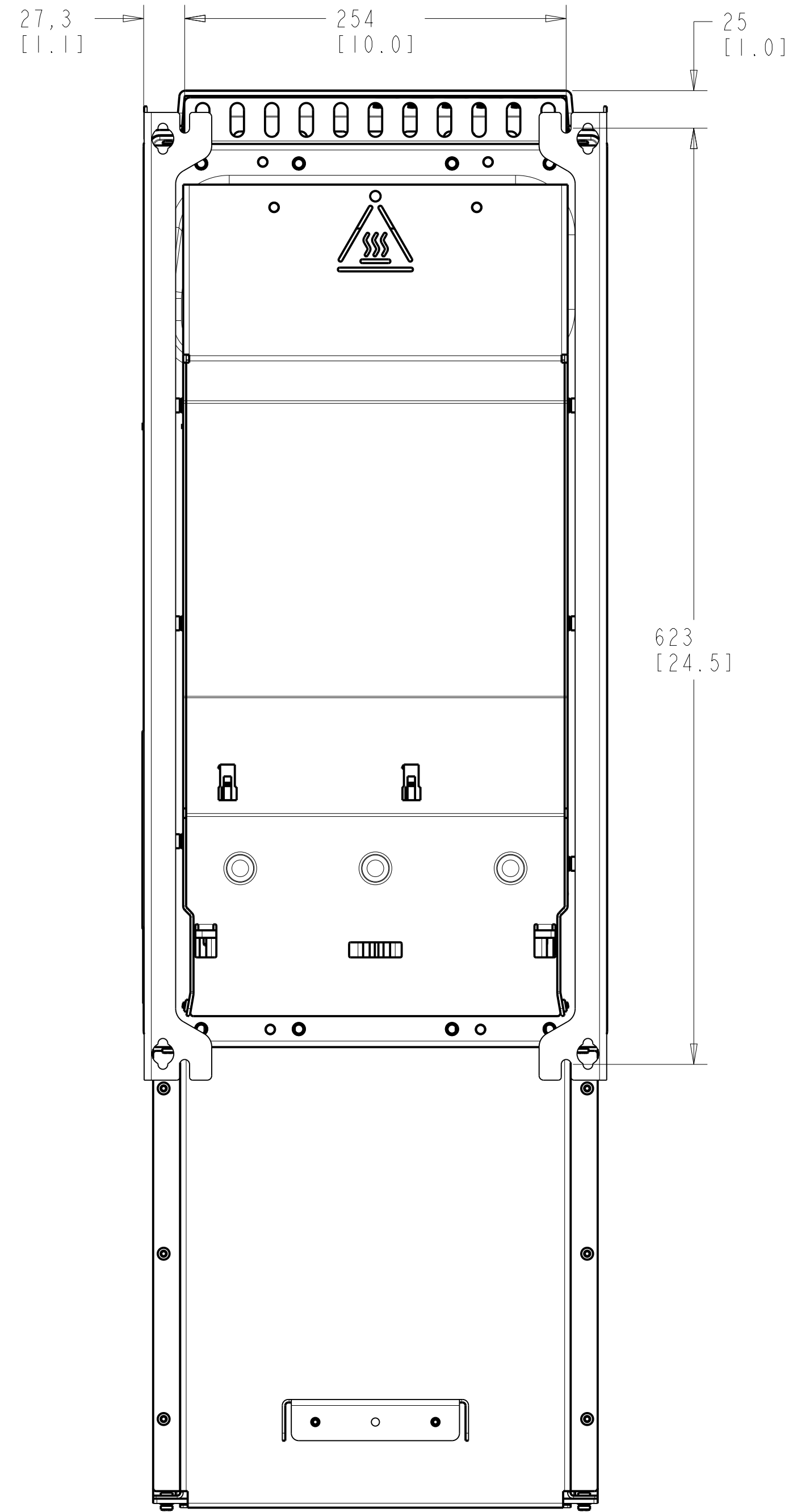
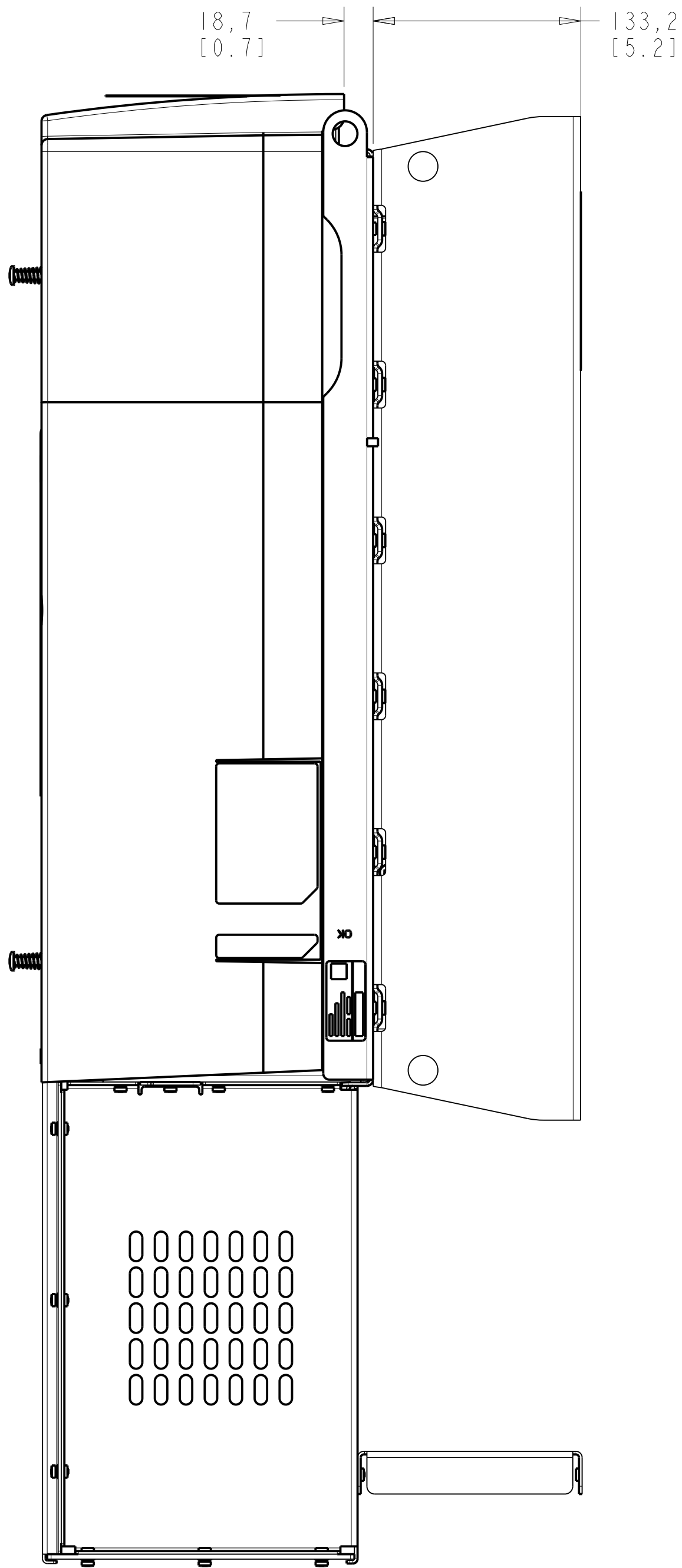
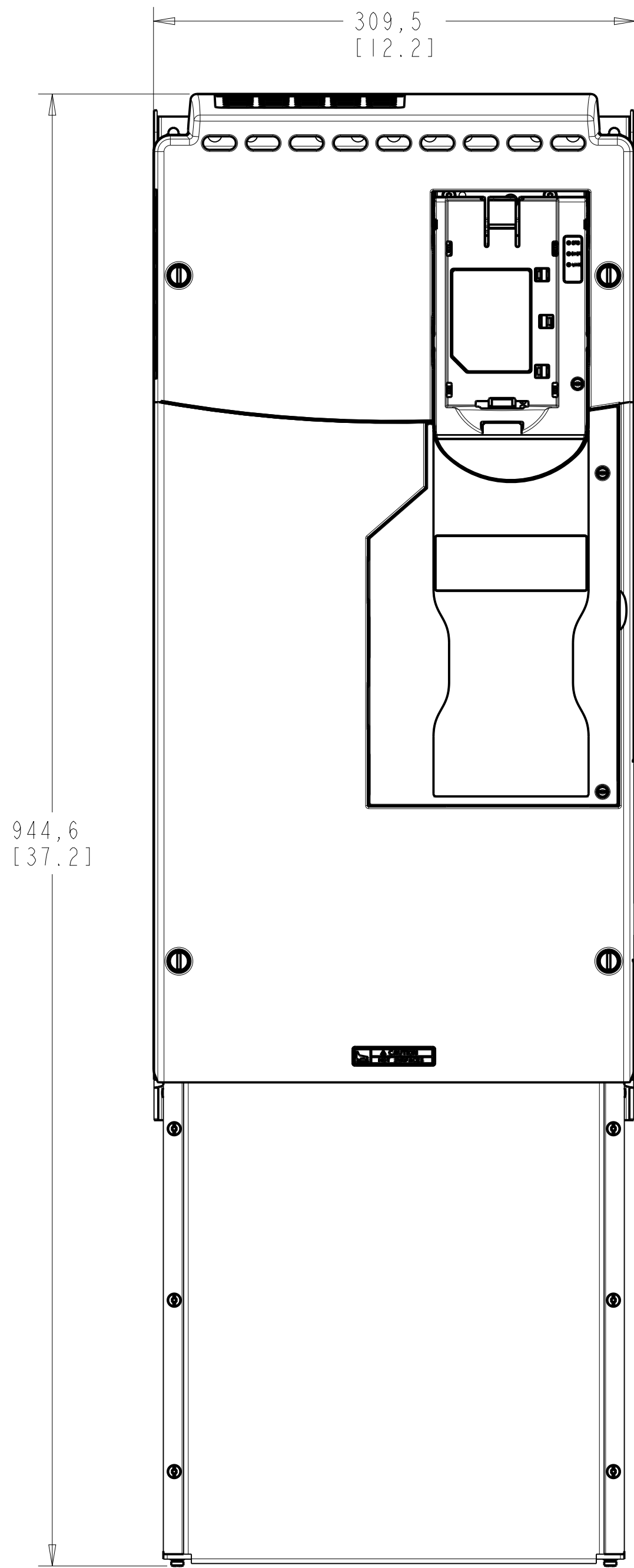
SCALE 0.375



IP00, NEMA Type open

IP00, NEMA Type open

		<small>CONFIDENTIAL AND PROPRIETARY INFORMATION. THIS DOCUMENT CONTAINS CONFIDENTIAL AND PROPRIETARY INFORMATION OF ROCKWELL AUTOMATION, INC. AND MAY NOT BE USED, COPIED OR DISCLOSED TO OTHERS, EXCEPT WITH THE AUTHORIZED WRITTEN PERMISSION OF ROCKWELL AUTOMATION, INC.</small>	
		Sheet 1 Of 3	
DESCRIPTION STANDARD PF750-FRAME-6-IP00	SIZE D1R D	VER 357129-6	VER 07
DRAWN BY: XTAC1	DATE: 04-08-2014		

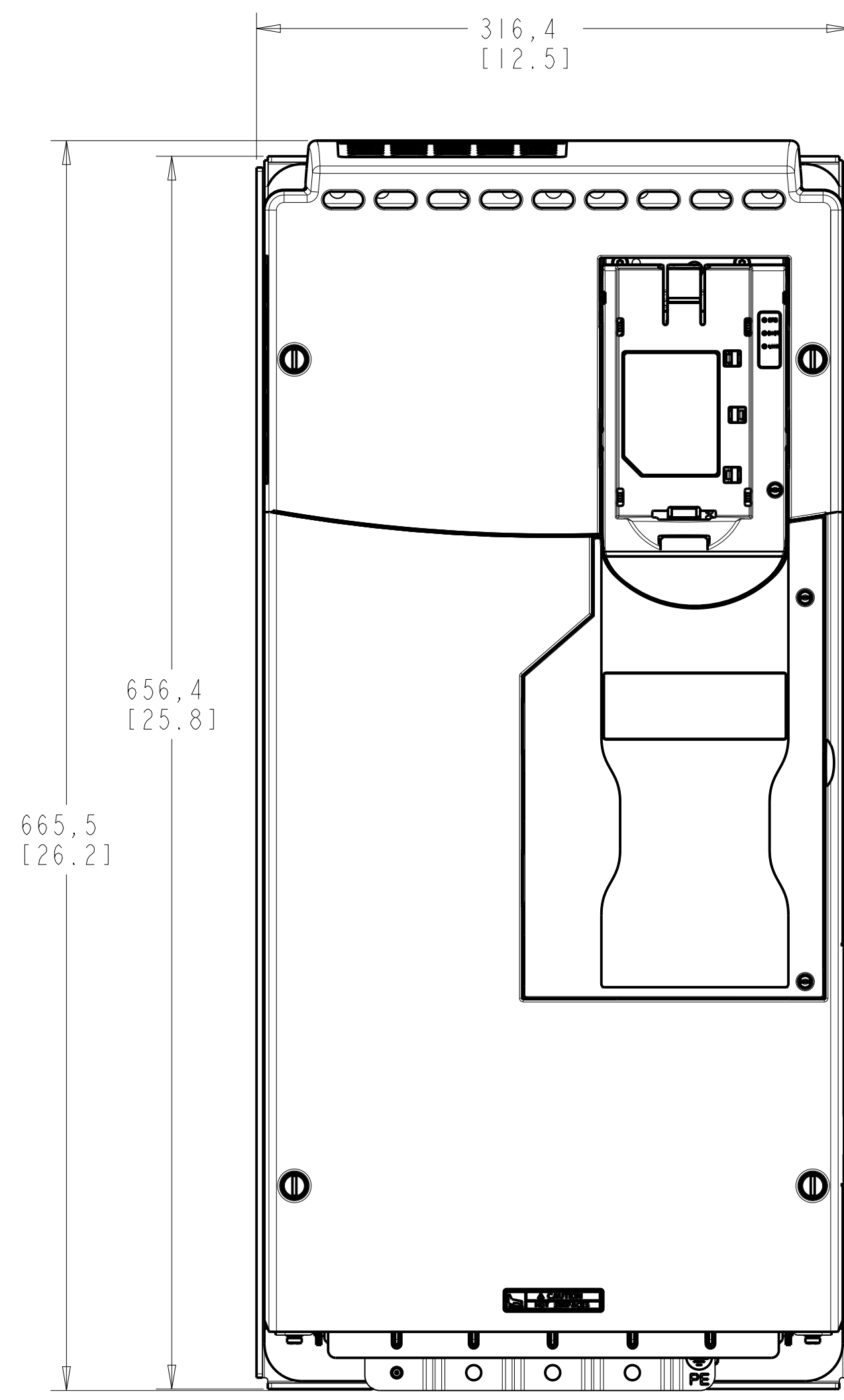


NEMA TYPE1

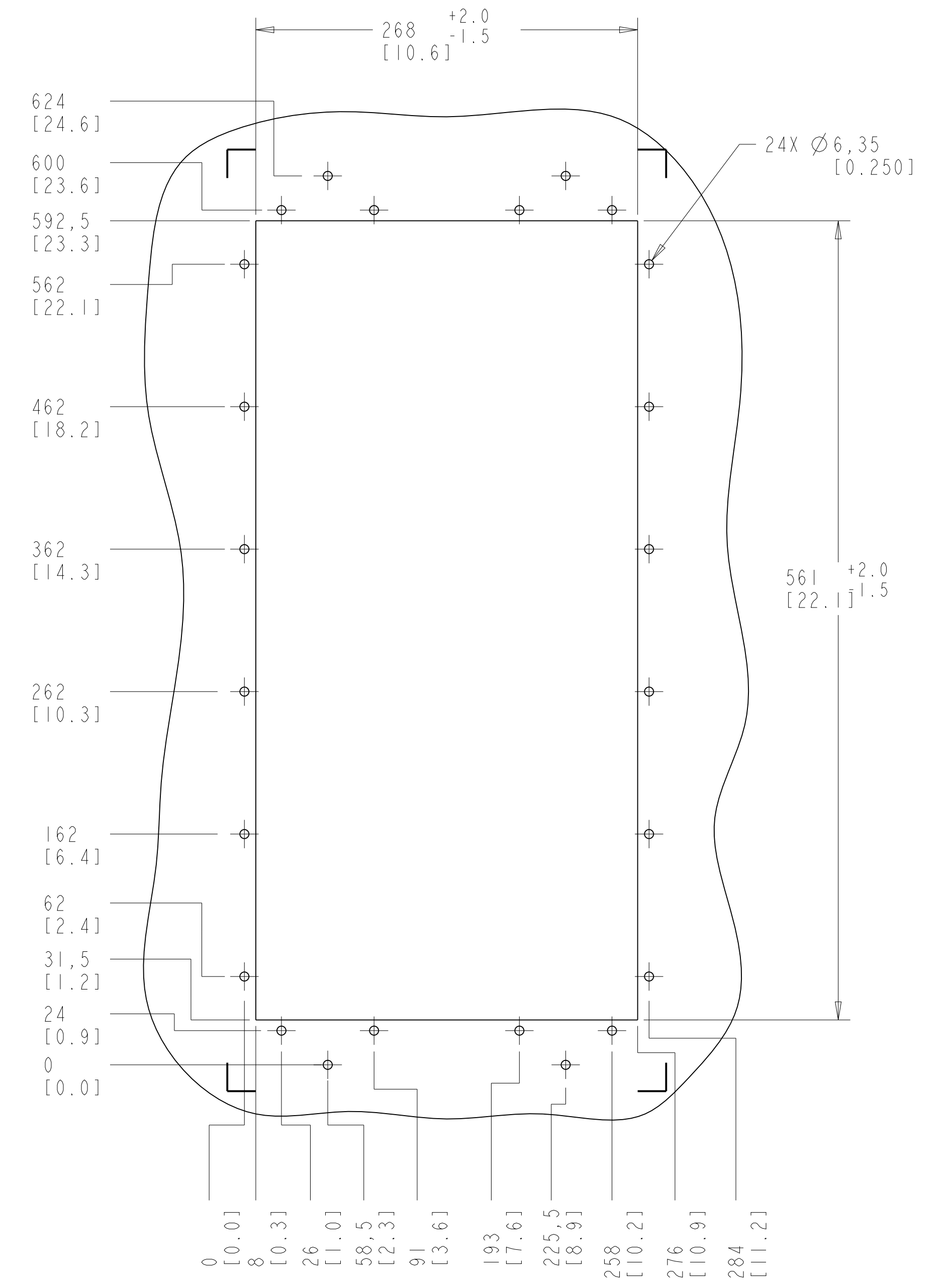
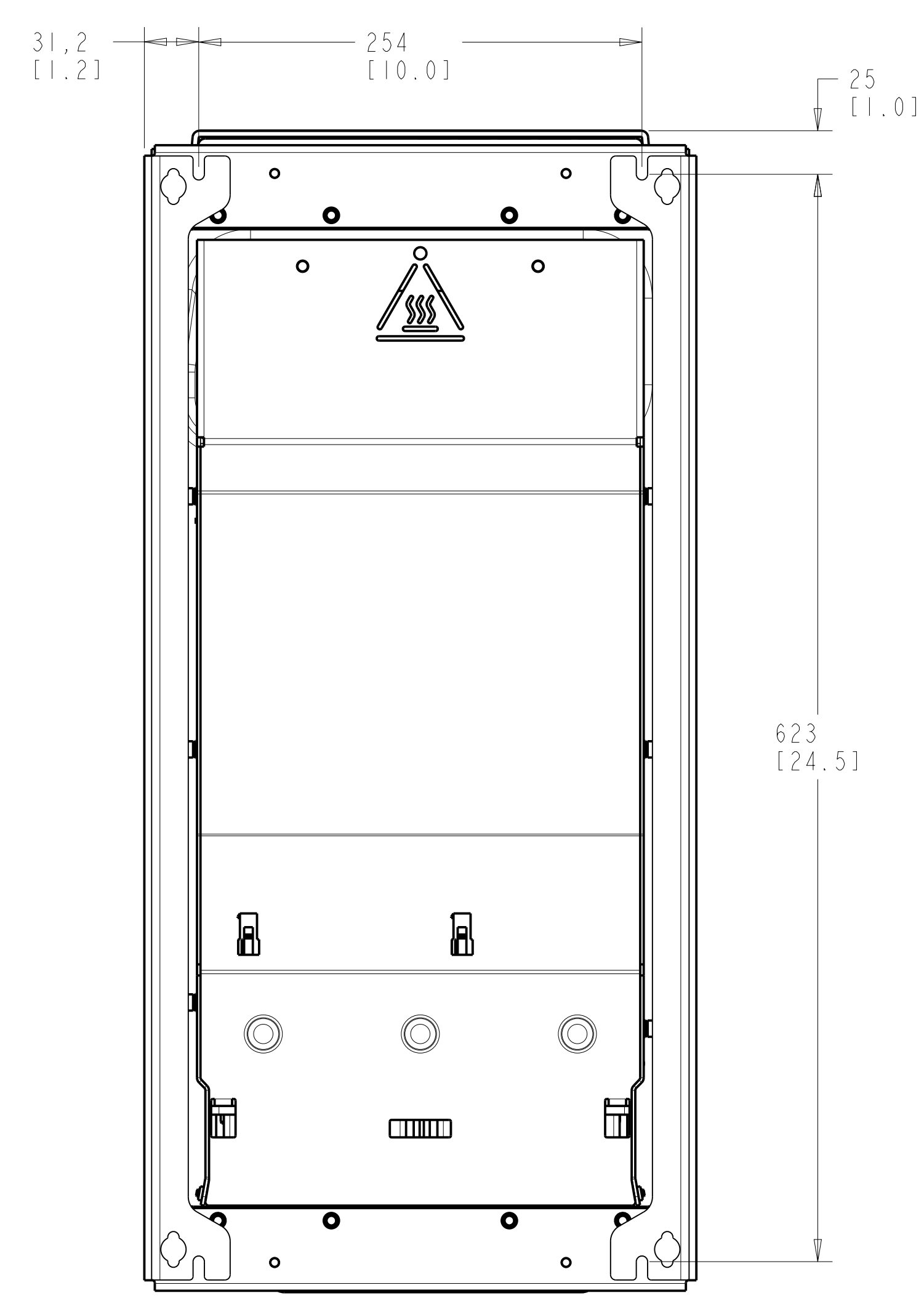
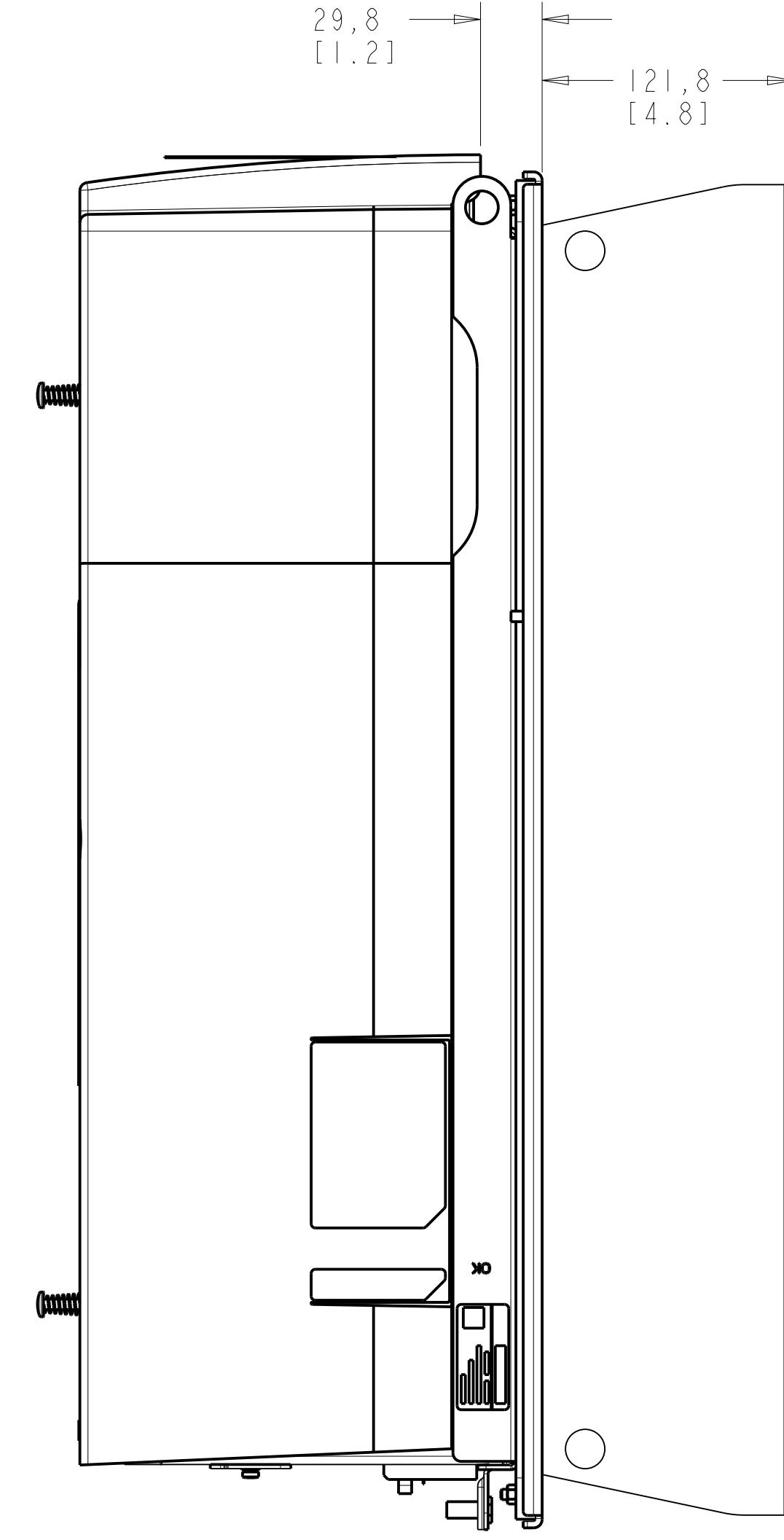
SCALE 0.350

NEMA TYPE1

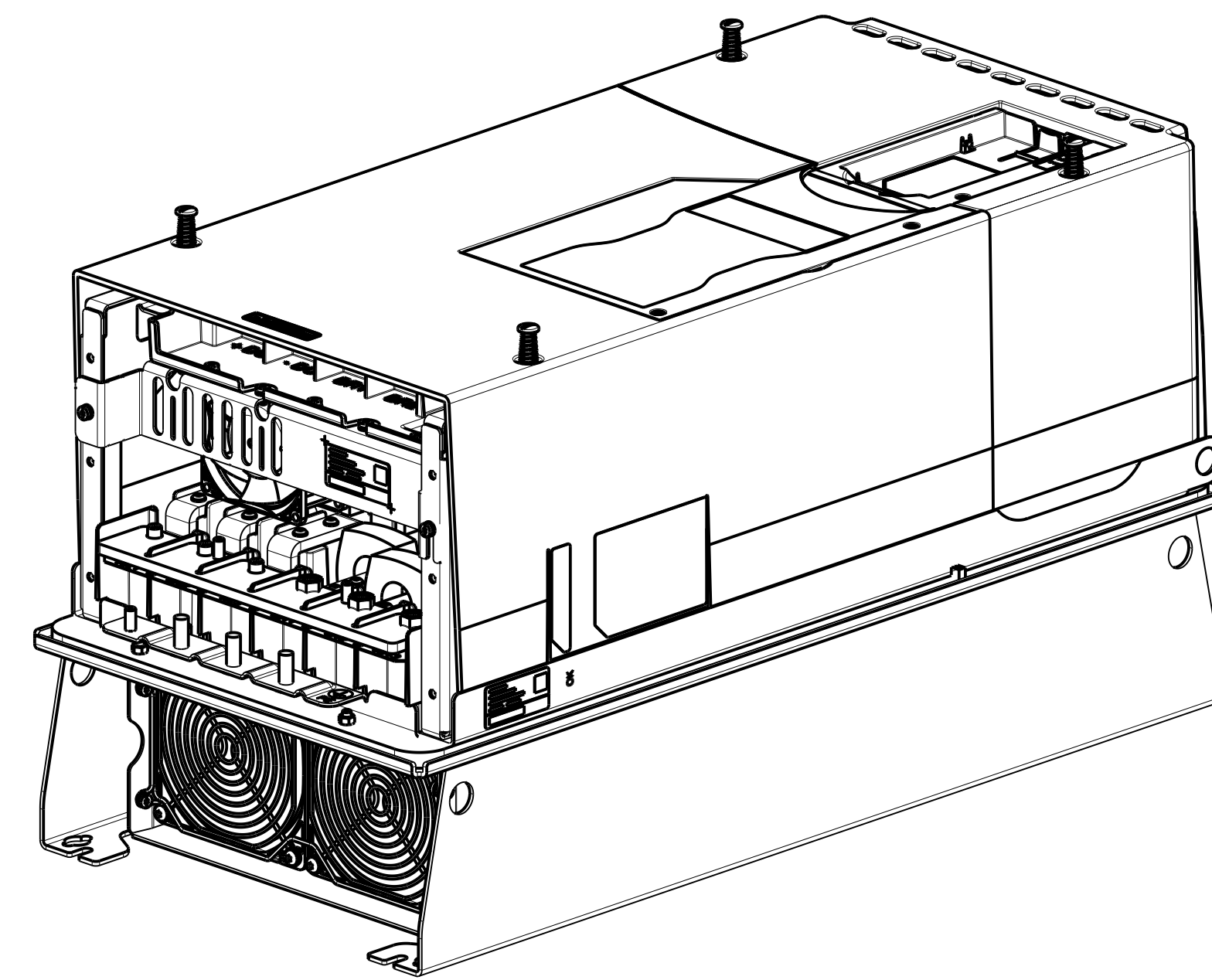
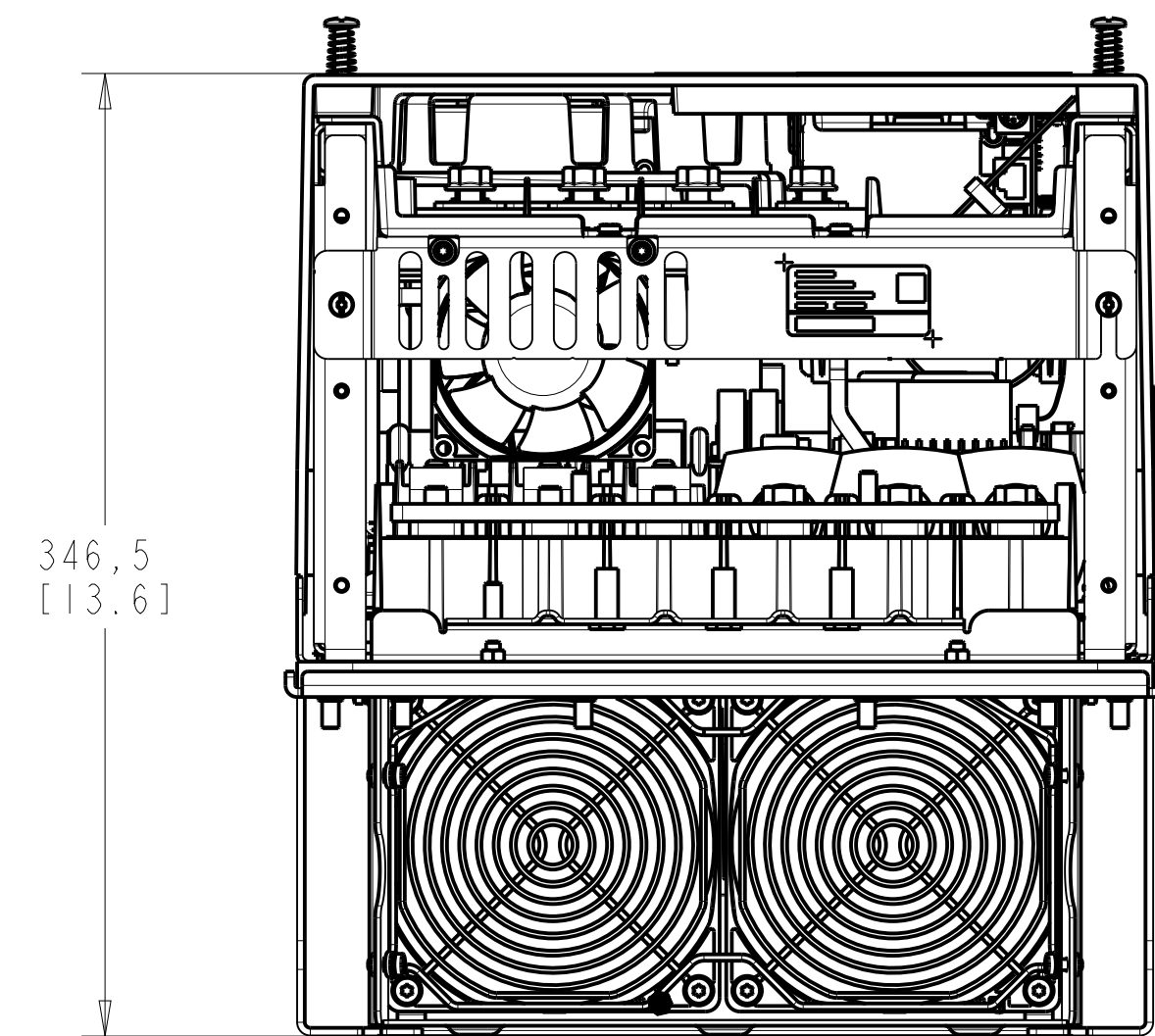
		<small>CONFIDENTIAL AND PROPRIETARY INFORMATION. THIS DOCUMENT CONTAINS CONFIDENTIAL AND PROPRIETARY INFORMATION OF ROCKWELL AUTOMATION, INC. AND MAY NOT BE USED, COPIED OR DISCLOSED TO OTHERS, EXCEPT WITH THE AUTHORIZED WRITTEN PERMISSION OF ROCKWELL AUTOMATION, INC.</small>	
		Sheet 2 Of 3	
DESCRIPTION STANDARD PF750-FRAME-6-TYPE1	SIZE D1R D	VER 357129-6	VER 07
DRAWN BY: XTACI	DATE: 04-08-2014		



SCALE 0.375



SCALE 0.375



SCALE 0.300

TYPE 4X,IP66 FLANGE MOUNT

- NOTES:
1. MOUNTING HARDWARE SHIPPED WITH FLANGE KIT.
 2. TYPICAL PANEL GAUGE RANGE IS 7 - 16. ANY OTHER PANEL THICKNESS COULD RESULT IN USING DIFFERENT LENGTH M5 X 0.8 MOUNTING SCREWS.

		<small>CONFIDENTIAL AND PROPRIETARY INFORMATION. THIS DOCUMENT CONTAINS CONFIDENTIAL AND PROPRIETARY INFORMATION OF ROCKWELL AUTOMATION, INC. AND MAY NOT BE USED, COPIED OR DISCLOSED TO OTHERS, EXCEPT WITH THE AUTHORIZED WRITTEN PERMISSION OF ROCKWELL AUTOMATION, INC.</small>	
		Sheet 3 Of 3	
DESCRIPTION STANDARD PF750-FRAME-6-FLANGE MOUNT	SIZE D1R D	VER 357129-6	VER 07
DRAWN BY: XTAO1	DATE: 04-08-2014		