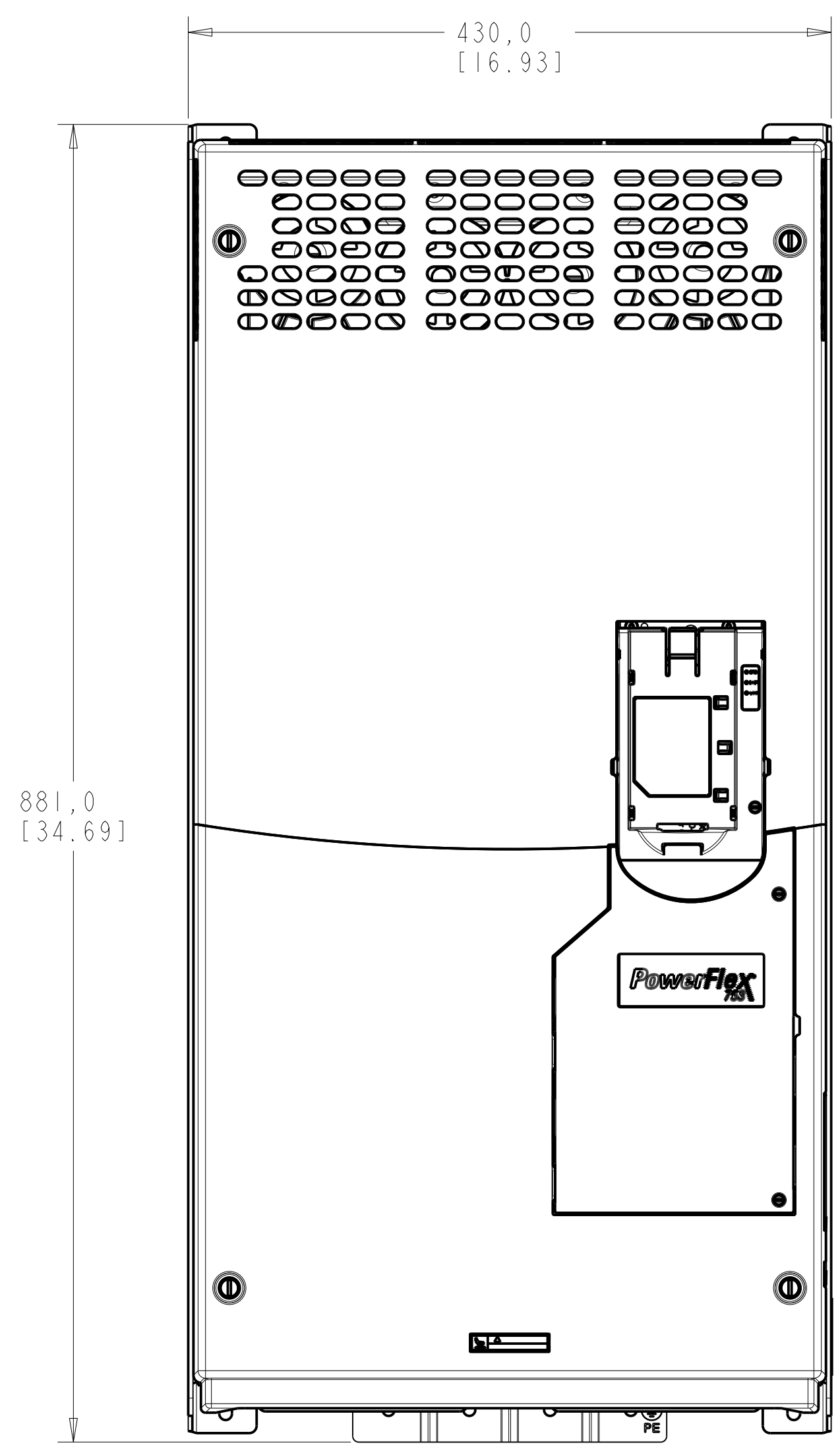
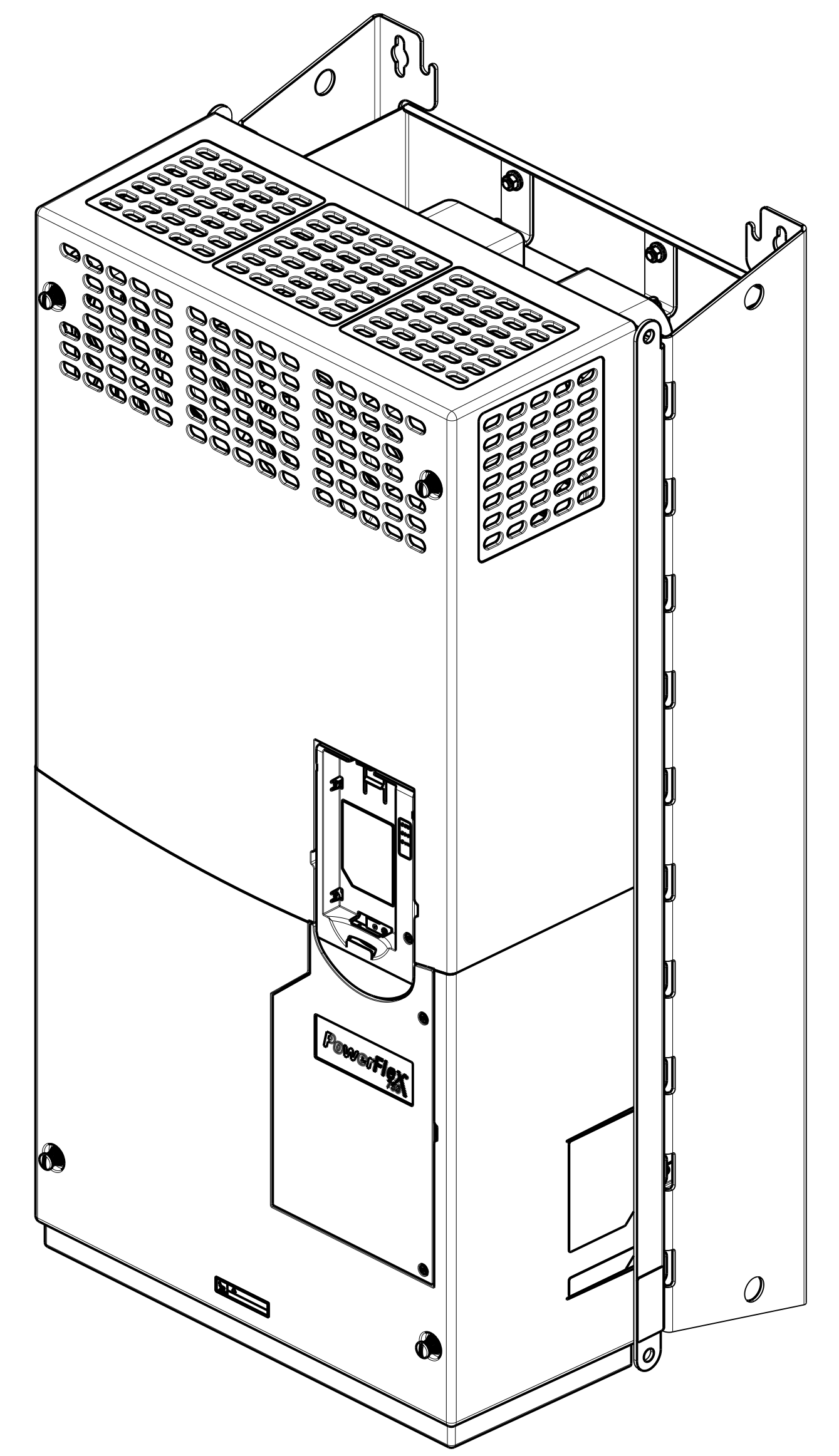
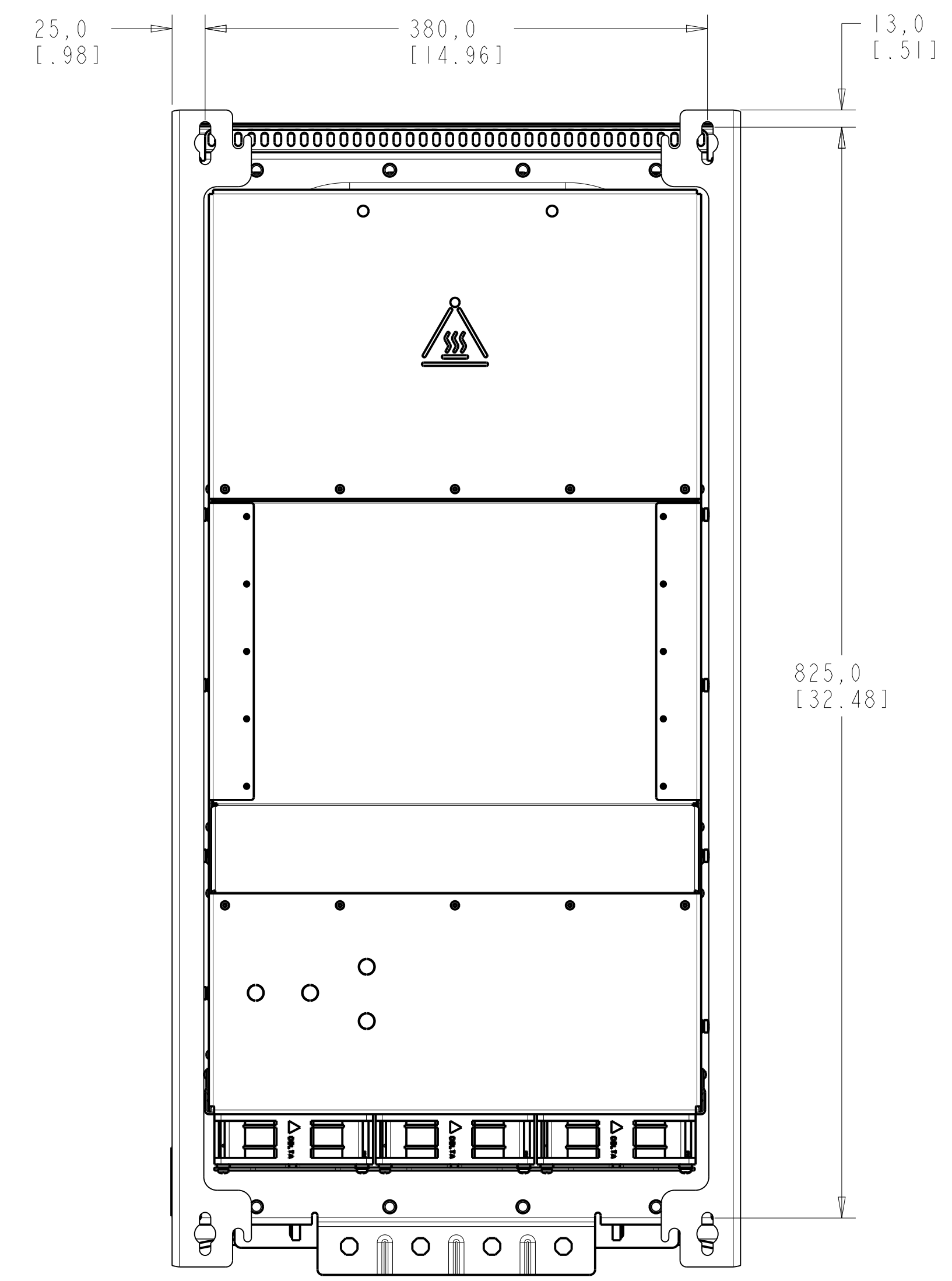
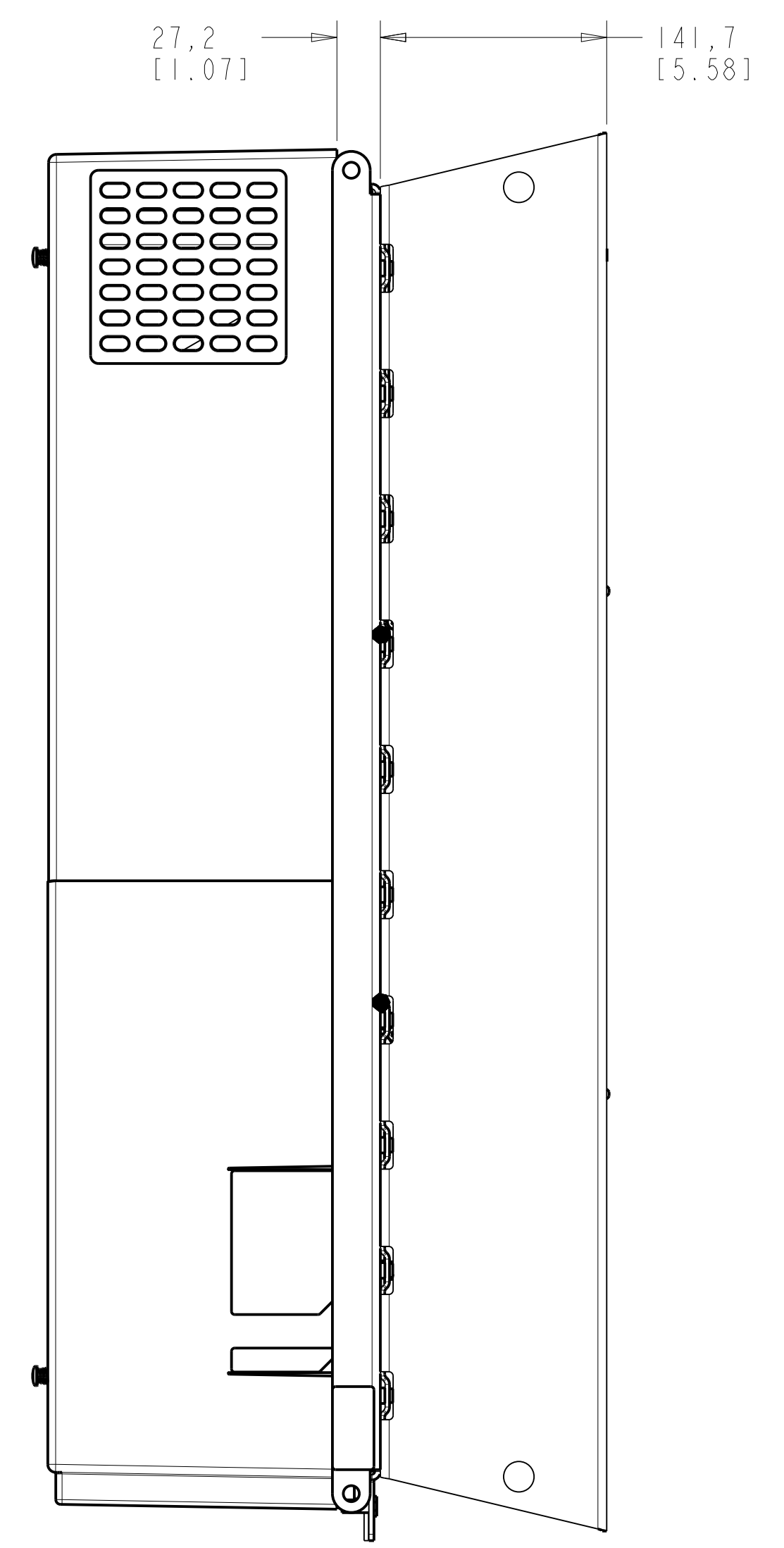


1 2 3 4 5 6 7 8

A  
B  
C  
D  
E  
F  
G  
H



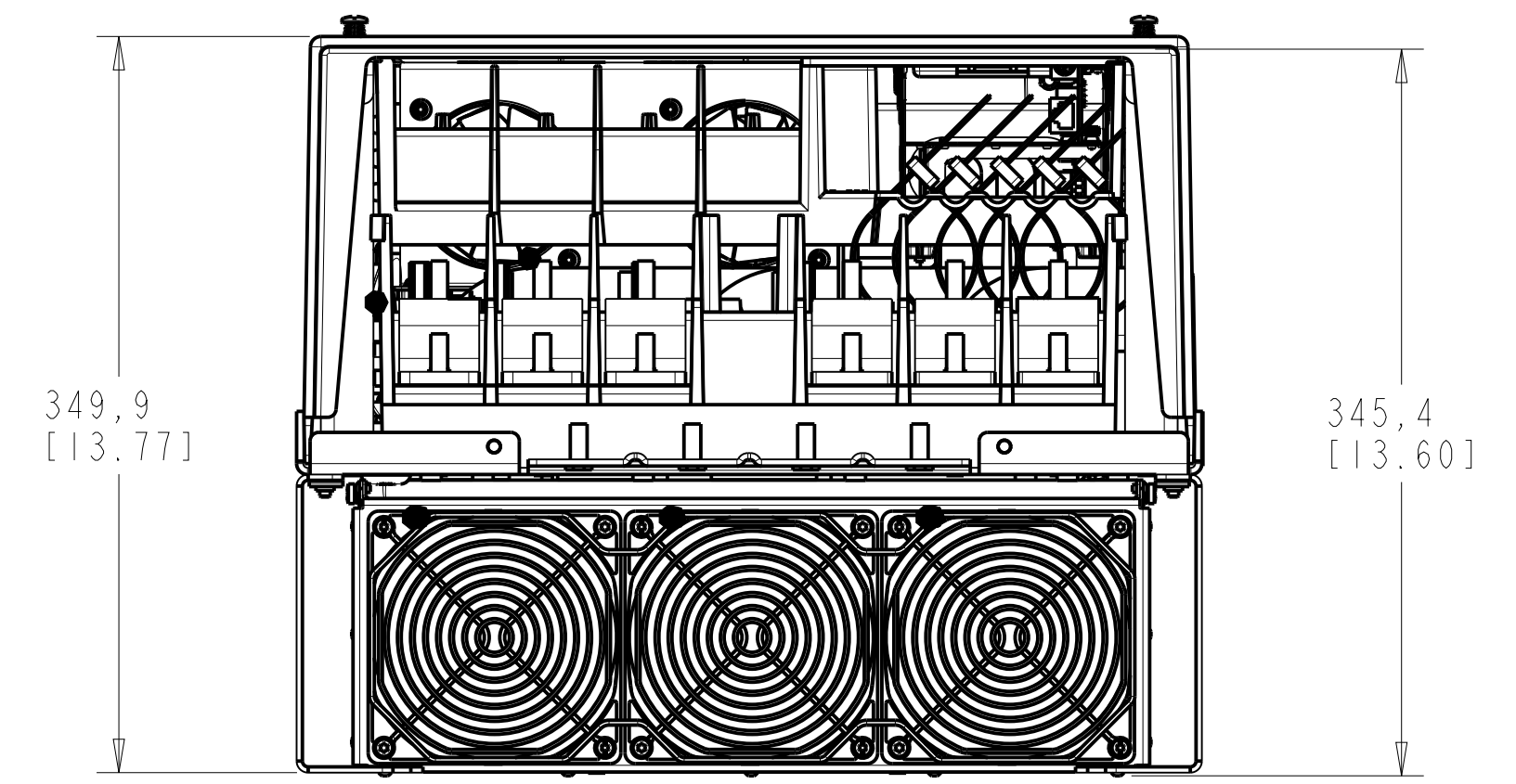
SCALE 0.300



SCALE 0.300

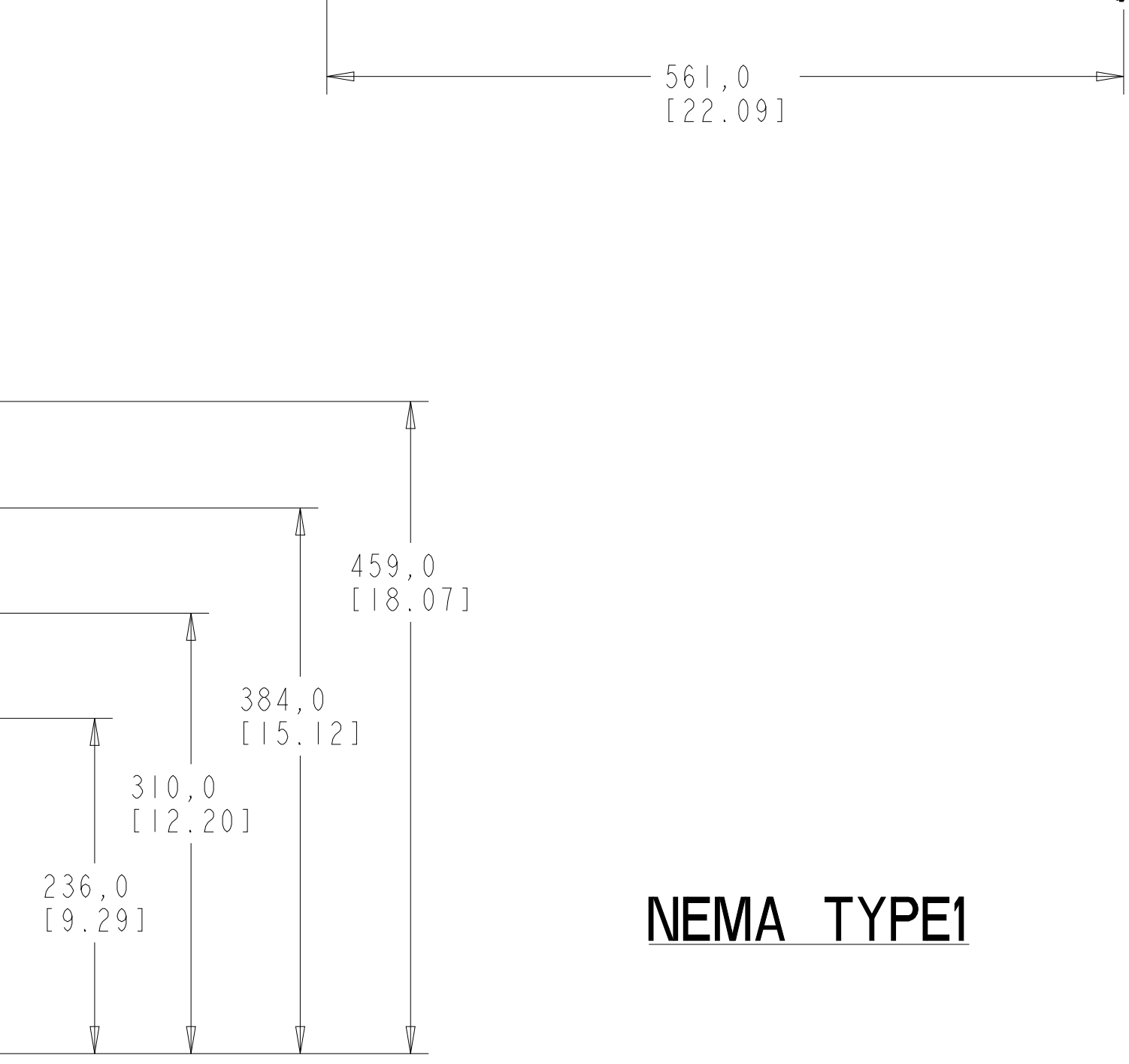
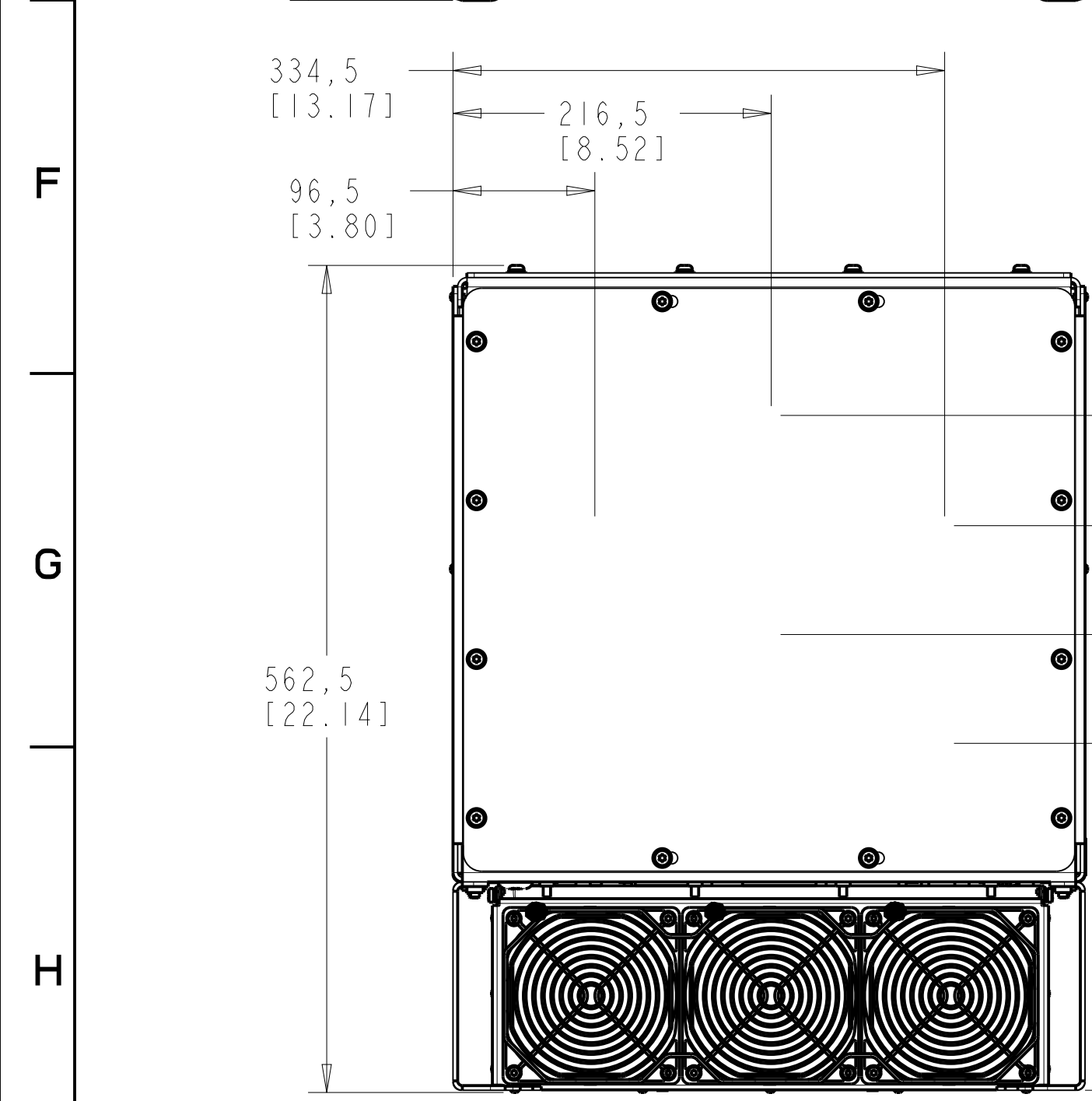
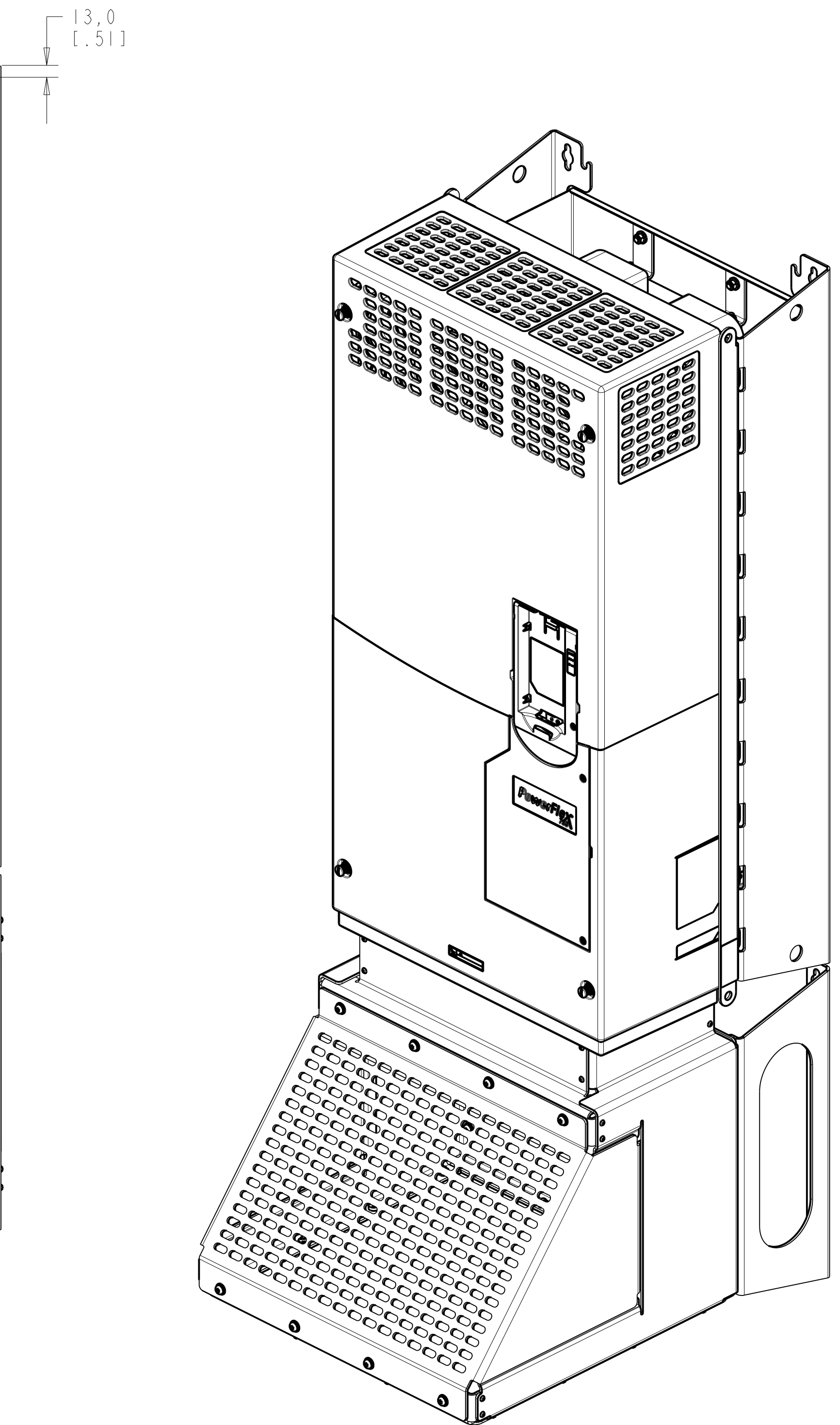
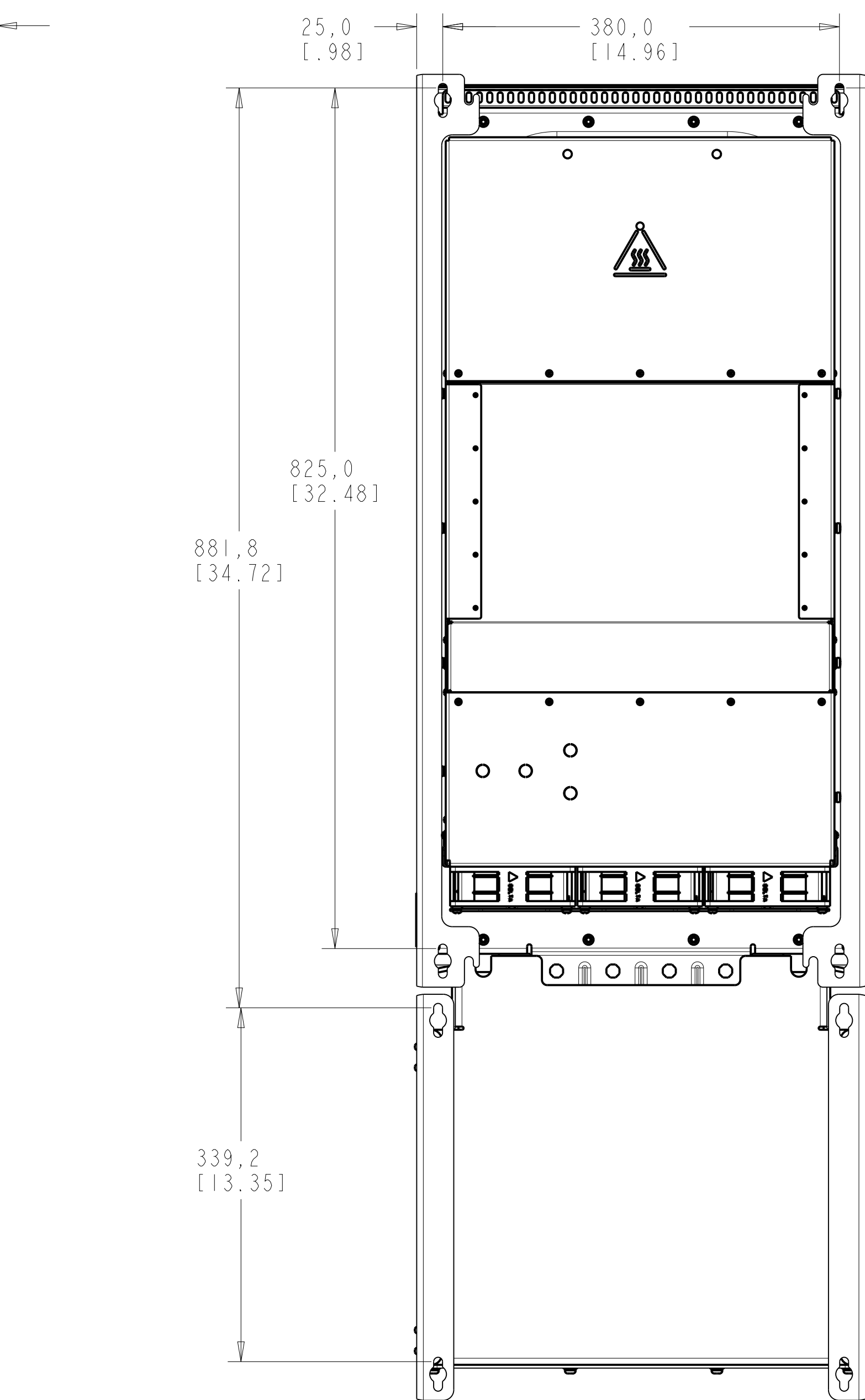
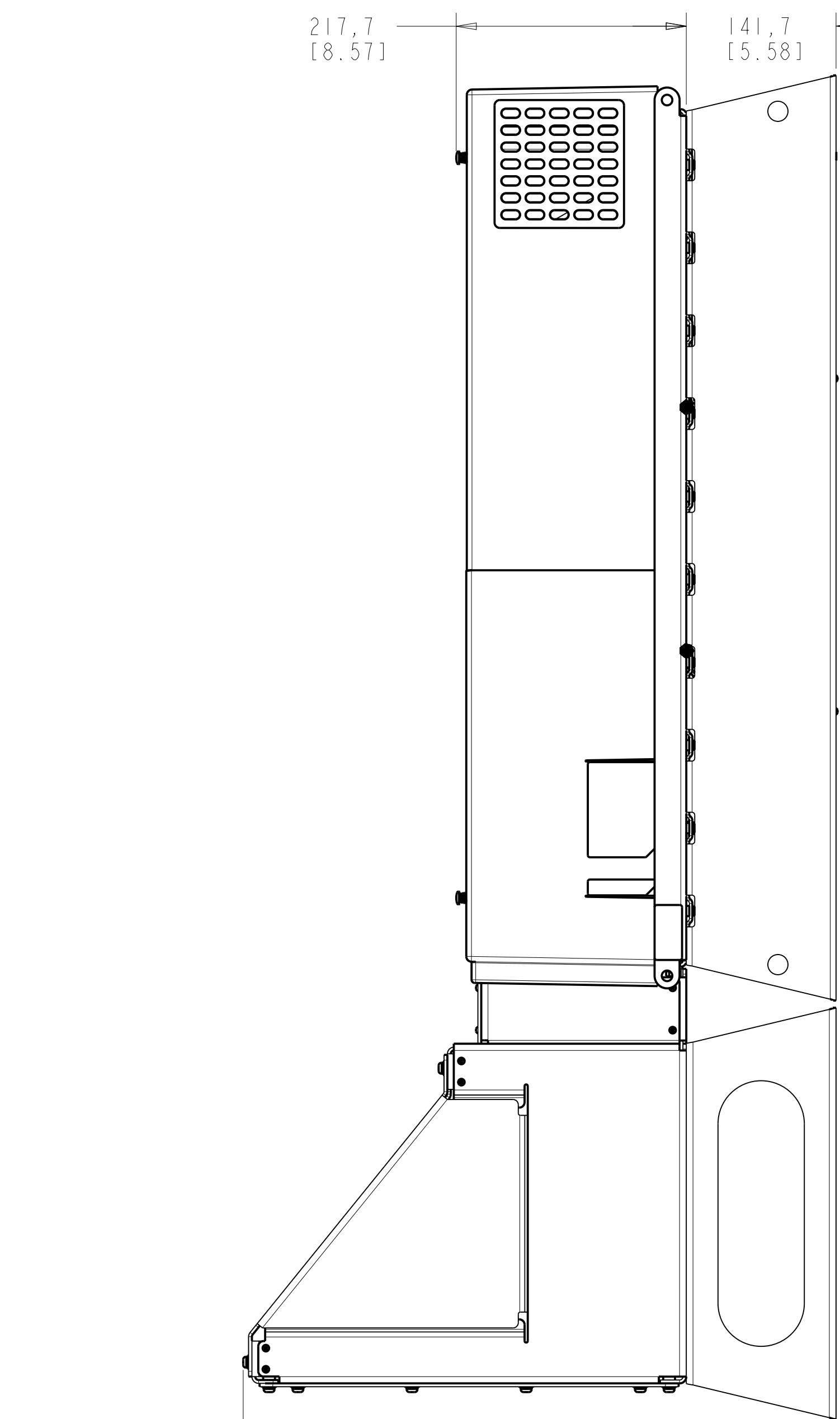
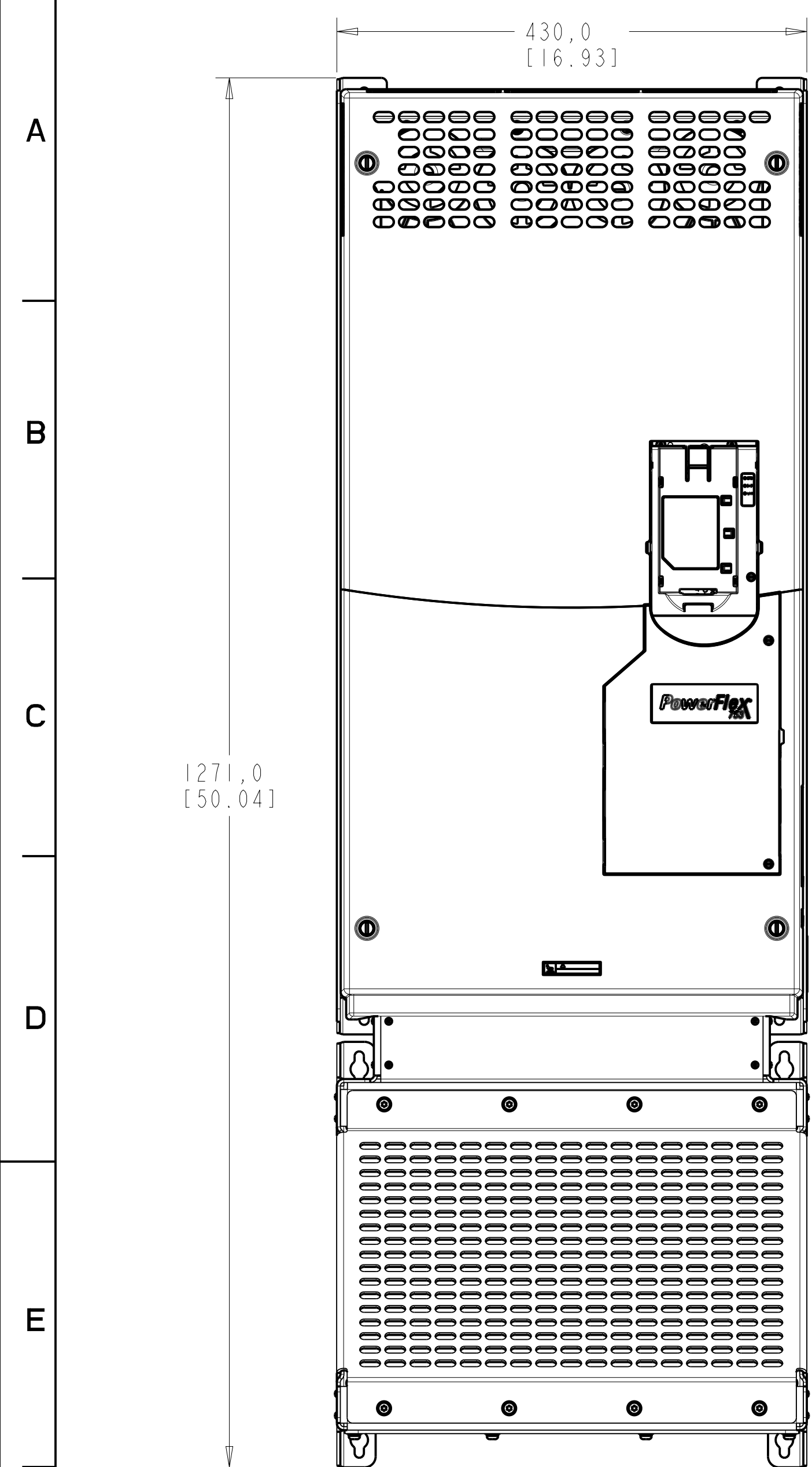
IP00, NEMA TYPE OPEN

IP00, NEMA TYPE OPEN



		<small>CONFIDENTIAL AND PROPRIETARY INFORMATION. THIS DOCUMENT CONTAINS CONFIDENTIAL AND PROPRIETARY INFORMATION OF ROCKWELL AUTOMATION, INC. AND MAY NOT BE USED, COPIED OR DISCLOSED TO OTHERS, EXCEPT WITH THE AUTHORIZED WRITTEN PERMISSION OF ROCKWELL AUTOMATION, INC.</small>	
		Sheet 1 Of 3	
DESCRIPTION STANDARD PF750-FRAME-7-IP00	SIZE D1R D	VER 06	DATE: 04-10-2014
DRAWN BY: XTACI			

1 2 3 4 5 6 7 8



NEMA TYPE1

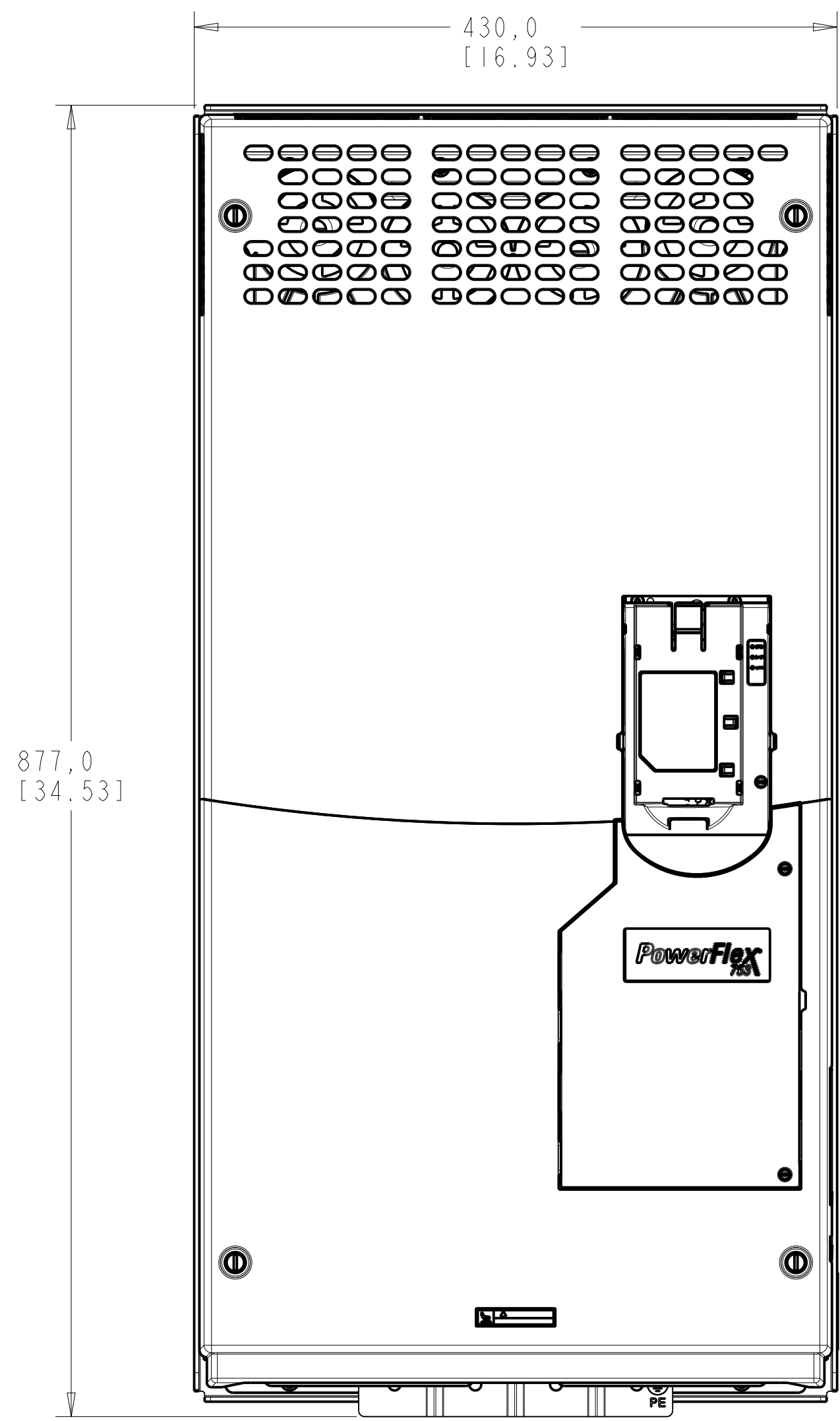
SCALE 0.250

NEMA TYPE1

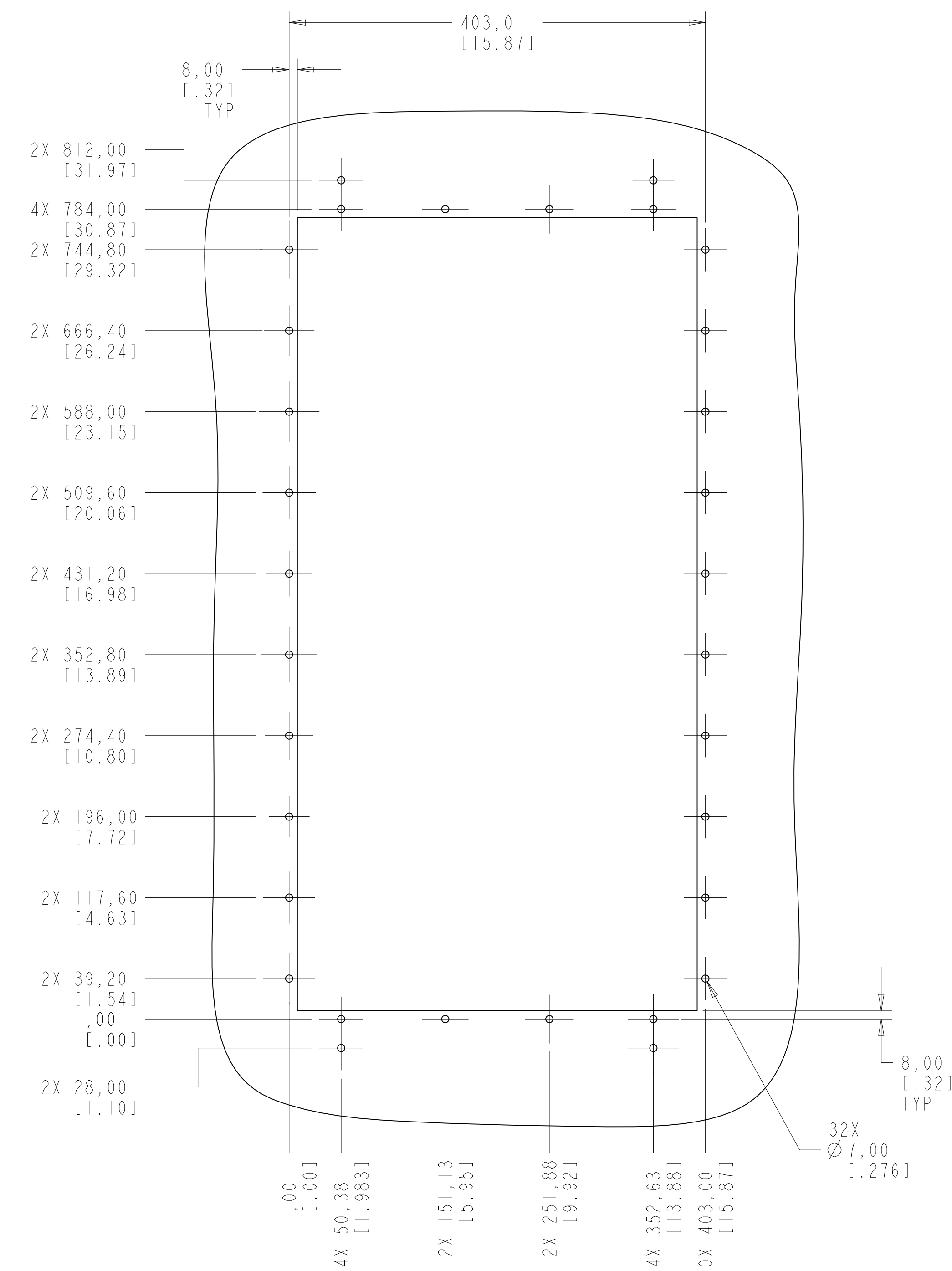
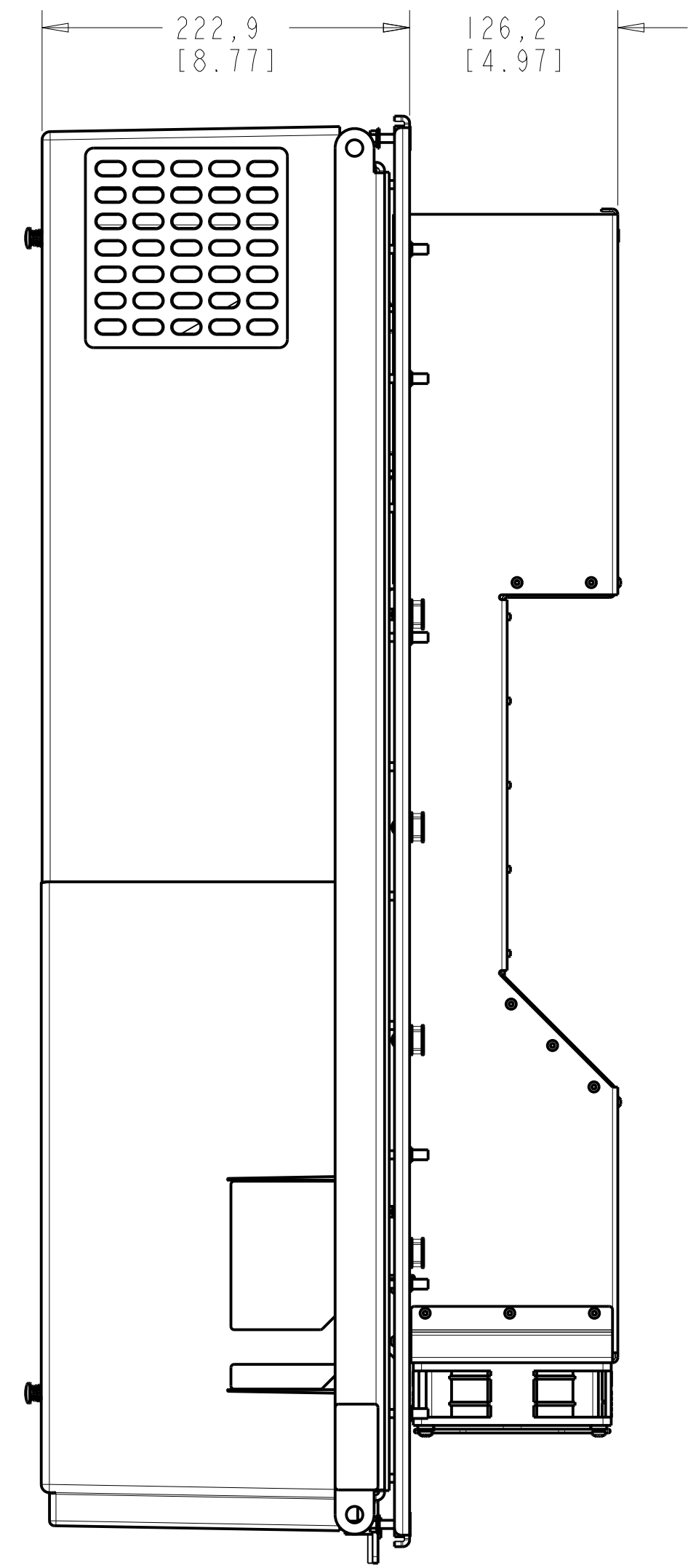
		<small>CONFIDENTIAL AND PROPRIETARY INFORMATION THIS DOCUMENT CONTAINS CONFIDENTIAL AND PROPRIETARY INFORMATION OF ROCKWELL AUTOMATION, INC. AND MAY NOT BE USED, COPIED OR DISCLOSED TO OTHERS, EXCEPT WITH THE AUTHORIZED WRITTEN PERMISSION OF ROCKWELL AUTOMATION, INC.</small>	
		Sheet 2 Of 3	
STANDARD PF750-FRAME-7-TYPE1	DESCRIPTION	D	VER
DRAWN BY: XTACI	DATE: 04-10-2014	357130-6	06

1 2 3 4 5 6 7 8

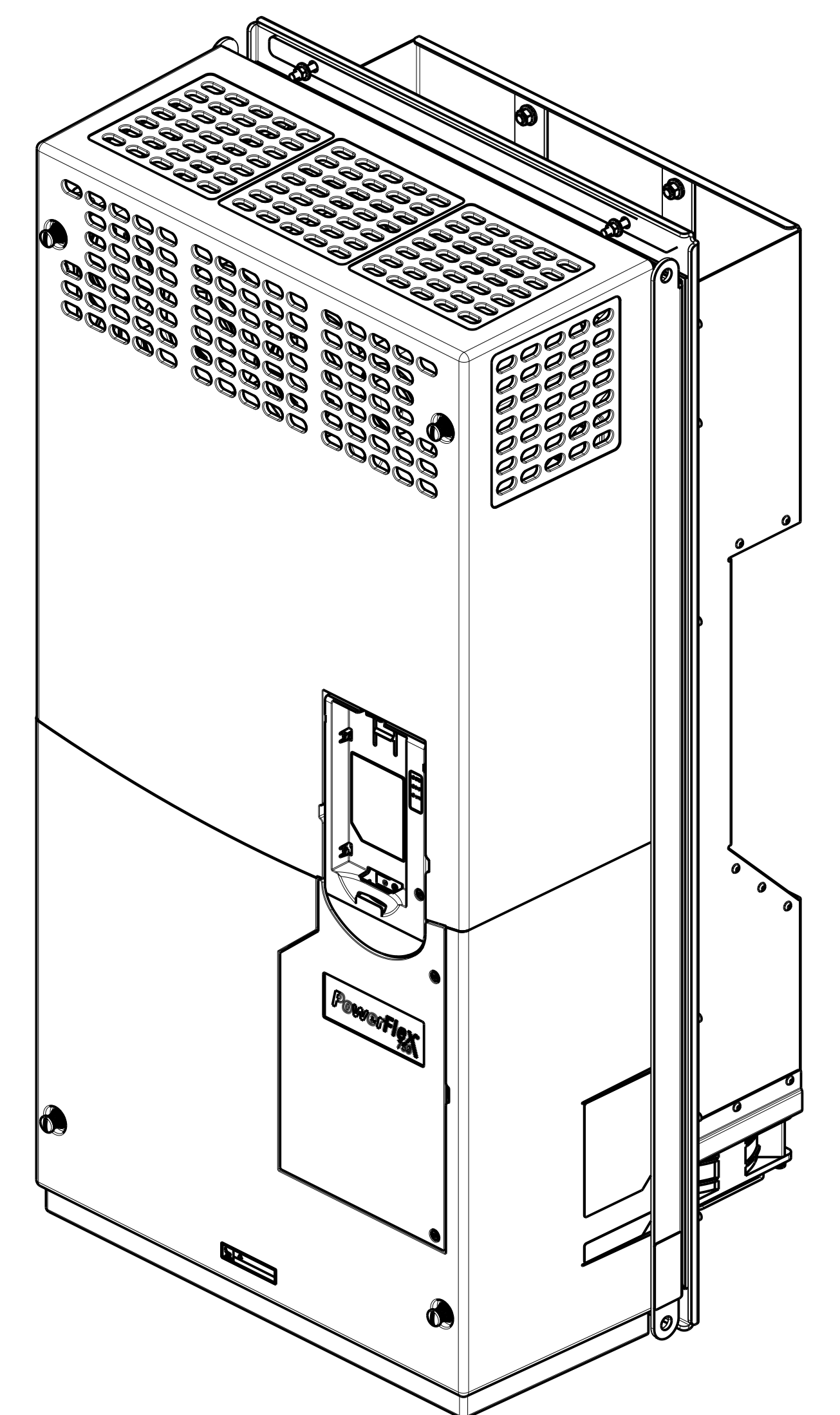
A  
B  
C  
D  
E  
F  
G  
H



SCALE 0.300

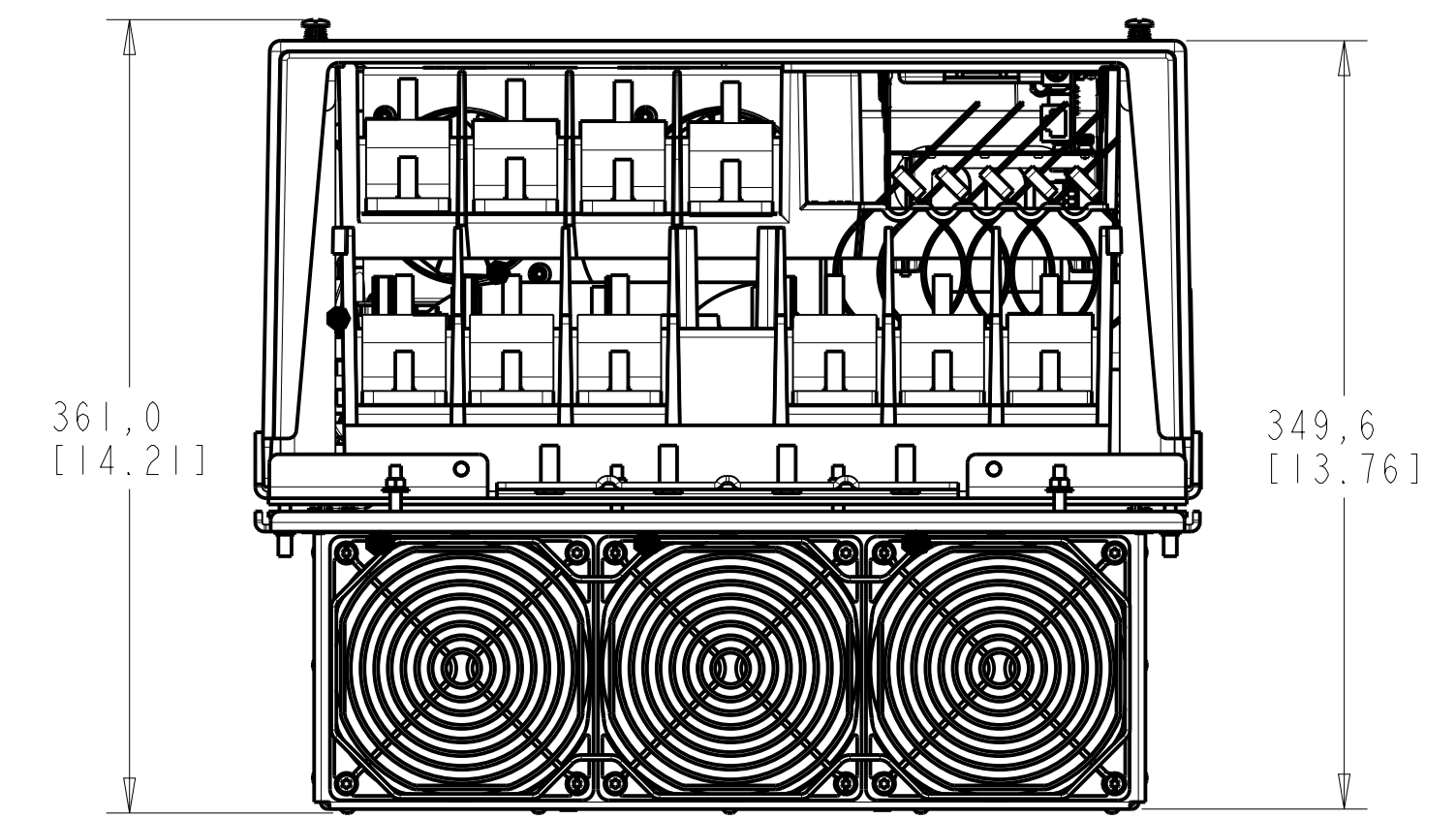


FLANGE MOUNT DRIVE  
PANEL CUTOUT  
SCALE 0.300



SCALE 0.300

TYPE 4X/IP66 FLANGE MOUNT



TYPE 4X/IP66 FLANGE MOUNT

		<small>CONFIDENTIAL AND PROPRIETARY INFORMATION THIS DOCUMENT CONTAINS CONFIDENTIAL AND PROPRIETARY INFORMATION OF ROCKWELL AUTOMATION, INC. AND MAY NOT BE USED, COPIED OR DISCLOSED TO OTHERS, EXCEPT WITH THE AUTHORIZED WRITTEN PERMISSION OF ROCKWELL AUTOMATION, INC.</small>	
		Sheet 3 Of 3	
DESCRIPTION <b>STANDARD PF750-FRAME-7-FLANGE MOUNT</b>	SIZE D1R <b>D</b>	VER <b>357130-6</b>	VER <b>06</b>
DRAWN BY: XTACI	DATE: 04-10-2014		