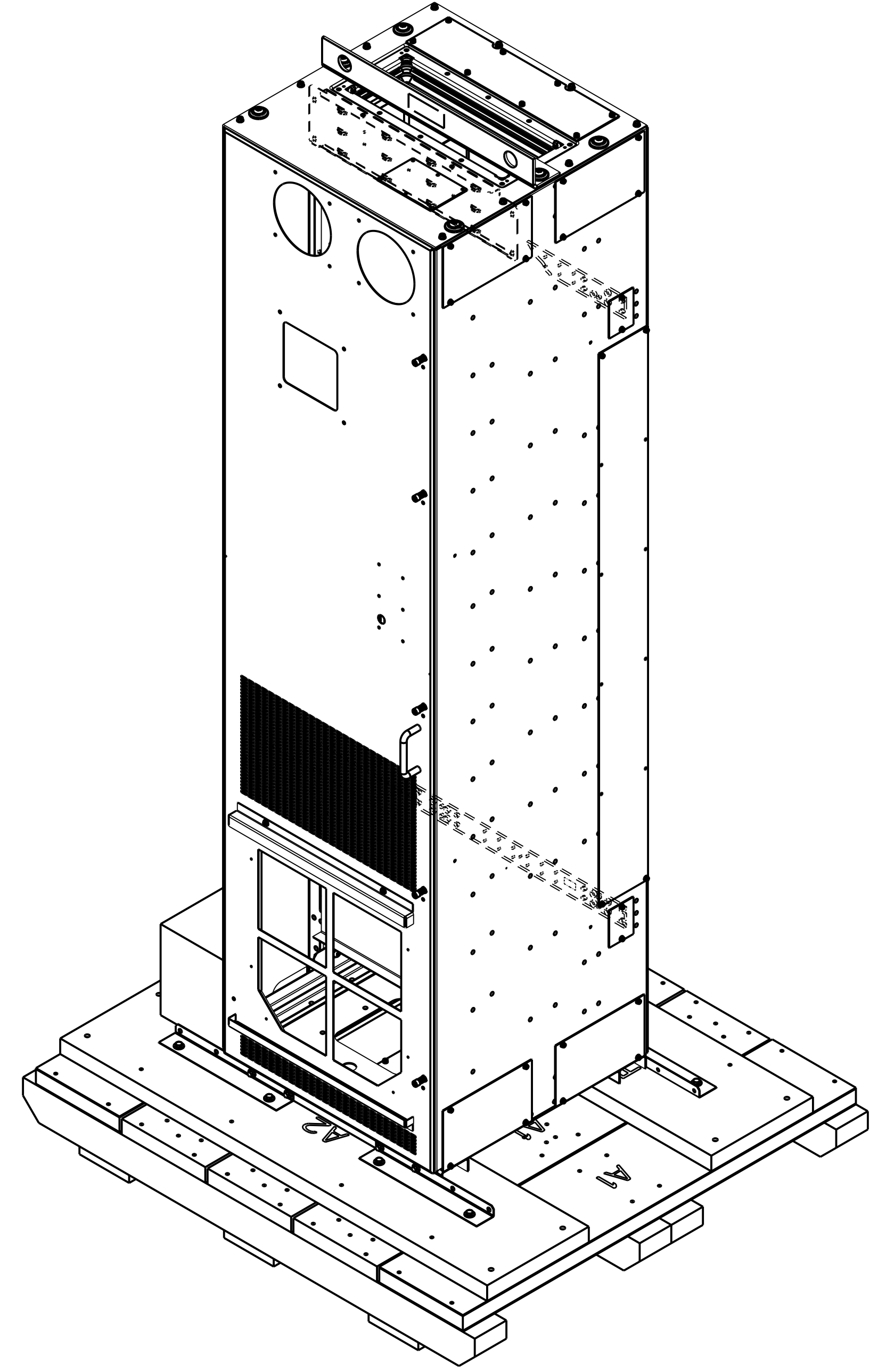
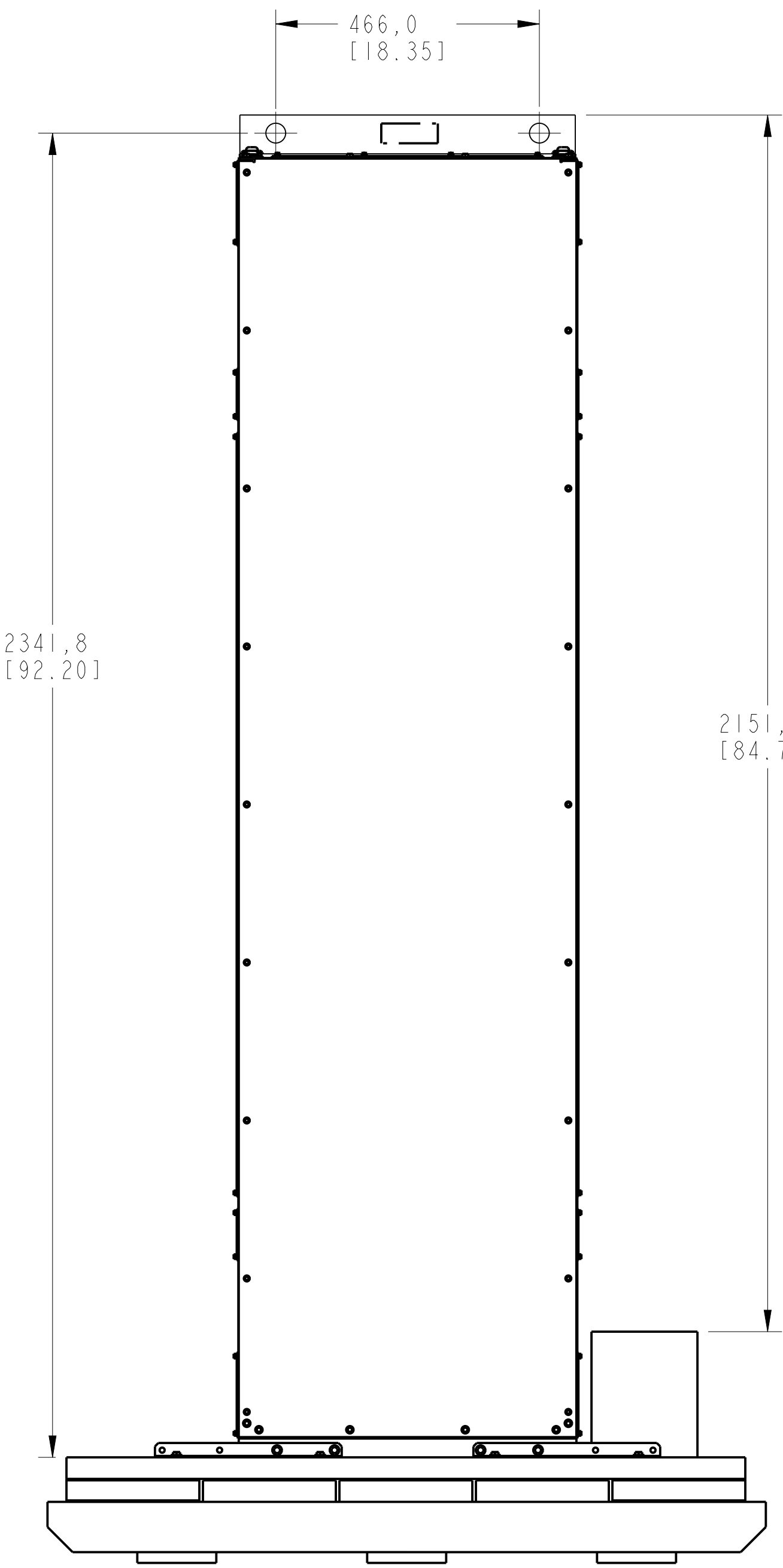
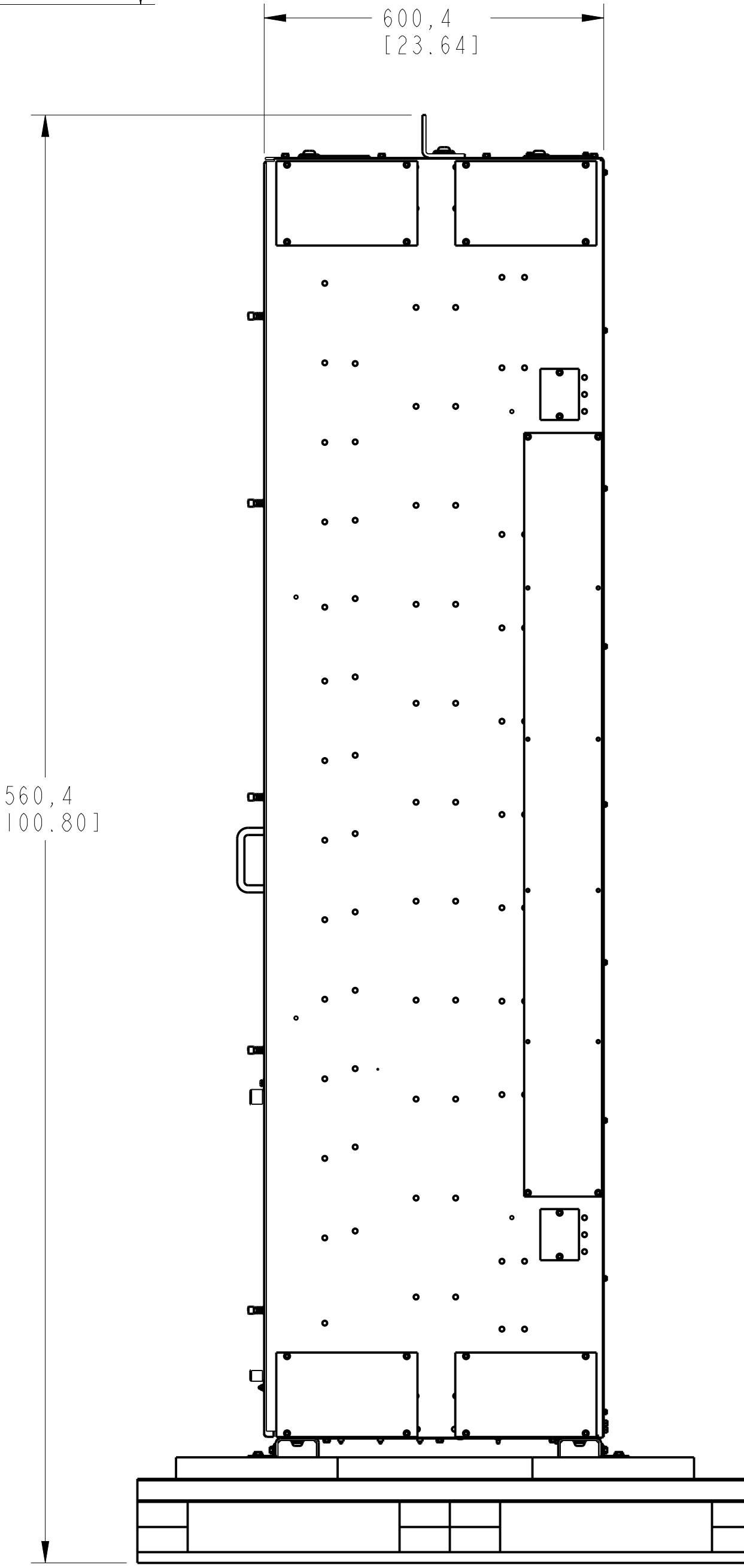
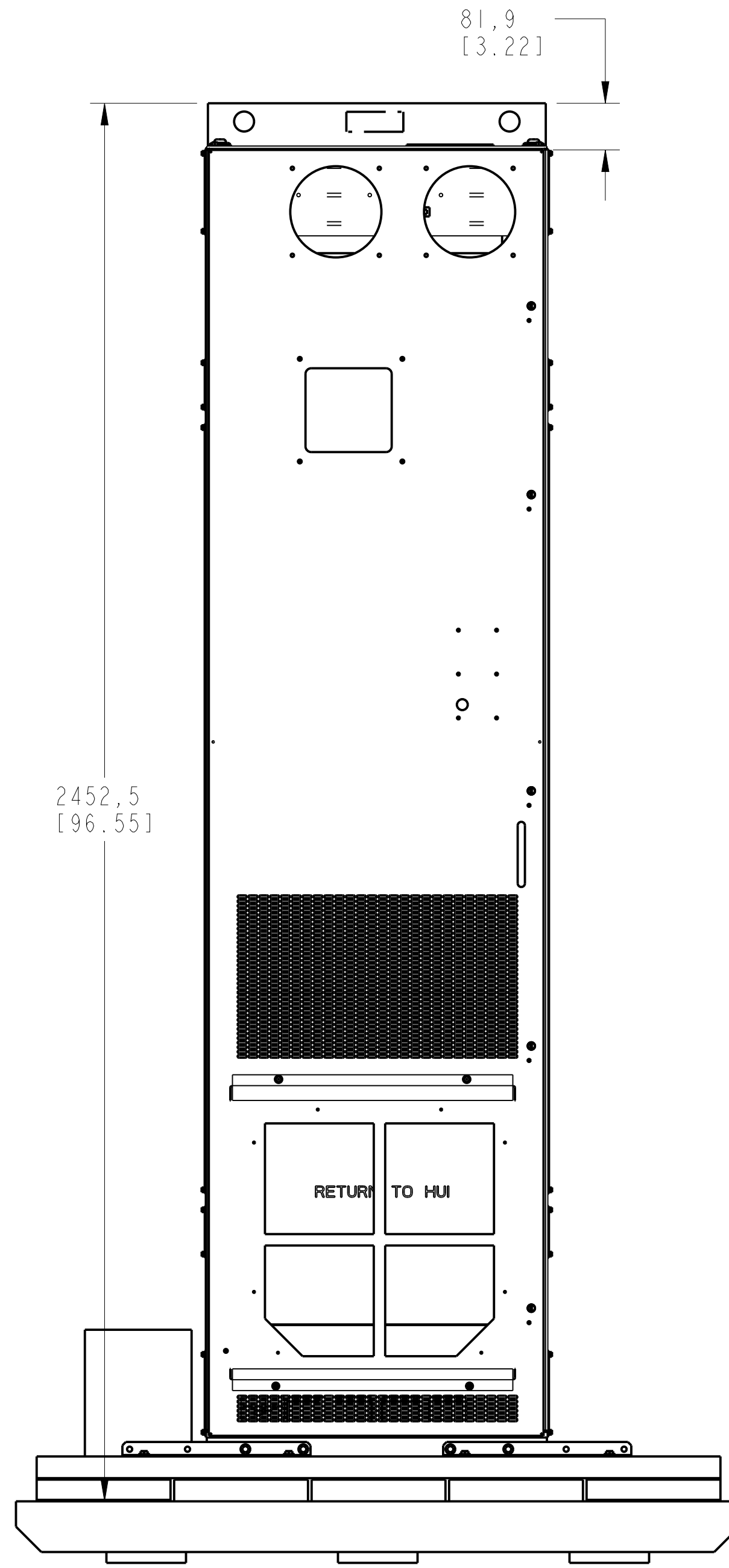
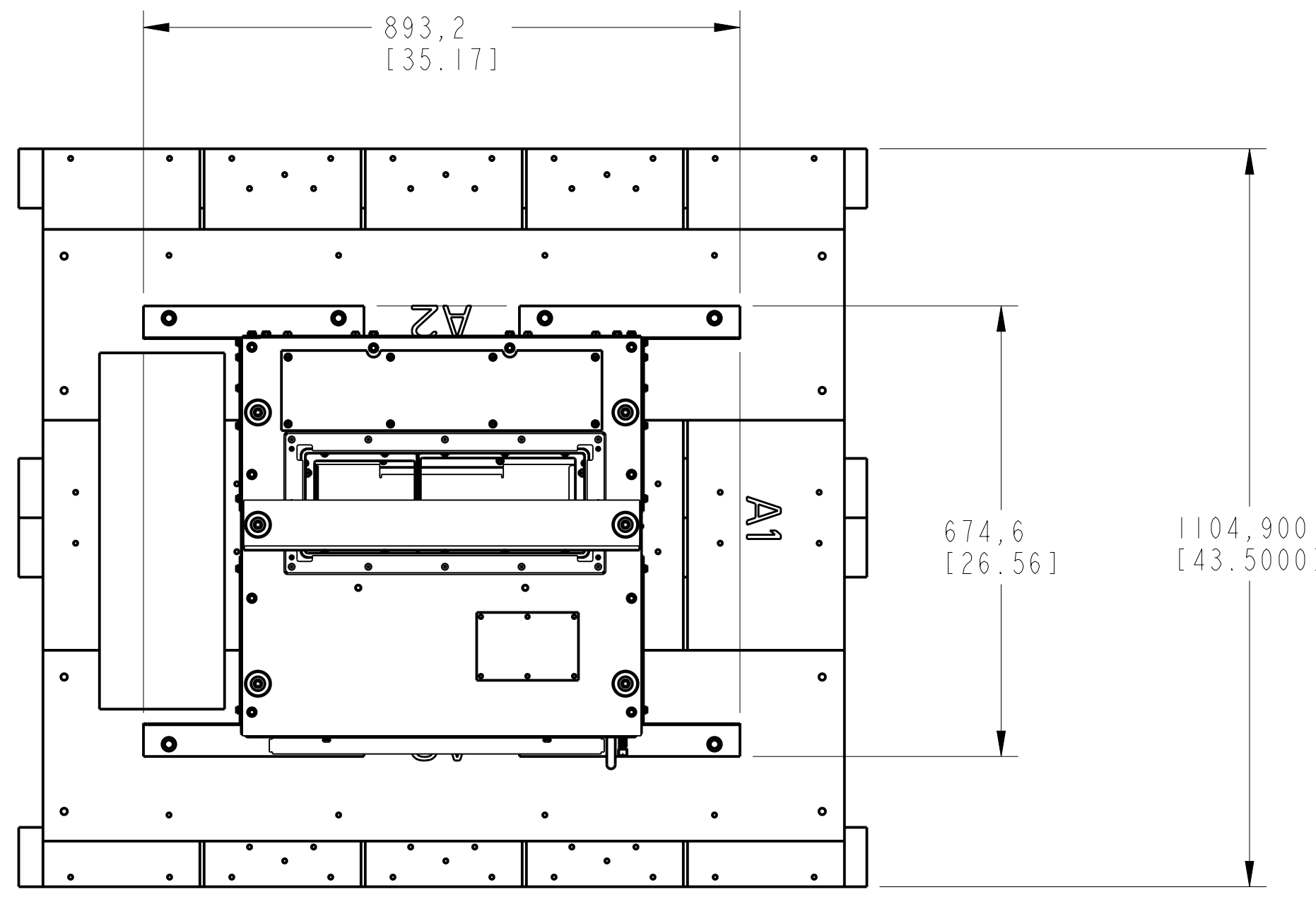


CLASSIFICATION TABLE

P=PERFORMANCE, F=FIT, A=ASSEMBLY (USE ONLY WITH Ø SYMBOL)
 X=IDENTIFIES APPLICABLE CLASSIFICATION(S)
 Ø=REQUIRED BY ENGINEERING AND/OR MANUFACTURING
 ⊕=STRICT CONFORMANCE TO SPECIFICATION REQUIRED AND IS NOT NEGOTIABLE (MAY BE REQUIRED BY REGULATORY AGENCY)

CHARACTERISTIC -OR- DIMENSION	COMMENT	DRAWING LOCATION (ZONE)	P	F	A	R



FULLY FABRICATED FRAME 8 DRIVE CABINET 600 DEEP
 PN-392923

DIMENSIONS APPLY BEFORE SURFACE TREATMENT
 DIMENSIONS IN MILLIMETERS
 TOLERANCES UNLESS OTHERWISE SPECIFIED

X: ±	0.8 [0.31]
.XX: ±	0.50 [0.020]
ANG: ±	1°

Rockwell Automation

STANDARD PF750-FRAME-8-AC-600MM-IP20

Drawn by: RSUBRAMI Date: APR-28-2017

CONFIDENTIAL AND PROPRIETARY INFORMATION
 THIS DOCUMENT CONTAINS CONFIDENTIAL AND PROPRIETARY INFORMATION OF ROCKWELL AUTOMATION, INC. AND MAY NOT BE USED, COPIED OR DISCLOSED TO OTHERS, EXCEPT WITH THE AUTHORIZED WRITTEN PERMISSION OF ROCKWELL AUTOMATION, INC.

Sheet 1 Of 14	Ver
1000021813	08

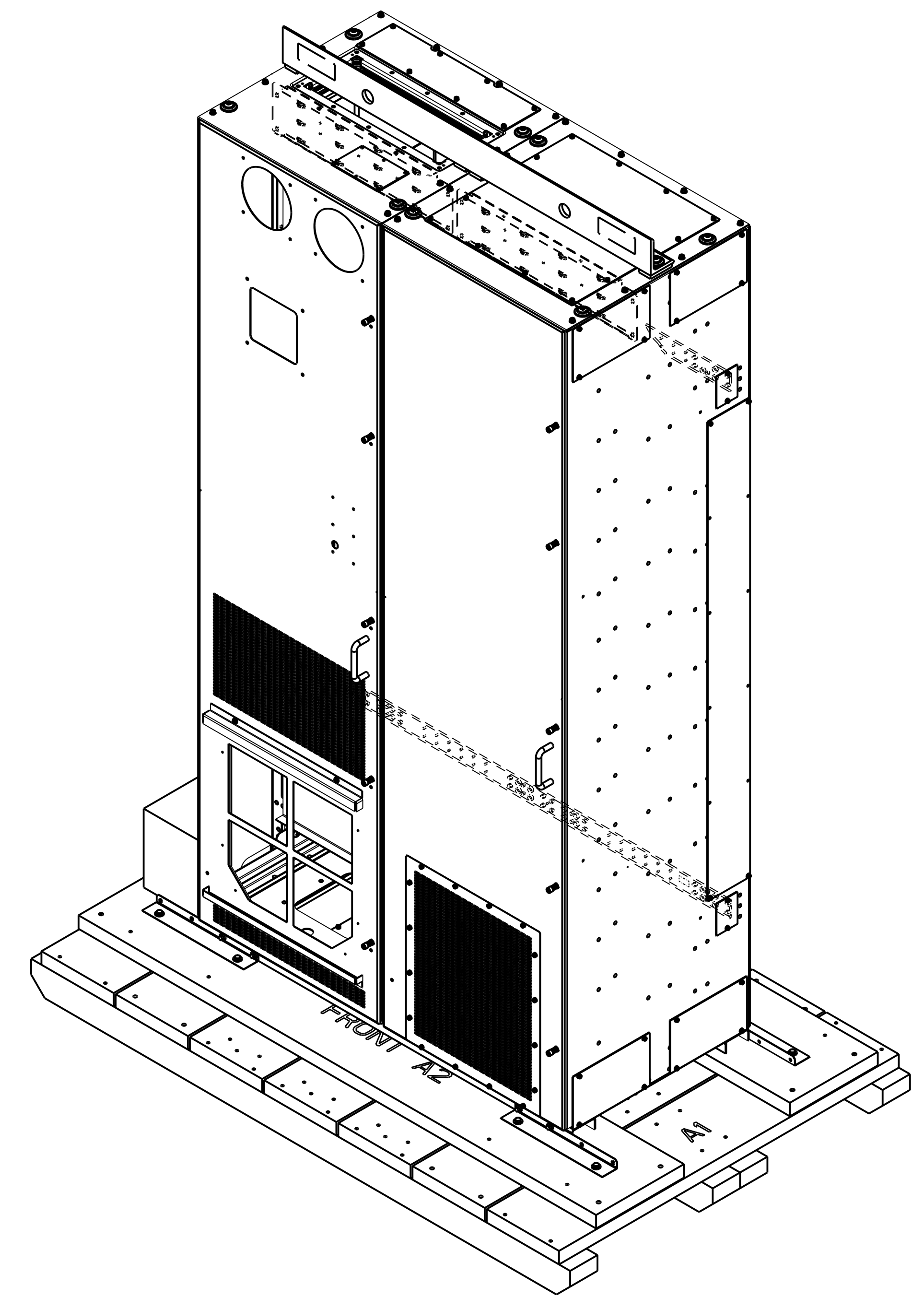
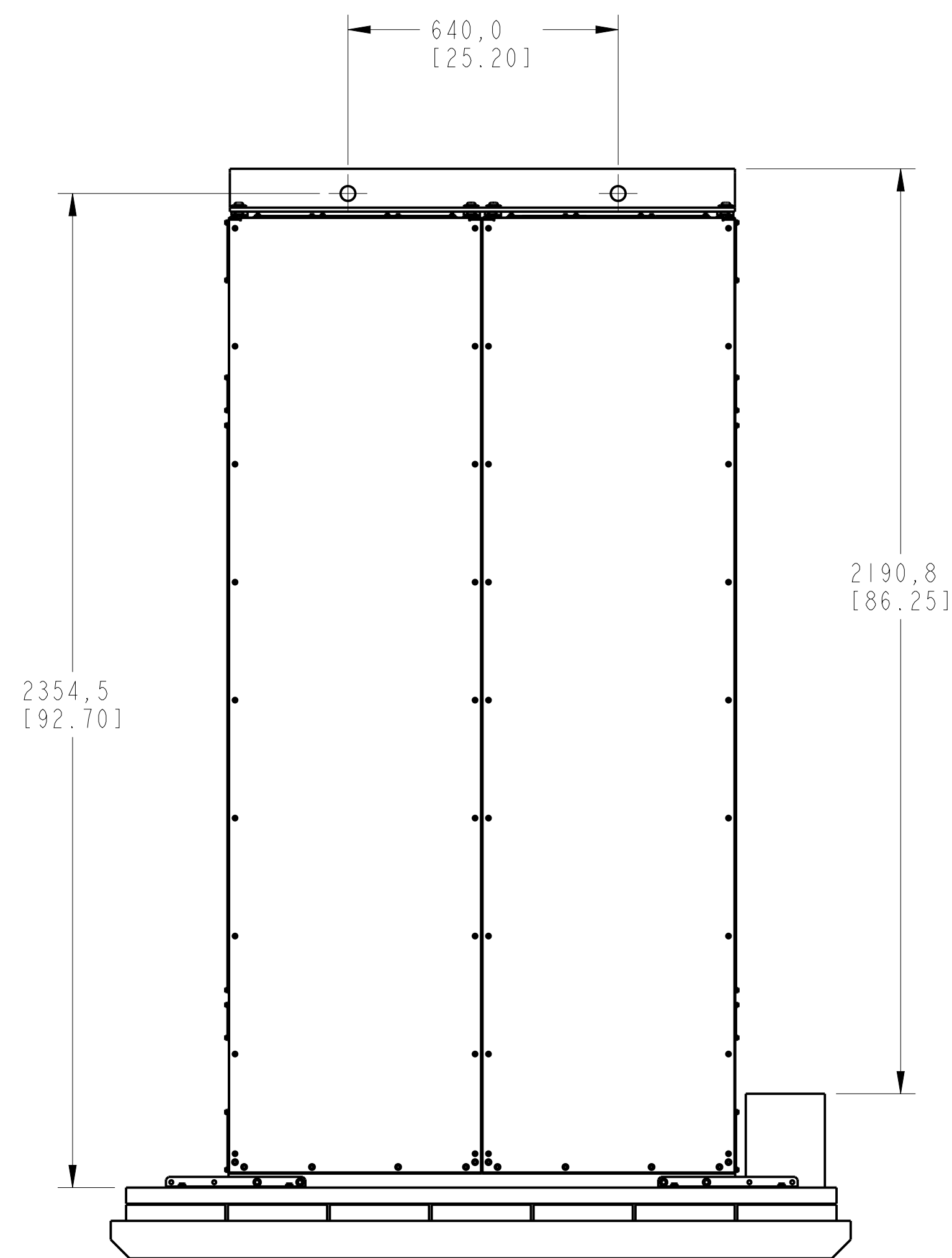
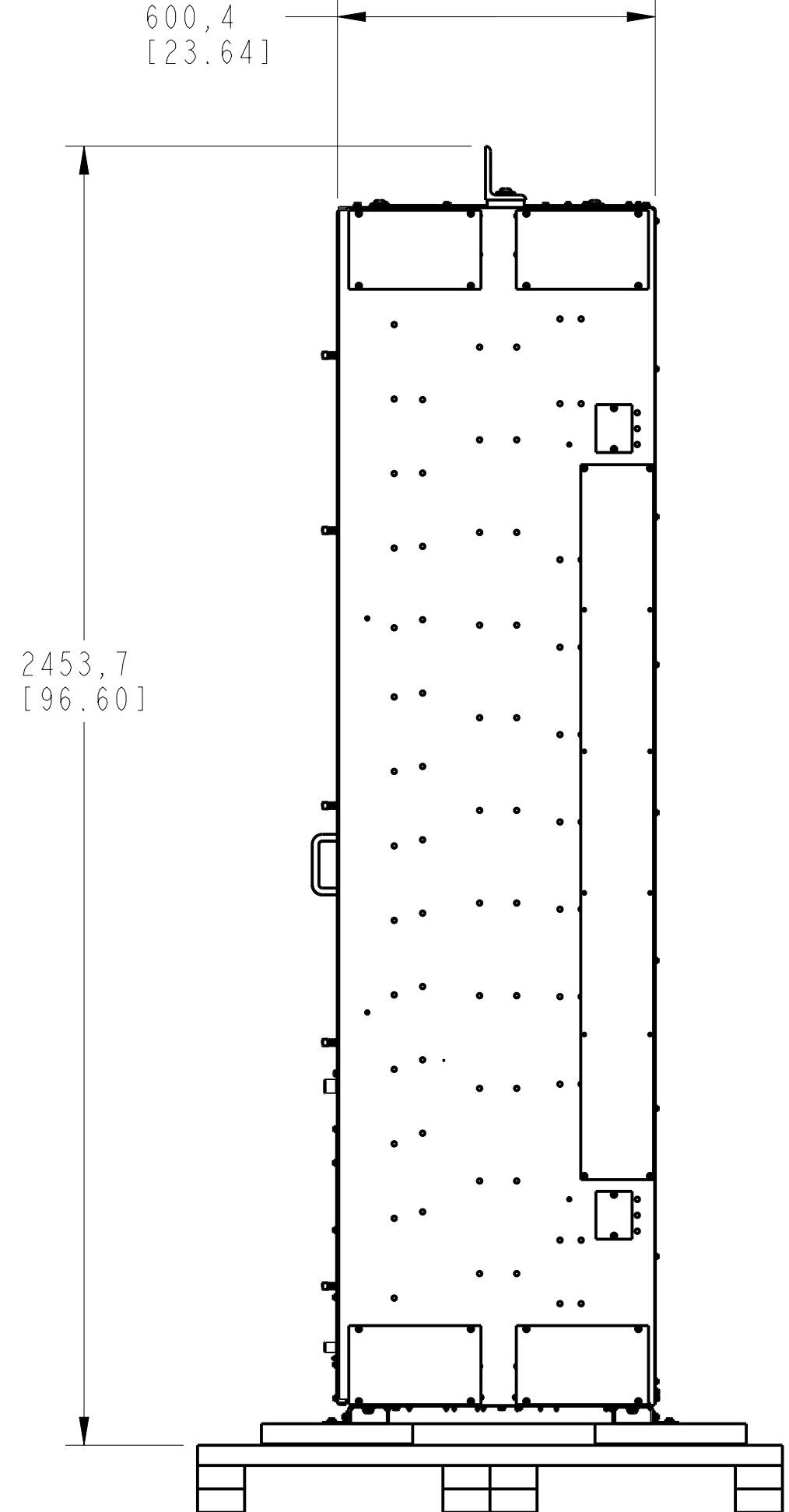
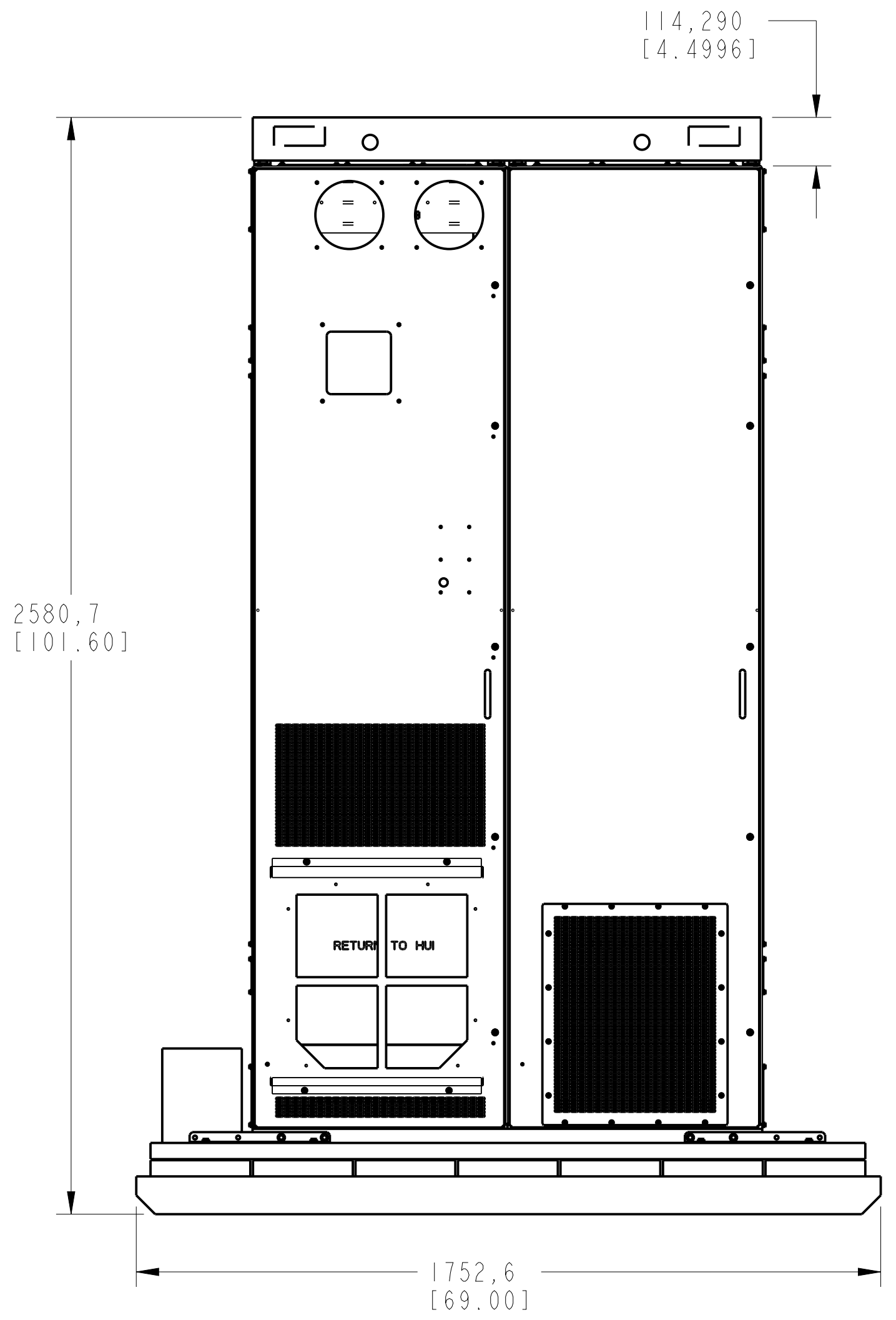
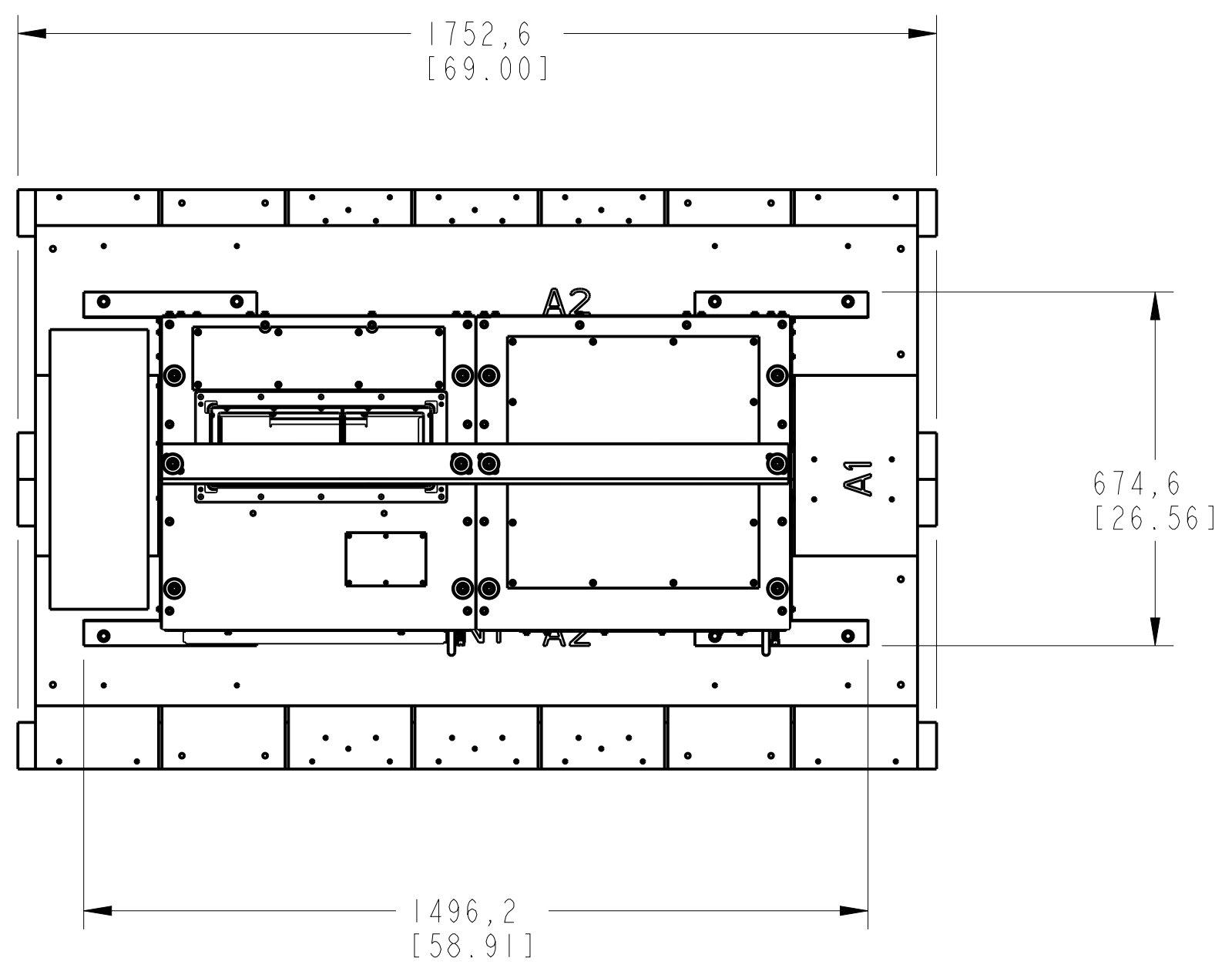
1 2 3 4 5 6 7 8

CLASSIFICATION TABLE

P=PERFORMANCE, F=FIT, A=ASSEMBLY (USE ONLY WITH Ø SYMBOL)
 X=IDENTIFIES APPLICABLE CLASSIFICATION(S)
 Ø=REQUIRED BY ENGINEERING AND/OR MANUFACTURING
 ⊕=STRICT CONFORMANCE TO SPECIFICATION REQUIRED AND IS NOT NEGOTIABLE (MAY BE REQUIRED BY REGULATORY AGENCY)

CHARACTERISTIC -OR- DIMENSION	COMMENT	DRAWING LOCATION (ZONE)	P	F	A	R

A
B
C
D
E
F
G
H



FULLY FABRICATED FRAME 8 DRIVE CABINET W/ WIRING BAY 600 DEEP
 PN-392936

DIMENSIONS APPLY BEFORE SURFACE TREATMENT
 DIMENSIONS IN MILLIMETERS
 TOLERANCES UNLESS OTHERWISE SPECIFIED

.X: ±	0,8 [0.31]
.XX: ±	0,50 [0.020]
ANG: ±	1°

Rockwell Automation

STANDARD PF750-FRAME-8-AC-600mm
 WITH WIRING BAY-IP20

Drawn by: RSUBRAMI Date: 01-20-2017

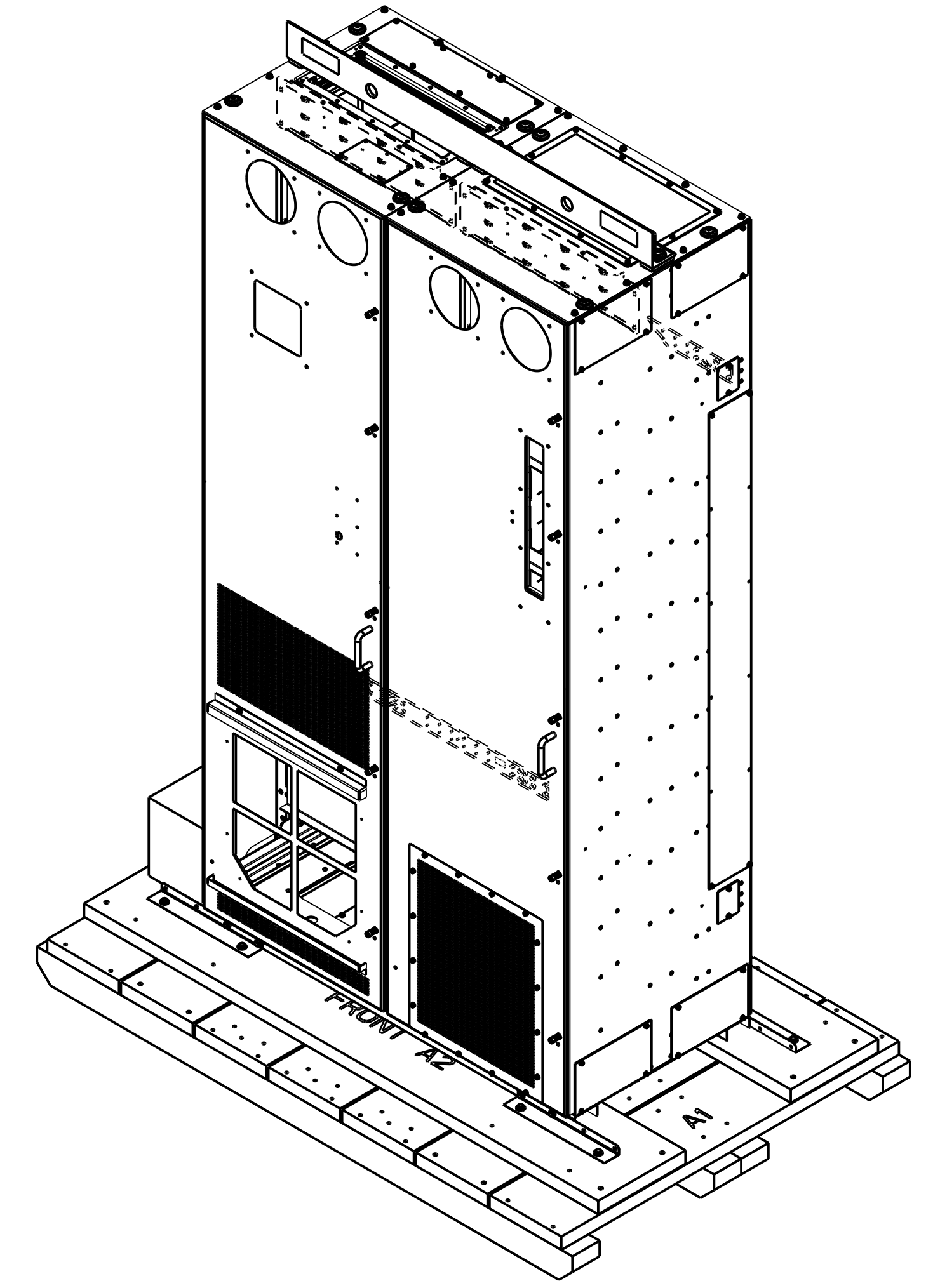
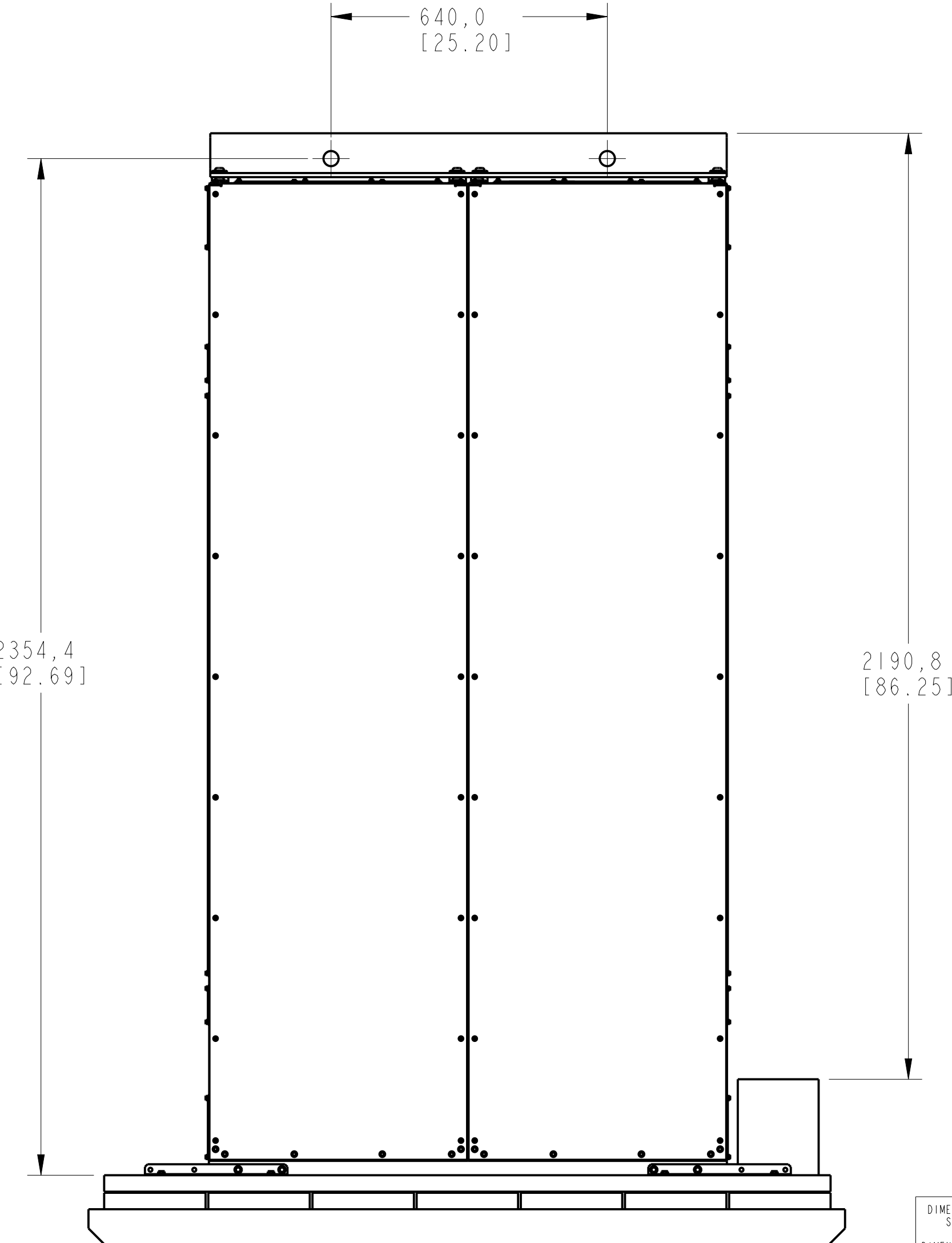
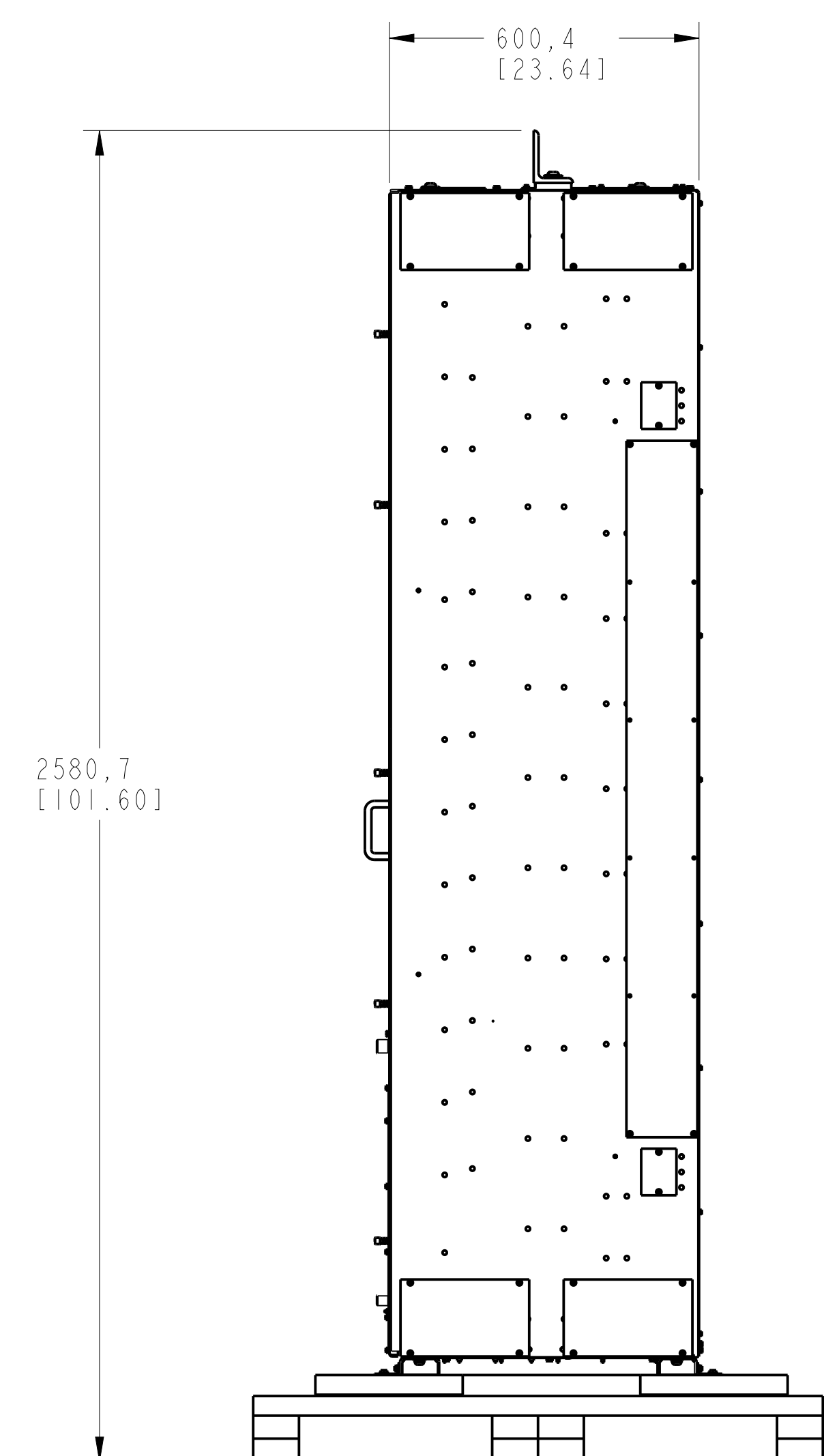
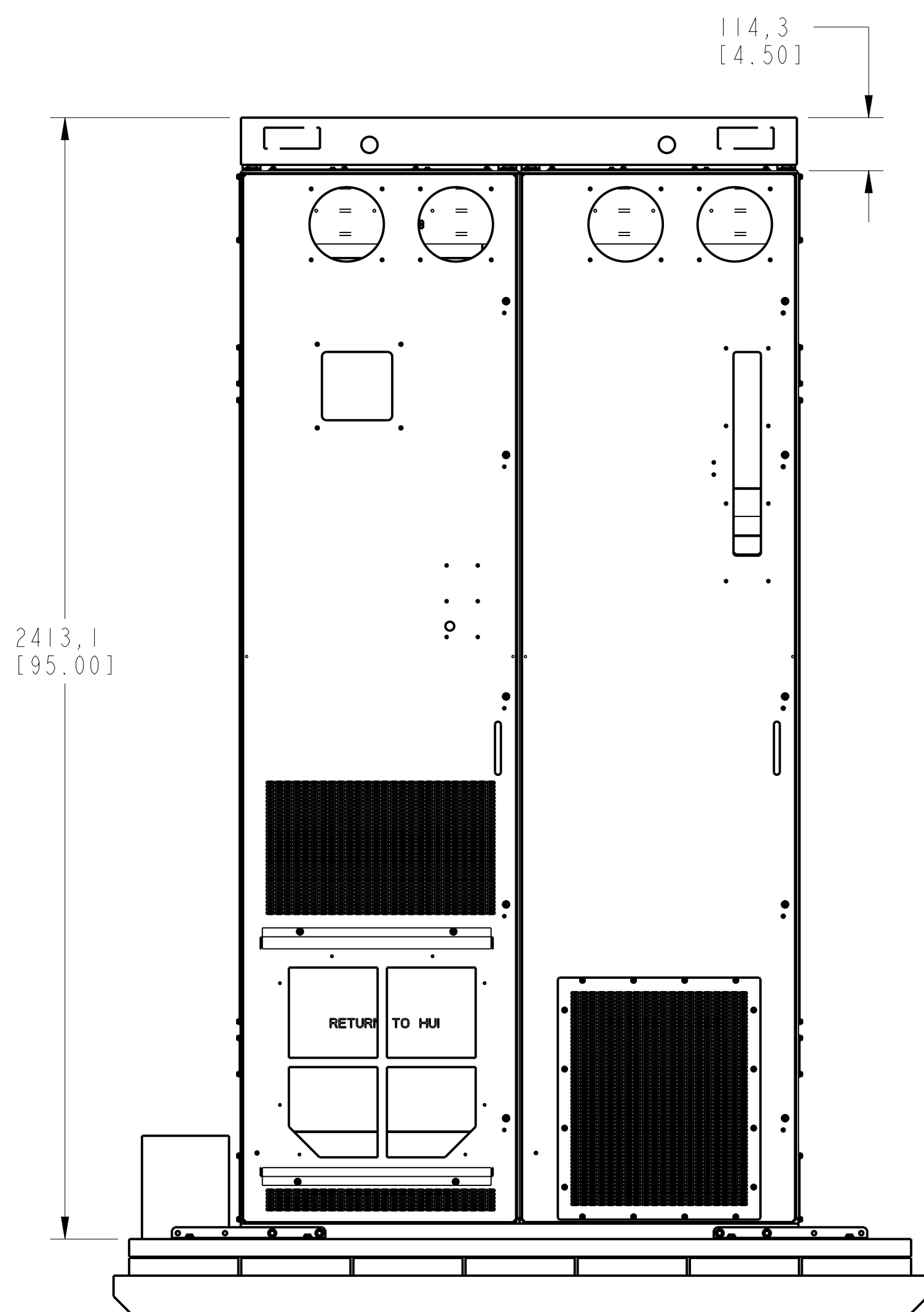
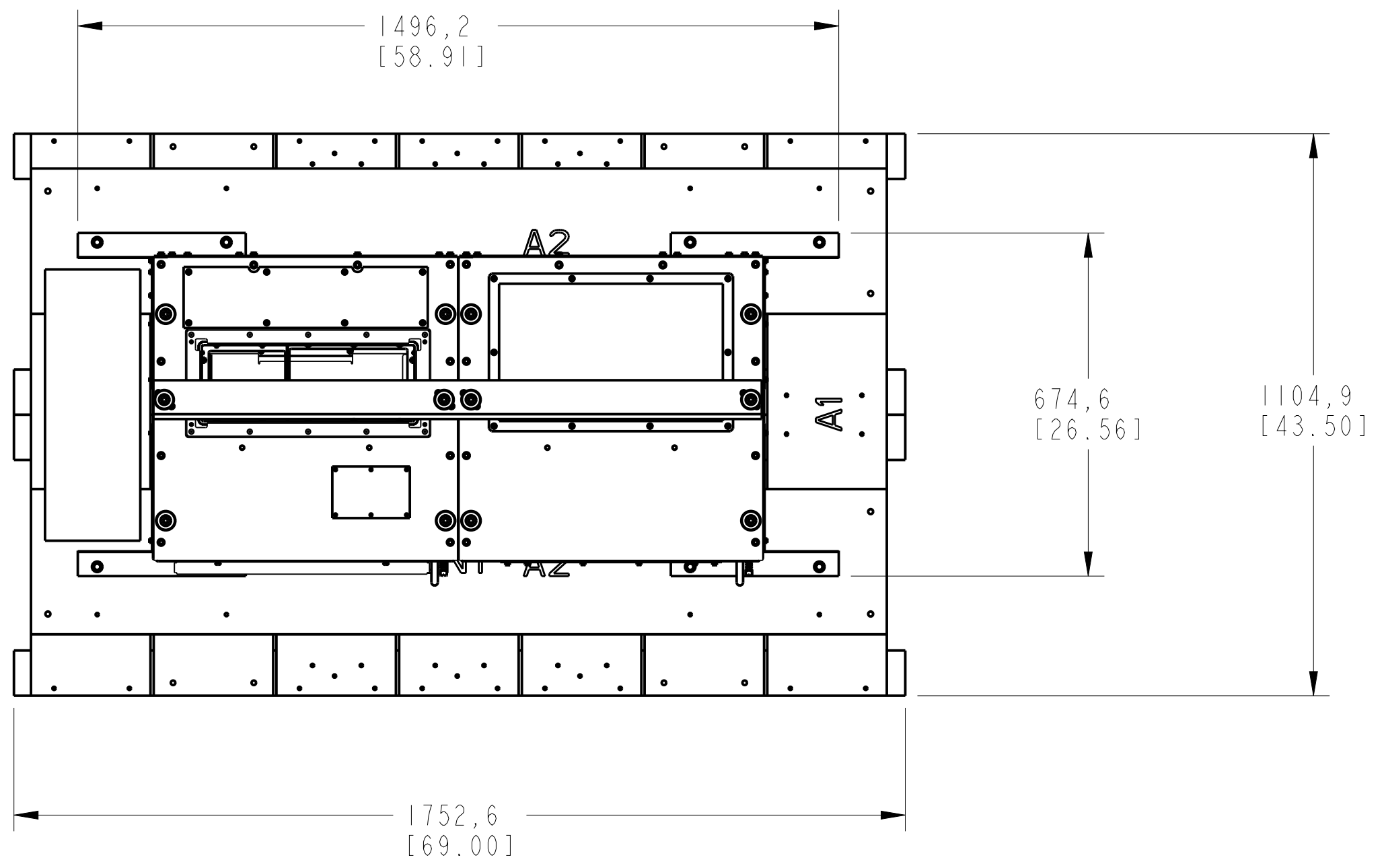
CONFIDENTIAL AND PROPRIETARY INFORMATION
 THIS DOCUMENT CONTAINS CONFIDENTIAL AND PROPRIETARY INFORMATION OF ROCKWELL AUTOMATION, INC. AND MAY NOT BE USED, COPIED OR DISCLOSED TO OTHERS, EXCEPT WITH THE AUTHORIZED WRITTEN PERMISSION OF ROCKWELL AUTOMATION, INC.

Sheet 2 Of 14	Ver
D 1000021813	08

CLASSIFICATION TABLE

P=PERFORMANCE, F=FIT, A=ASSEMBLY (USE ONLY WITH Ø SYMBOL)
 X=IDENTIFIES APPLICABLE CLASSIFICATION(S)
 Ø=REQUIRED BY ENGINEERING AND/OR MANUFACTURING
 ⊕=STRICT CONFORMANCE TO SPECIFICATION REQUIRED AND IS NOT NEGOTIABLE (MAY BE REQUIRED BY REGULATORY AGENCY)

CHARACTERISTIC -OR- DIMENSION	COMMENT	DRAWING LOCATION (ZONE)	P	F	A	R



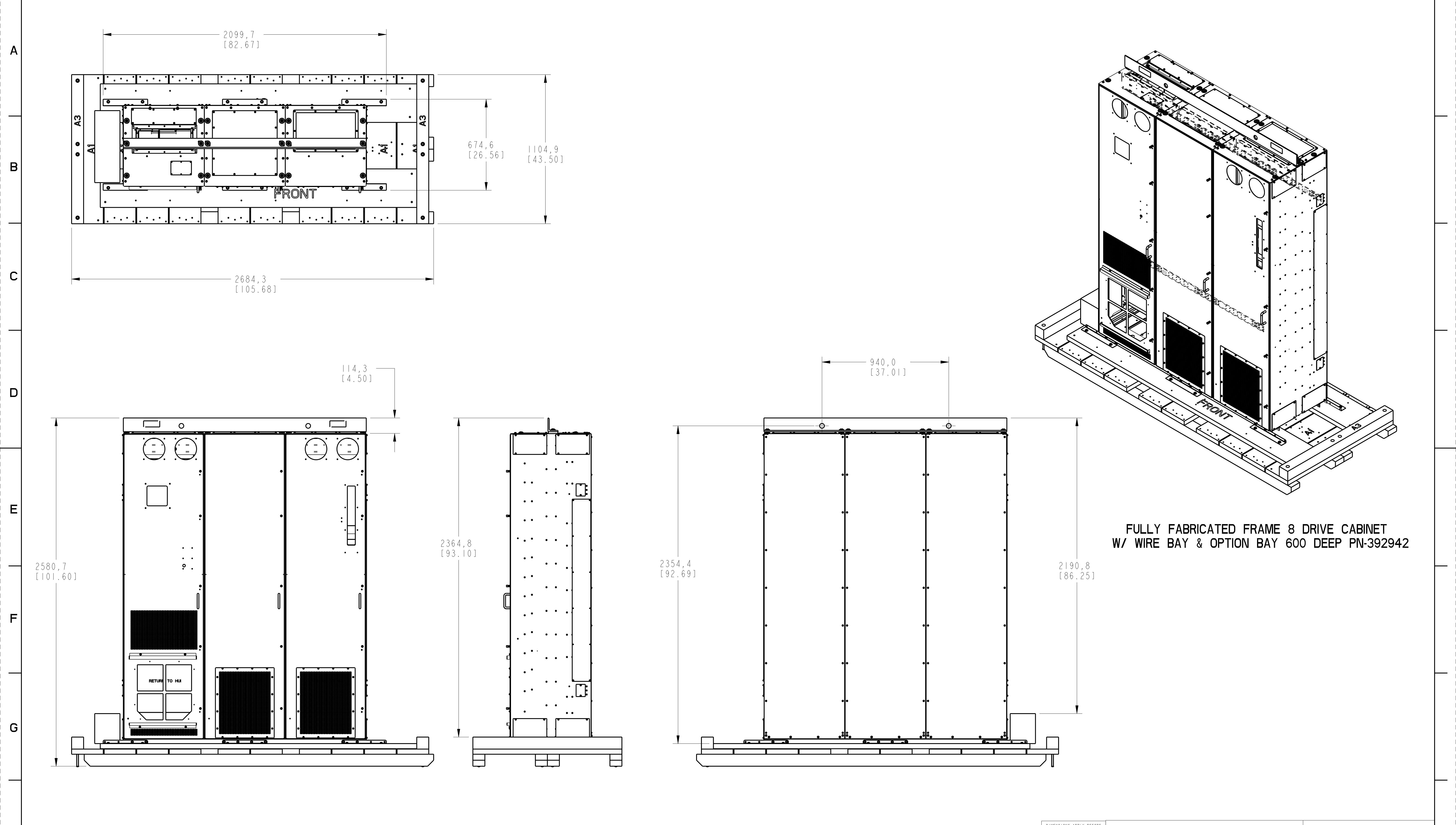
FULLY FABRICATED FRAME 8 DRIVE CABINET
 W/ OPTION BAY 600 DEEP PN-392941

DIMENSIONS APPLY BEFORE SURFACE TREATMENT
 DIMENSIONS IN MILLIMETERS
 TOLERANCES UNLESS OTHERWISE SPECIFIED
 .X: ± 0,8 [0.31]
 .XX: ± 0,50 [0.020]
 ANG: ± 1°

	STANDARD PF750-FRAME-8-AC-600mm WITH OPTION BAY-IP20		CONFIDENTIAL AND PROPRIETARY INFORMATION THIS DOCUMENT CONTAINS CONFIDENTIAL AND PROPRIETARY INFORMATION OF ROCKWELL AUTOMATION, INC. AND MAY NOT BE USED, COPIED OR DISCLOSED TO OTHERS, EXCEPT WITH THE AUTHORIZED WRITTEN PERMISSION OF ROCKWELL AUTOMATION, INC.	
	Drawn by: RSUBRAMI	Date: APR-28-2017	Sheet 3 Of 14	Ver 08

Size D 1000021813

1 2 3 4 5 6 7 8



FULLY FABRICATED FRAME 8 DRIVE CABINET
W/ WIRE BAY & OPTION BAY 600 DEEP PN-392942

DIMENSIONS APPLY BEFORE SURFACE TREATMENT
DIMENSIONS IN MILLIMETERS
TOLERANCES UNLESS OTHERWISE SPECIFIED
X: ± 0.8 [0.31]
XX: ± 0.50 [0.020]
ANG: ± 1°

Rockwell Automation

STANDARD PF750-FRAME-8-AC-600mm
WITH WIRING&OPTION BAY-IP20

Drawn by: RSUBRAMI Date: APR-28-2017

CONFIDENTIAL AND PROPRIETARY INFORMATION
THIS DOCUMENT CONTAINS CONFIDENTIAL AND PROPRIETARY INFORMATION OF ROCKWELL AUTOMATION, INC. AND MAY NOT BE USED, COPIED OR DISCLOSED TO OTHERS, EXCEPT WITH THE AUTHORIZED WRITTEN PERMISSION OF ROCKWELL AUTOMATION, INC.

Sheet 4 Of 14

Size D 10000218183 Ver 08